



US00D631734S

(12) **United States Design Patent**
Fernandez et al.

(10) **Patent No.:** **US D631,734 S**
(45) **Date of Patent:** **** Feb. 1, 2011**

(54) **END BRACKET**

(75) Inventors: **Julio A. Fernandez**, Doonnellon, FL (US); **Robert P. Kundinger, Jr.**, Deland, FL (US)

(73) Assignee: **Clairson, Inc.**, Newark, DE (US)

(**) Term: **14 Years**

(21) Appl. No.: **29/346,266**

(22) Filed: **Oct. 29, 2009**

Related U.S. Application Data

(63) Continuation-in-part of application No. 12/557,489, filed on Sep. 10, 2009, and a continuation-in-part of application No. 29/340,617, filed on Jul. 22, 2009, now Pat. No. Des. 604,598, and a continuation-in-part of application No. 29/340,616, filed on Jul. 22, 2009, now Pat. No. Des. 604,597, and a continuation-in-part of application No. 29/340,615, filed on Jul. 22, 2009, now Pat. No. Des. 604,386, and a continuation-in-part of application No. 29/340,614, filed on Jul. 22, 2009, now Pat. No. Des. 604,152.

(51) **LOC (9) Cl.** **08-05**

(52) **U.S. Cl.** **D8/380**

(58) **Field of Classification Search** D8/381, D8/380, 373, 371, 366, 363, 354, 349; D6/572, D6/567, 553, 512, 491, 466, 449, 418, 407; 52/12, 11; 248/917, 629, 309.1, 300, 261, 248/250, 245, 239, 235, 200

See application file for complete search history.

(56) **References Cited**

U.S. PATENT DOCUMENTS

D5,634 S 3/1872 Wunder

(Continued)

FOREIGN PATENT DOCUMENTS

EP 0338872 A1 10/1989

(Continued)

OTHER PUBLICATIONS

http://www.closetmaid.com/Look/Product_Catalog/product.cfm?product_id=115, 2 pages.

(Continued)

Primary Examiner—Susan Bennett Hattan

(74) *Attorney, Agent, or Firm*—Harness, Dickey & Pierce, P.L.C.

(57) **CLAIM**

The ornamental design for a end bracket, as shown and described.

DESCRIPTION

FIG. 1 is an upper front perspective view of a end bracket, showing our design;

FIG. 2 is a lower front perspective view of the end bracket shown in FIG. 1;

FIG. 3 is an upper back perspective view of the end bracket shown in FIG. 1;

FIG. 4 is an upper back perspective view of the end bracket show in FIG. 1 in an alternate environment;

FIG. 5 is a front view of the end bracket shown in FIG. 1;

FIG. 6 is s a left side view of the end bracket shown in FIG. 1;

FIG. 7 is a right side view of the end bracket shown in FIG. 1;

FIG. 8 is a top view of the end bracket shown in FIG. 1;

FIG. 9 is a bottom view of the end bracket shown in FIG. 1;

FIG. 10 is an upper front perspective view of the end bracket with larger mounting holes (shown in broken lines for illustrative purposes) along the upper portion of the end bracket;

FIG. 11 is an upper back perspective view of the end bracket shown in FIG. 8;

FIG. 12 is an upper front perspective view of the end bracket with mounting anchors (shown in broken lines for illustrative purposes) extending rearwardly from the end bracket;

FIG. 13 is an upper back perspective view of the end bracket shown in FIG. 10;

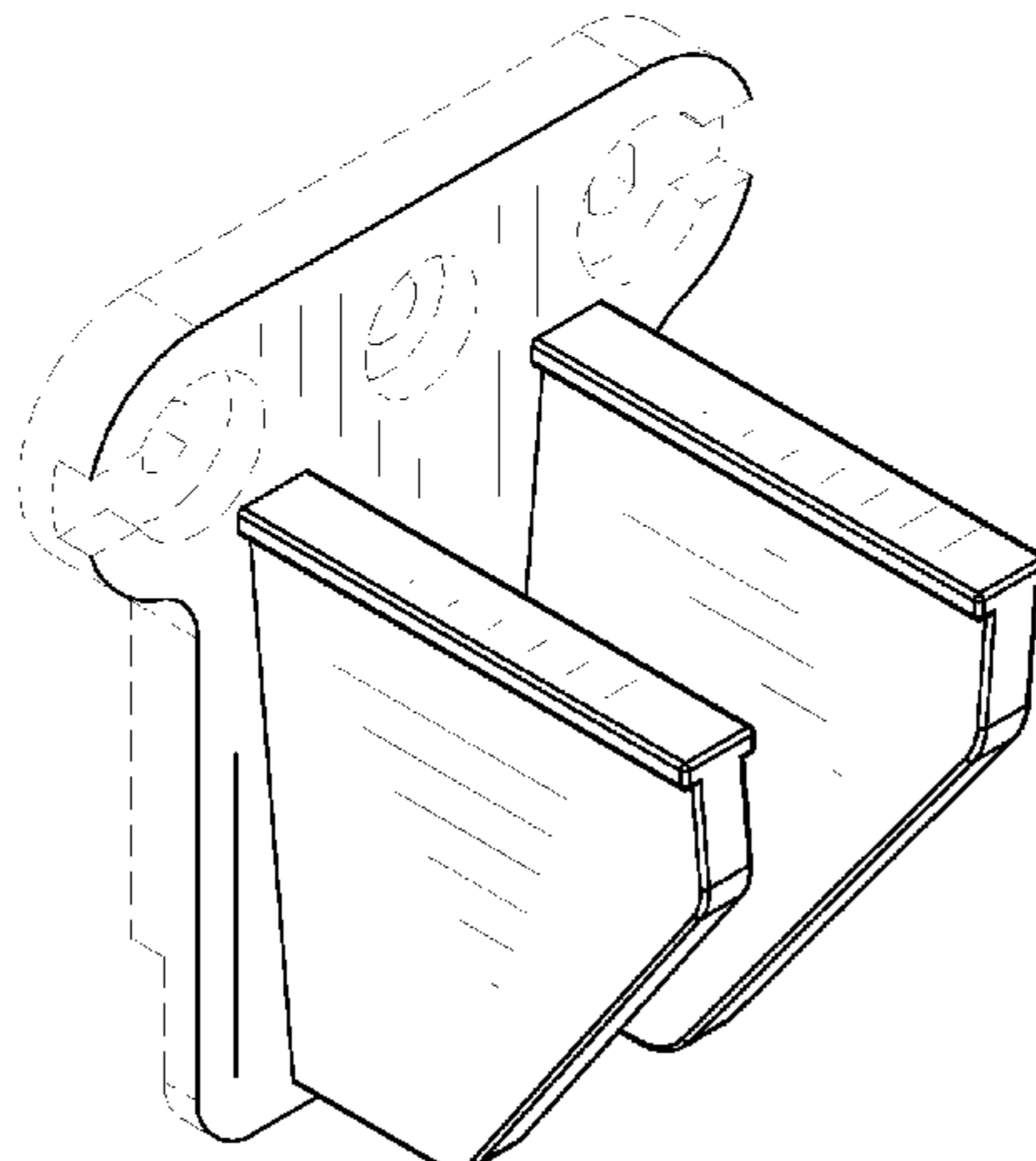
FIG. 14 is an upper front perspective view of the end bracket coupled to a piece (shown in broken lines for illustrative purposes) for supporting a hang rod below the end bracket;

FIG. 15 is an upper back perspective view of the end bracket shown in FIG. 12; and,

FIG. 16 is a front view of the end bracket shown in FIG. 12.

The details shown in broken lines depict environmental subject matter only and form no part of the claimed design.

1 Claim, 10 Drawing Sheets



US D631,734 S

Page 2

U.S. PATENT DOCUMENTS					
			5,074,223 A	12/1991	Remmers
1,006,328 A	10/1911	Widenhofer	D323,452 S	1/1992	Stumpf et al.
D78,426 S	4/1929	Whincap	D323,715 S	2/1992	Bodurow et al.
1,793,036 A	2/1931	Whitney	5,086,936 A	2/1992	Remmers
1,997,432 A	4/1935	Replogle	D326,603 S	6/1992	Rogers
2,020,991 A	11/1935	Brody	D326,605 S	6/1992	Nakanura
2,057,429 A	10/1936	Heim	5,119,945 A	6/1992	Wiggins
D108,811 S	3/1938	Snyder	5,133,463 A	7/1992	Merl
2,266,274 A	12/1941	Schroeder	D334,497 S	4/1993	Putty
2,299,885 A	10/1942	Ellsworth et al.	D336,605 S	6/1993	Lemmerman et al.
2,441,721 A	5/1948	Schroeder	D340,639 S	10/1993	Remmers
2,528,358 A	10/1950	Grass	D342,015 S	12/1993	Andrejew
2,651,489 A	9/1953	Bell	D348,826 S	7/1994	McCaffrey
2,683,890 A	7/1954	Rosenbaum	5,326,062 A	7/1994	Remmers
2,683,891 A	7/1954	Rosenbaum	5,330,063 A	7/1994	Remmers
2,767,951 A	10/1956	Cousino	5,351,842 A	10/1994	Remmers
2,809,002 A	10/1957	Rudolph	D353,500 S	12/1994	Remmers
D189,163 S	11/1960	Growe	5,386,959 A	2/1995	Laughlin et al.
3,221,894 A	12/1965	Knuth	5,407,084 A	4/1995	Remmers
3,263,951 A	8/1966	Stokes	5,492,295 A	2/1996	Remmers
3,410,231 A	11/1968	Fletcher	D369,293 S	4/1996	Gusdorf et al.
3,476,008 A	11/1969	Pearson et al.	5,531,416 A	7/1996	Remmers
3,499,541 A	3/1970	Mackie	5,533,851 A	7/1996	Remmers
3,563,182 A	2/1971	MacFarlane et al.	D373,719 S	9/1996	Lin
3,621,751 A	11/1971	Fiorentino	5,580,018 A	12/1996	Remmers
3,640,389 A	2/1972	Snyder	5,584,405 A	12/1996	Tunzi
D227,742 S	7/1973	Logdson	5,645,182 A	7/1997	Miller, Jr. et al.
3,756,115 A	9/1973	Schuplin	D392,553 S	3/1998	Dill
3,760,744 A	9/1973	Cruckshank	5,738,477 A	4/1998	McCorkle et al.
D228,852 S	10/1973	Vogelhuber et al.	D394,203 S	5/1998	Nadar
D240,502 S	7/1976	Daniels	5,752,610 A	5/1998	Remmers
3,978,799 A	9/1976	Escalette	5,755,414 A	5/1998	Remmers
3,998,170 A	12/1976	Gordon	D394,999 S	6/1998	Phillip
D244,668 S	6/1977	Tegner	5,758,851 A	6/1998	Remmers
4,098,480 A	7/1978	Neumann	5,788,093 A	8/1998	Krut
4,125,050 A	11/1978	Schwartzman et al.	5,833,193 A	11/1998	Derda et al.
4,155,312 A	5/1979	Thorkildson	D402,536 S	12/1998	Cousins
4,209,111 A	6/1980	Lotspeich et al.	D403,234 S	12/1998	Nagato
D258,489 S	3/1981	Gipson	D408,175 S	4/1999	Daniels et al.
4,523,722 A	6/1985	Cohen et al.	D409,866 S	5/1999	West
D279,959 S	8/1985	Nimmo et al.	D411,738 S	6/1999	Raasch et al.
4,533,056 A	8/1985	Krikorian	5,909,936 A	6/1999	Daniels et al.
4,548,327 A	10/1985	Kilkelly	5,921,412 A	7/1999	Merl
4,603,781 A	8/1986	Ryan, Jr.	5,934,631 A	8/1999	Becker et al.
D288,528 S	3/1987	Parad	6,053,465 A	4/2000	Kluge
4,646,998 A	3/1987	Pate	D423,917 S	5/2000	Remmers et al.
D289,605 S *	5/1987	Lytle D8/381	D427,466 S	7/2000	Remmers
4,671,419 A	6/1987	Beverly	D437,515 S	2/2001	Remmers et al.
D291,646 S	9/1987	Koziol	6,189,527 B1	2/2001	Walsh et al.
4,693,380 A	9/1987	Muth	D443,456 S	6/2001	Horsten
4,708,552 A	11/1987	Bustos et al.	6,279,467 B1	8/2001	Tiemann
D293,416 S	12/1987	Krueger	6,402,108 B1	6/2002	Remmers
4,720,016 A	1/1988	Kay	6,443,318 B1	9/2002	Welsch
4,728,238 A	3/1988	Chisholm et al.	6,457,594 B1	10/2002	Tiemann
4,732,284 A	3/1988	Remmers	6,467,860 B2	10/2002	Remmers
D295,182 S	4/1988	Remmers	6,494,653 B2	12/2002	Remmers
4,735,325 A	4/1988	Remmers	D470,398 S	2/2003	Remmers
D295,472 S	5/1988	Remmers	D477,144 S	7/2003	Remmers
4,781,349 A	11/1988	Remmers	D478,801 S	8/2003	Spruill
4,783,035 A	11/1988	Remmers	6,626,509 B2	9/2003	Remmers
D298,801 S	12/1988	Satoh	D482,601 S	11/2003	Chen
D299,212 S	1/1989	Murphy	6,669,154 B1	12/2003	Remmers
D299,436 S	1/1989	Muth	D484,779 S	1/2004	Shibuya
4,795,041 A	1/1989	Remmers	D485,109 S	1/2004	Oberhaus
4,804,159 A	2/1989	Martel	D490,690 S	6/2004	Brass et al.
4,838,451 A	6/1989	Arkell et al.	D497,738 S	11/2004	Sparkowski
D305,272 S	12/1989	Remmers	6,840,593 B2	1/2005	Remmers
4,890,839 A	1/1990	Ayotte	D506,385 S	6/2005	Brown
D310,623 S	9/1990	Aranibar	6,915,913 B2	7/2005	Cardinell
D311,860 S	11/1990	Remmers	6,953,176 B2	10/2005	Remmers
D312,389 S	11/1990	Remmers	D513,970 S	1/2006	Sterling et al.
D319,573 S	9/1991	Rogers	7,004,335 B2	2/2006	Remmers
			7,021,730 B2	4/2006	Remmers

US D631,734 S

Page 3

D522,848 S	6/2006	Nawrocki	D602,770 S	10/2009	Fernandez
D522,852 S	6/2006	Nawrocki	D609,081 S *	2/2010	Gulley D8/380
D523,327 S	6/2006	Clarke	2002/0090278 A1	7/2002	Lai
7,063,491 B2	6/2006	French	2002/0153335 A1	10/2002	Robideau
D525,115 S	7/2006	Harwanko	2002/0166934 A1	11/2002	Marsh
D525,811 S	8/2006	Nawrocki	2003/0231941 A1	12/2003	Kenny
D526,519 S	8/2006	Nawrocki	2005/0109720 A1	5/2005	Marchetta
D526,887 S	8/2006	Remmers et al.	2005/0145147 A1	7/2005	Costa et al.
7,086,543 B2	8/2006	Remmers	2005/0148942 A1	7/2005	Newby et al.
7,090,317 B2	8/2006	Remmers	2005/0247651 A1	11/2005	Craft
D527,559 S	9/2006	Remmers	2006/0011568 A1	1/2006	Remmers et al.
D527,935 S	9/2006	Remmers	2006/0113443 A1	6/2006	Remmers
D531,019 S	10/2006	Plumer	2006/0130983 A1	6/2006	Nien
D531,891 S	11/2006	Nawrocki	2006/0175495 A1	8/2006	Gregory
7,174,605 B1	2/2007	Nawrocki	2007/0023374 A1	2/2007	Nawrocki
7,185,772 B2	3/2007	Remmers	2007/0068887 A1	3/2007	Nawrocki
7,188,740 B2	3/2007	Marchetta et al.	2007/0101545 A1	5/2007	Nawrocki
D543,094 S	5/2007	Remmers	2007/0102604 A1	5/2007	Nawrocki
7,225,237 B1	5/2007	Tenereillo	2007/0108146 A1	5/2007	Nawrocki
D544,260 S	6/2007	Nawrocki	2007/0108148 A1	5/2007	Stitchick et al.
D544,261 S	6/2007	Nawrocki	2007/0114197 A1	5/2007	Remmers
D547,163 S	7/2007	Xayoiphonh	2007/0114348 A1	5/2007	Nawrocki
D547,164 S	7/2007	Xayoiphonh	2007/0119805 A1	5/2007	Nawrocki
D547,640 S	7/2007	Remmers	2007/0134072 A1	6/2007	Su
7,240,803 B2	7/2007	Stitchick et al.	2007/0137417 A1	6/2007	Nawrocki et al.
D550,072 S	9/2007	Ardern	2007/0159040 A1	7/2007	Fernandez et al.
D550,540 S	9/2007	Nawrocki	2007/0187561 A1	8/2007	Xayoiphonh
D551,062 S	9/2007	Nawrocki	2007/0205172 A1	9/2007	Stitchick et al.
D551,884 S	10/2007	Remmers	2008/0047098 A1	2/2008	Nawrocki
D553,485 S	10/2007	Hall			
7,296,697 B2	11/2007	Costa et al.			
D559,090 S	1/2008	Nawrocki			
7,314,144 B2	1/2008	Stitchick et al.			
D562,670 S	2/2008	Rogers et al.			
D567,074 S	4/2008	Gallien			
D569,715 S	5/2008	Fernandez			
D578,869 S	10/2008	Fernandez			
D580,258 S	11/2008	Fernandez			
D581,260 S	11/2008	Fernandez			
D581,776 S	12/2008	Yin-Feng			
7,458,548 B2	12/2008	Franzone et al.			
D585,730 S	2/2009	Fernandez			
D587,562 S	3/2009	Fernandez			
D589,780 S	4/2009	Fernandez			
D590,240 S	4/2009	Hutter, III			
D596,931 S	7/2009	Fernandez			

FOREIGN PATENT DOCUMENTS

FR	2717994 A1	10/1995
GB	2153205 A	8/1985
GB	2180141 A	3/1987
GB	2229625 A	10/1990
JP	10002663	1/1998
WO	WO 2004/056236	7/2004

OTHER PUBLICATIONS

http://www.closetmaid.com/pdfs/ARCHITECT_SS.pdf, 2 pages.
 Reissue U.S. Appl. No. 11/014,663, filed Dec. 16, 2004 (Remmers).

* cited by examiner

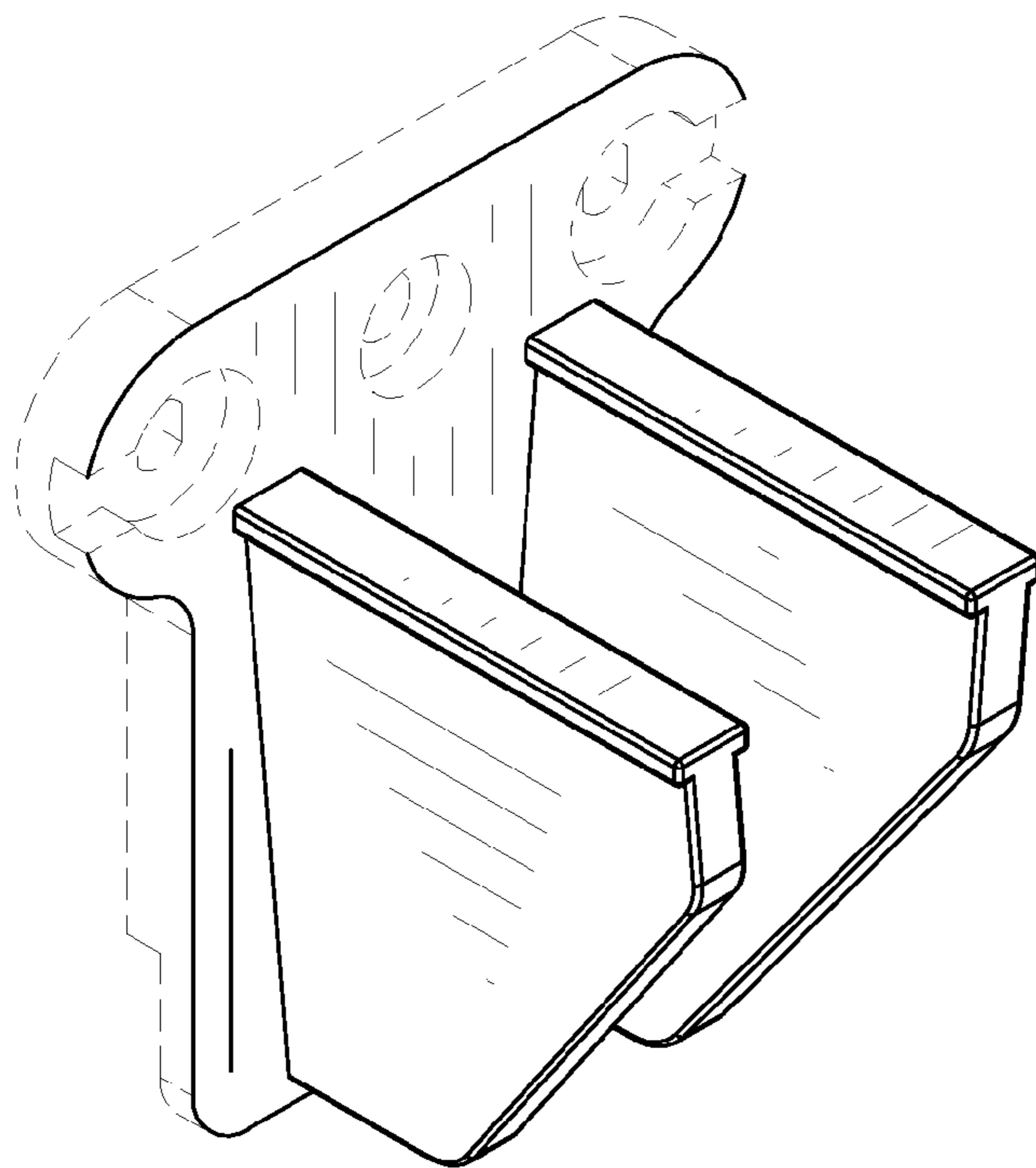


Fig. 1

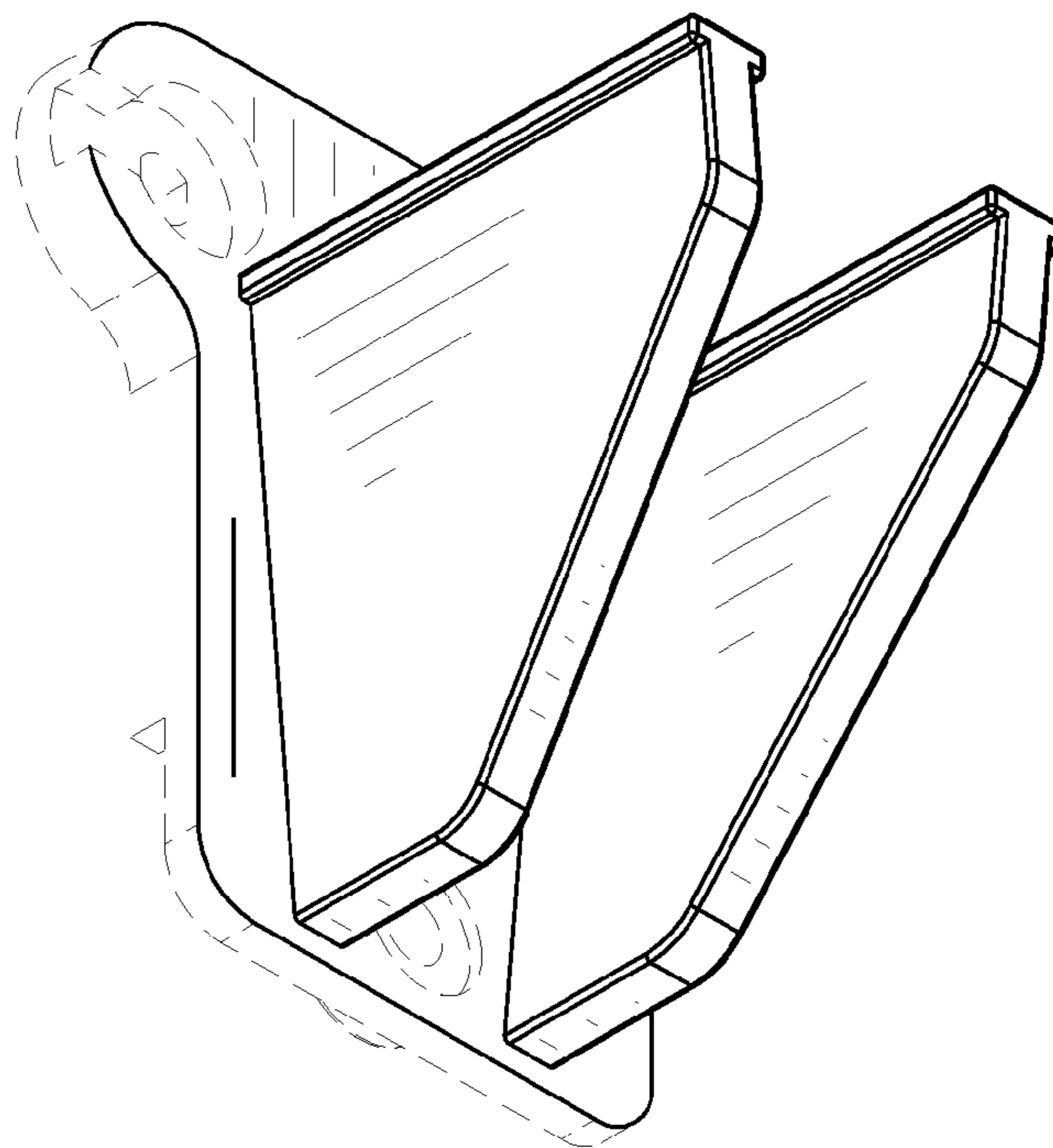


Fig. 2

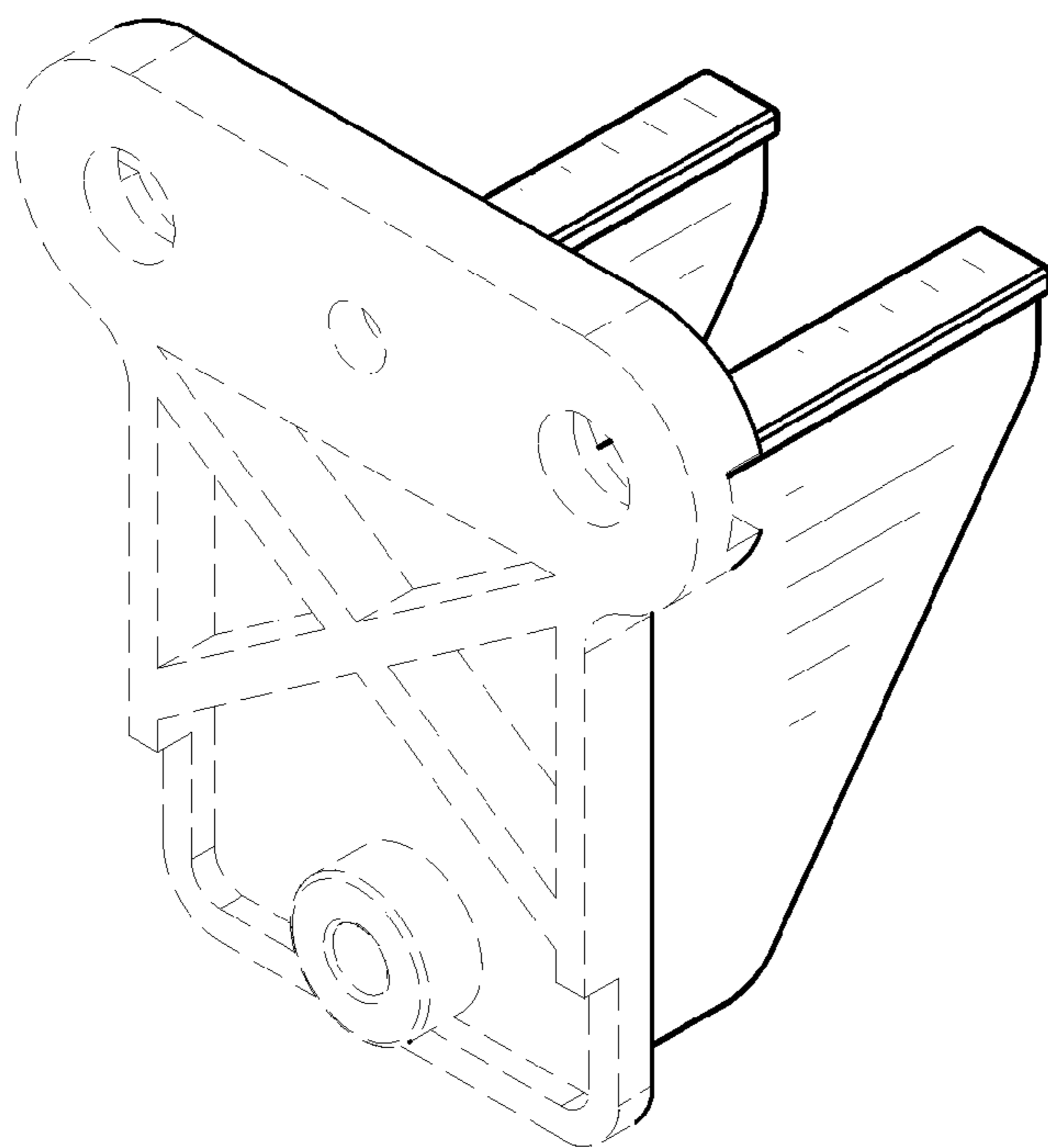


Fig. 3

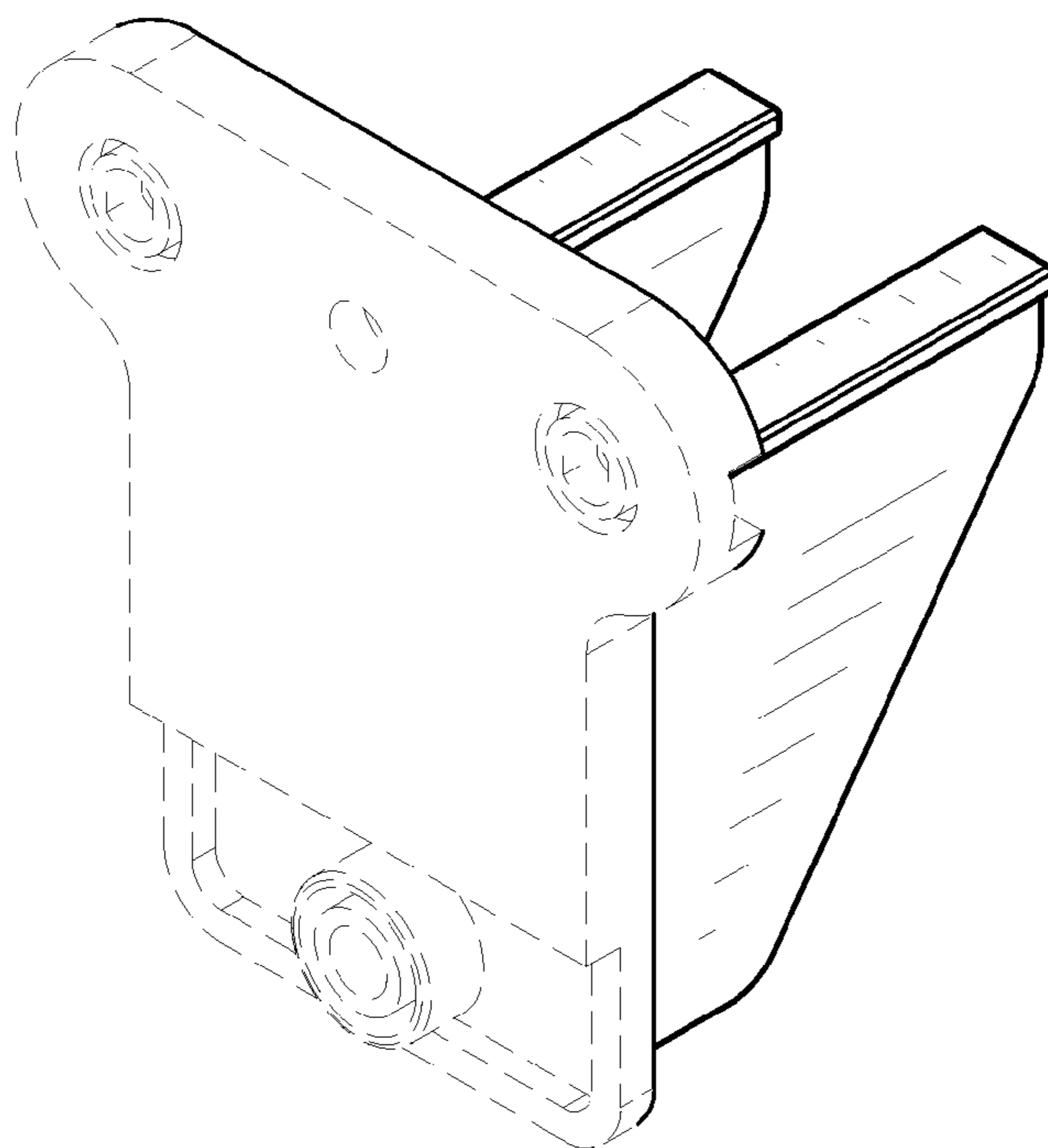


Fig. 4

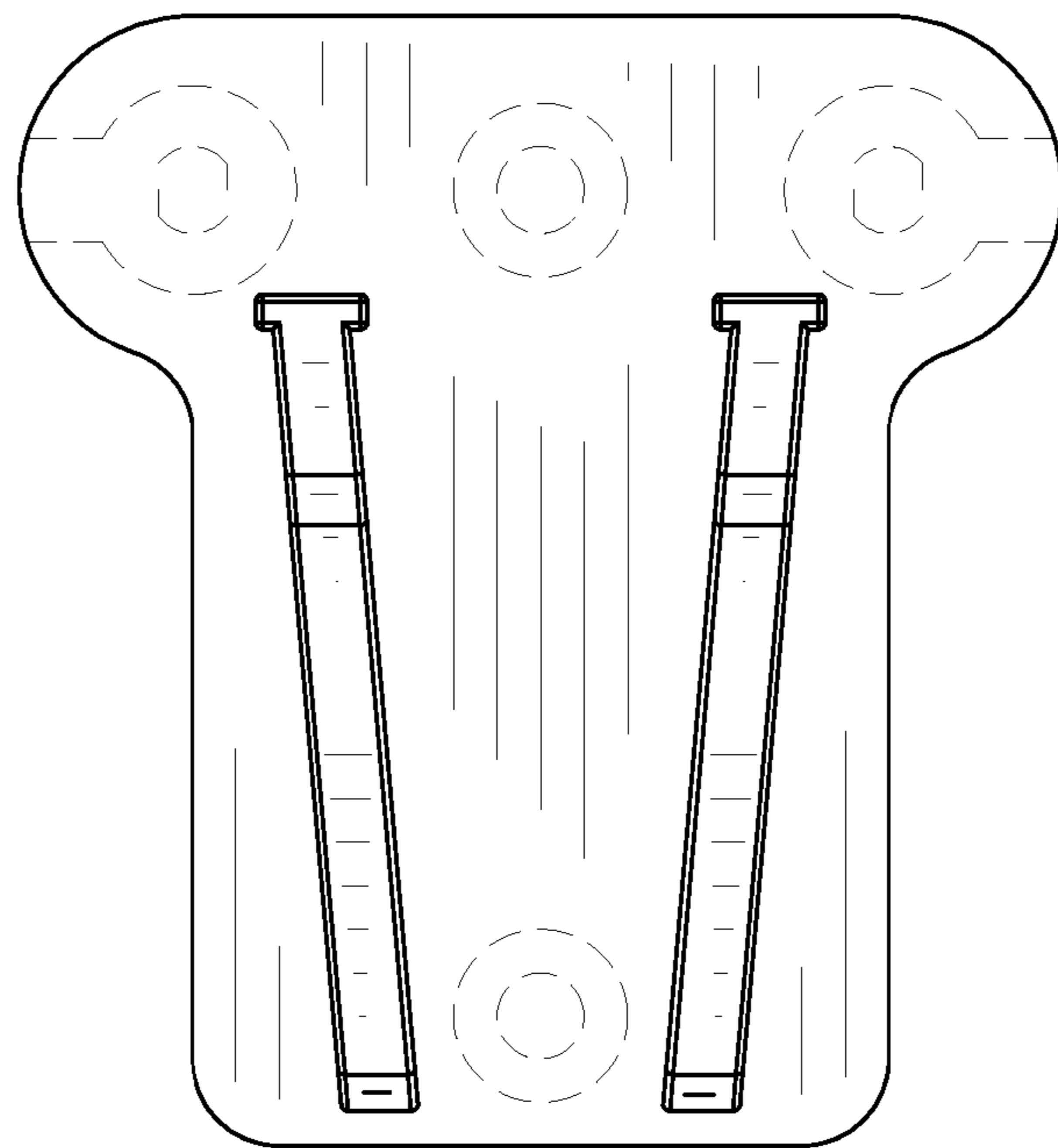


Fig. 5

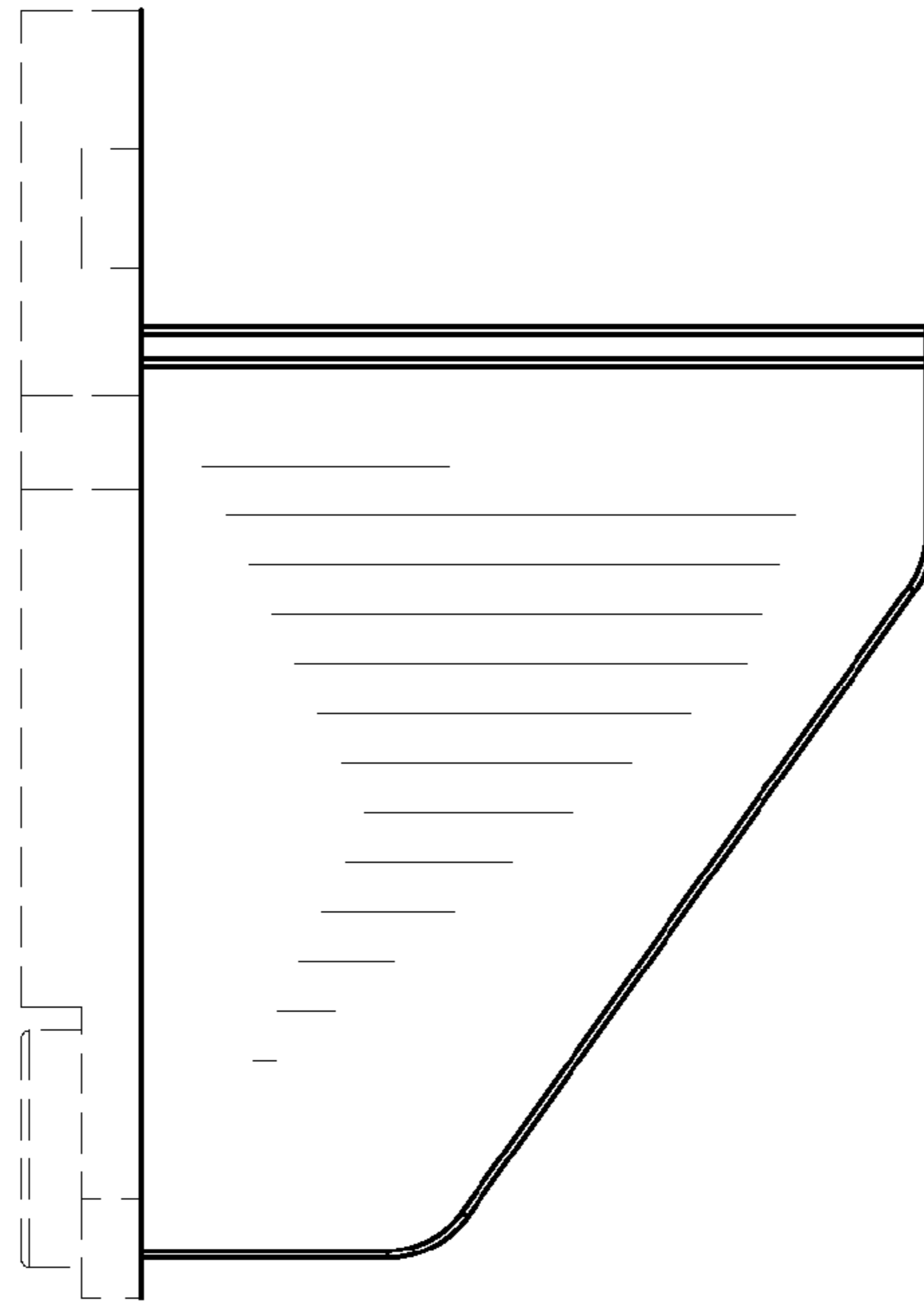


Fig. 6

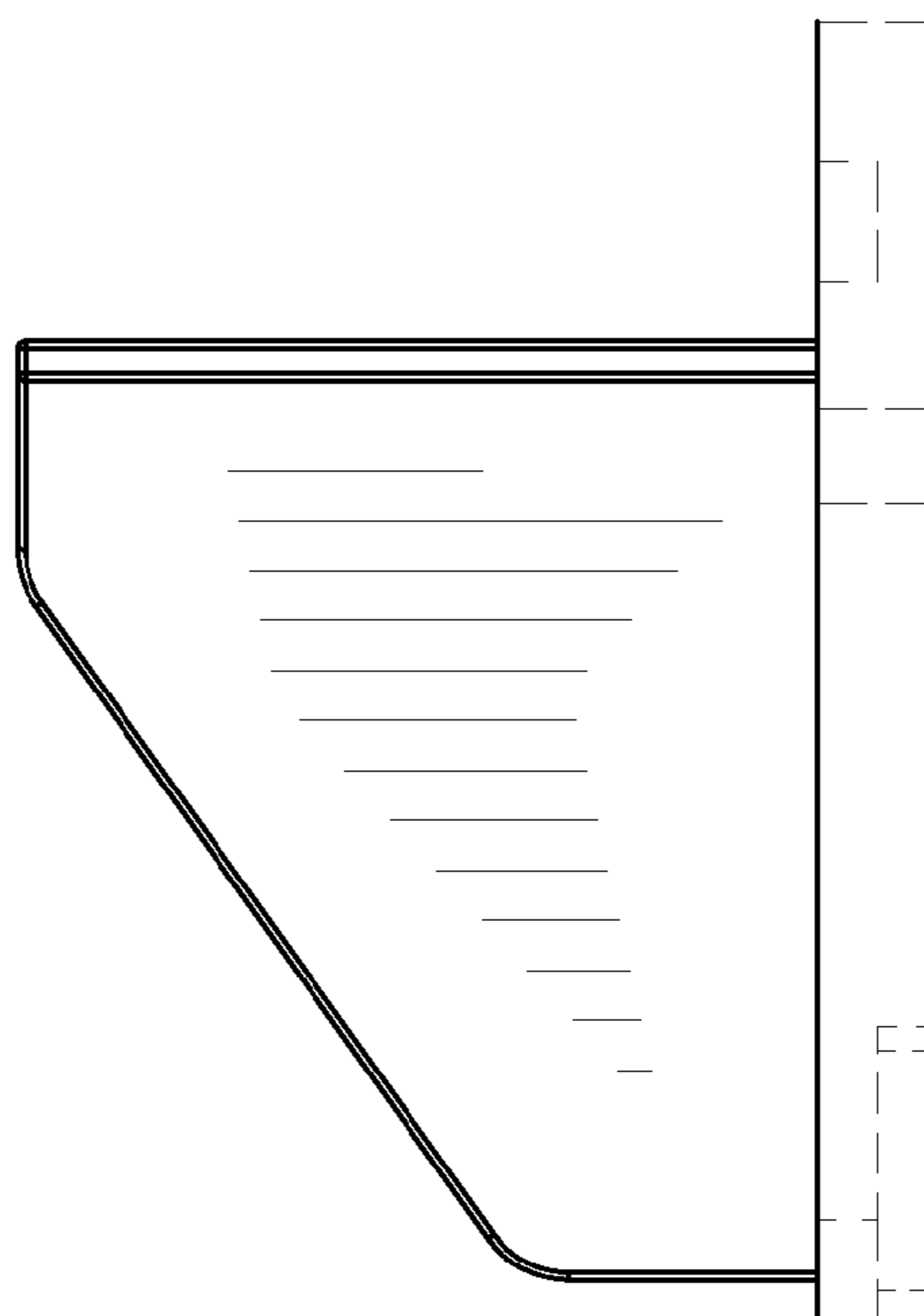


Fig. 7

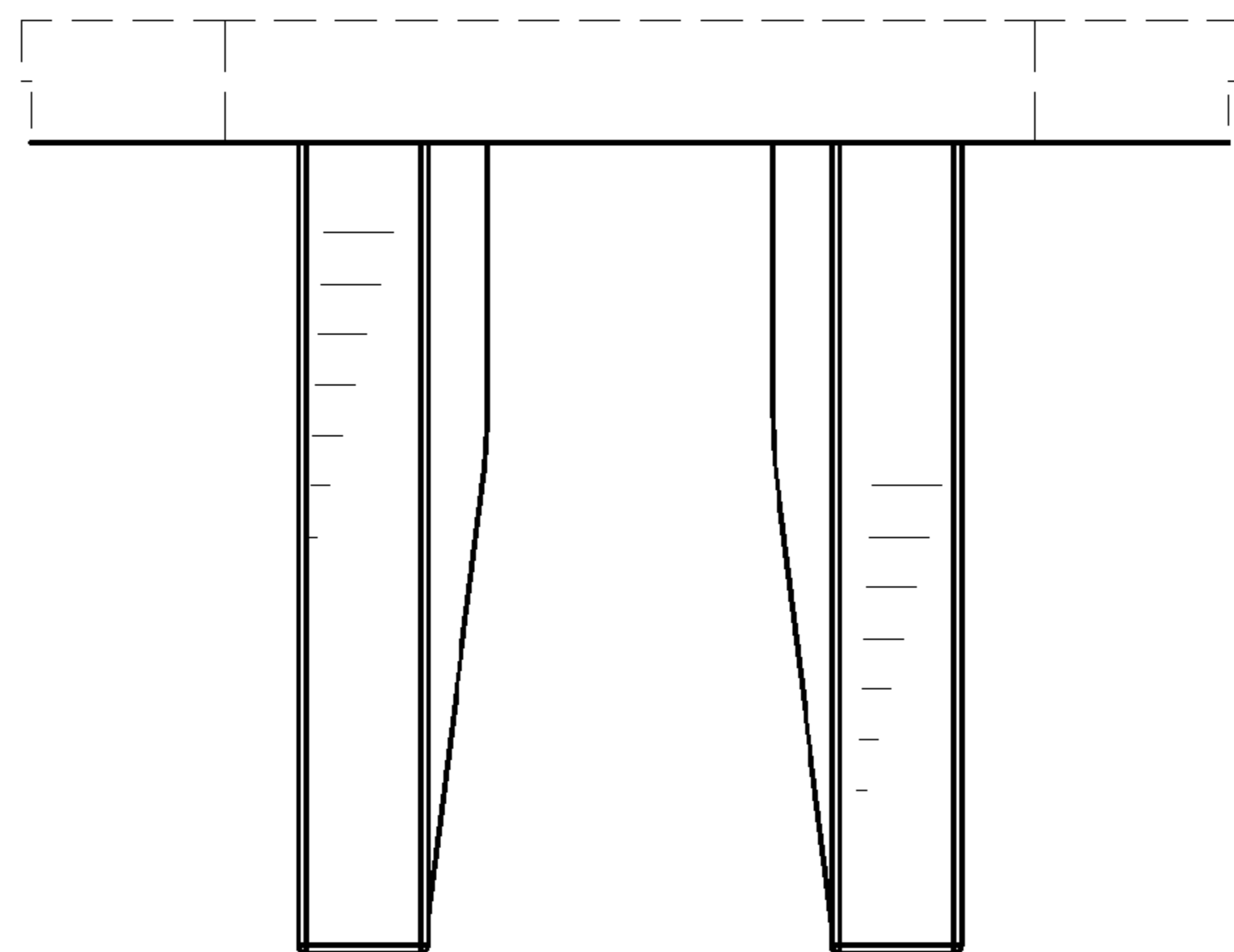


Fig. 8

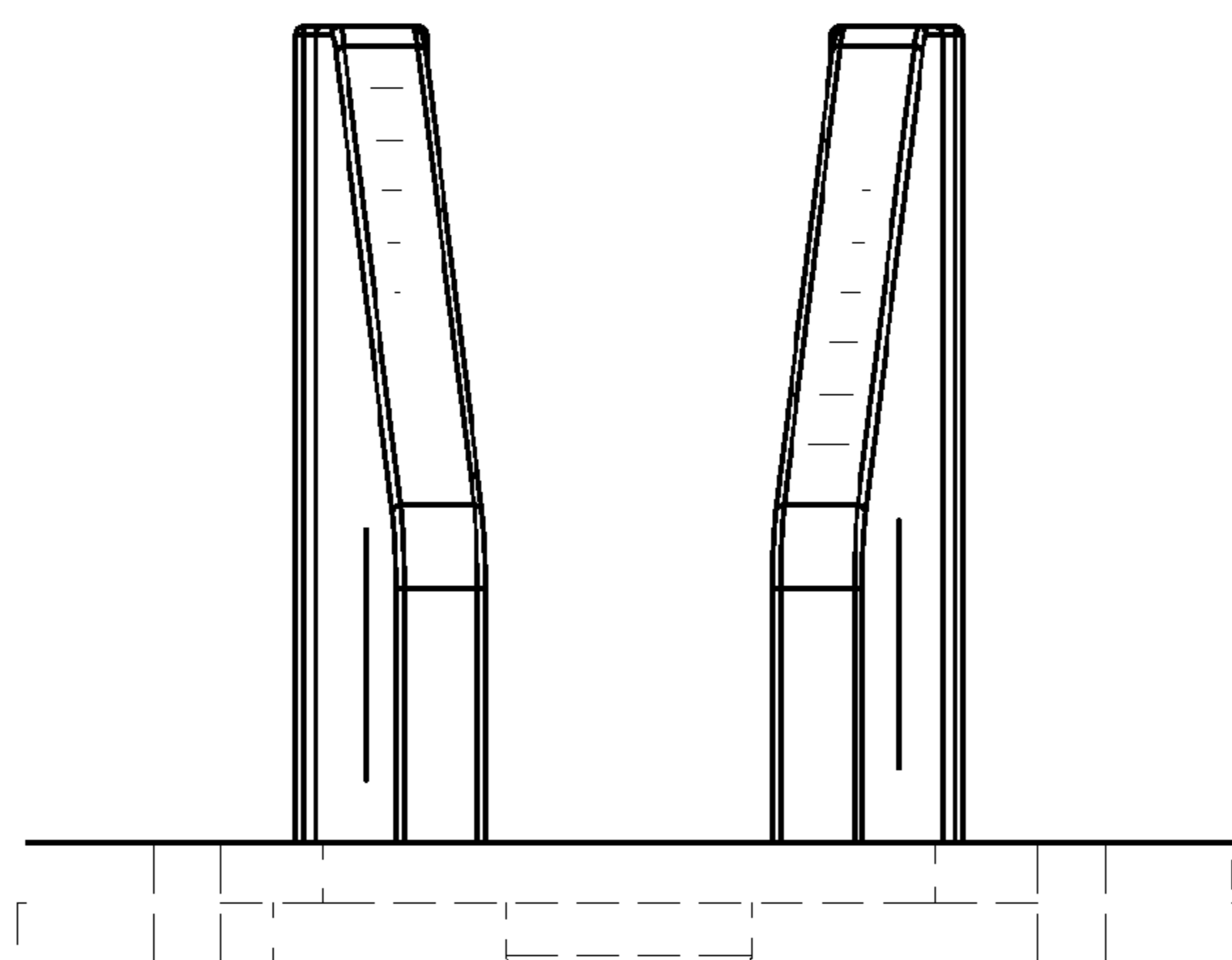


Fig. 9

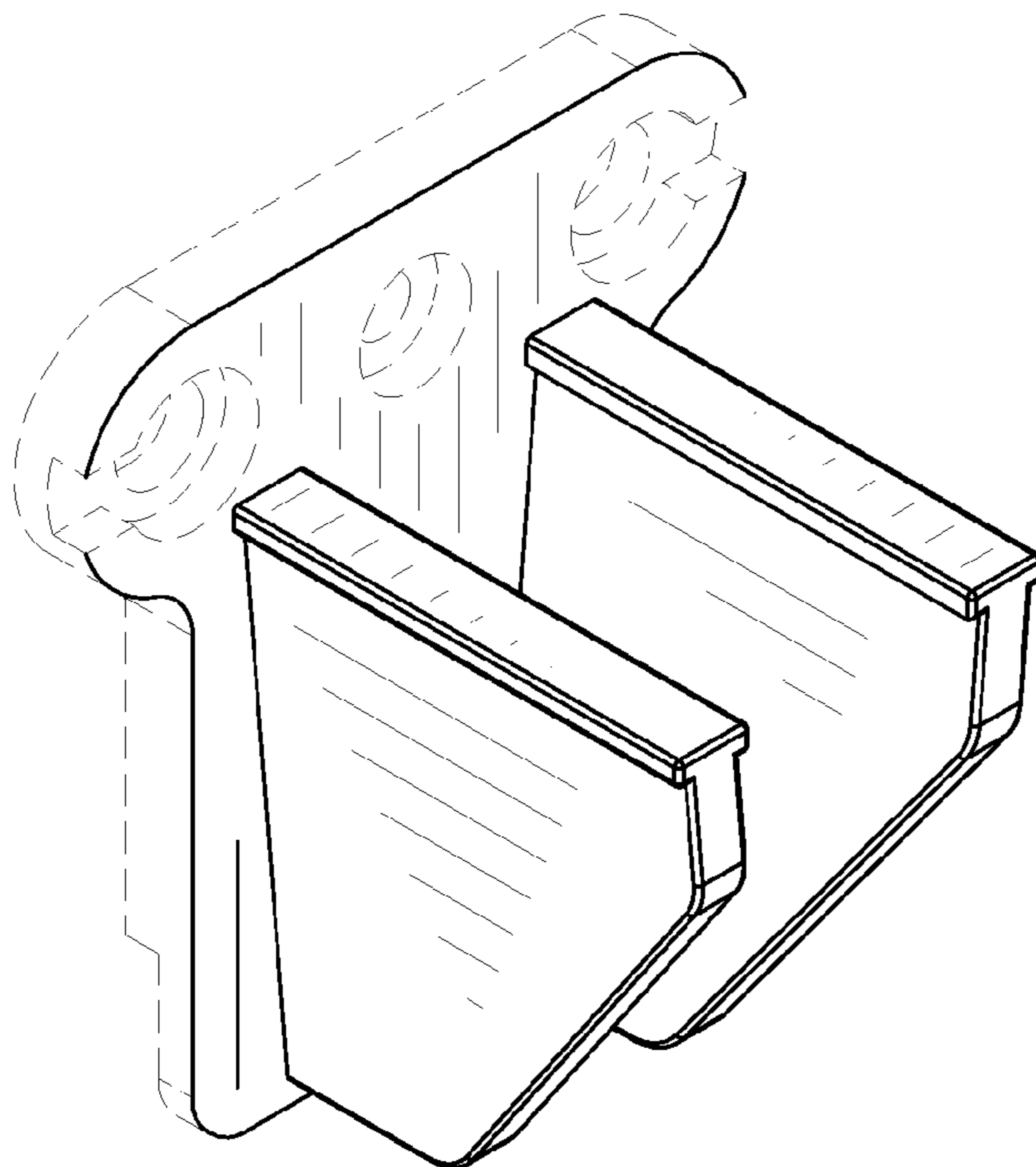


Fig. 10

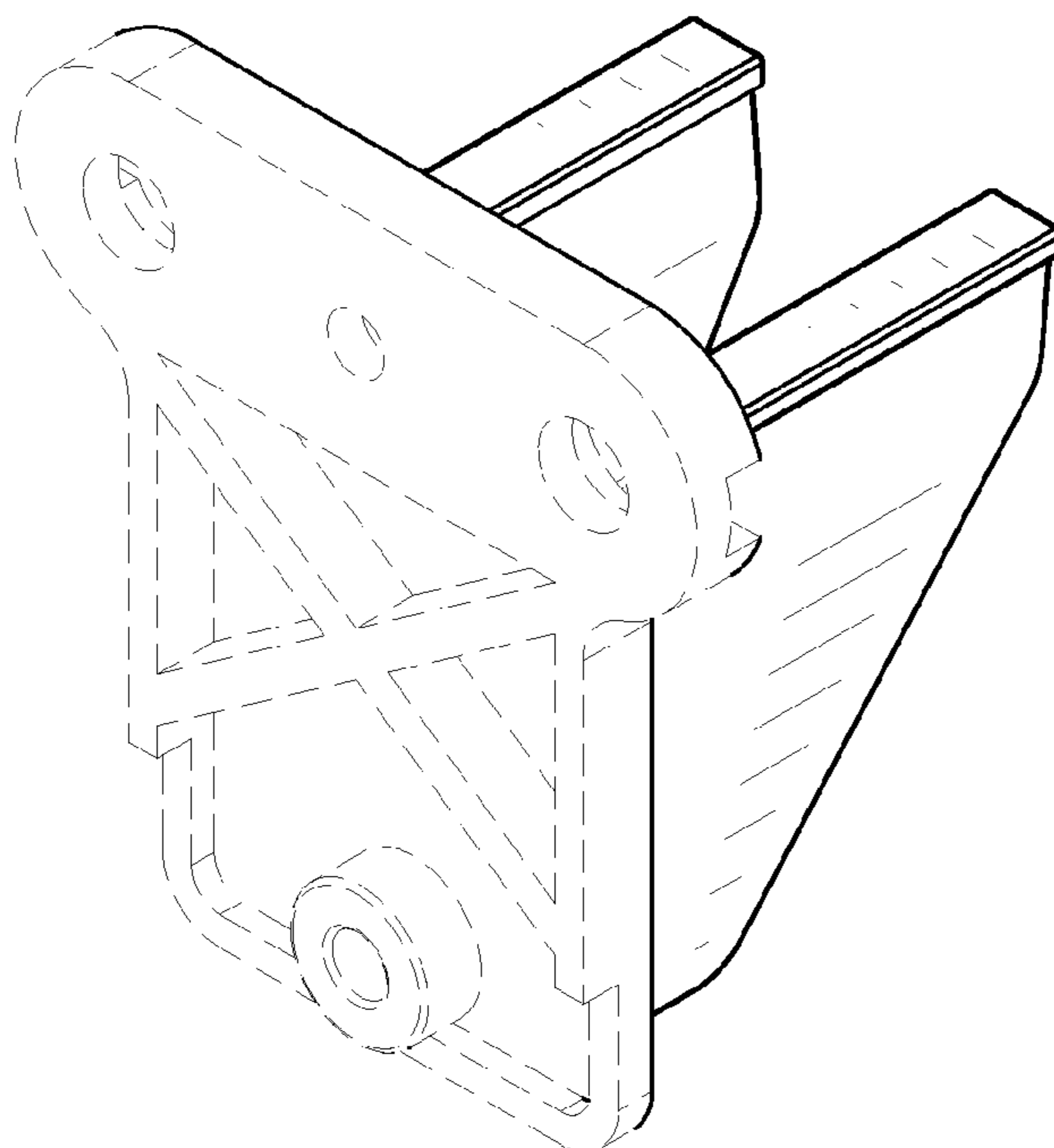


Fig. 11

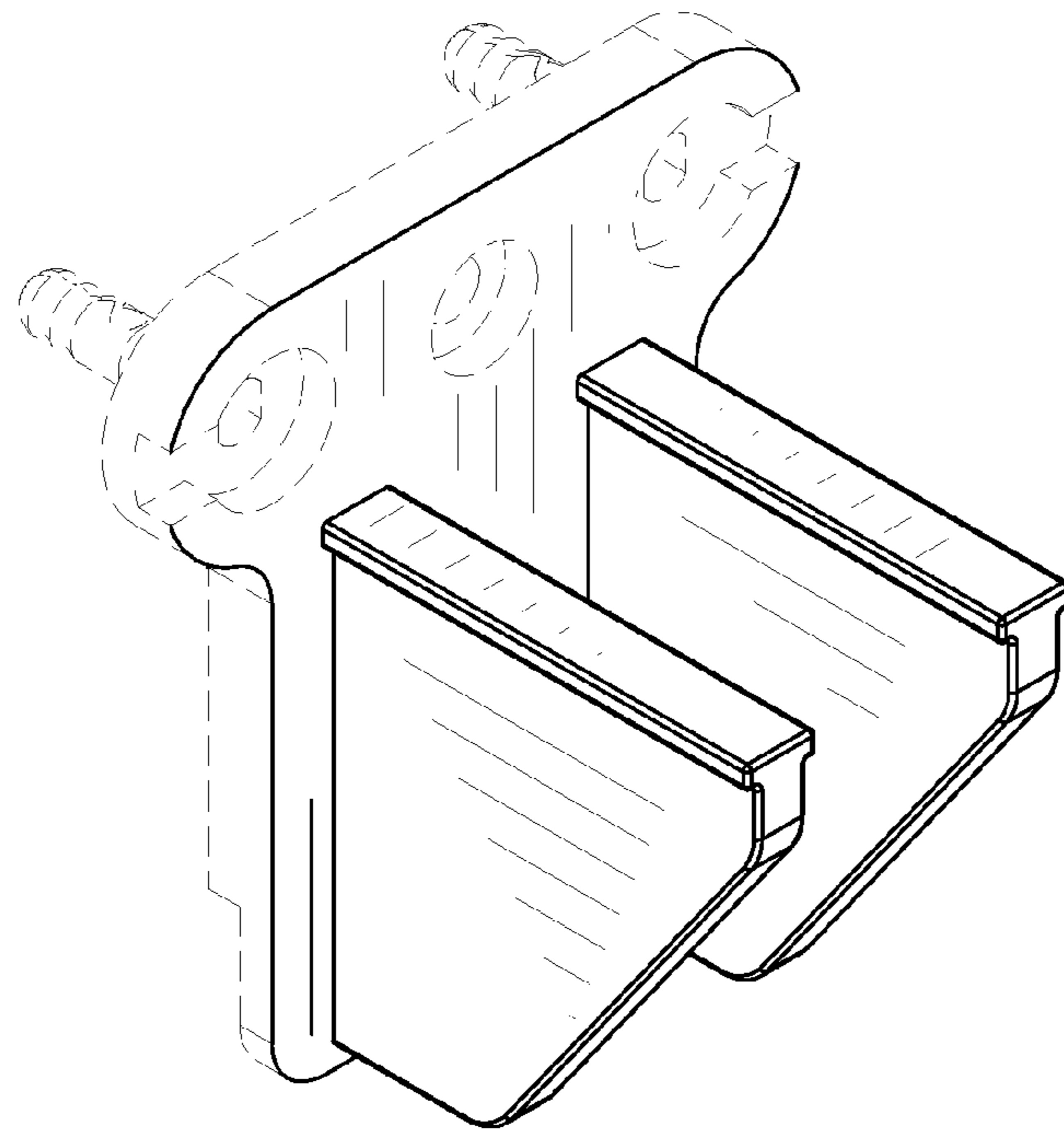


Fig. 12

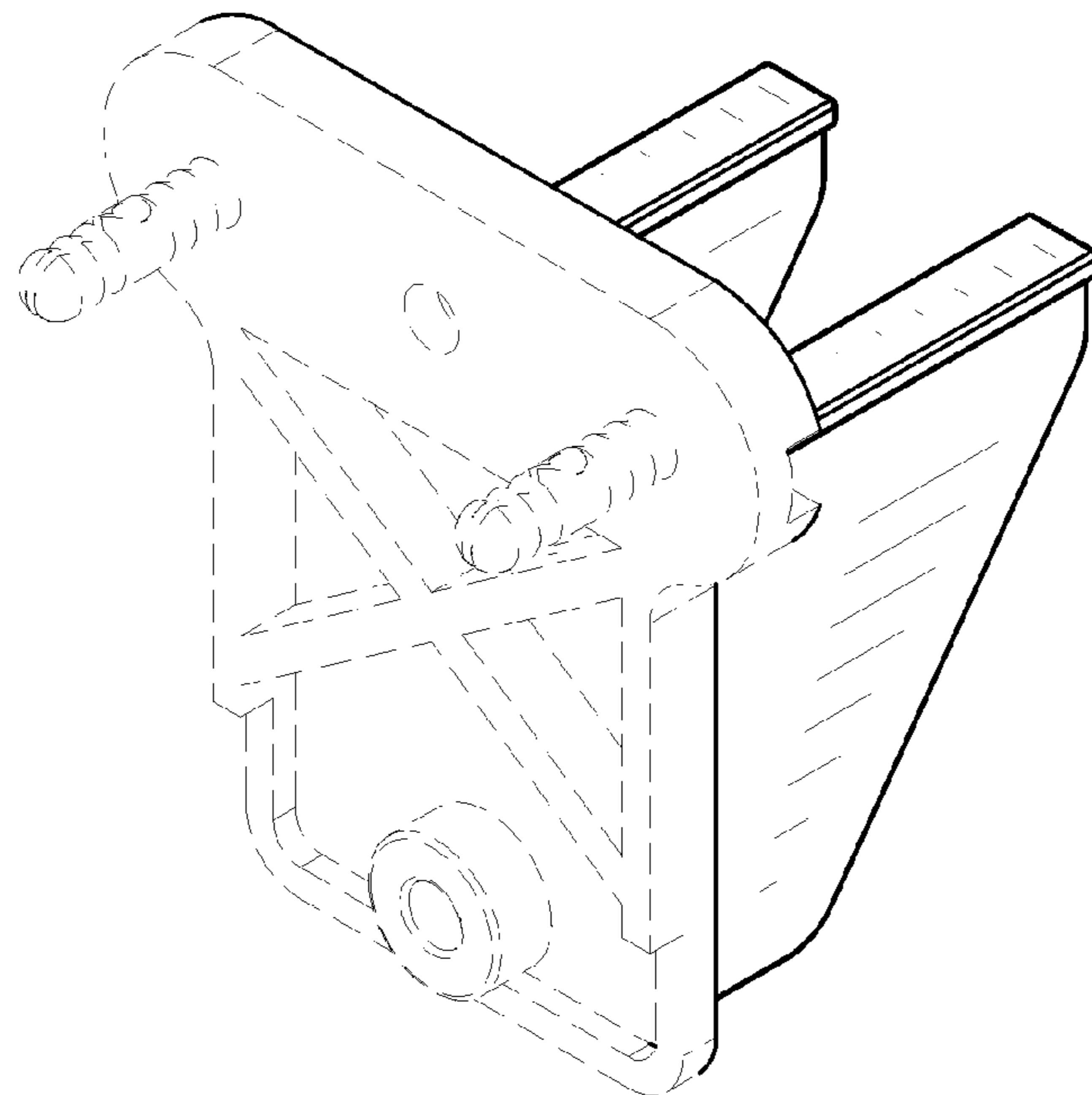


Fig. 13

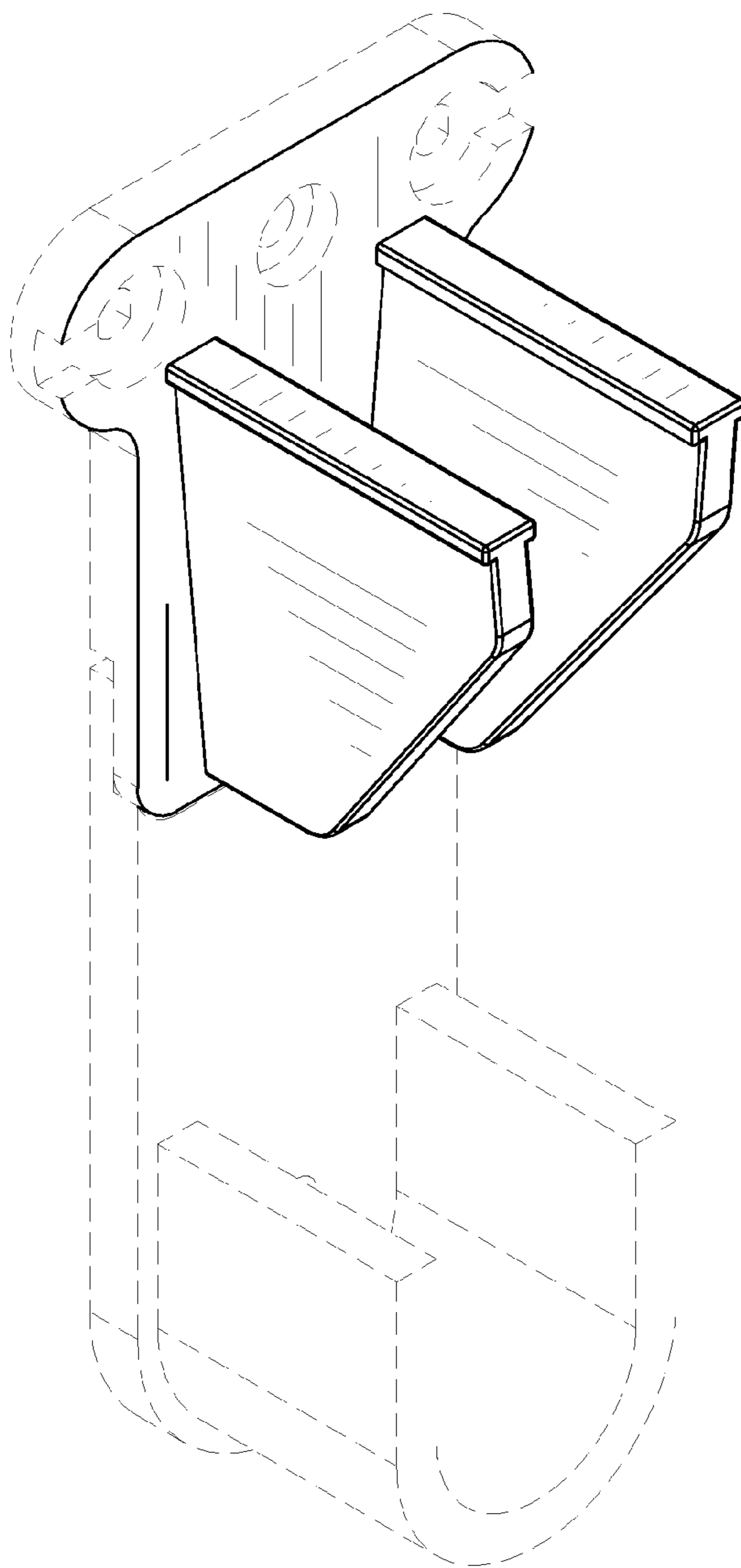


Fig. 14

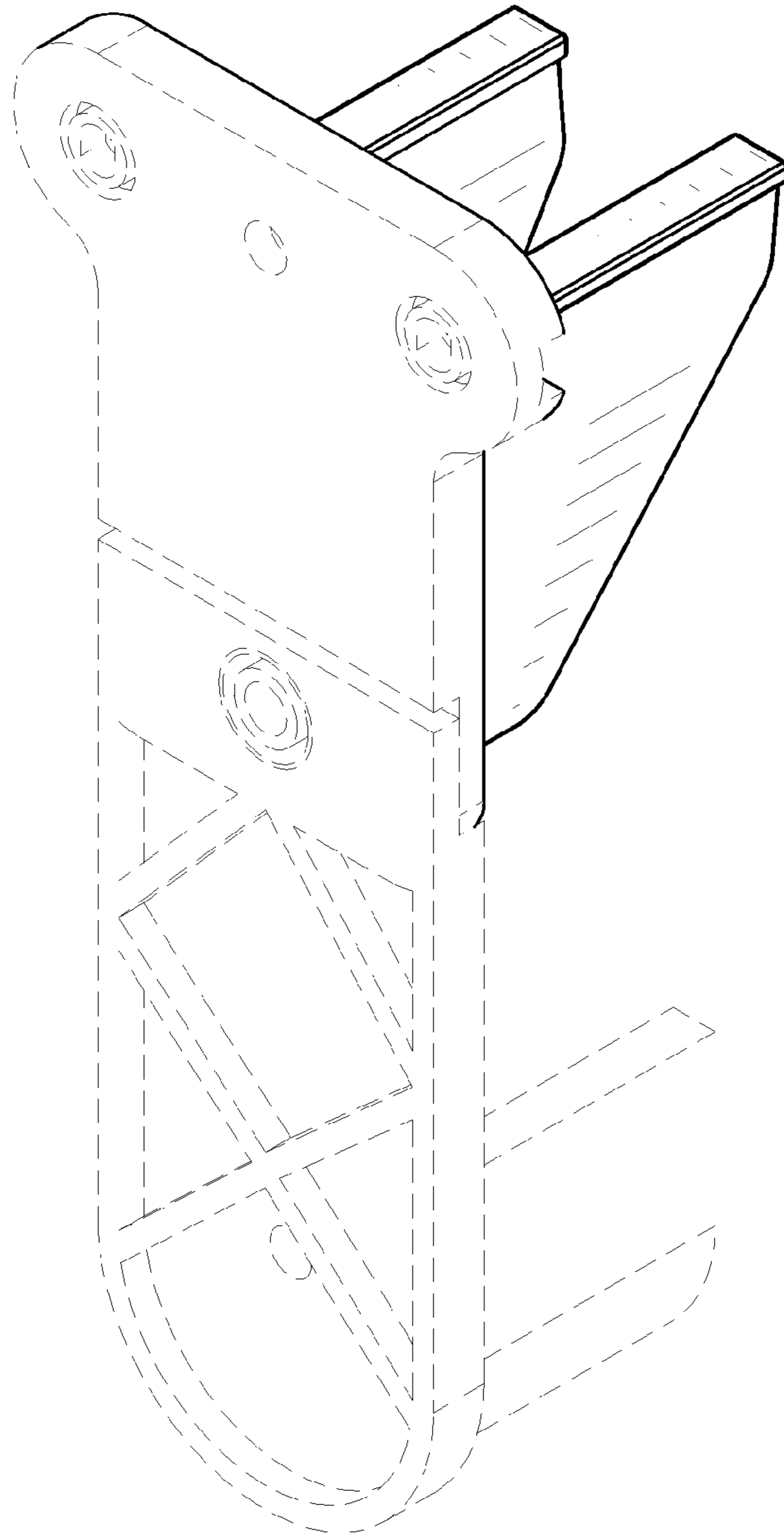


Fig. 15

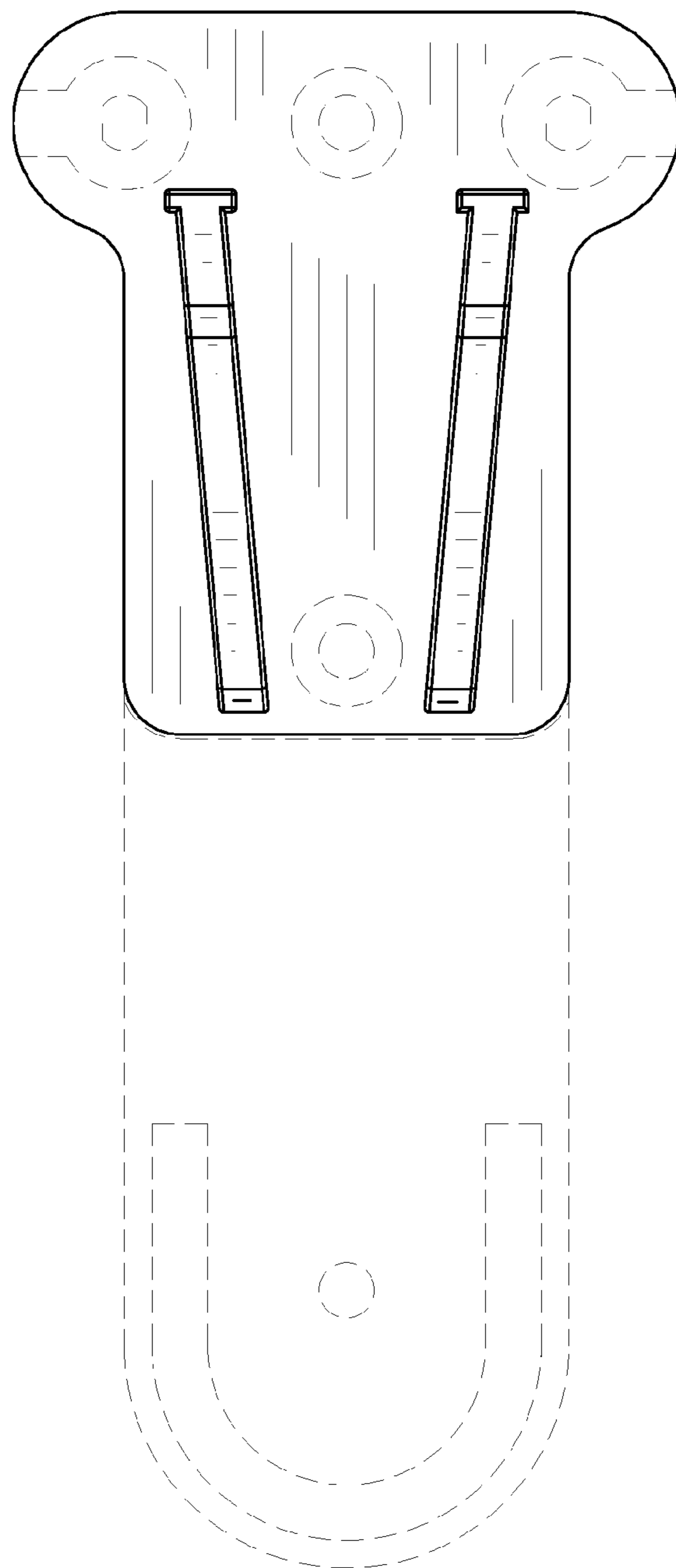


Fig. 16