



US00D631733S

(12) **United States Design Patent**
Bosgoed

(10) **Patent No.:** **US D631,733 S**

(45) **Date of Patent:** **** Feb. 1, 2011**

(54) **GLIDER FOR A CURTAIN RAIL**

(75) **Inventor:** **Henricus Wilhelmus Frederikus Bosgoed, Schalkharr (NL)**

(73) **Assignee:** **Forest Group Nederland B.V. (NL)**

(**) **Term:** **14 Years**

(21) **Appl. No.:** **29/357,120**

(22) **Filed:** **Mar. 8, 2010**

(51) **LOC (9) Cl.** **08-05**

(52) **U.S. Cl.** **D8/377**

(58) **Field of Classification Search** **D8/377;**
16/93 D-94 D

See application file for complete search history.

(56) **References Cited**

U.S. PATENT DOCUMENTS

3,064,304 A * 11/1962 Weber 16/93 D

3,359,592 A * 12/1967 Saltz 16/93 D

4,240,178 A * 12/1980 Miki 16/93 D

5,611,111 A * 3/1997 Bosgoed 16/93 D

D409,478 S * 5/1999 Bosgoed D8/377

D441,277 S * 5/2001 Bosgoed D8/373

* cited by examiner

Primary Examiner—Holly H Baynham

(74) *Attorney, Agent, or Firm*—Laubscher & Laubscher, P.C.

(57) **CLAIM**

The ornamental design for a glider for a curtain rail, as shown and described.

DESCRIPTION

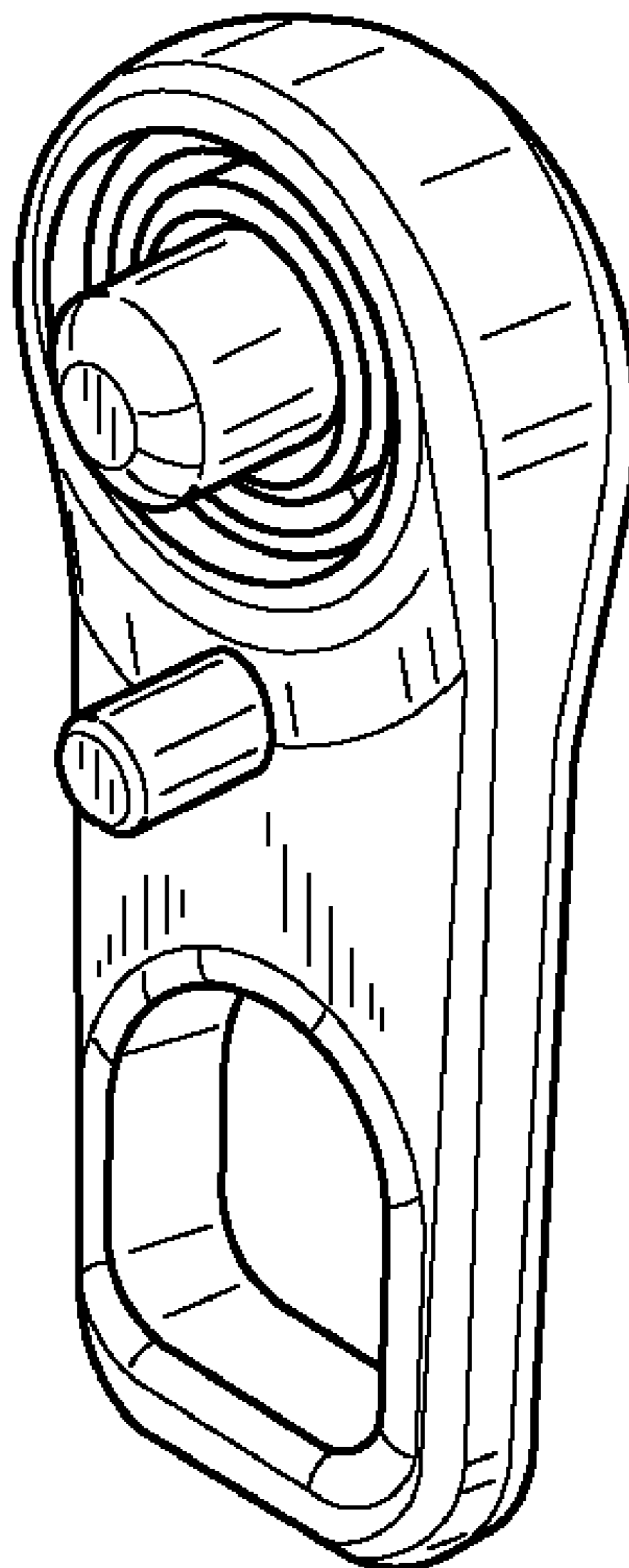
FIG. 1 is a front perspective view of the invention illustrating my design;

FIG. 2 is a front elevation view thereof;

FIG. 3 is a right side elevation view thereof; and,

FIG. 4 is a top elevation view thereof.

1 Claim, 1 Drawing Sheet



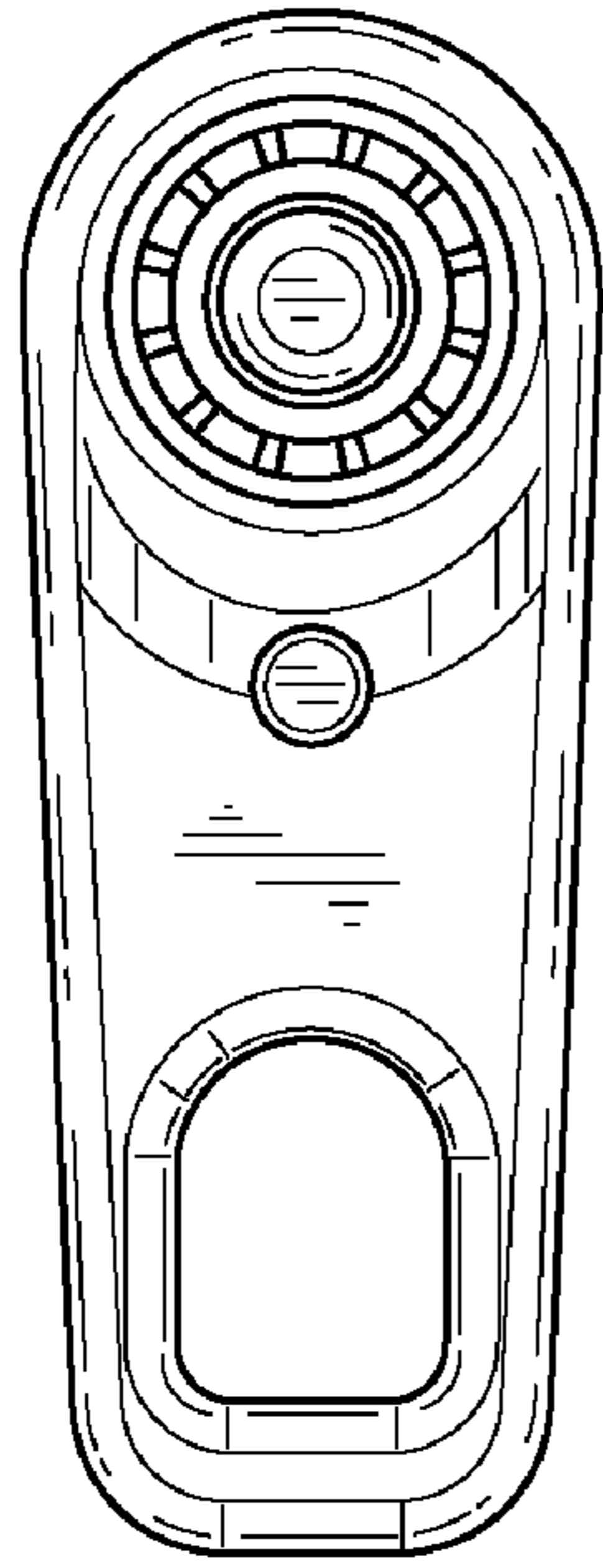


FIG. 2

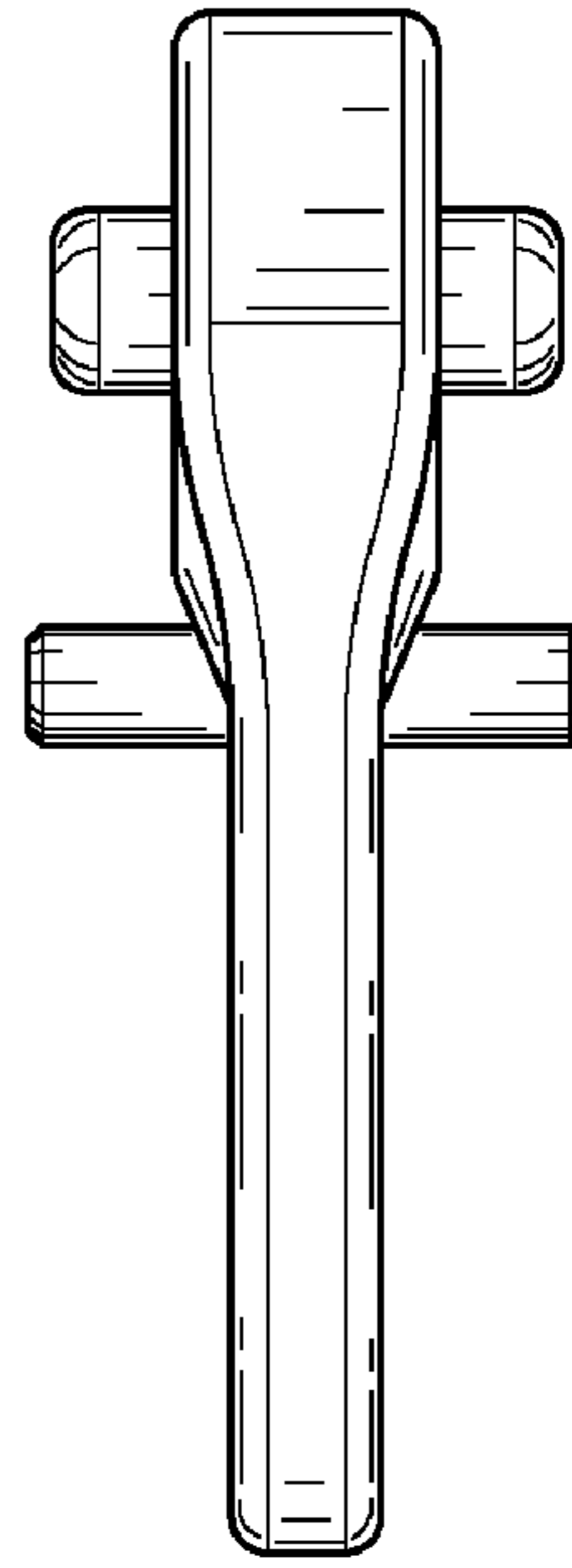


FIG. 3

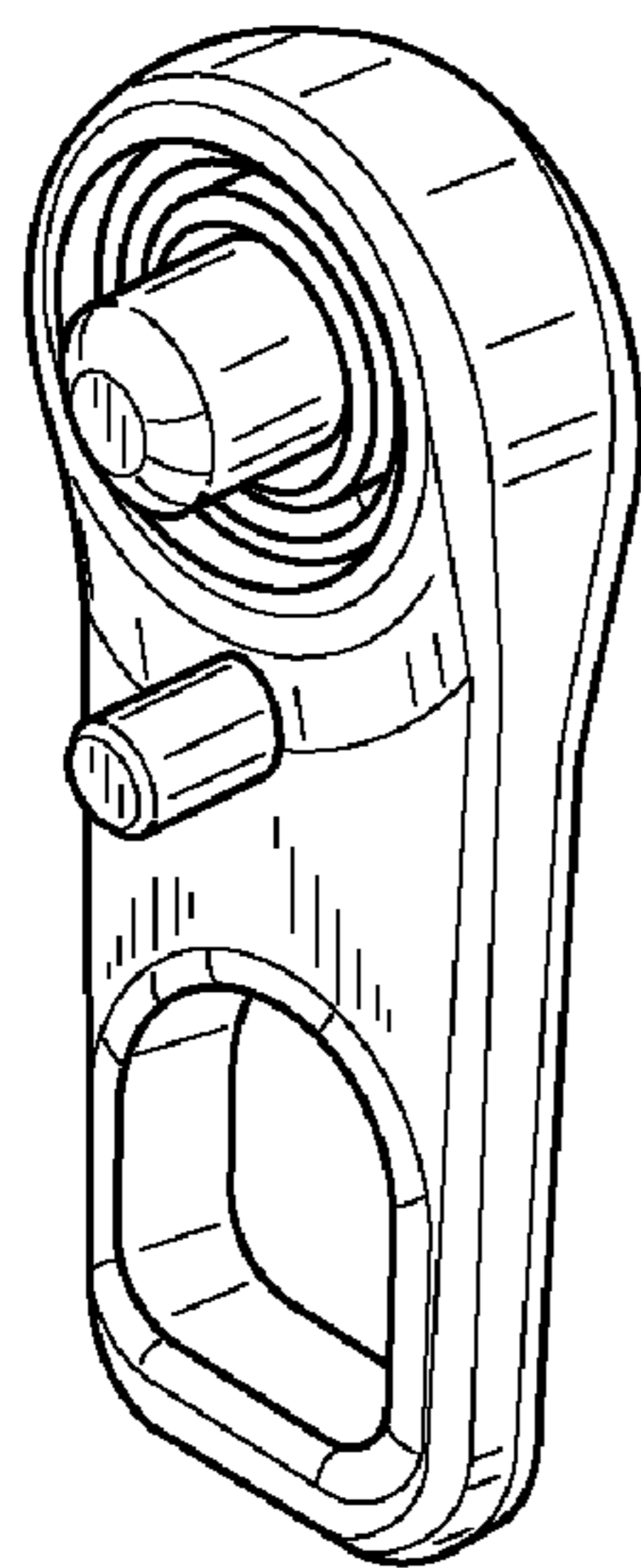


FIG. 1

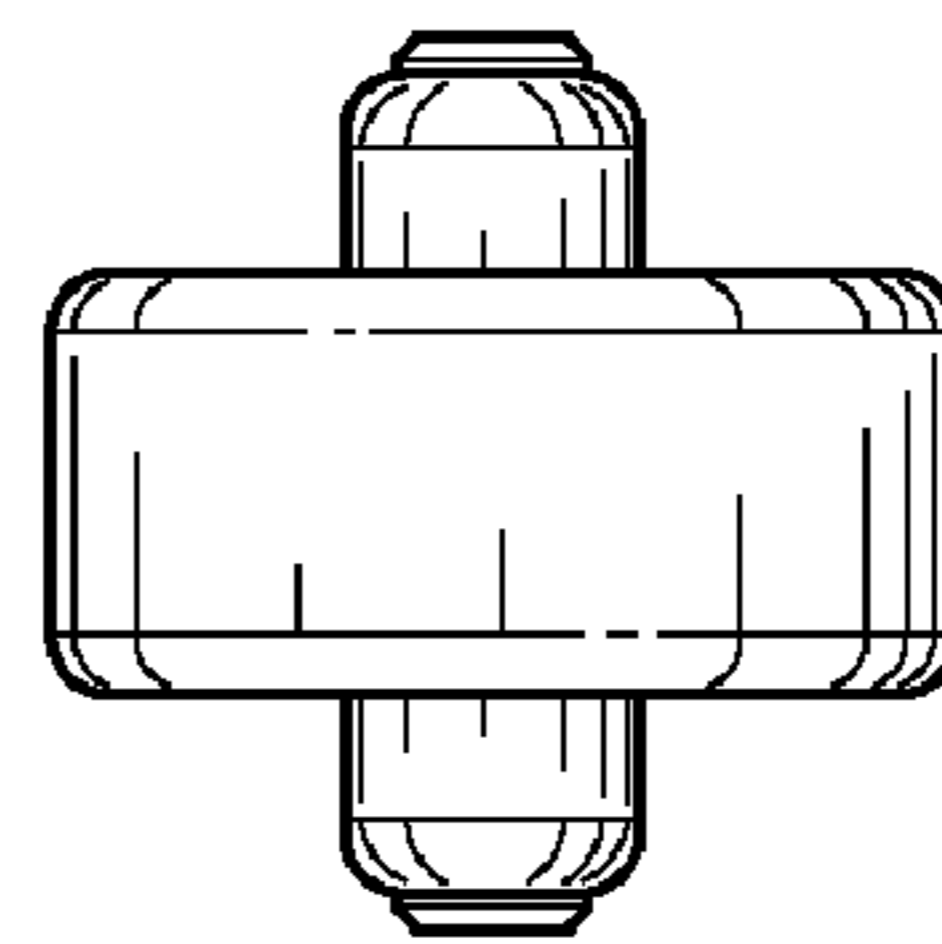


FIG. 4