



US00D631731S

(12) **United States Design Patent**
Chen

(10) **Patent No.:** **US D631,731 S**

(45) **Date of Patent:** **** *Feb. 1, 2011**

(54) **RE-USABLE AND SELF-LOCKING CABLE TIE**

(76) Inventor: **Kevin F. Chen**, 3164 E. La Palma Ave., Ste. N, Anaheim, CA (US) 92806

(*) Notice: This patent is subject to a terminal disclaimer.

(**) Term: **14 Years**

(21) Appl. No.: **29/359,834**

(22) Filed: **Apr. 15, 2010**

Related U.S. Application Data

(63) Continuation-in-part of application No. 29/350,219, filed on Nov. 12, 2009.

(51) **LOC (9) Cl.** **08-06**

(52) **U.S. Cl.** **D8/356**

(58) **Field of Classification Search** D8/105, D8/107, 333, 349, 354, 356, 358, 360, 360.1, D8/367, 372, 373, 382, 383, 394-396, 400; D13/133, 139.4, 153, 155; 24/18, 20 W, 24/23 W, 115 R, 129 C, 130, 131 R, 197, 24/561; 52/220.7; 174/72 A, 100, 135, 153 G, 174/650, 656; 211/86.01, 87.01, 94.01; 242/400.1, 242/405.1, 405.2, 600, 603; 248/65, 74.1-74.4, 248/201, 214, 215, 229.26

See application file for complete search history.

(56) **References Cited**

U.S. PATENT DOCUMENTS

- 2,936,980 A * 5/1960 Rapata 24/16 PB
- 3,118,200 A * 1/1964 Bell 24/16 PB
- 3,486,200 A * 12/1969 Orenick 24/16 PB
- 4,477,950 A * 10/1984 Cisek et al. 24/30.5 P
- D281,301 S * 11/1985 Spolar D10/46.2
- D313,547 S * 1/1991 Buckles D8/373

- D319,559 S * 9/1991 Weiss D8/1
- D377,718 S * 2/1997 Abdi D6/328
- 6,105,908 A * 8/2000 Kraus 248/74.3
- D442,851 S * 5/2001 Wilson D8/394
- 6,828,509 B2 * 12/2004 Ito et al. 174/135
- D565,401 S * 4/2008 Grady et al. D8/394

* cited by examiner

Primary Examiner—Robert M Spear

Assistant Examiner—Karen Acker

(74) *Attorney, Agent, or Firm*—QuickPatents, Inc.; Kevin Prince

(57) **CLAIM**

What is claimed is the ornamental design for a reusable and self-locking cable tie, as shown and described.

DESCRIPTION

FIG. 1 is a perspective view of a reusable and self-locking cable tie, illustrated in an engaged position, showing the new design;

FIG. 2 is an enlarged, alternate perspective view thereof, illustrated in a flat position;

FIG. 3 is a further enlarged front elevational view thereof, illustrated in the flat position, the rear elevational view being a mirror image thereof;

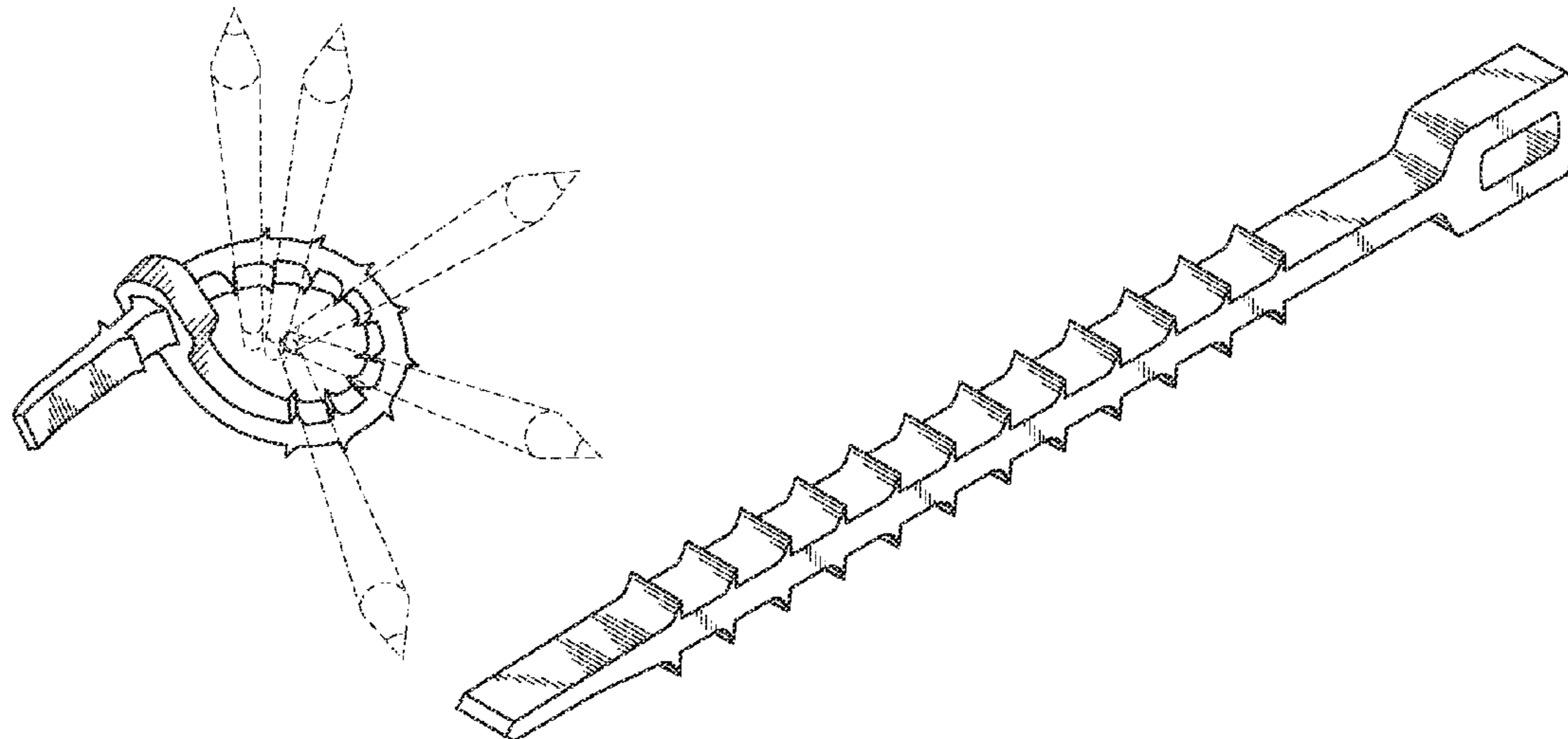
FIG. 4 is a top plan view thereof, illustrated in the flat position, the bottom plan view being a mirror image thereof;

FIG. 5 is a left-side elevational view thereof, illustrated in the flat position; and,

FIG. 6 is a right-side elevational view thereof, illustrated in the flat position.

The broken lines showing a plurality of writing instruments in FIG. 1 are included for the purpose of illustrating the invention in use, and form no part of the claimed design.

1 Claim, 1 Drawing Sheet



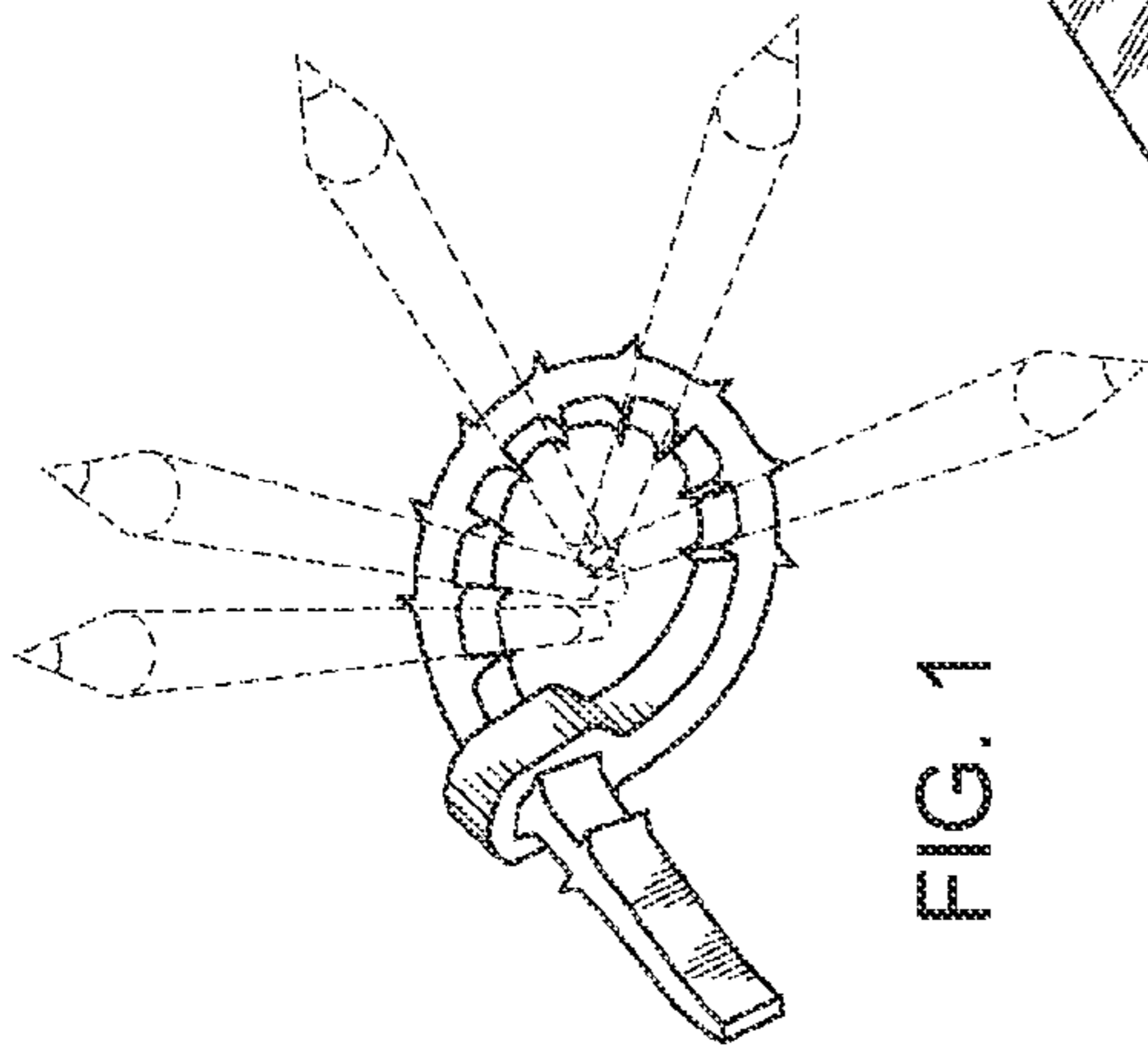


FIG. 1

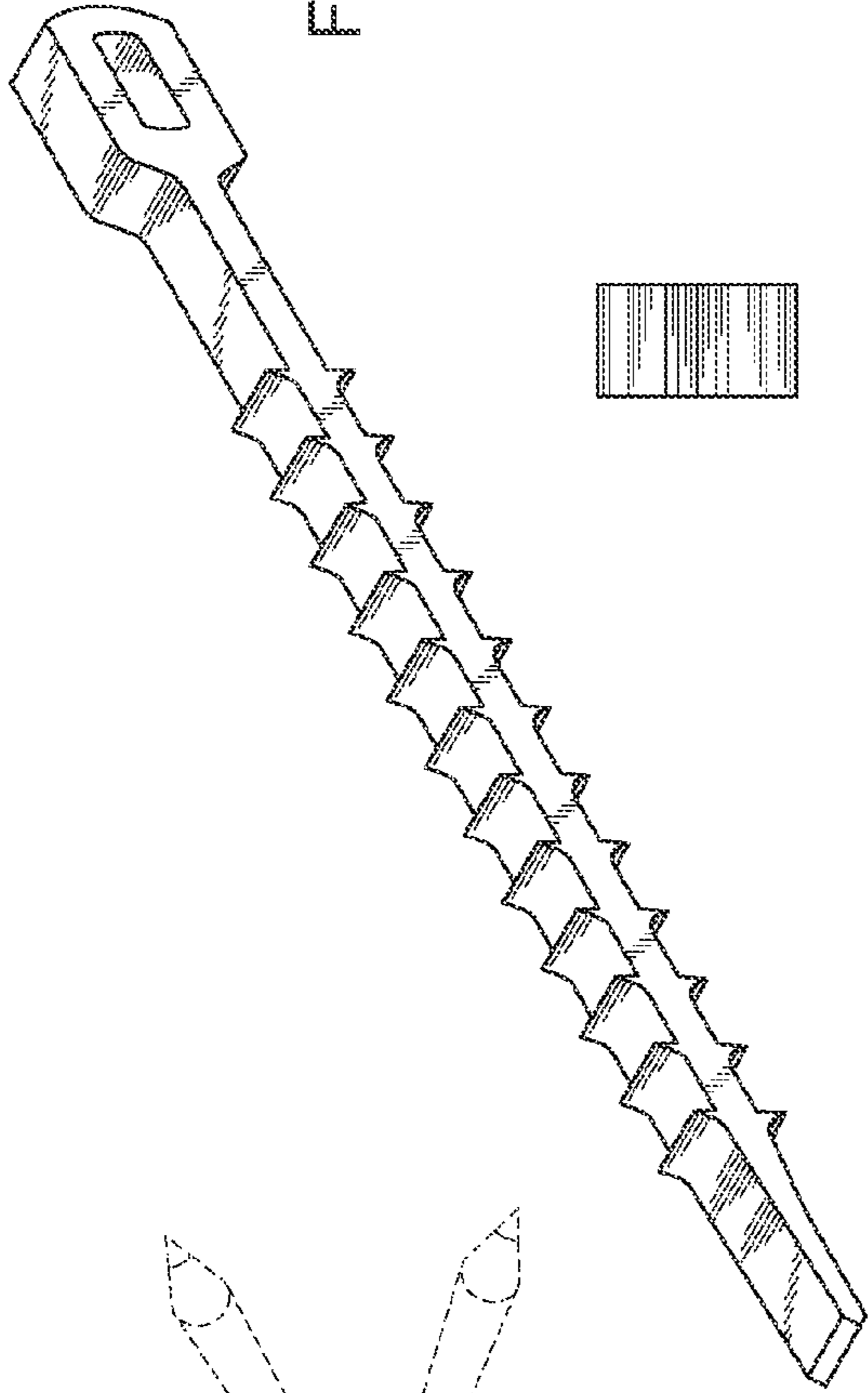


FIG. 2



FIG. 5



FIG. 6



FIG. 3

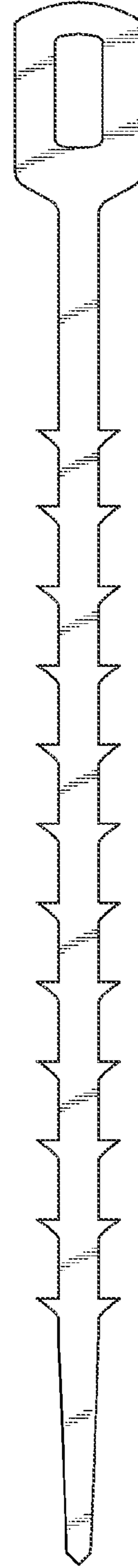


FIG. 4