



US00D631727S

(12) **United States Design Patent**
Hontz et al.

(10) **Patent No.:** **US D631,727 S**

(45) **Date of Patent:** **** Feb. 1, 2011**

(54) **DOOR LATCH**

(75) Inventors: **Jeffrey Walter Hontz**, Rural Hall, NC
(US); **Eric Neil Mickelson**, Rancho
Santa Margarita, CA (US)

(73) Assignee: **BE Aerospace, Inc.**, Wellington, FL
(US)

(**) Term: **14 Years**

(21) Appl. No.: **29/361,772**

(22) Filed: **May 14, 2010**

(51) **LOC (9) Cl.** **08-03**

(52) **U.S. Cl.** **D8/331; D8/343**

(58) **Field of Classification Search** D8/330,
D8/331, 336, 338, 339, 341, 343, 346, 302;
70/77, 78, 79, 56, 89, 156, 230, 372, 277,
70/14, 51, 141; 292/207, 150, 359
See application file for complete search history.

(56) **References Cited**

U.S. PATENT DOCUMENTS

- 4,869,086 A * 9/1989 Richards 70/416
- 5,651,279 A * 7/1997 Berton et al. 70/211
- D433,920 S * 11/2000 Chang D8/331
- D443,496 S * 6/2001 DeCosse D8/300

- D456,689 S * 5/2002 Nakamaru D8/343
- 6,502,869 B1 * 1/2003 Rosenquist et al. 292/59
- D484,024 S * 12/2003 Teskey et al. D8/331
- D513,469 S * 1/2006 Gao et al. D8/350
- D563,764 S * 3/2008 Hacker D8/331
- D576,019 S * 9/2008 Kim D8/331
- D584,131 S * 1/2009 Roberts D8/343

* cited by examiner

Primary Examiner—Prabhakar Deshmukh

(74) *Attorney, Agent, or Firm*—Adams Intellectual Property
Law

(57) **CLAIM**

The ornamental design for a door latch, as shown and
described.

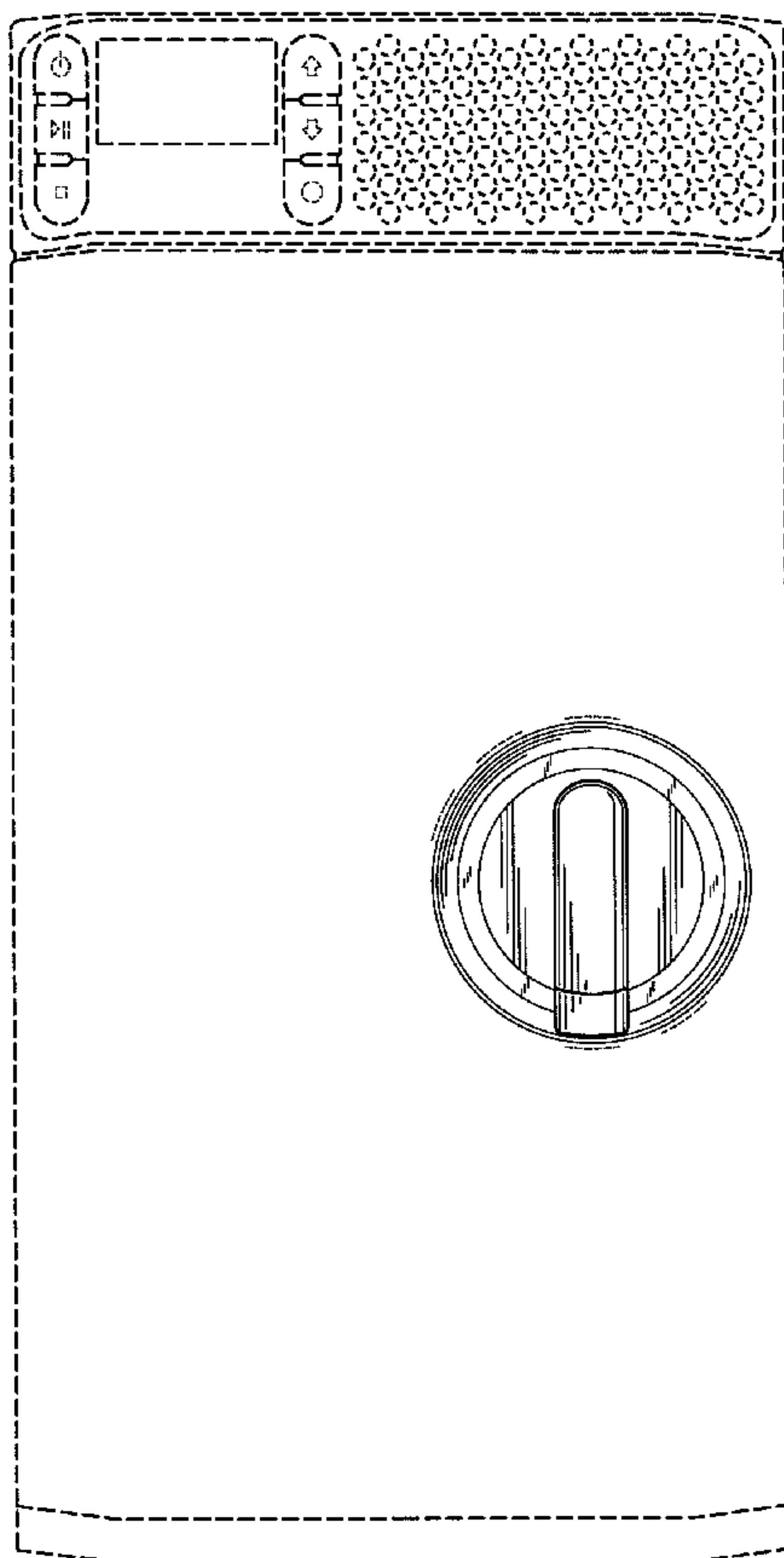
DESCRIPTION

FIG. 1 is a front elevational view of a door latch showing our
new design;

FIG. 2 is a front and left side perspective view thereof; and,
FIG. 3 is front and right side perspective view thereof.

The broken lines showing an appliance is included for the
purpose of illustrating environment and forms no part of the
claimed design.

1 Claim, 3 Drawing Sheets



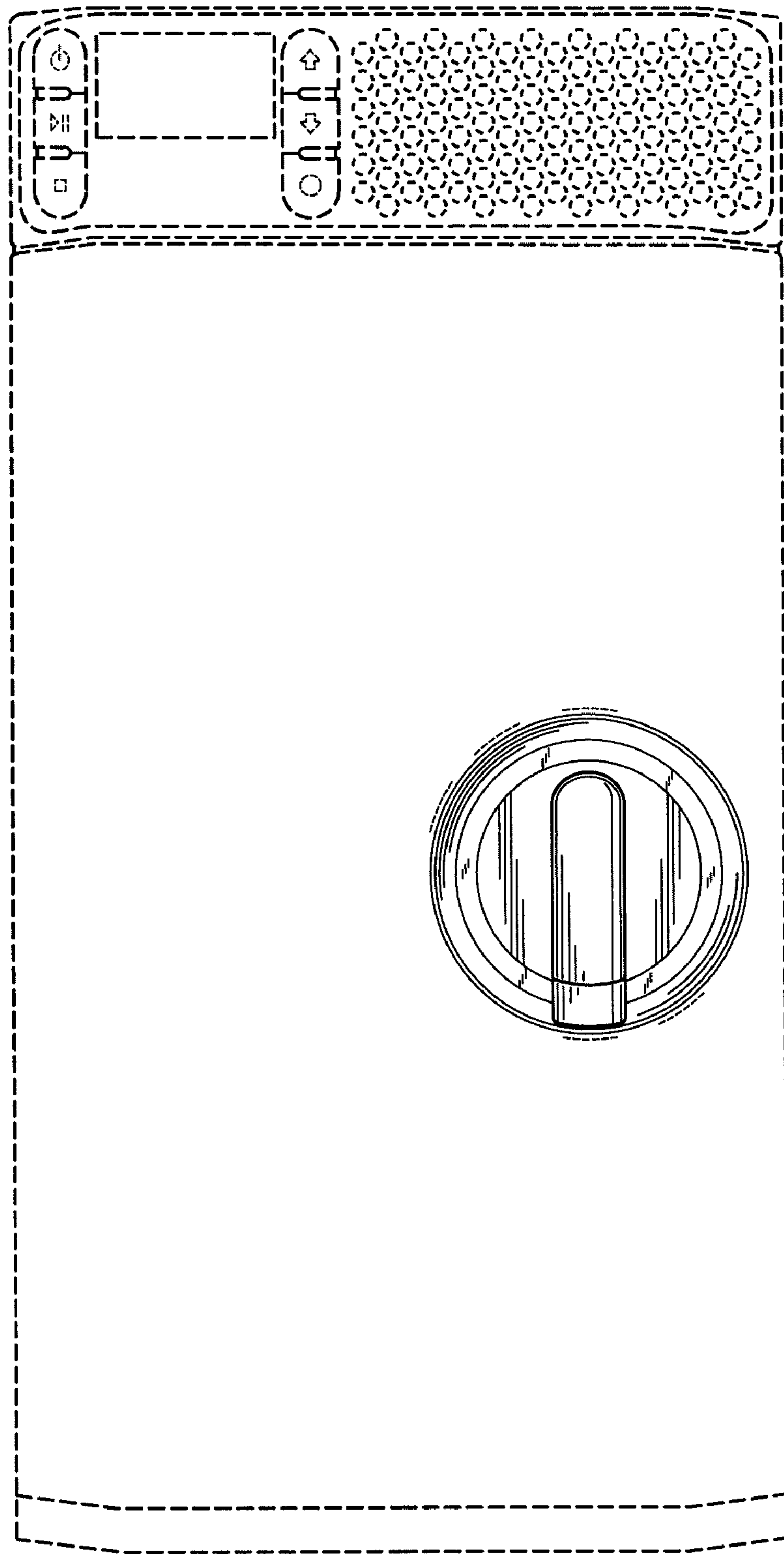


Fig. 1

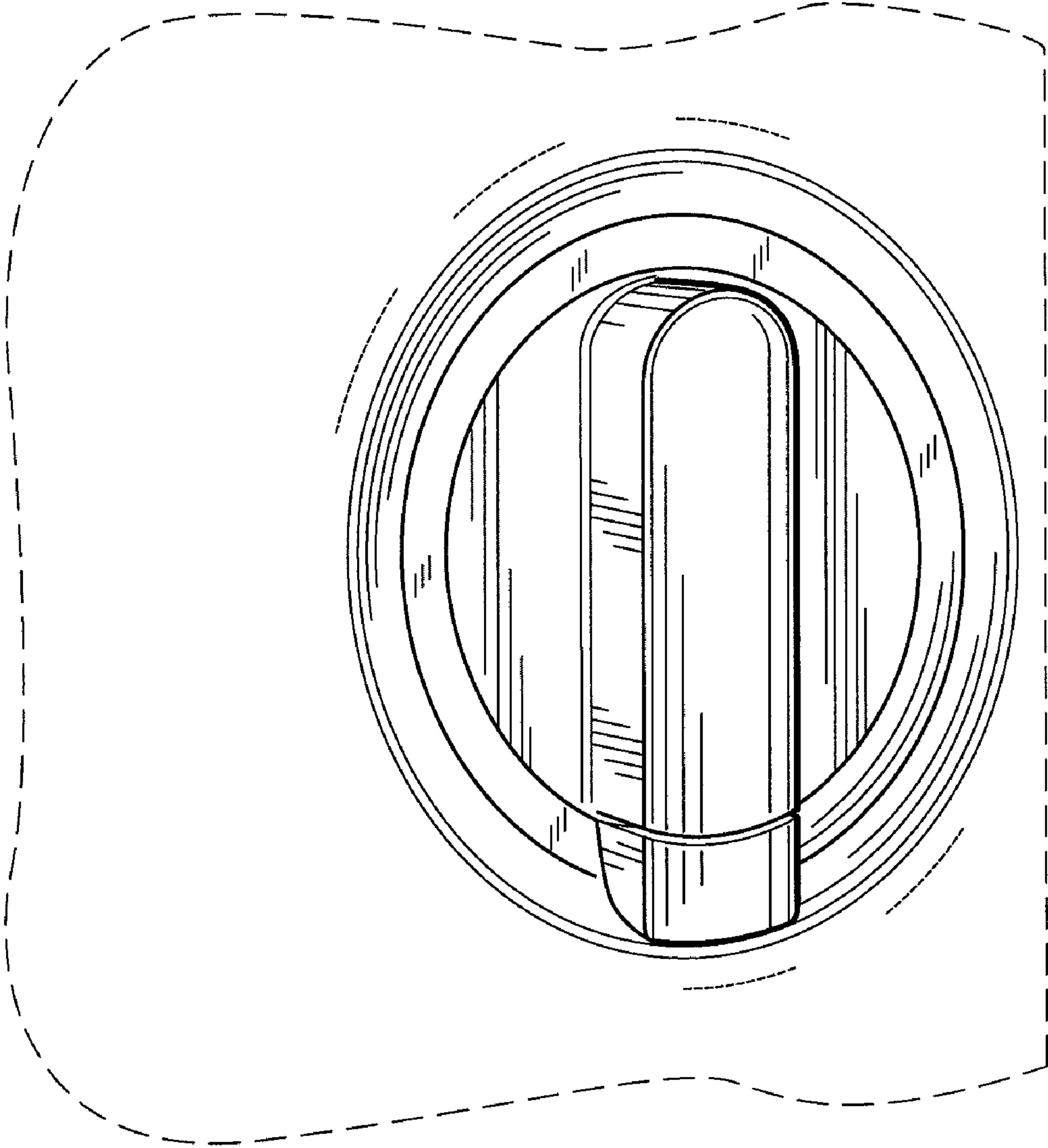


Fig. 2

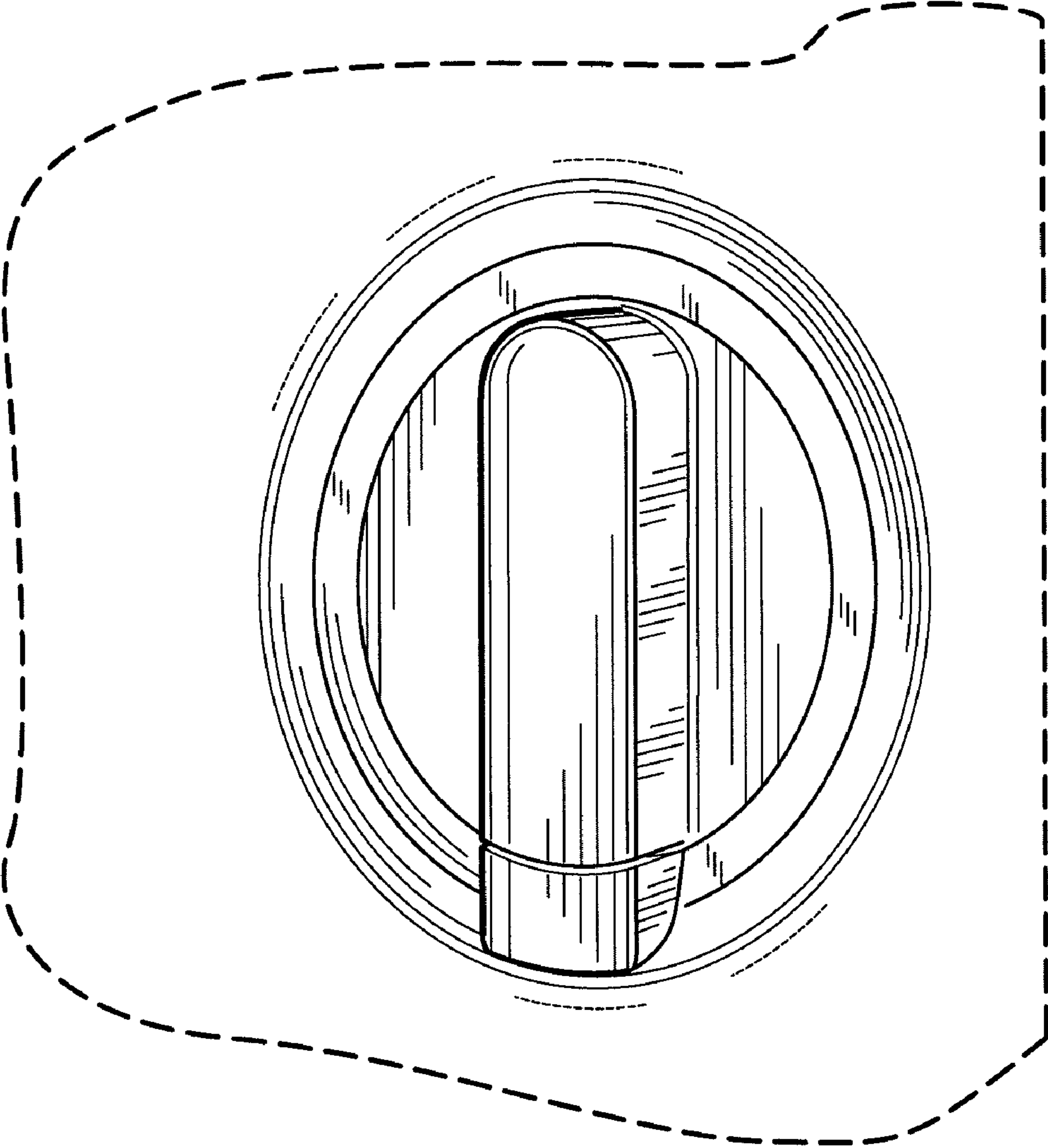


Fig. 3