



US00D631725S

(12) **United States Design Patent**
Egan

(10) **Patent No.:** **US D631,725 S**
(45) **Date of Patent:** **** Feb. 1, 2011**

(54) **MOTORCYCLE HANDLEBAR GRIP**

(75) Inventor: **Craig P. Egan**, Peterborough (CA)

(73) Assignee: **Kuryakyn Holdings, Inc.**, Somerset, WI (US)

(**) Term: **14 Years**

(21) Appl. No.: **29/348,683**

(22) Filed: **Jan. 28, 2010**

(51) **LOC (9) Cl.** **12-11**

(52) **U.S. Cl.** **D8/303**

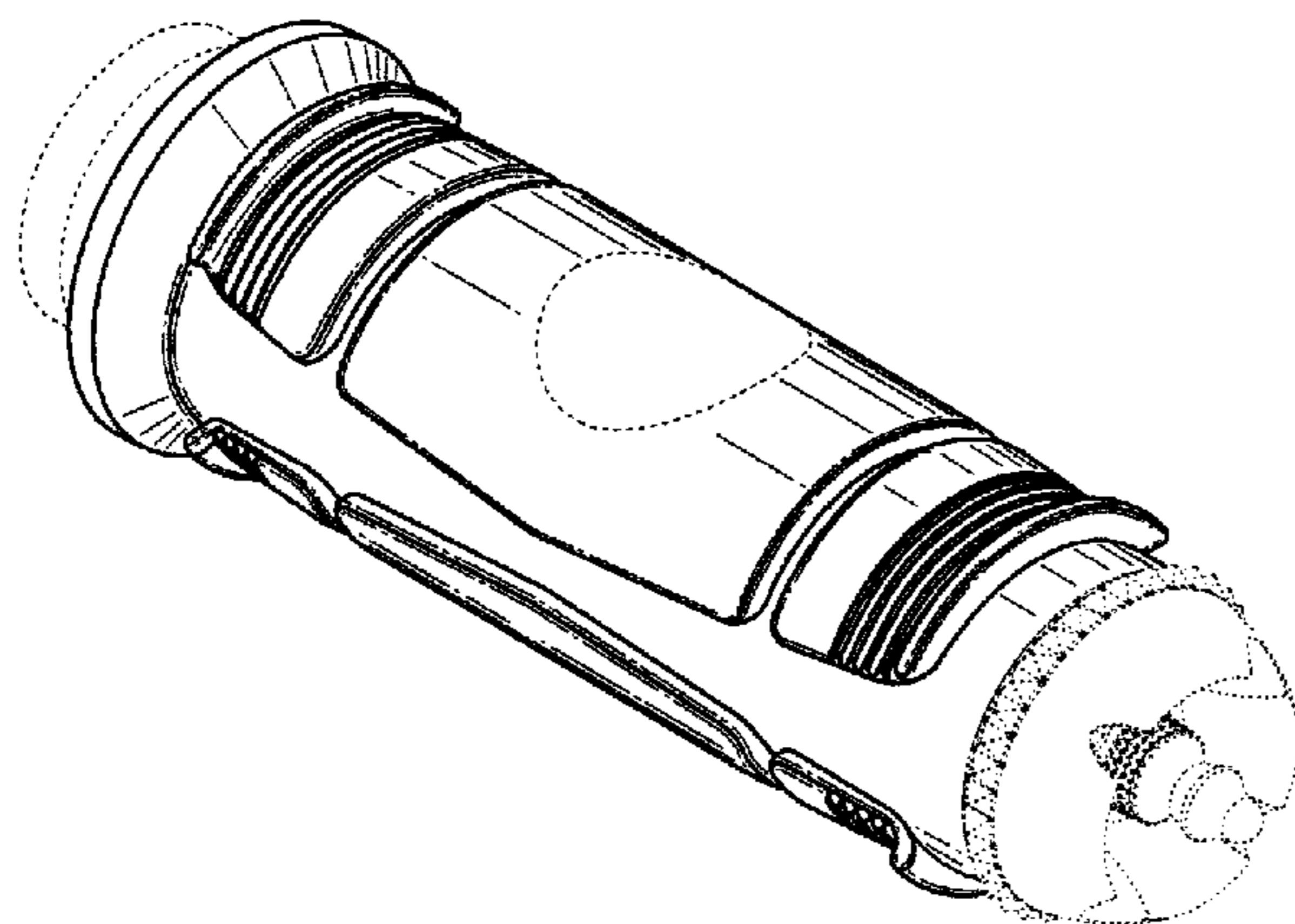
(58) **Field of Classification Search** D8/303,
D8/300, 70, 107, DIG. 8; D12/110-112,
D12/117-179, 114; 16/110.1, 421, 430,
16/DIG. 12; 74/488, 489, 502.2, 551.8, 551.9;
180/219, 220

See application file for complete search history.

(56) **References Cited**

U.S. PATENT DOCUMENTS

- D314,700 S * 2/1991 Lurkis D8/303
- D332,563 S * 1/1993 Lurkis D8/303
- D335,437 S * 5/1993 Wilson D8/303
- D352,442 S * 11/1994 Lee-Chang D8/303



OTHER PUBLICATIONS

2008 J & P Cycles® Keeping The World on 2 Wheels® Catalog, Old School Avon Waffle Grips on p. 855.*

* cited by examiner

Primary Examiner—Philip S Hyder
Assistant Examiner—Linda G. Brooks

(74) *Attorney, Agent, or Firm*—Dicke, Billig & Czaja, PLLC

(57) **CLAIM**

The ornamental design for a motorcycle handlebar grip, as shown and described.

DESCRIPTION

FIG. 1 is a perspective view of the motorcycle handlebar grip of the present invention.

FIG. 2 is a left side elevation view thereof, the right side being a mirror image thereof.

FIG. 3 is a top view thereof.

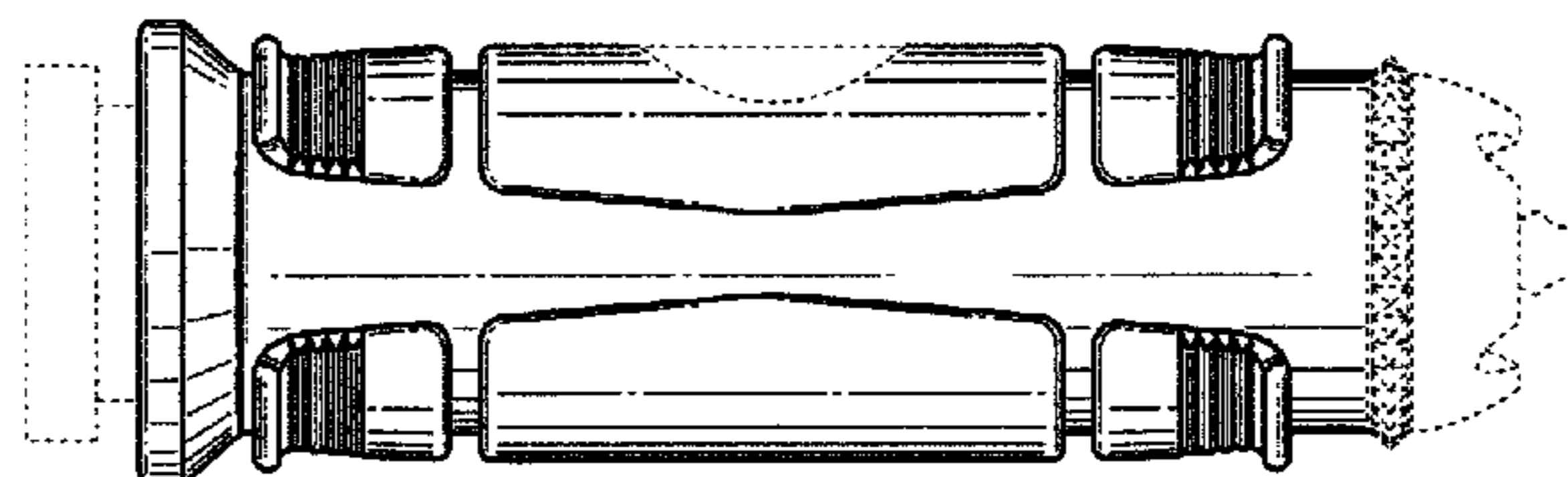
FIG. 4 is a bottom view thereof.

FIG. 5 is a first end view thereof; and,

FIG. 6 is a second, opposite end view thereof.

Those portions of the motorcycle handlebar grip shown in broken lines, namely, the end portions and outer surface portion, form no part of the claimed design.

1 Claim, 4 Drawing Sheets



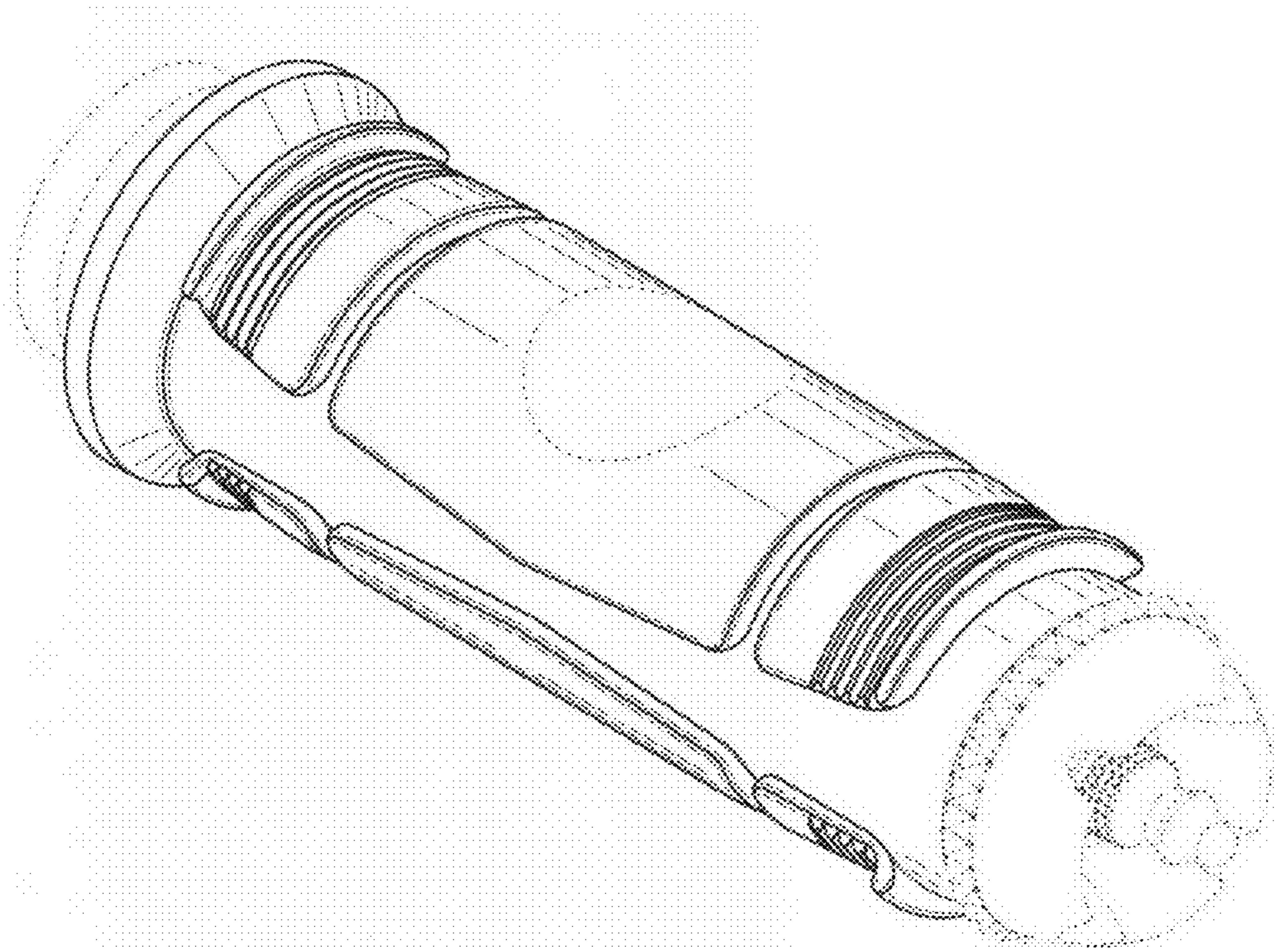


Fig. 1

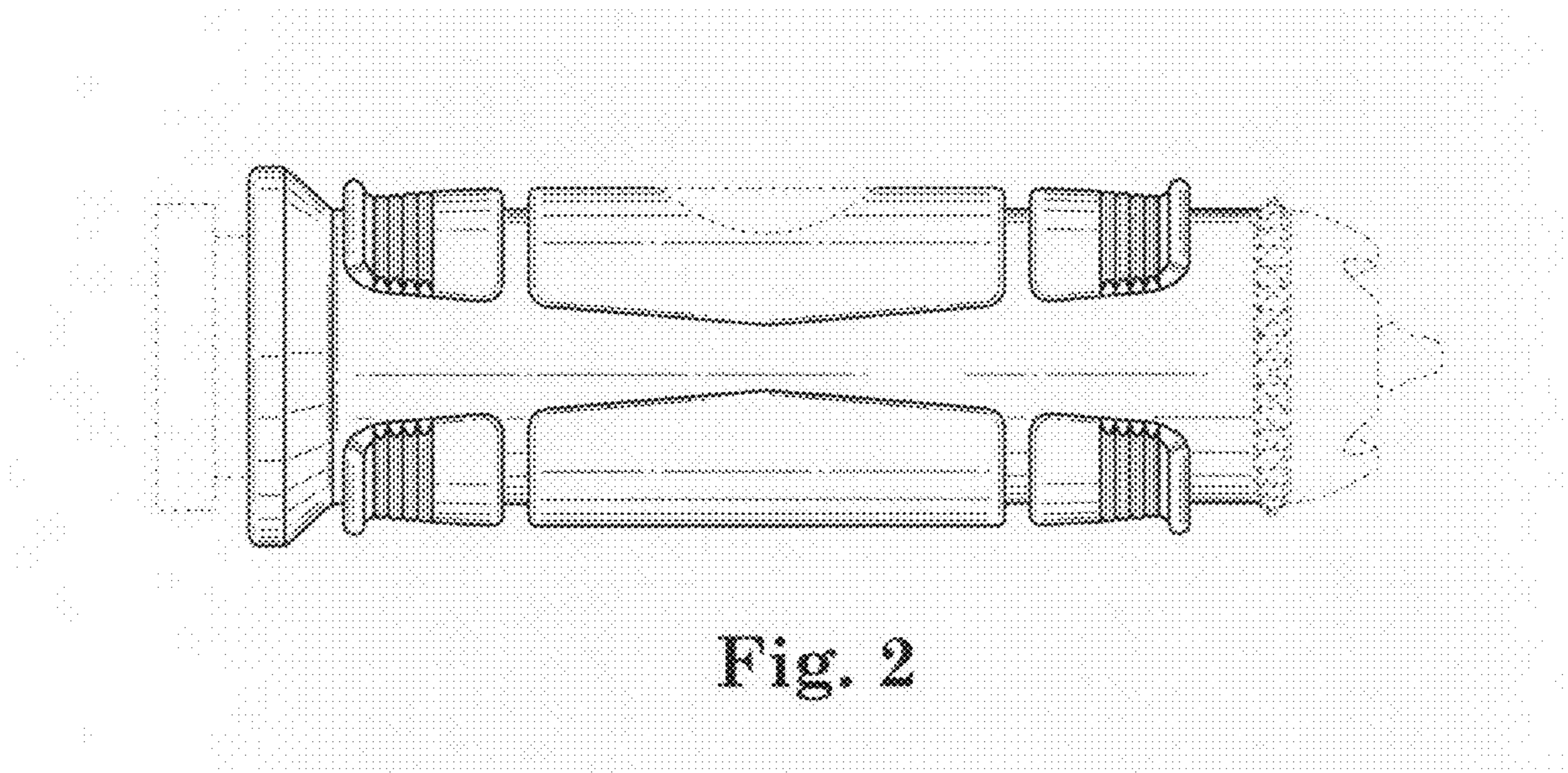


Fig. 2

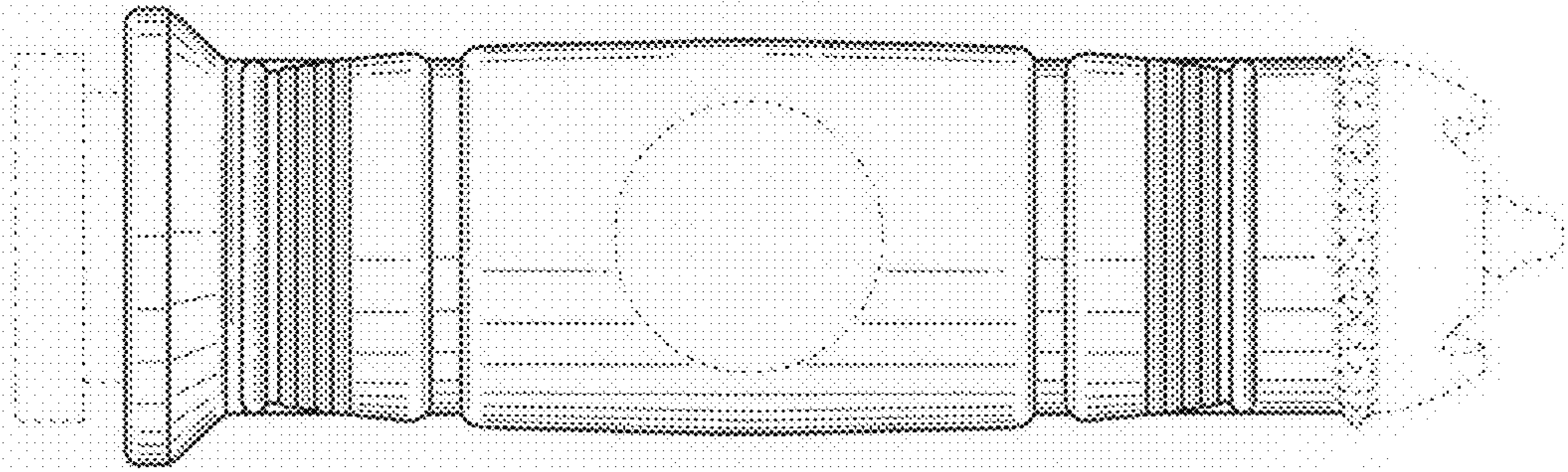


Fig. 3

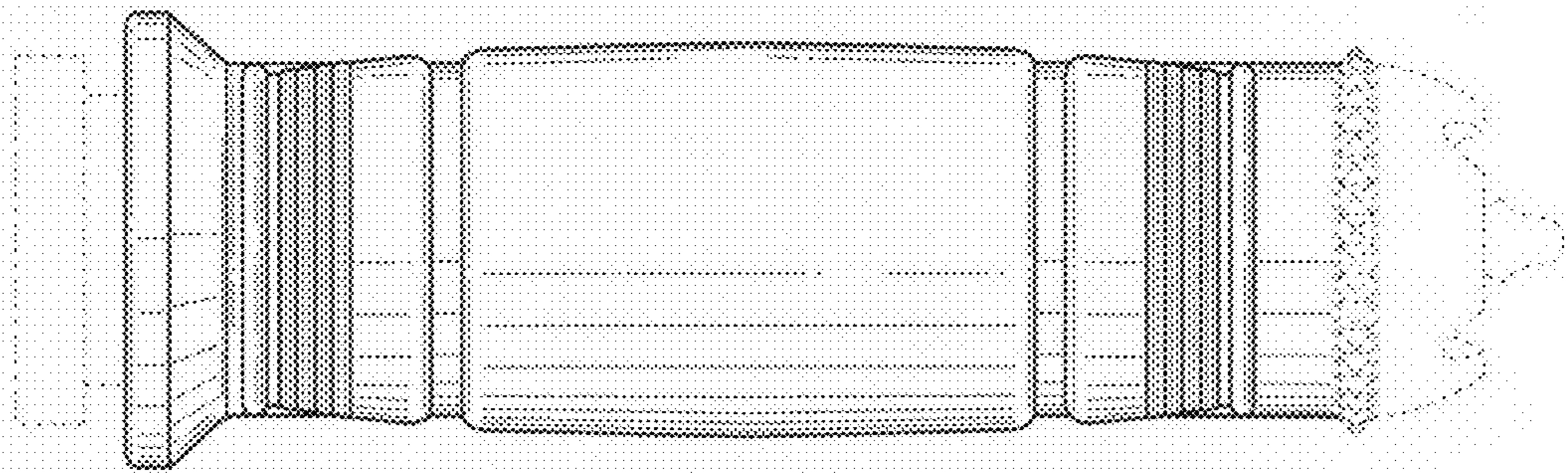


Fig. 4

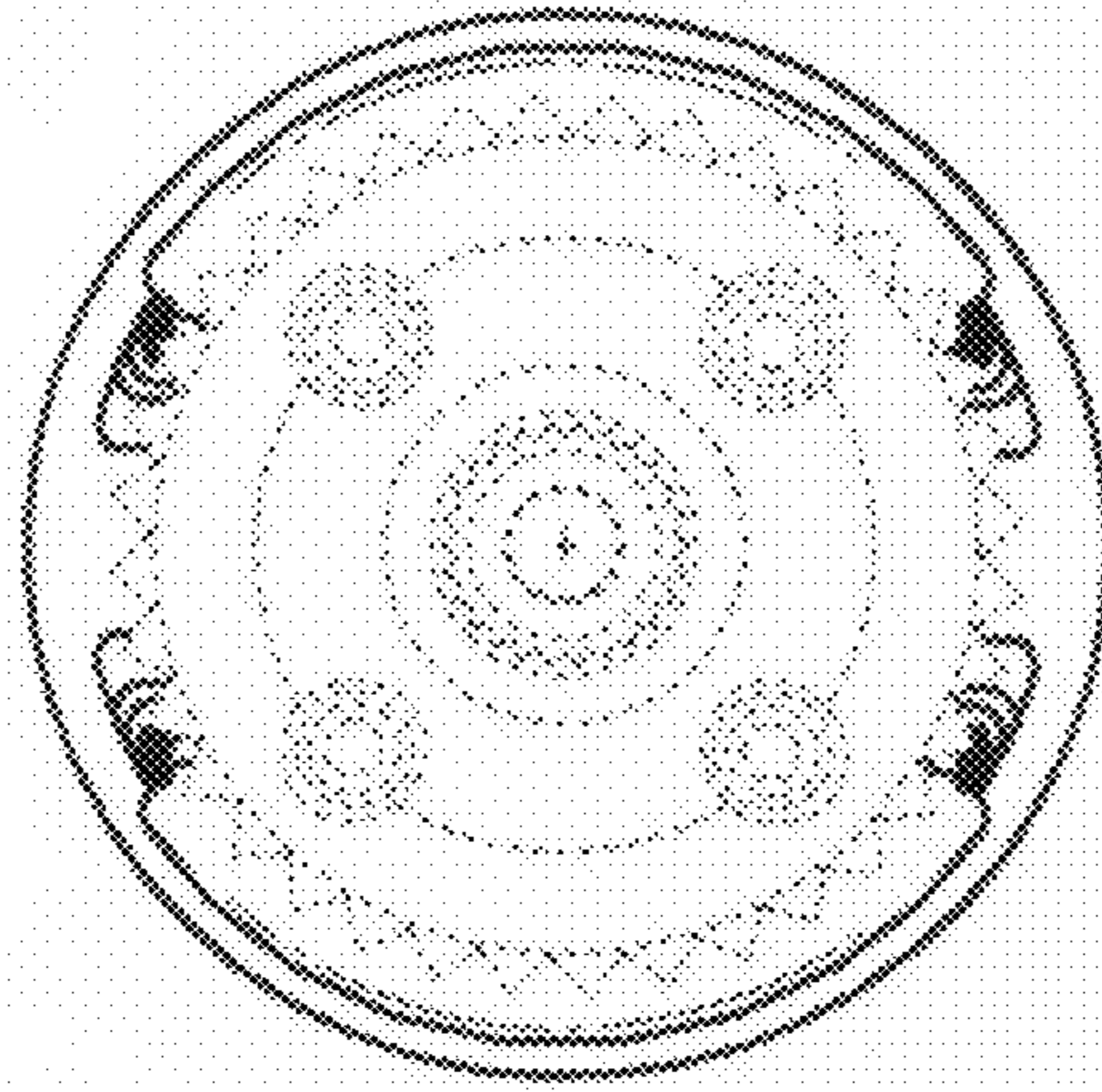


Fig. 5

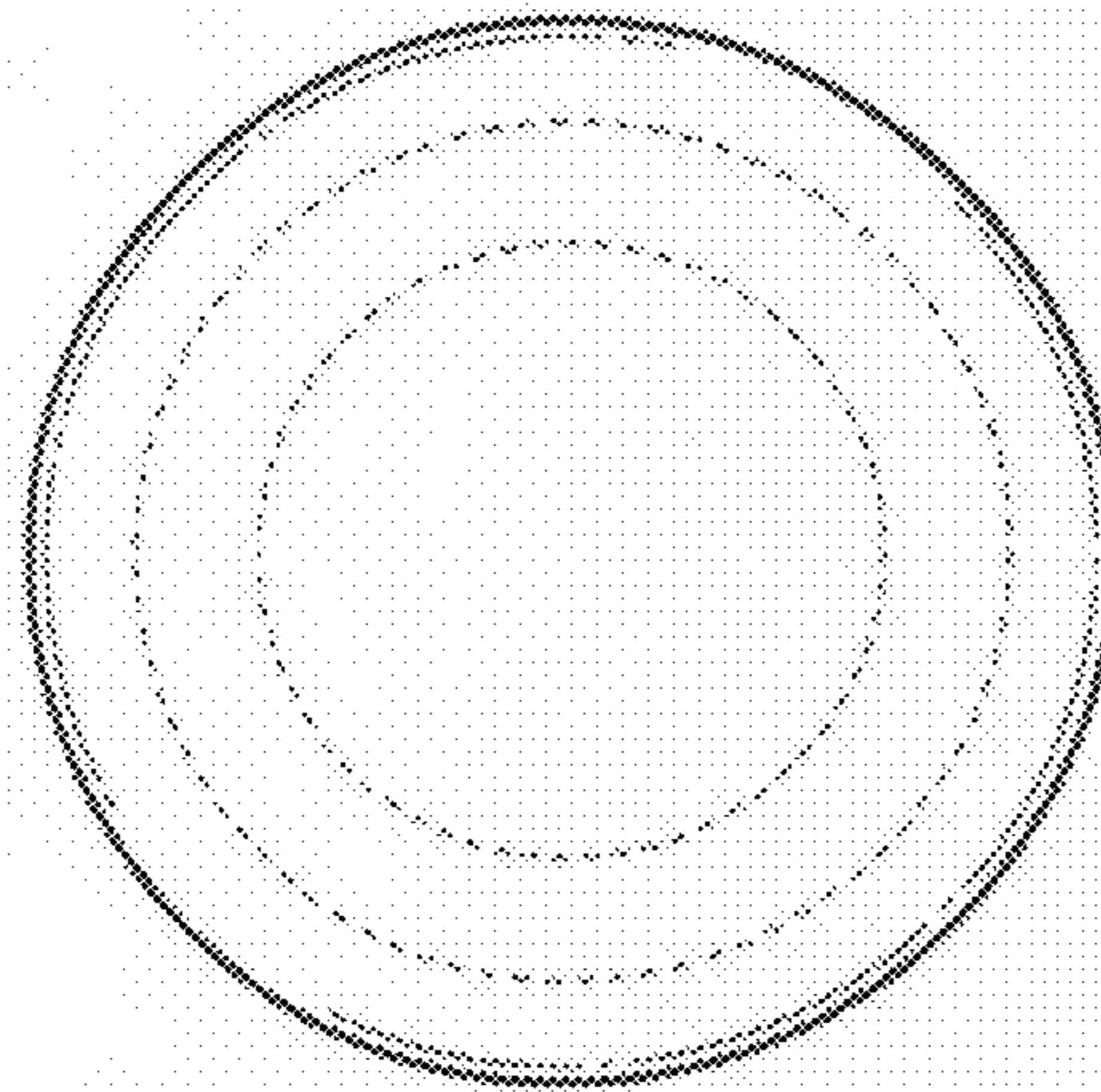


Fig. 6