



US00D631718S

(12) **United States Design Patent**  
**Aglassinger**

(10) **Patent No.:** **US D631,718 S**

(45) **Date of Patent:** **\*\* Feb. 1, 2011**

(54) **CIRCULAR SAW**

(75) Inventor: **Hans-Peter Aglassinger**, Esslingen (DE)

(73) Assignee: **Robert Bosch GmbH**, Stuttgart (DE)

(\*\*) Term: **14 Years**

(21) Appl. No.: **29/345,164**

(22) Filed: **Oct. 12, 2009**

(30) **Foreign Application Priority Data**

Jun. 5, 2009 (EM) ..... 001144026

(51) **LOC (9) Cl.** ..... **08-03**

(52) **U.S. Cl.** ..... **D8/66**

(58) **Field of Classification Search** ..... D8/69,  
D8/68, 67, 66, 64, 61, 70; 83/698.41, 747,  
83/166.3, 374, 373, 375, 376, 391, 377, 390,  
83/388, 389; 125/13.01; 144/218; D21/532  
See application file for complete search history.

(56) **References Cited**

**U.S. PATENT DOCUMENTS**

D334,523	S	*	4/1993	Hoshino et al.	.....	D8/66
D378,488	S	*	3/1997	Ito et al.	.....	D8/66
5,758,425	A	*	6/1998	Gallagher et al.	.....	30/376
5,782,001	A	*	7/1998	Gray	.....	30/391
5,794,351	A	*	8/1998	Campbell et al.	.....	30/390
5,832,614	A	*	11/1998	Gallagher et al.	.....	30/391
D408,248	S	*	4/1999	Zurwelle et al.	.....	D8/66
D503,878	S	*	4/2005	Tillman et al.	.....	D8/66

D520,319	S	*	5/2006	Aglassinger	.....	D8/66
D522,831	S	*	6/2006	Andriolo	.....	D8/66
D522,832	S	*	6/2006	Hastie	.....	D8/66
D538,124	S	*	3/2007	Yamamoto et al.	.....	D8/66
D539,108	S	*	3/2007	Roberts	.....	D8/66
D552,953	S	*	10/2007	Jones	.....	D8/66
D559,645	S	*	1/2008	Okuda et al.	.....	D8/66
D567,612	S	*	4/2008	Wright et al.	.....	D8/66
D573,432	S	*	7/2008	Gavins	.....	D8/66
D578,853	S	*	10/2008	Gallagher et al.	.....	D8/66

\* cited by examiner

*Primary Examiner*—Austin Murphy

(74) *Attorney, Agent, or Firm*—Victor A. Henri

(57) **CLAIM**

The ornamental design for the circular saw, as shown and described.

**DESCRIPTION**

FIG. 1 is a front right perspective view of the circular saw;

FIG. 2 is a right elevational view thereof;

FIG. 3 is a left elevational view thereof;

FIG. 4 is a front elevational view thereof;

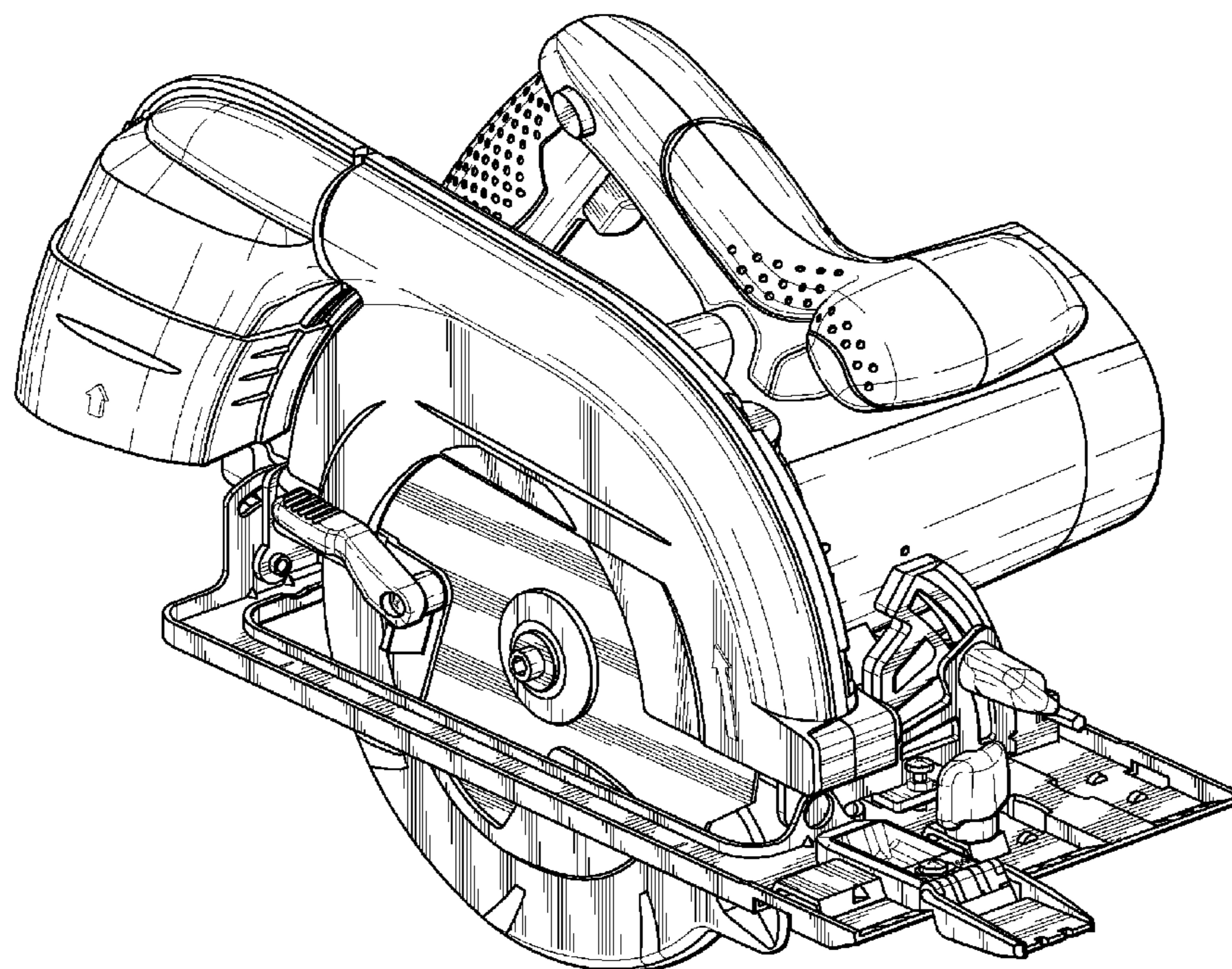
FIG. 5 is a rear elevational view thereof;

FIG. 6 is a top plan view thereof; and,

FIG. 7 is a bottom plan view thereof.

The broken lines and structures they depict form no part of the claimed design.

**1 Claim, 7 Drawing Sheets**



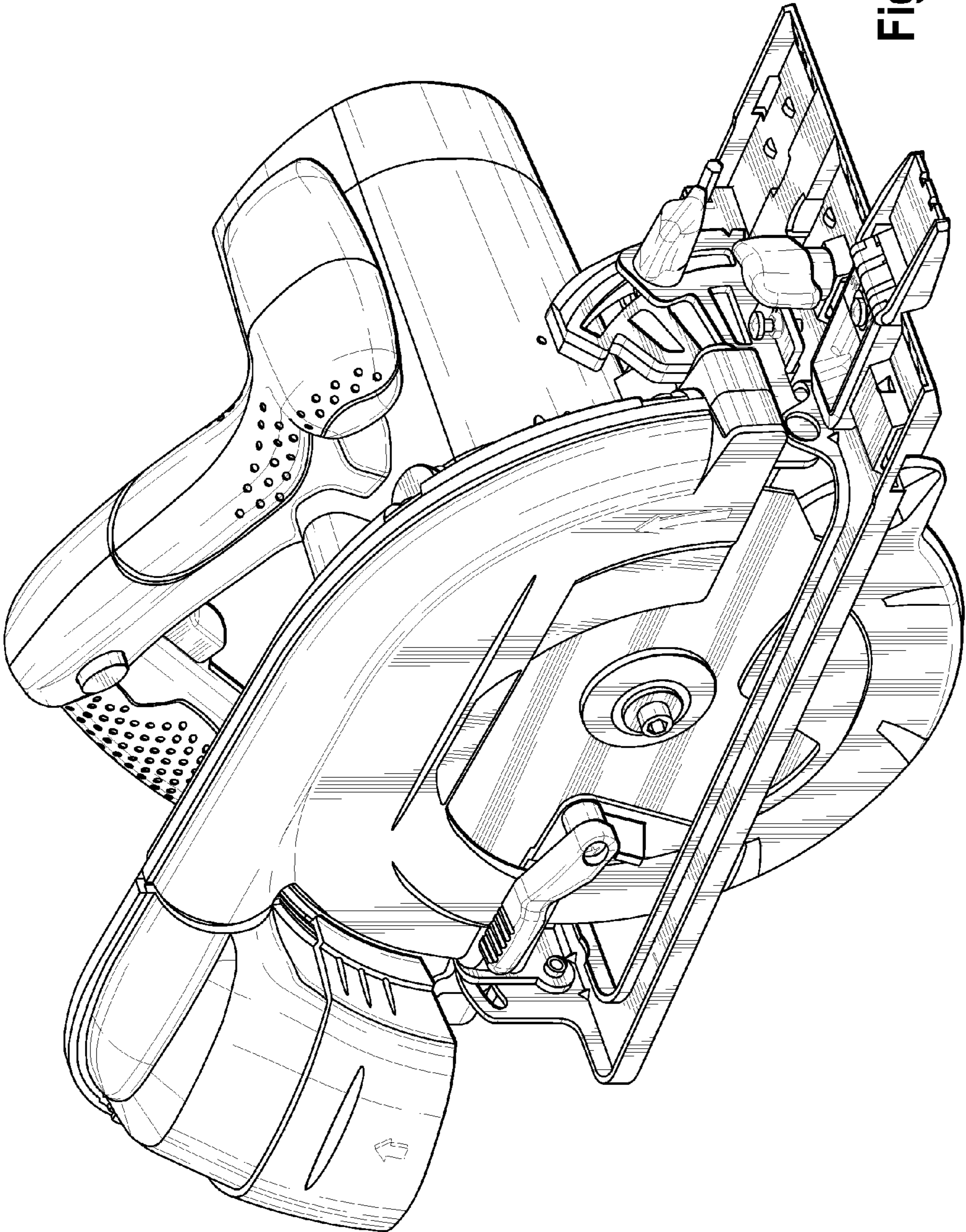


Fig. 1

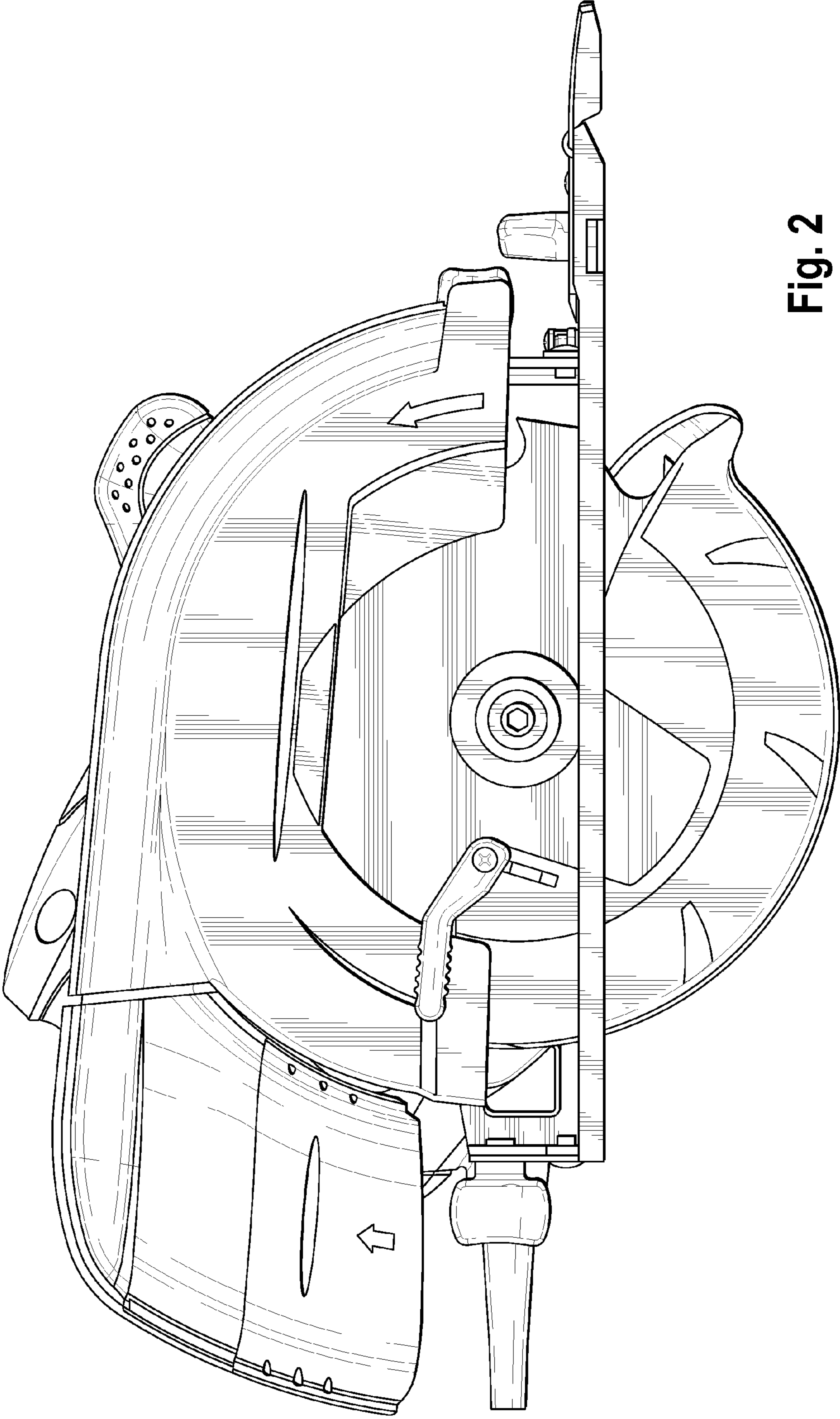


Fig. 2

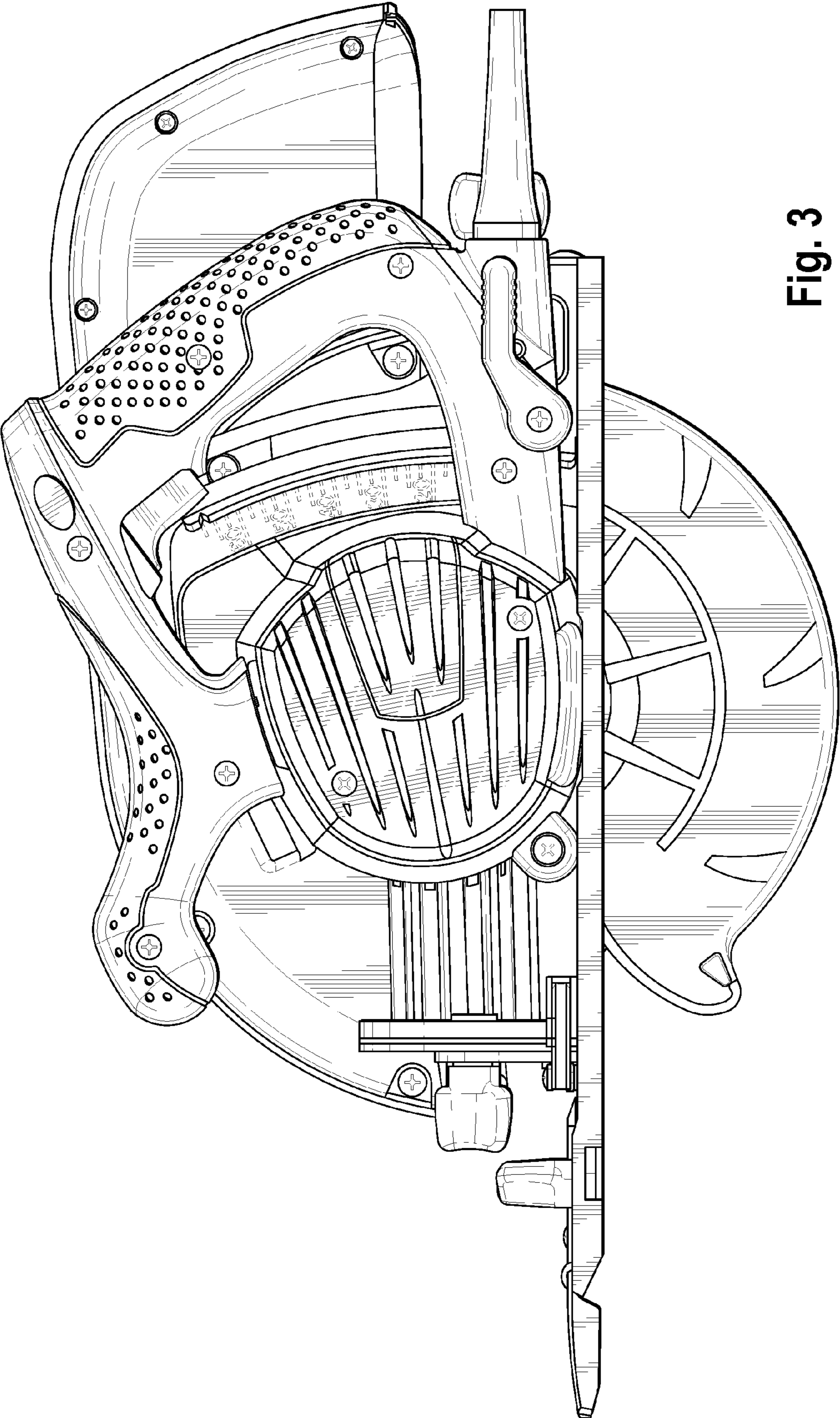


Fig. 3

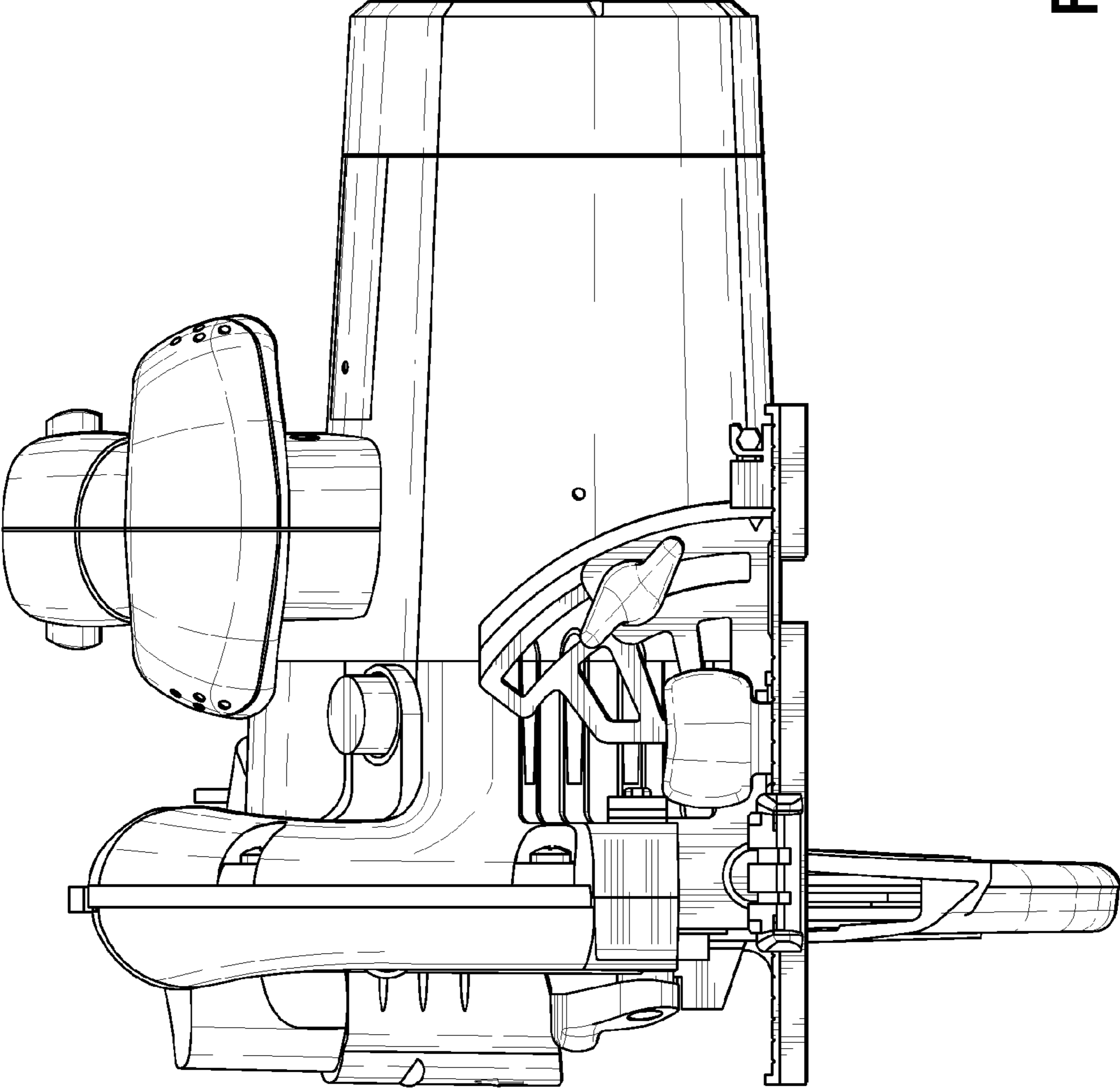


Fig. 4

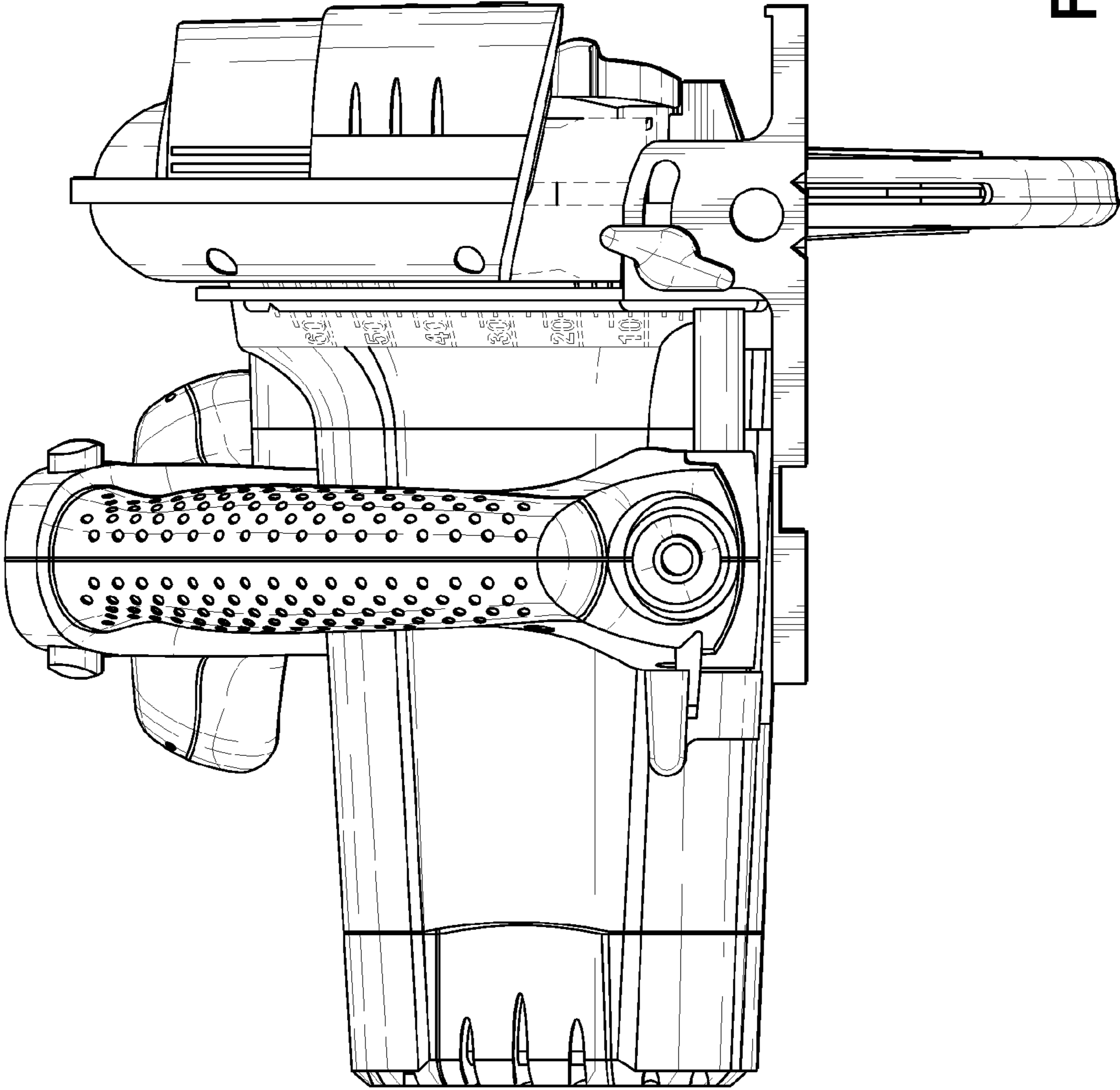


Fig. 5

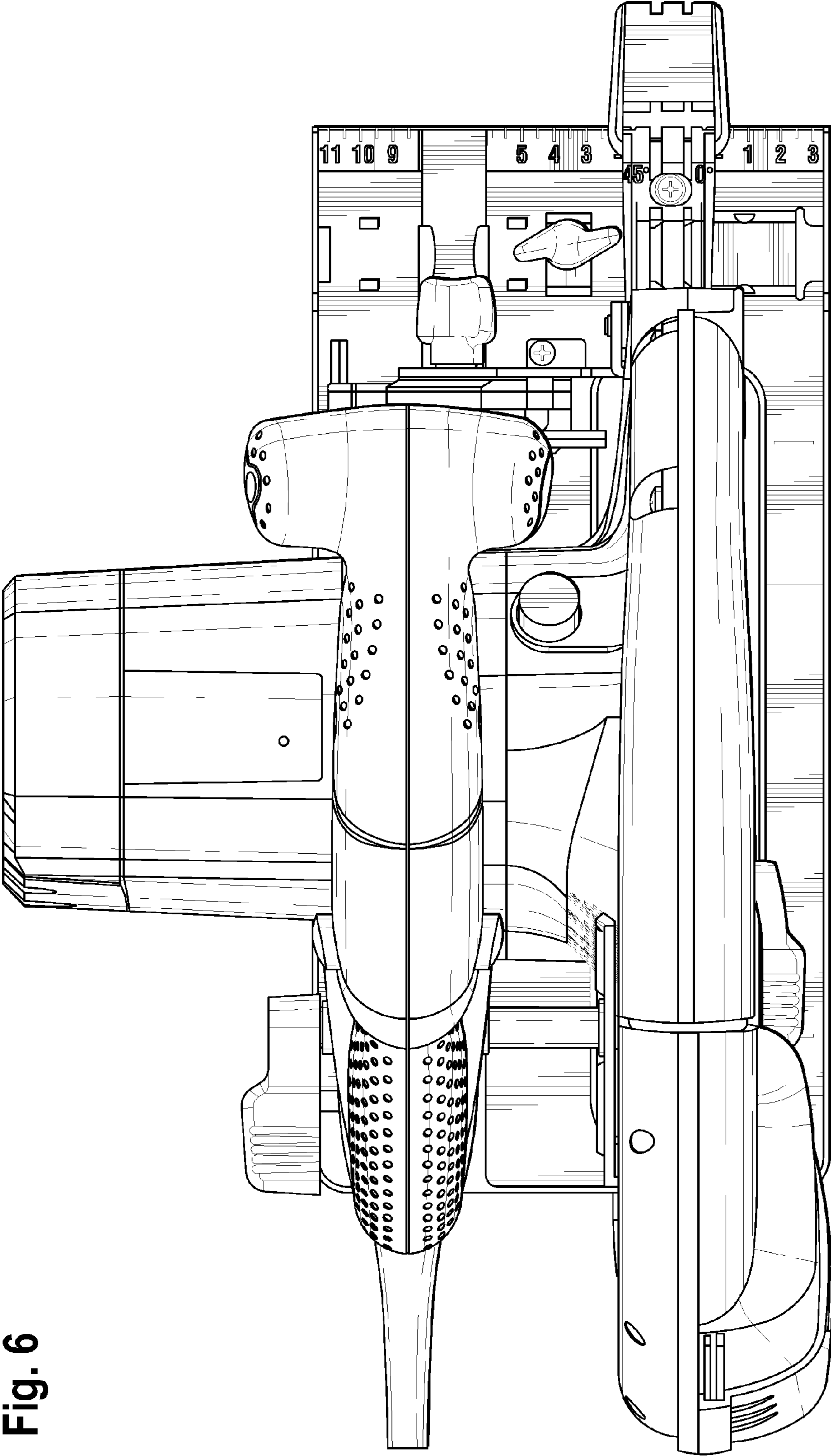


Fig. 6

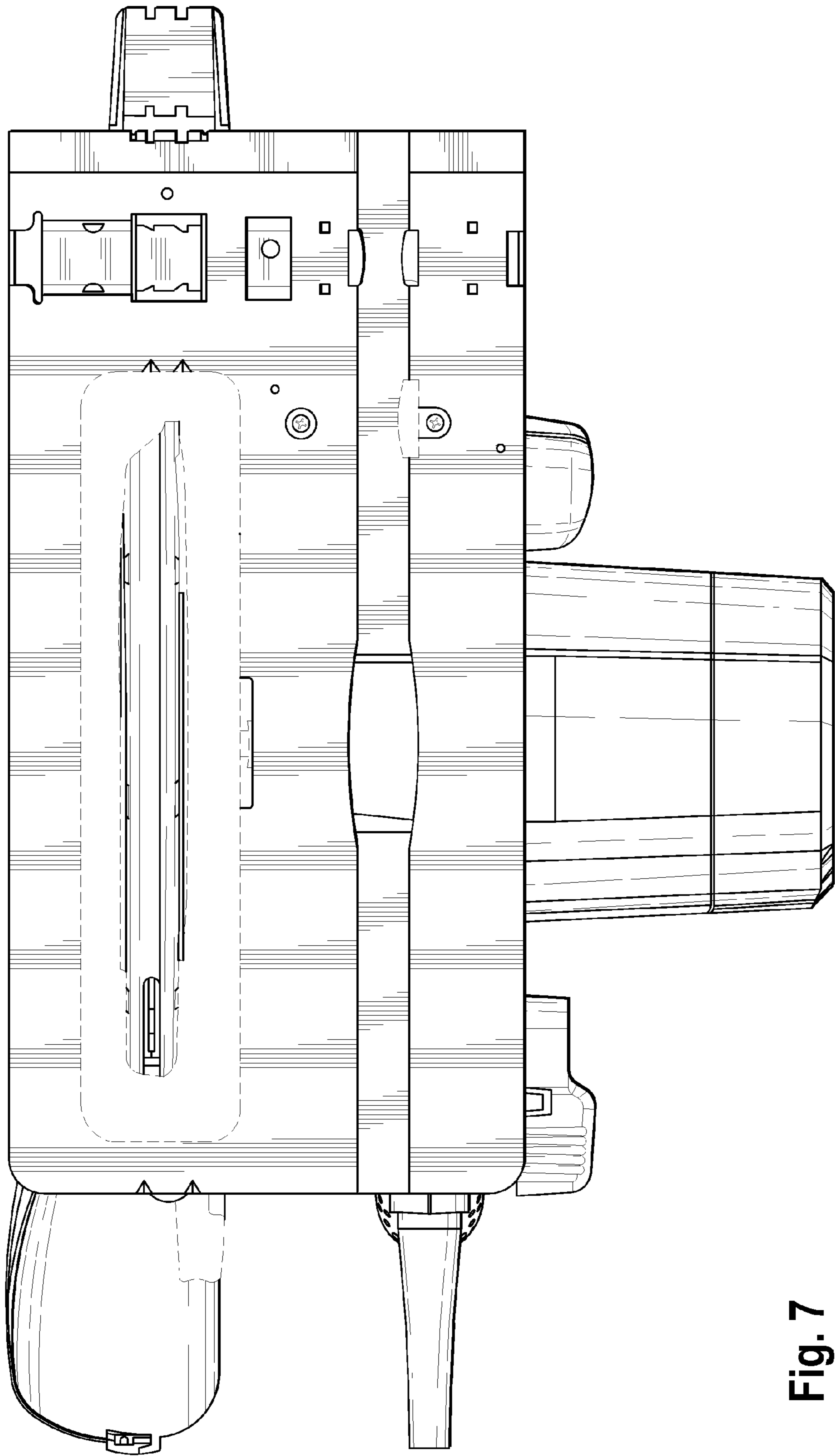


Fig. 7