



US00D631717S

(12) **United States Design Patent**
Aglassinger

(10) **Patent No.:** **US D631,717 S**

(45) **Date of Patent:** **** Feb. 1, 2011**

(54) **MARBLE SAW**

(75) Inventor: **Hans-Peter Aglassinger**, Esslingen (DE)

(73) Assignee: **Robert Bosch GmbH**, Stuttgart (DE)

(**) Term: **14 Years**

(21) Appl. No.: **29/345,163**

(22) Filed: **Oct. 12, 2009**

(30) **Foreign Application Priority Data**

May 26, 2009 (EM) 001140818

(51) **LOC (9) Cl.** **08-03**

(52) **U.S. Cl.** **D8/66**

(58) **Field of Classification Search** D8/69,
D8/68, 67, 66, 64, 61, 70; 83/698.41, 747,
83/166.3, 374, 373, 375, 376, 391, 377, 390,
83/388, 389; 125/13.01; 144/218; D21/532
See application file for complete search history.

(56) **References Cited**

U.S. PATENT DOCUMENTS

- D334,523 S * 4/1993 Hoshino et al. D8/66
- D378,488 S * 3/1997 Ito et al. D8/66
- 5,758,425 A * 6/1998 Gallagher et al. 30/376
- 5,782,001 A * 7/1998 Gray 30/391
- 5,794,351 A * 8/1998 Campbell et al. 30/390
- 5,832,614 A * 11/1998 Gallagher et al. 30/391
- D408,248 S * 4/1999 Zurwelle et al. D8/66
- D503,878 S * 4/2005 Tillman et al. D8/66

- D509,118 S * 9/2005 Schoen D8/66
- D520,319 S * 5/2006 Aglassinger D8/66
- D522,831 S * 6/2006 Andriolo D8/66
- D522,832 S * 6/2006 Hastie D5/66
- D538,124 S * 3/2007 Yamamoto et al. D8/66
- D539,108 S * 3/2007 Roberts D8/66
- D559,645 S * 1/2008 Okuda et al. D8/66
- D567,612 S * 4/2008 Wright et al. D8/66
- D573,432 S * 7/2008 Gavins D8/66
- D578,853 S * 10/2008 Gallagher et al. D8/66

* cited by examiner

Primary Examiner—Austin Murphy

(74) *Attorney, Agent, or Firm*—Victor A. Henzi

(57) **CLAIM**

The ornamental design for the marble saw, as shown and described.

DESCRIPTION

FIG. 1 is a front left perspective view of the marble saw;

FIG. 2 is a right elevational view thereof;

FIG. 3 is a left elevational view thereof;

FIG. 4 is a front elevational view thereof;

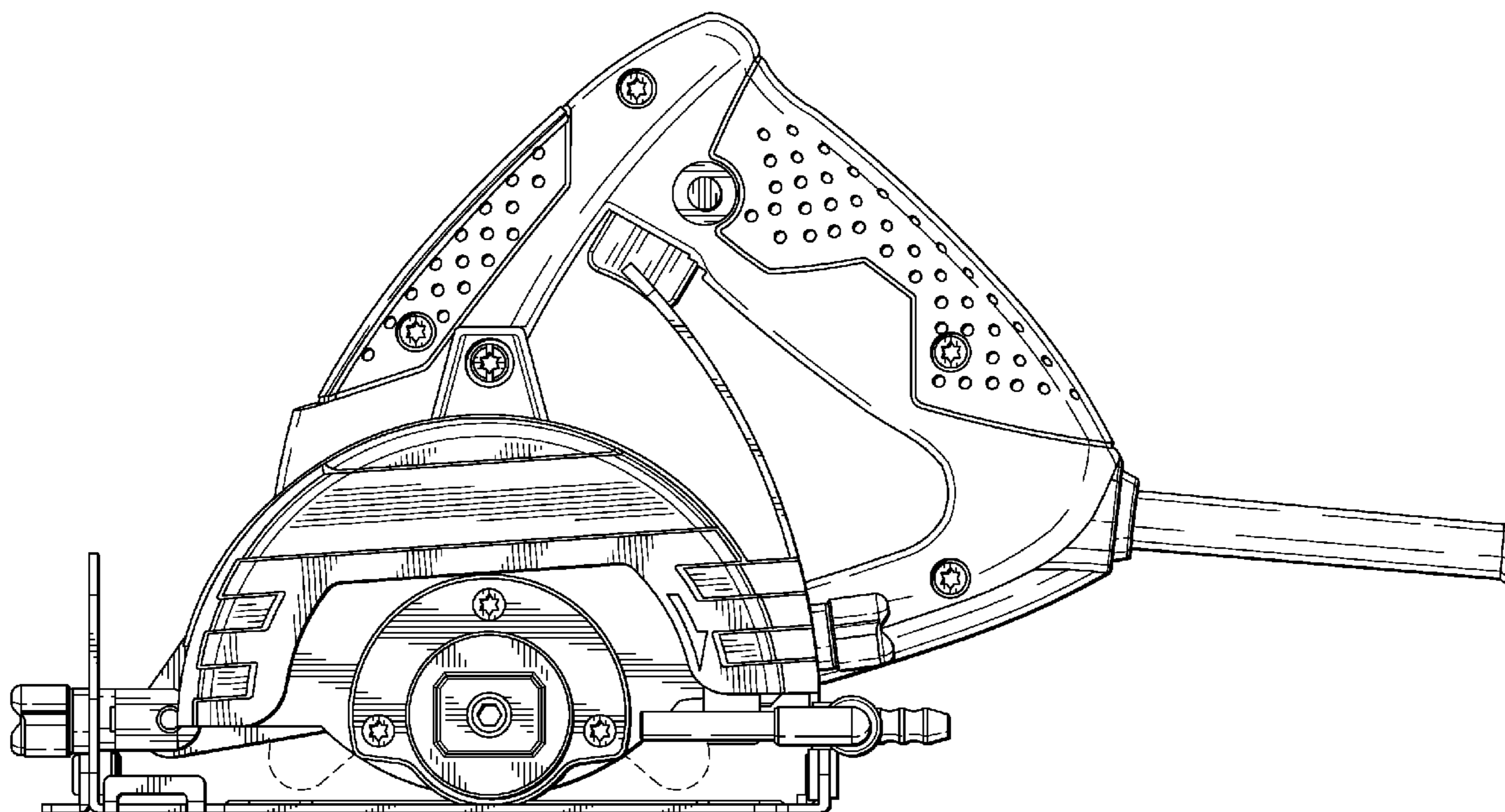
FIG. 5 is a rear elevational view thereof;

FIG. 6 is a top plan view thereof; and,

FIG. 7 is a bottom plan view thereof.

The broken lines and structures they depict form no part of the claimed design.

1 Claim, 7 Drawing Sheets



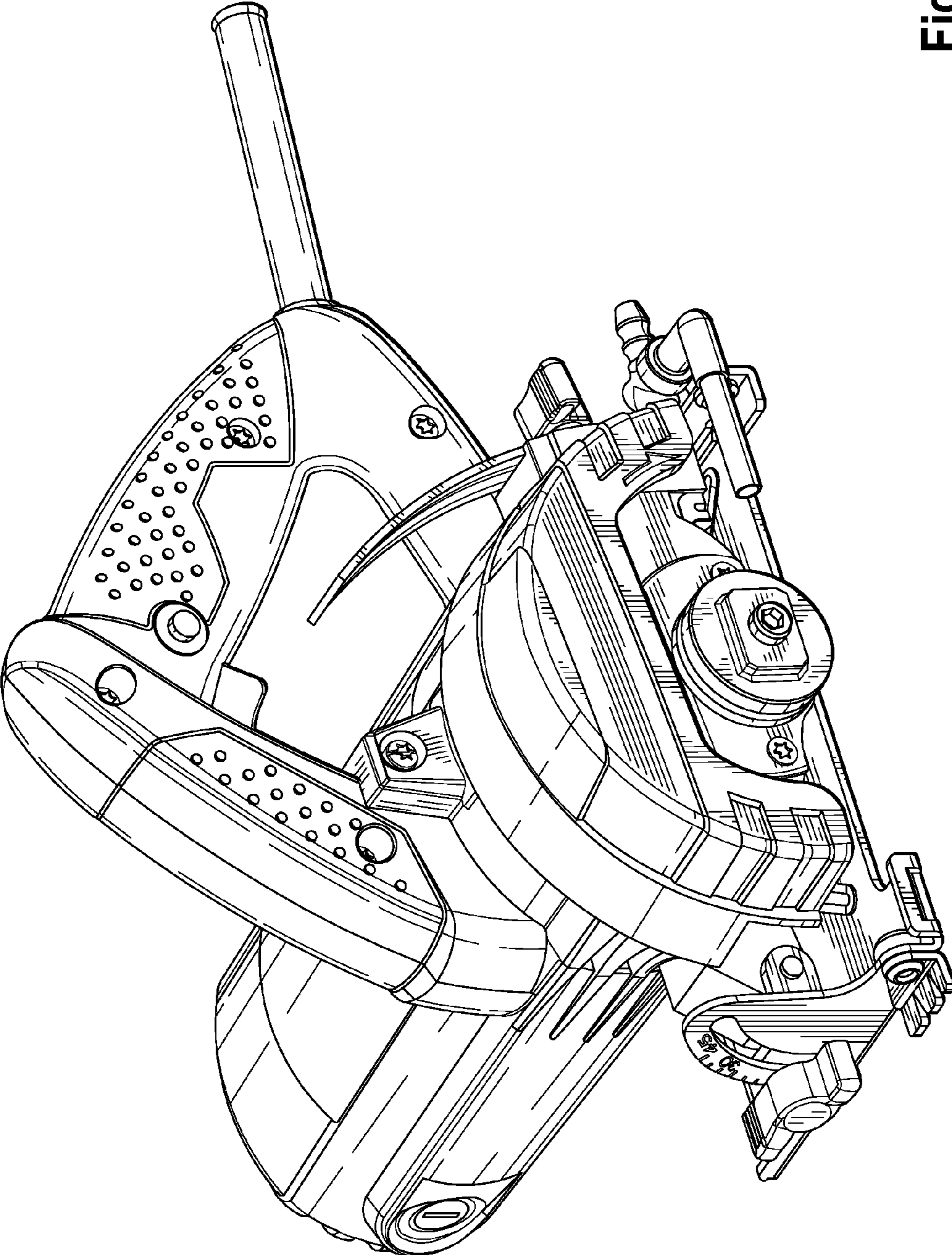


Fig. 1

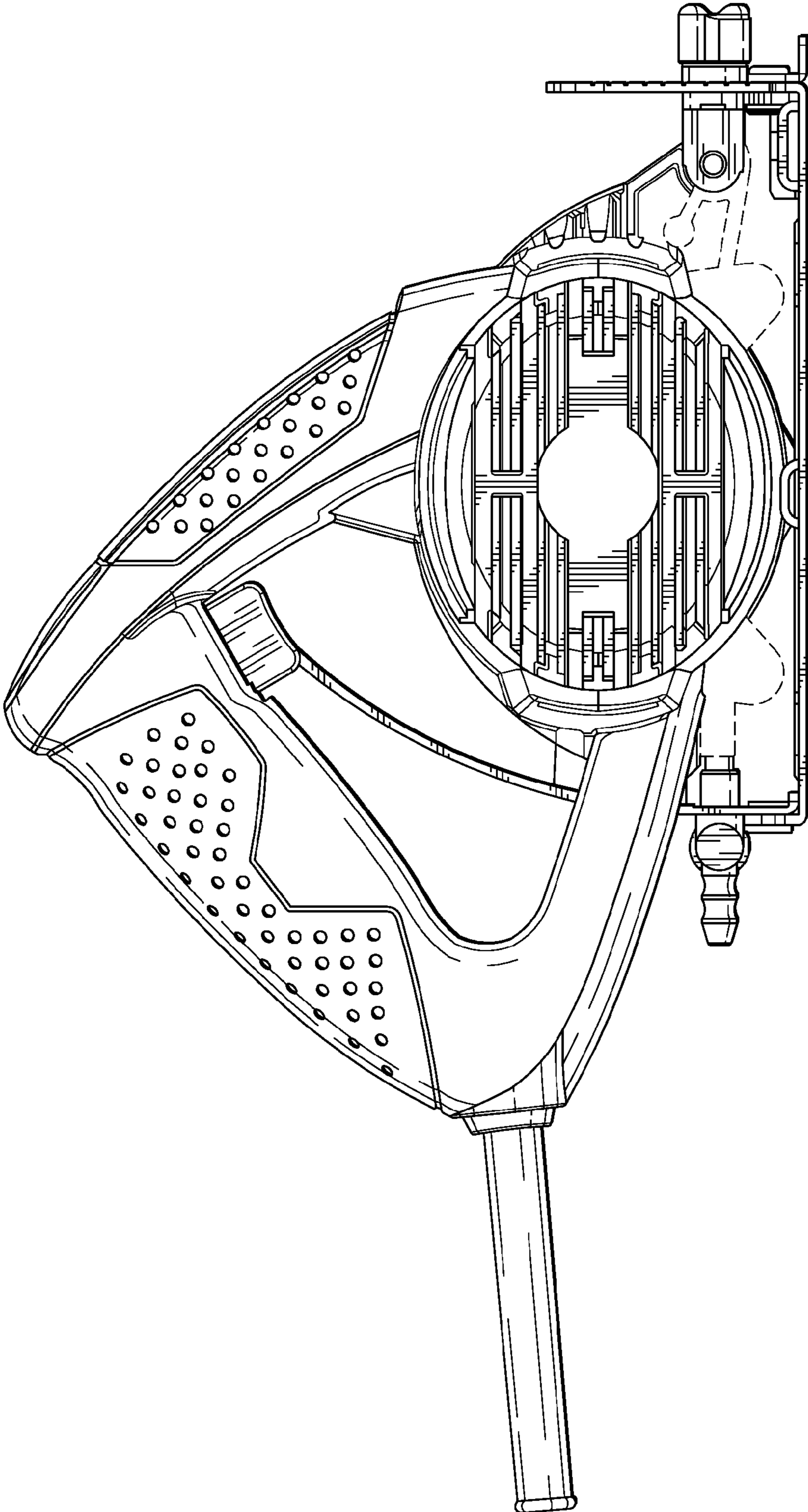


Fig. 2

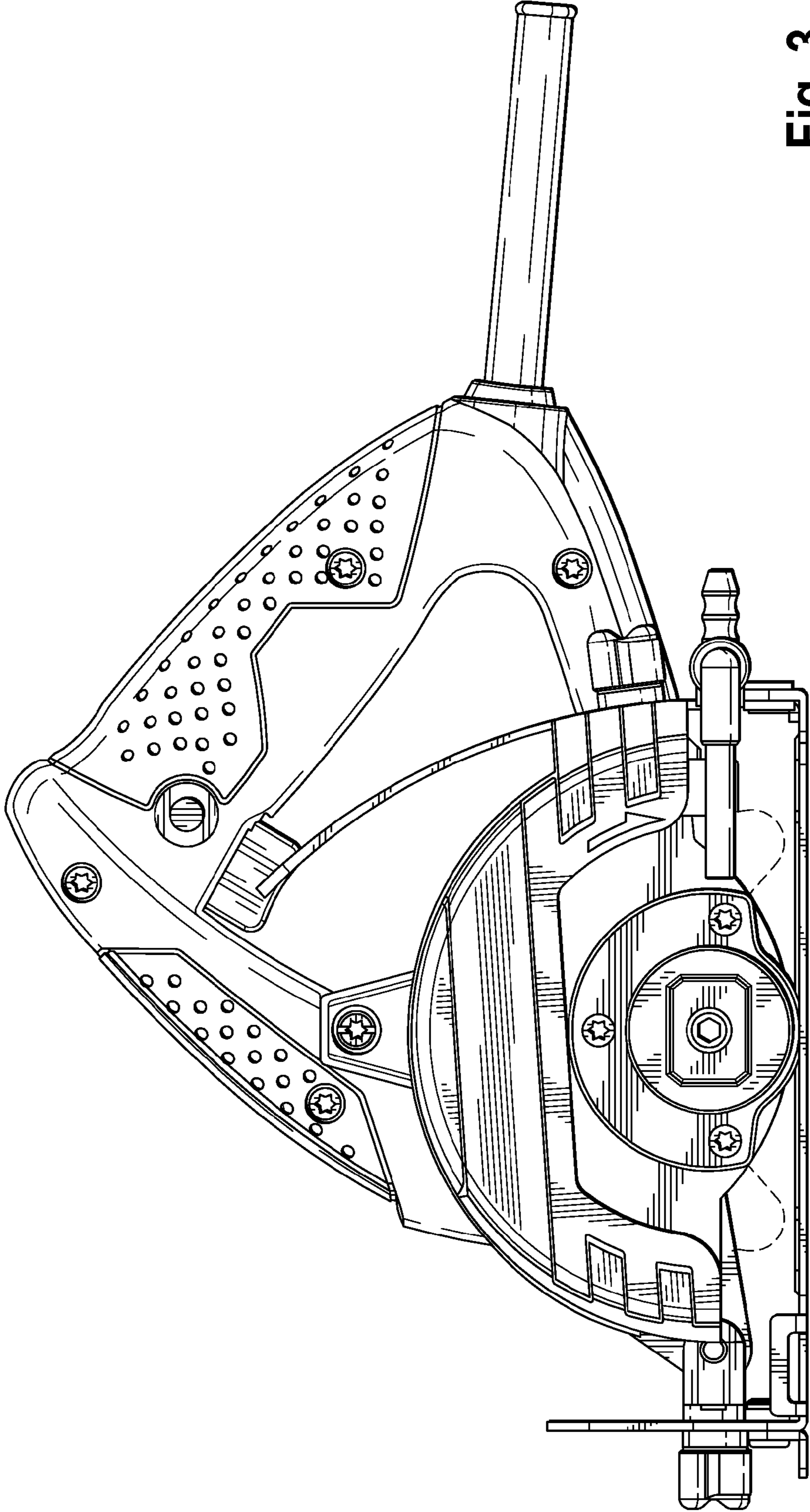


Fig. 3

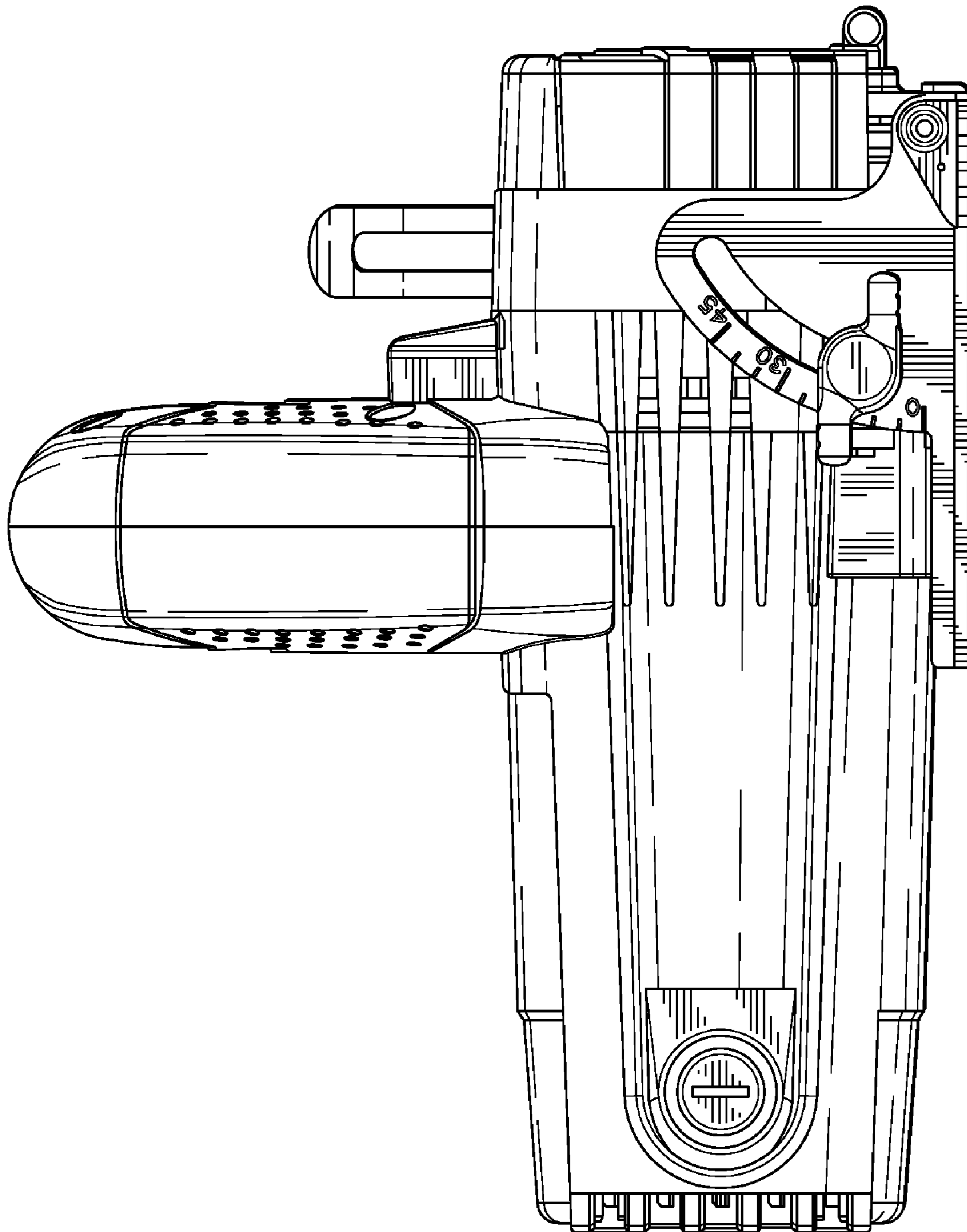


Fig. 4

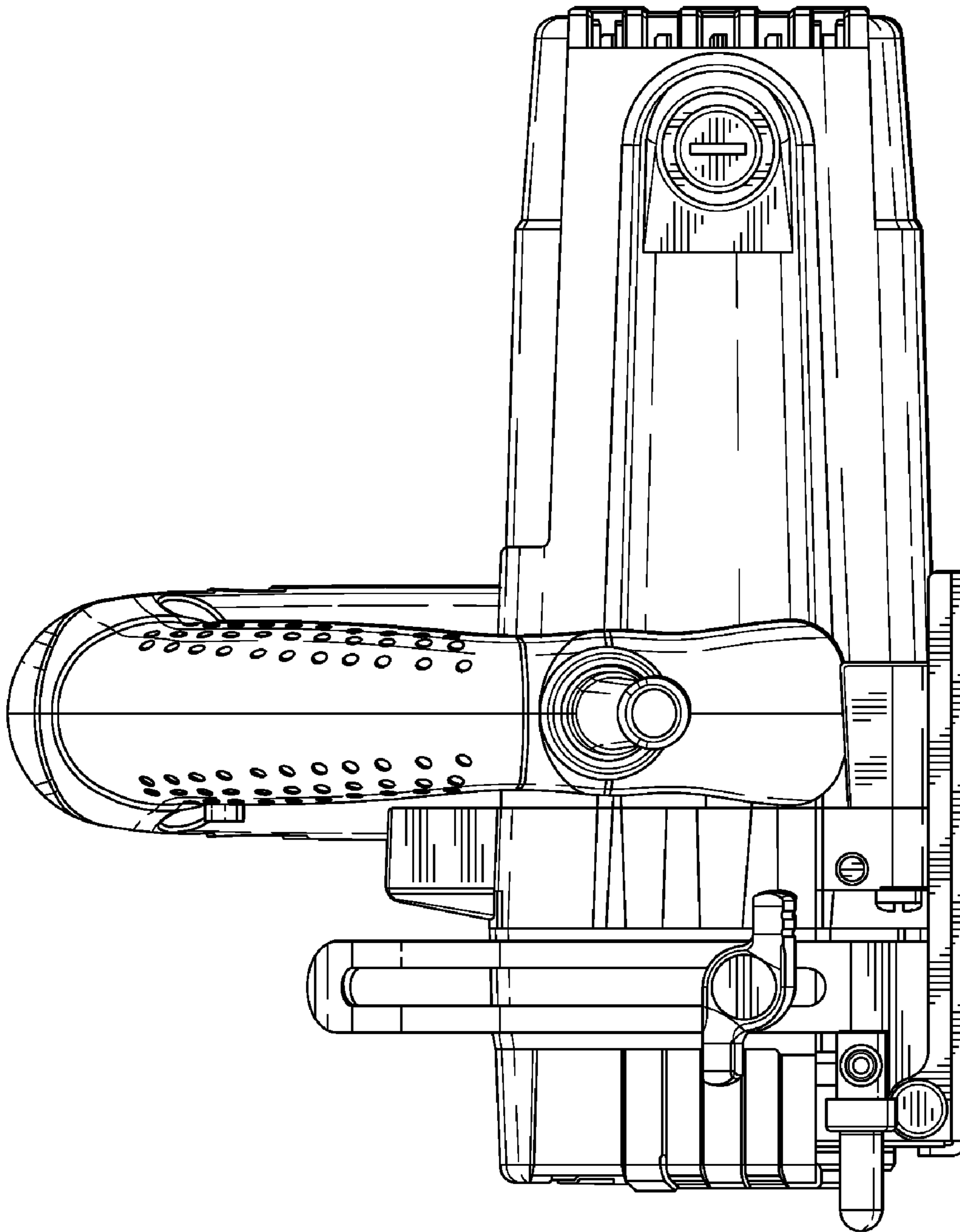


Fig. 5

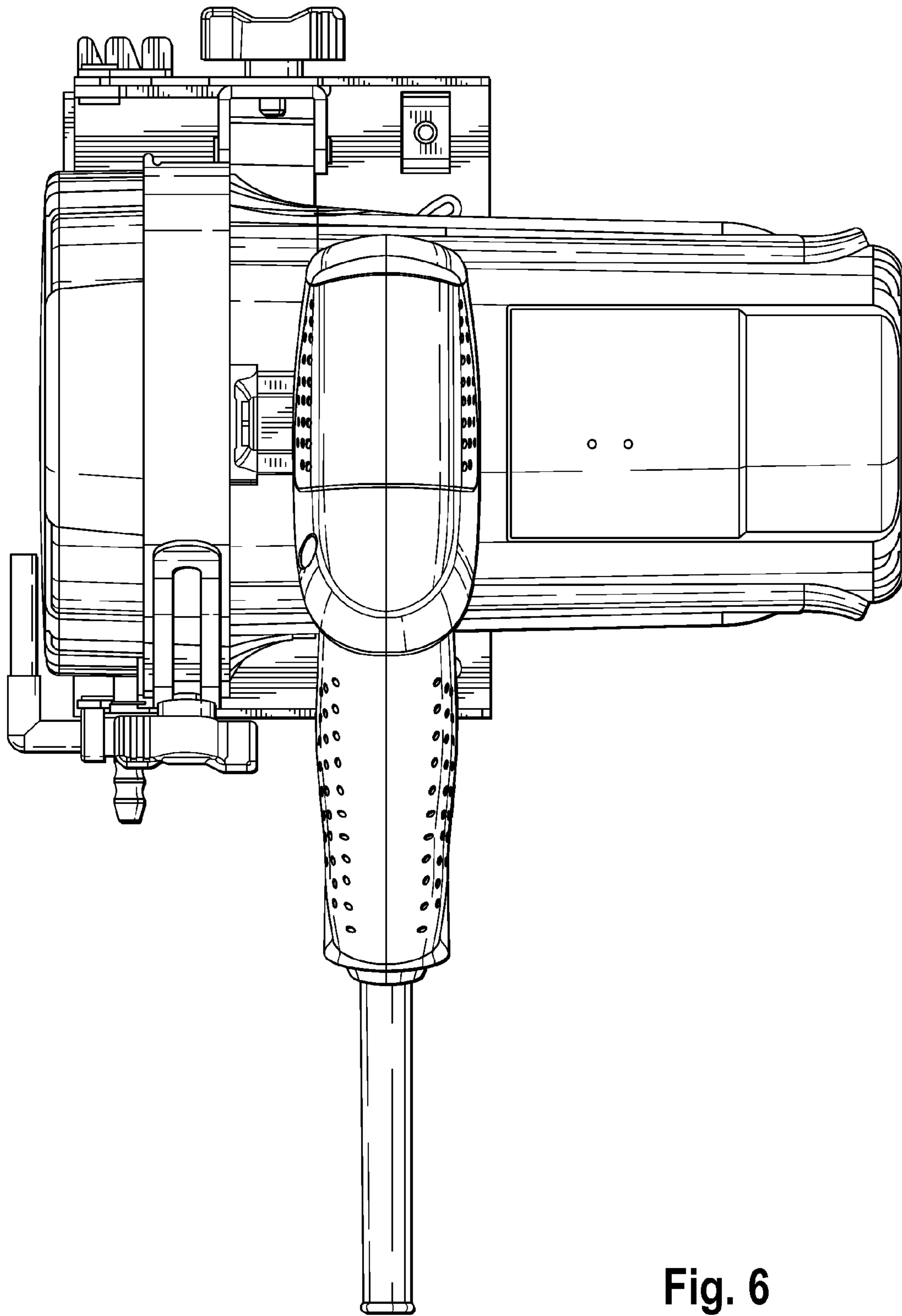


Fig. 6

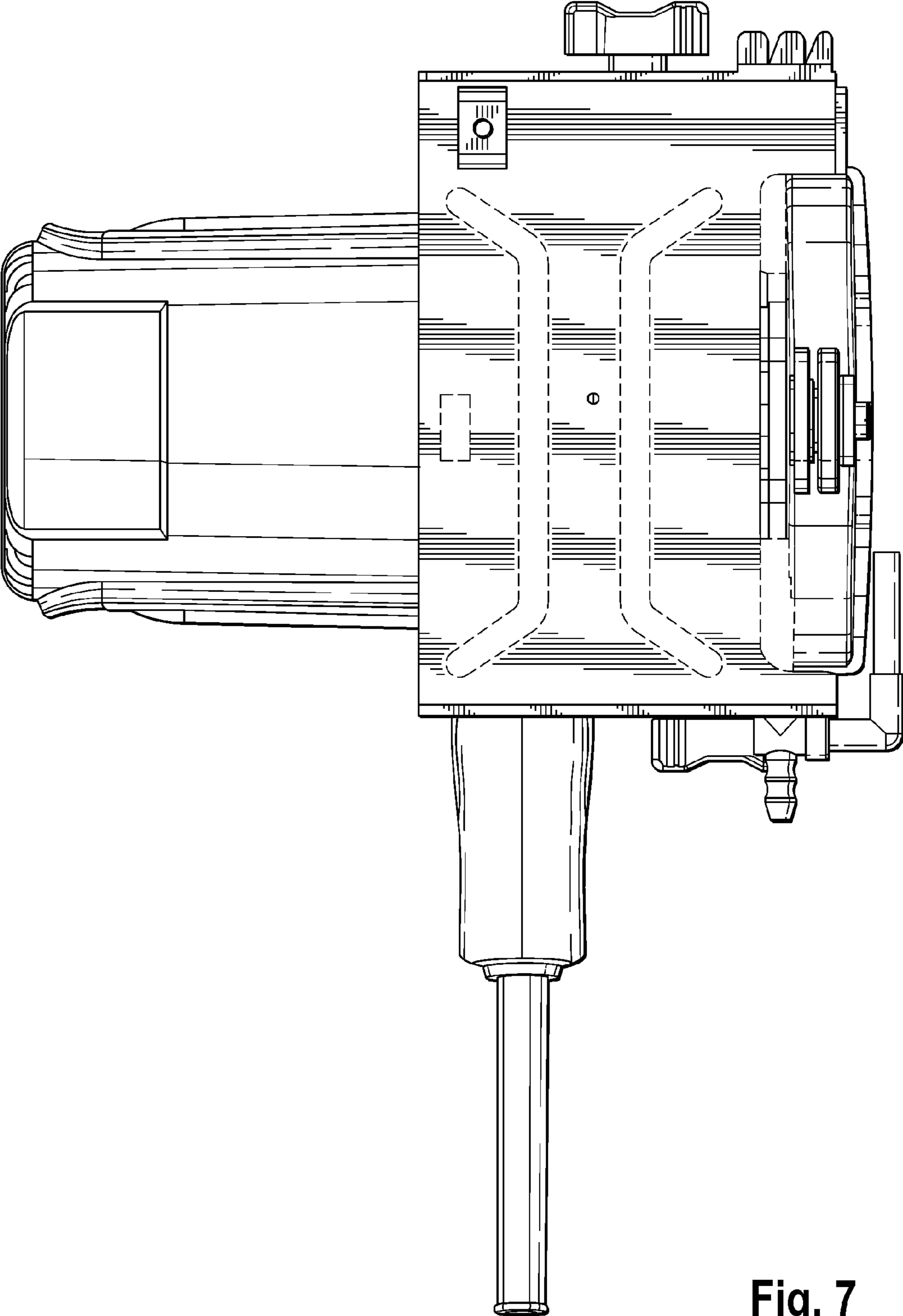


Fig. 7