



US00D631715S

(12) **United States Design Patent**
Cardew

(10) **Patent No.:** **US D631,715 S**

(45) **Date of Patent:** **** Feb. 1, 2011**

(54) **BEVELED CHISEL TIP**

(76) **Inventor:** **Tobias M N F Cardew**, 20179 Kenyon
Concession 1, Alexandria, ON (CA) K0C
1A0

(**) **Term:** **14 Years**

(21) **Appl. No.:** **29/336,821**

(22) **Filed:** **May 9, 2009**

(51) **LOC (9) Cl.** **08-03**

(52) **U.S. Cl.** **D8/47; D8/19**

(58) **Field of Classification Search** D8/14,
D8/19-20, 47, 88, 89, 98; D15/131, 138,
D15/139; D21/500, 501, 504; 30/167, 169;
81/488; 407/103, 113

See application file for complete search history.

(56) **References Cited**

U.S. PATENT DOCUMENTS

143,413	A *	10/1873	Jellife	30/167
404,554	A *	6/1889	Palmer	30/167
740,937	A *	10/1903	Smith	30/167.1
1,082,802	A *	12/1913	Full	30/315
D45,277	S *	2/1914	Vaughan	D8/47
D45,527	S *	3/1914	Graham	D8/47
1,392,627	A *	10/1921	Doman	30/167
1,493,176	A *	5/1924	Wood	30/167
1,569,164	A *	1/1926	Widmer	30/167
1,620,923	A *	3/1927	Shaver	7/145
2,083,123	A *	6/1937	Quick	30/167
2,359,408	A *	10/1944	Disse	30/169
3,545,060	A *	12/1970	Kezran	407/103
3,803,667	A *	4/1974	Rose	606/1
D237,037	S *	10/1975	Brunosson	D8/47
D258,659	S *	3/1981	Nystrom et al.	D15/139
4,349,961	A *	9/1982	Pendleton	30/168
4,466,167	A *	8/1984	Hoffman	29/275
4,466,851	A *	8/1984	Hoffman	156/344
5,301,429	A *	4/1994	Bundy	30/169
D386,655	S *	11/1997	Spirer	D8/20
D386,657	S *	11/1997	Spirer	D8/47
D390,238	S *	2/1998	Fujimoto	D15/139

5,924,826	A *	7/1999	Bystrom et al.	407/103
5,953,820	A *	9/1999	Vasudeva	30/125
5,966,818	A *	10/1999	Spirer	30/167
7,082,686	B2 *	8/2006	Anderson	30/169
7,257,896	B2 *	8/2007	Kurtz	30/167
D596,472	S *	7/2009	Cook	D8/47
2004/0134077	A1 *	7/2004	Martin et al.	30/167
2007/0062046	A1 *	3/2007	Hsu	30/167
2008/0189957	A1 *	8/2008	Kasper	30/167
2008/0282548	A1 *	11/2008	Oikarinen et al.	30/169

* cited by examiner

Primary Examiner—Philip S Hyder

Assistant Examiner—Roselyne Cody

(74) *Attorney, Agent, or Firm*—David Kiewit

(57) **CLAIM**

The ornamental design for a beveled chisel tip, as shown and described.

DESCRIPTION

FIG. 1 is an exploded right side view of a beveled chisel tip adjacent a chisel body;

FIG. 2 is an exploded perspective view of the beveled chisel tip adjacent a chisel body;

FIG. 3 is a top view of a beveled chisel tip showing my new design;

FIG. 4 is a bottom view thereof;

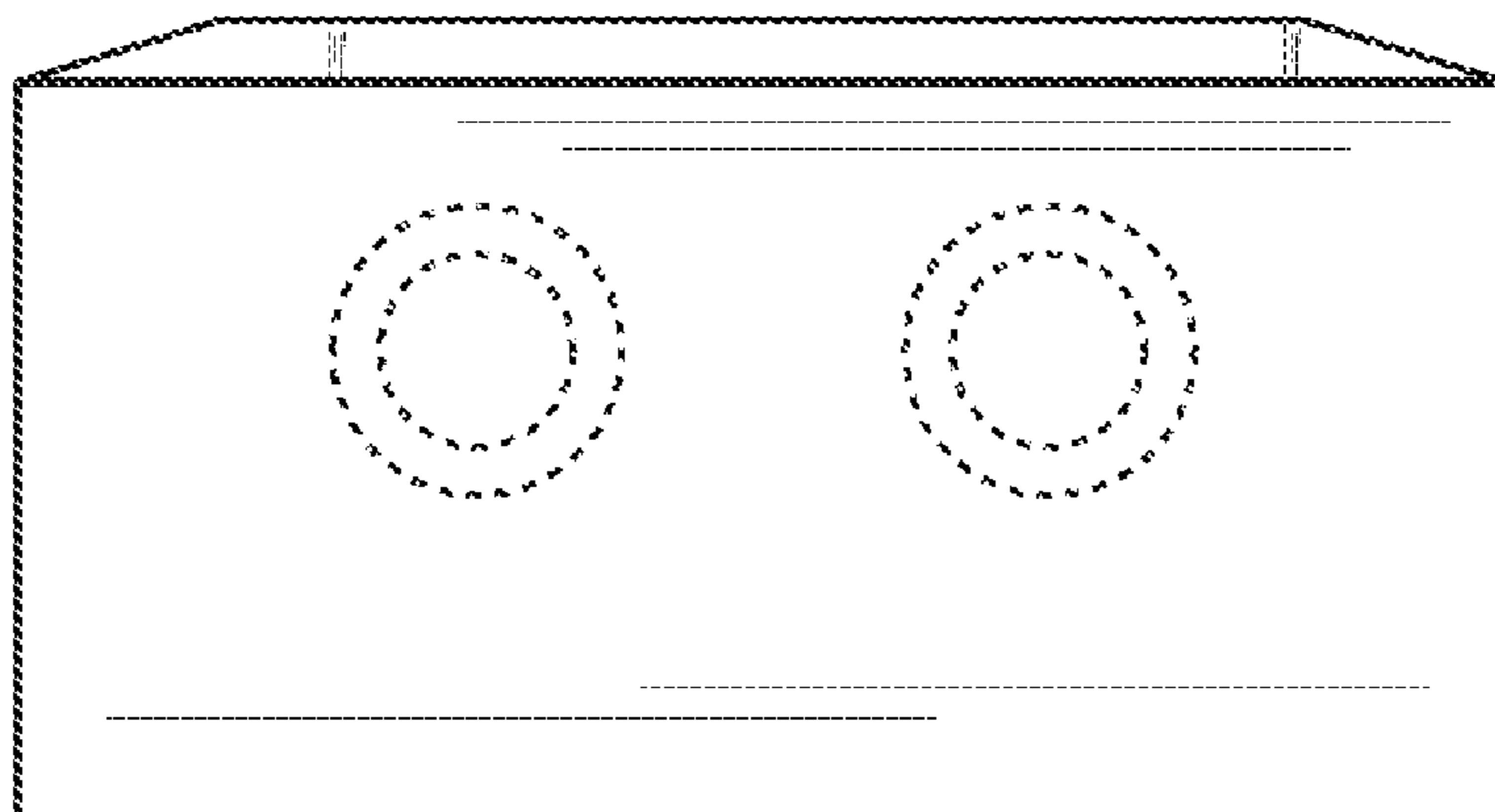
FIG. 5 is a perspective view thereof;

FIG. 6 is a front view thereof, the rear view being a mirror image; and,

FIG. 7 is a left side view thereof, the right side view being a mirror image.

The broken lines in FIGS. 1 and 2, illustrating a chisel body, are directed to environment and form no part of the claimed design. The broken lines in FIGS. 1-5 that illustrate screws and screw holes illustrate portions of the design that form no part of the claim.

1 Claim, 2 Drawing Sheets



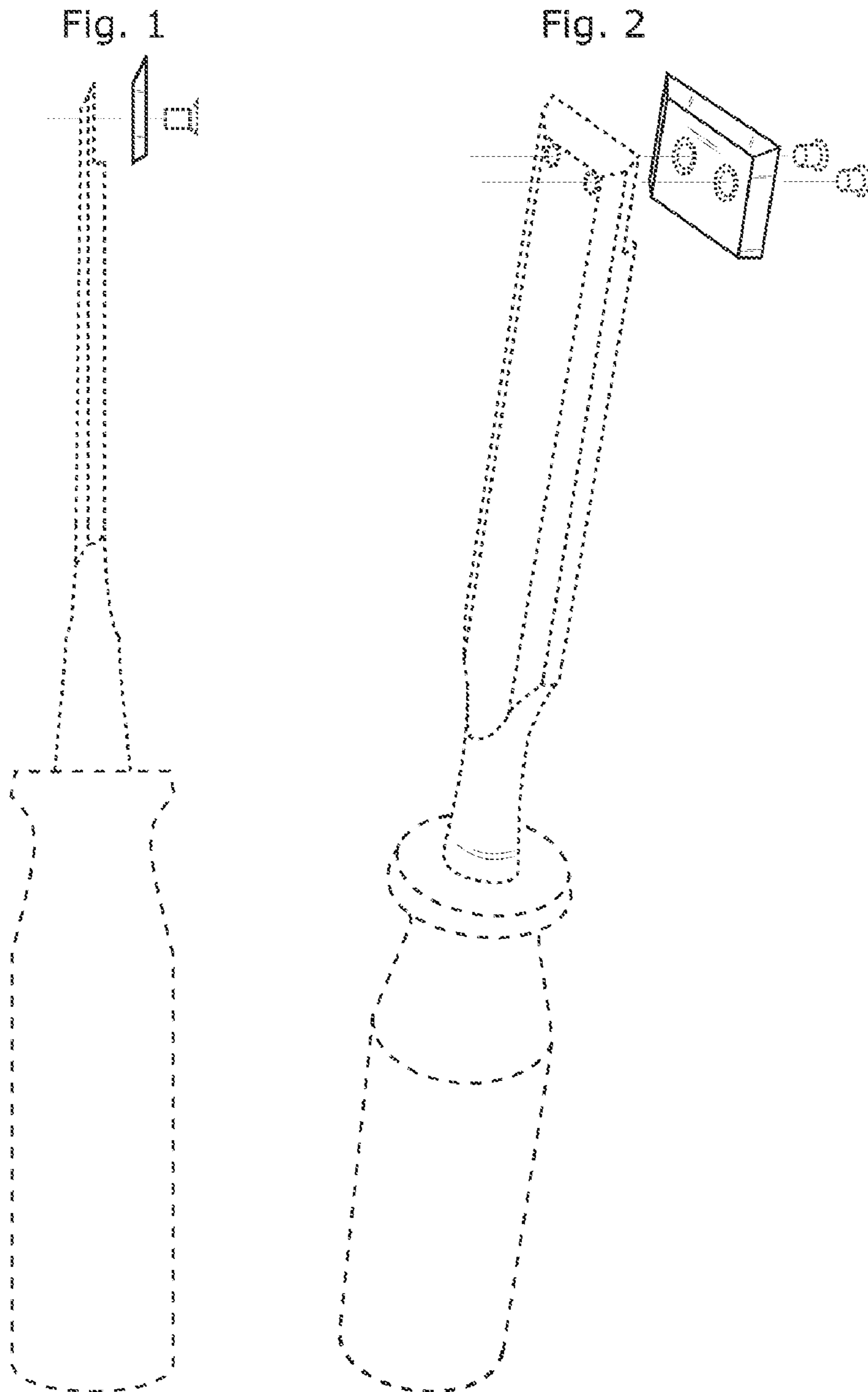


Fig 3

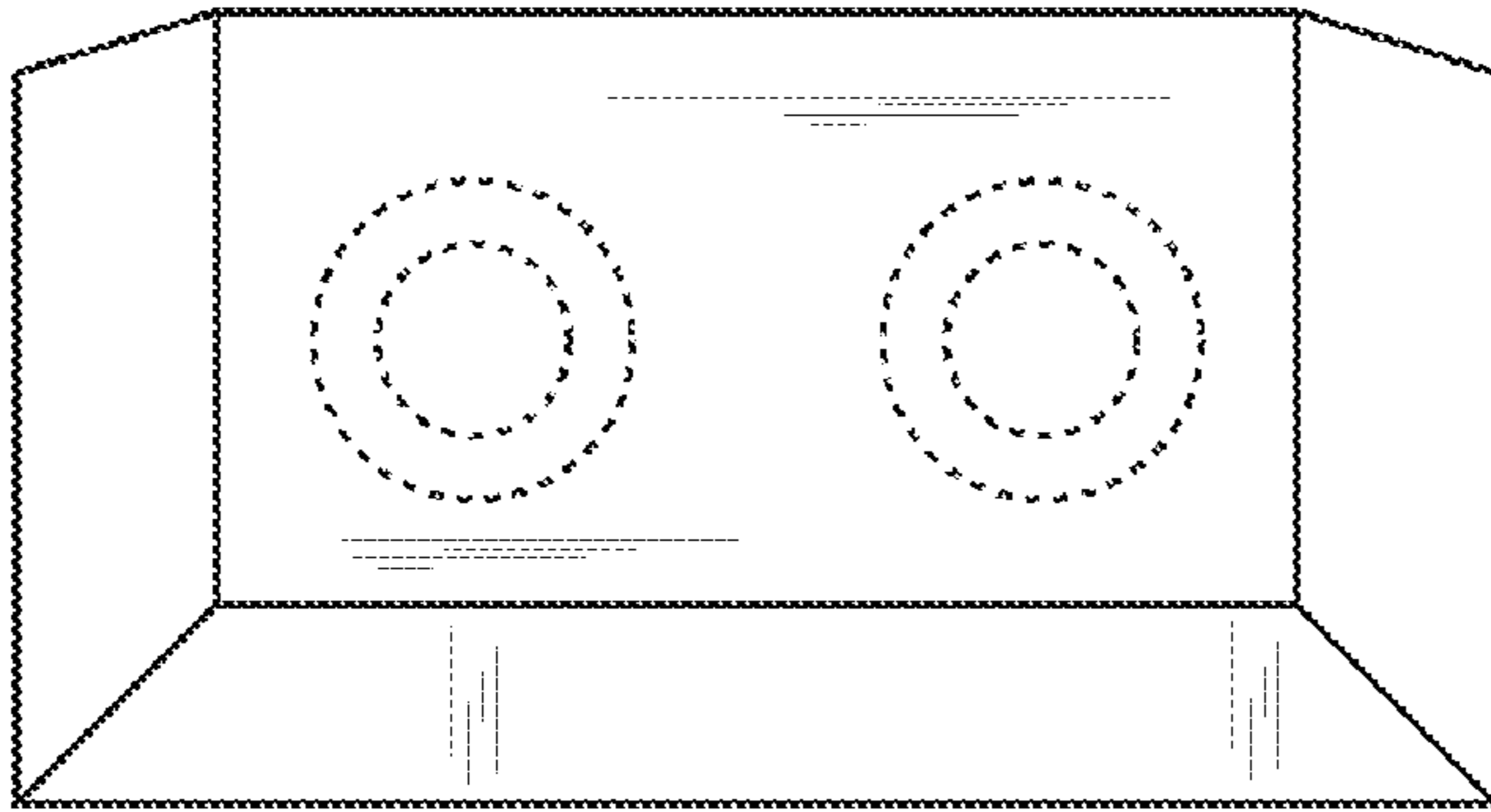


Fig 4

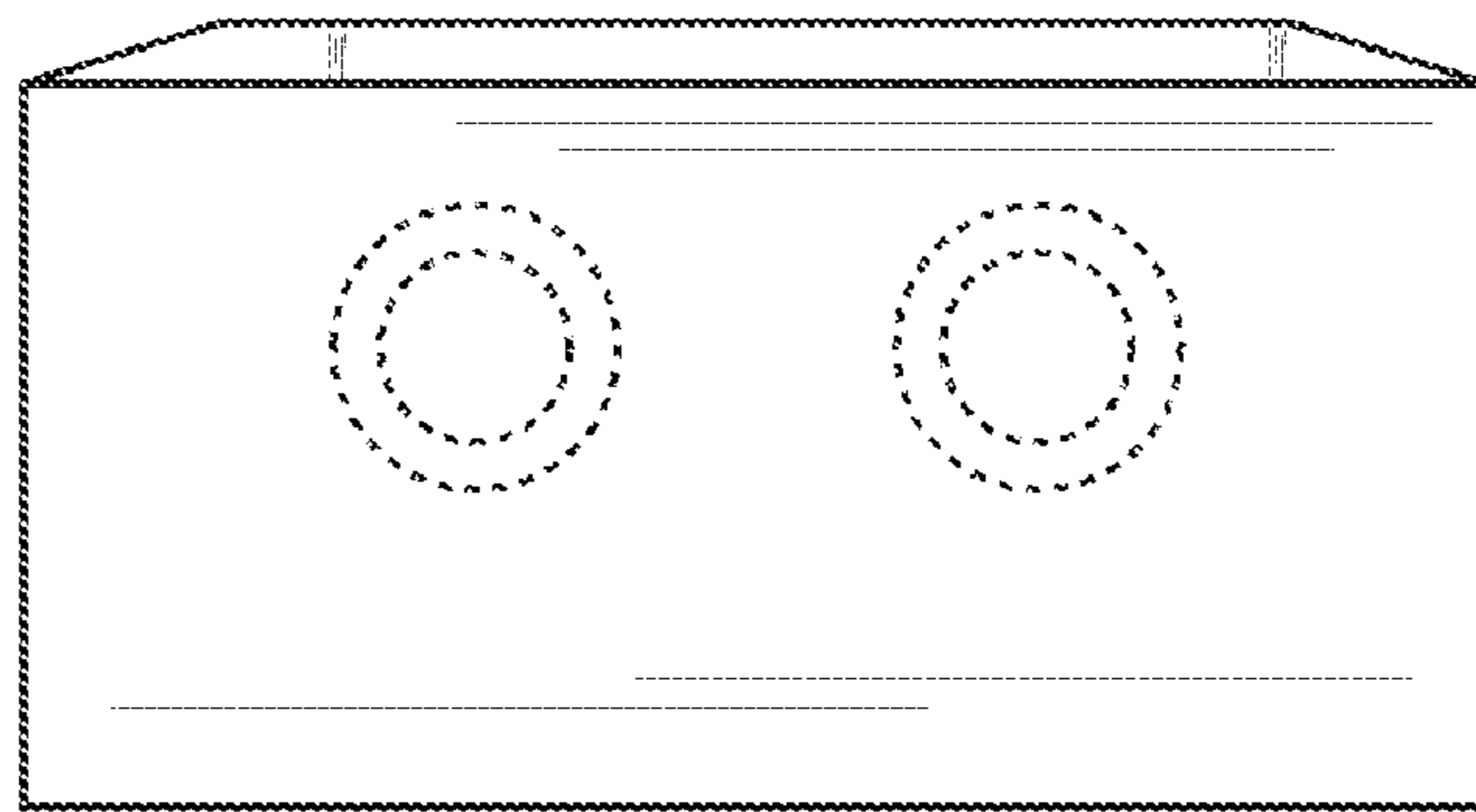


Fig 5

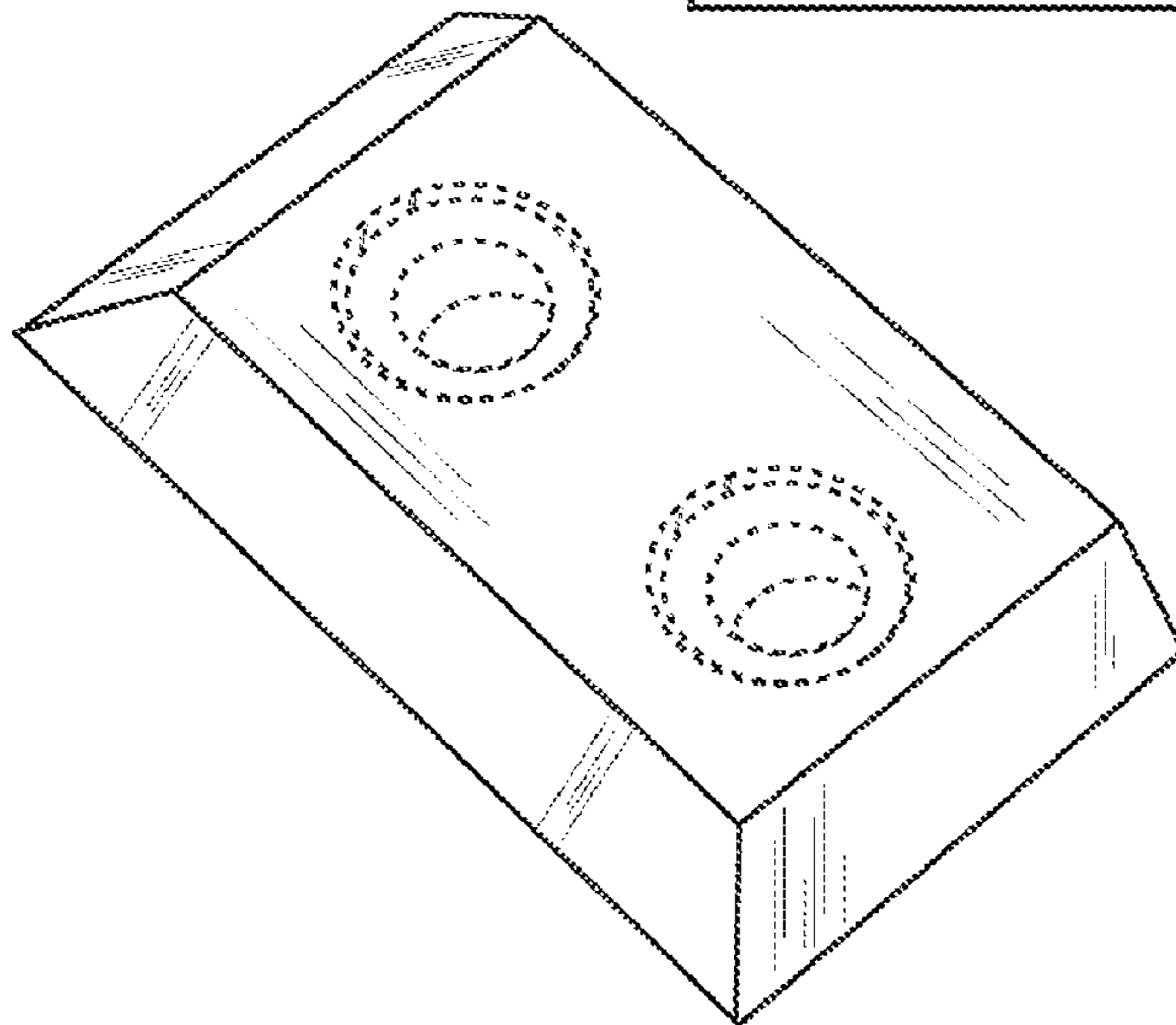


Fig 6



Fig 7

