



US00D631705S

(12) **United States Design Patent**
Balestriero et al.

(10) **Patent No.:** **US D631,705 S**

(45) **Date of Patent:** **** Feb. 1, 2011**

(54) **WINE PRESERVATION APPARATUS**

(75) Inventors: **Christophe Balestriero**, Pouilly le Monial (FR); **Cedric Waroux**, Meyzieu (FR); **Didier Serre**, Lyons (FR); **Pierric Le Moullac**, Mornant (FR); **Paul Rivier**, Rumilly (FR)

(73) Assignee: **Eurocave SA**, Villeurbanne (FR)

(**) Term: **14 Years**

(21) Appl. No.: **29/305,687**

(22) Filed: **Mar. 26, 2008**

(30) **Foreign Application Priority Data**

Sep. 28, 2007 (EM) 000798343-0001

(51) **LOC (9) Cl.** **07-01**

(52) **U.S. Cl.** **D7/601**

(58) **Field of Classification Search** D7/601, D7/605, 619.1, 368, 701, 703; D6/432, 445-446, D6/449, 454; D15/79, 81, 85; 99/275-277, 99/277.1, 467-468, 478

See application file for complete search history.

(56) **References Cited**

U.S. PATENT DOCUMENTS

2,963,188 A * 12/1960 Palermo 215/12.2
6,508,163 B1 * 1/2003 Weatherill 99/323.1
D469,787 S * 2/2003 Wicker D15/79

D471,922 S * 3/2003 Sawhney et al. D15/81
D497,517 S * 10/2004 Reuter D7/605
D499,308 S * 12/2004 Ben-Moshe D7/608
D522,538 S * 6/2006 Chan D15/81
D567,537 S * 4/2008 Mehmen et al. D6/441
D567,828 S * 4/2008 Moran D15/81

* cited by examiner

Primary Examiner—Charles A Rademaker

Assistant Examiner—Dana L Sipos

(74) *Attorney, Agent, or Firm*—Sughrue Mion, PLLC

(57) **CLAIM**

The ornamental design for a wine preservation apparatus, as shown and described.

DESCRIPTION

FIG. 1 is a front closed view of the wine preservation apparatus;

FIG. 2 is a front open view of the wine preservation apparatus;

FIG. 3 is a rear view of the wine preservation apparatus;

FIG. 4 is a right side view of the wine preservation apparatus;

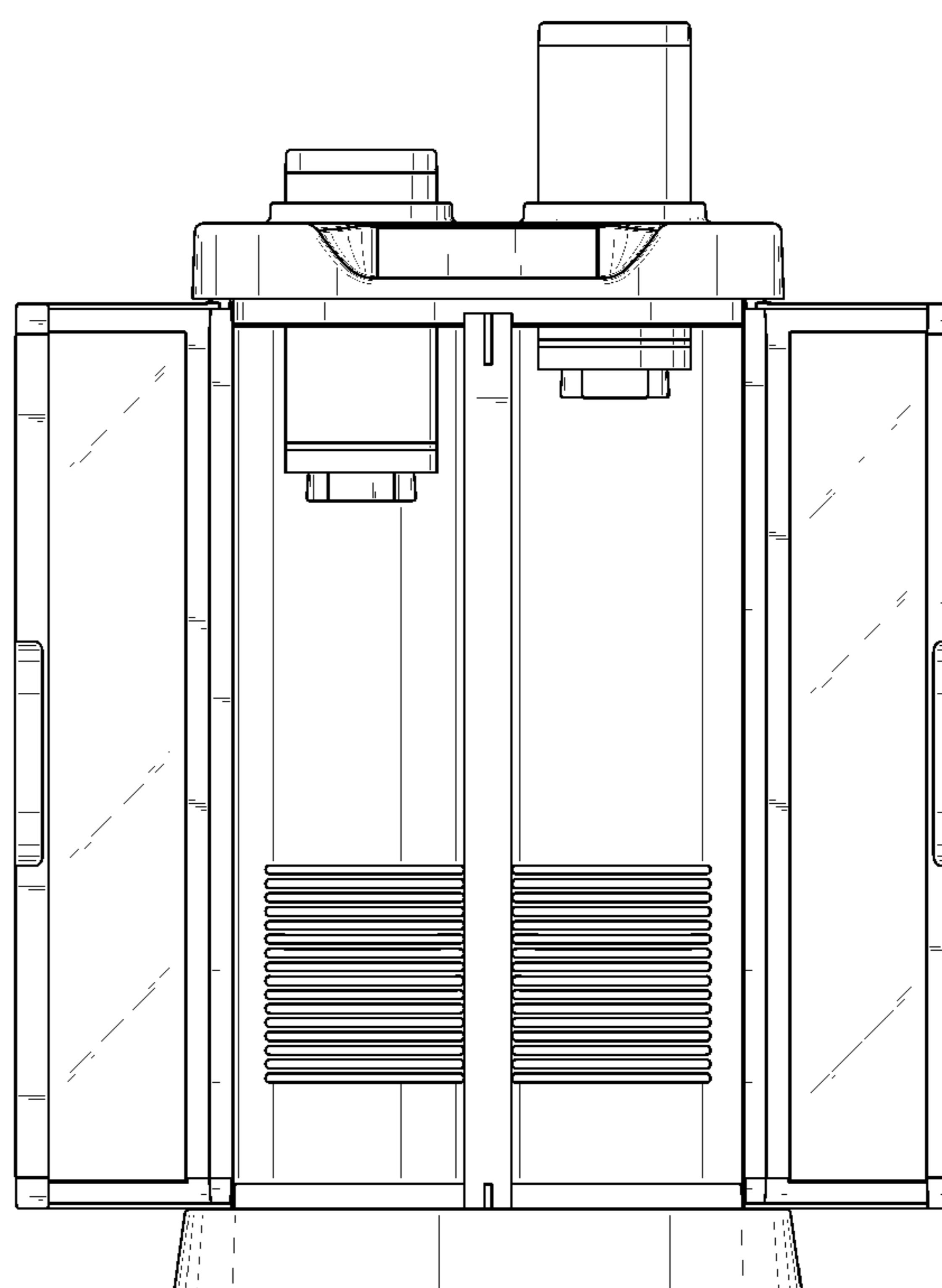
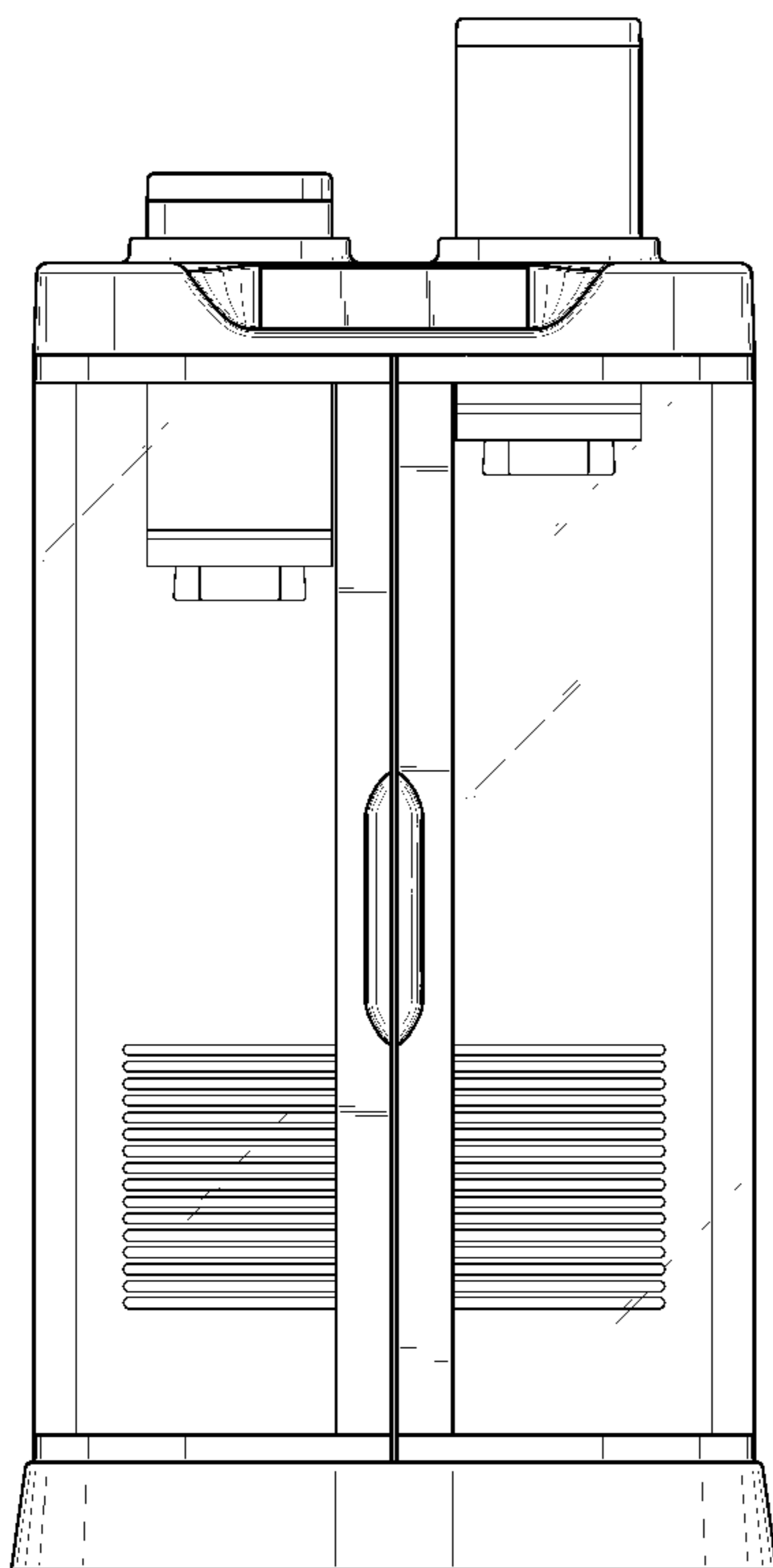
FIG. 5 is a left side view of the wine preservation apparatus;

FIG. 6 is a top view of the wine preservation apparatus; and,

FIG. 7 is a bottom view of the wine preservation apparatus.

Broken lines in the drawing figures are intended to show environmental structure only, and form no part of the claimed design.

1 Claim, 7 Drawing Sheets



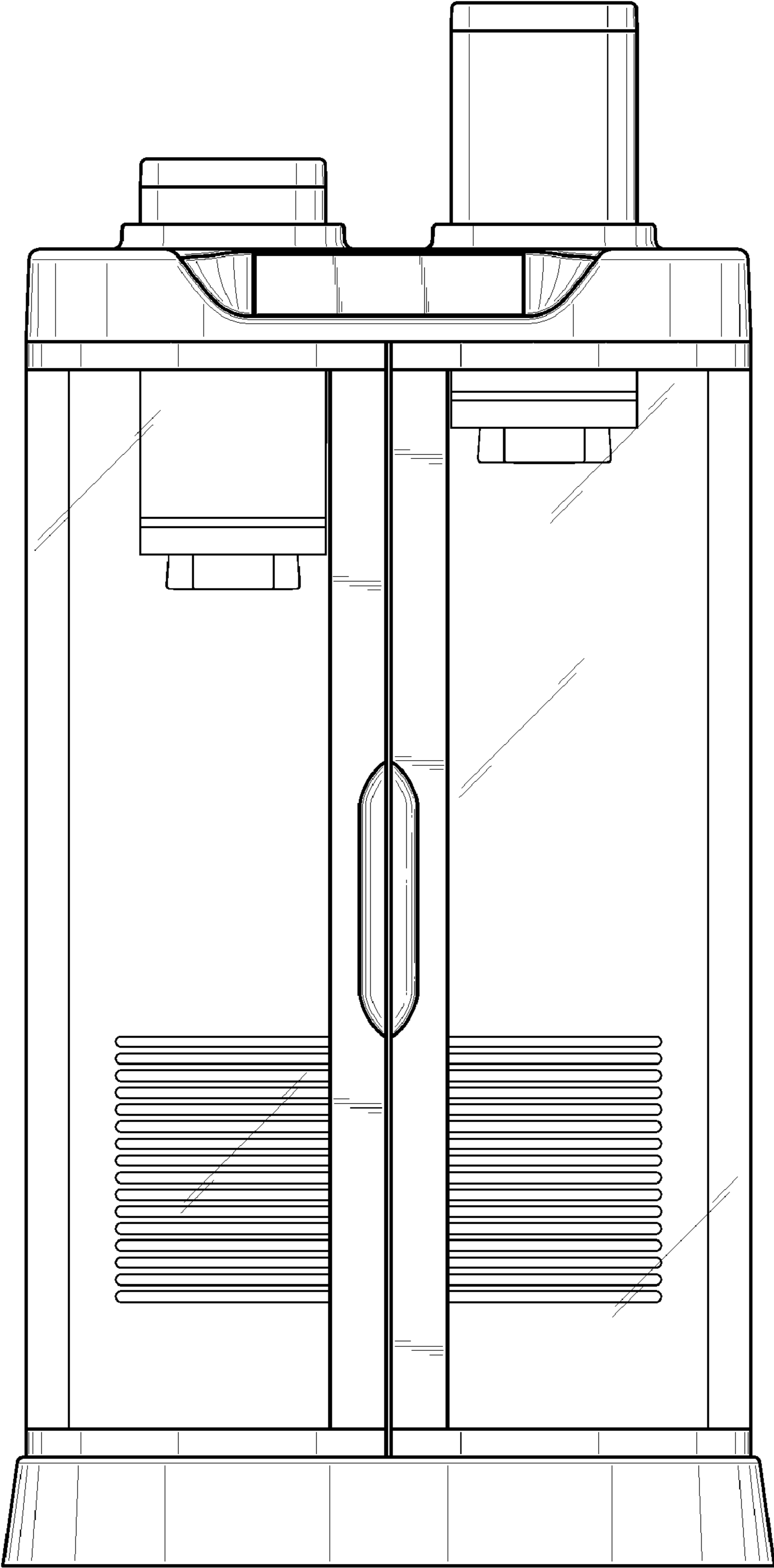


Fig. 1

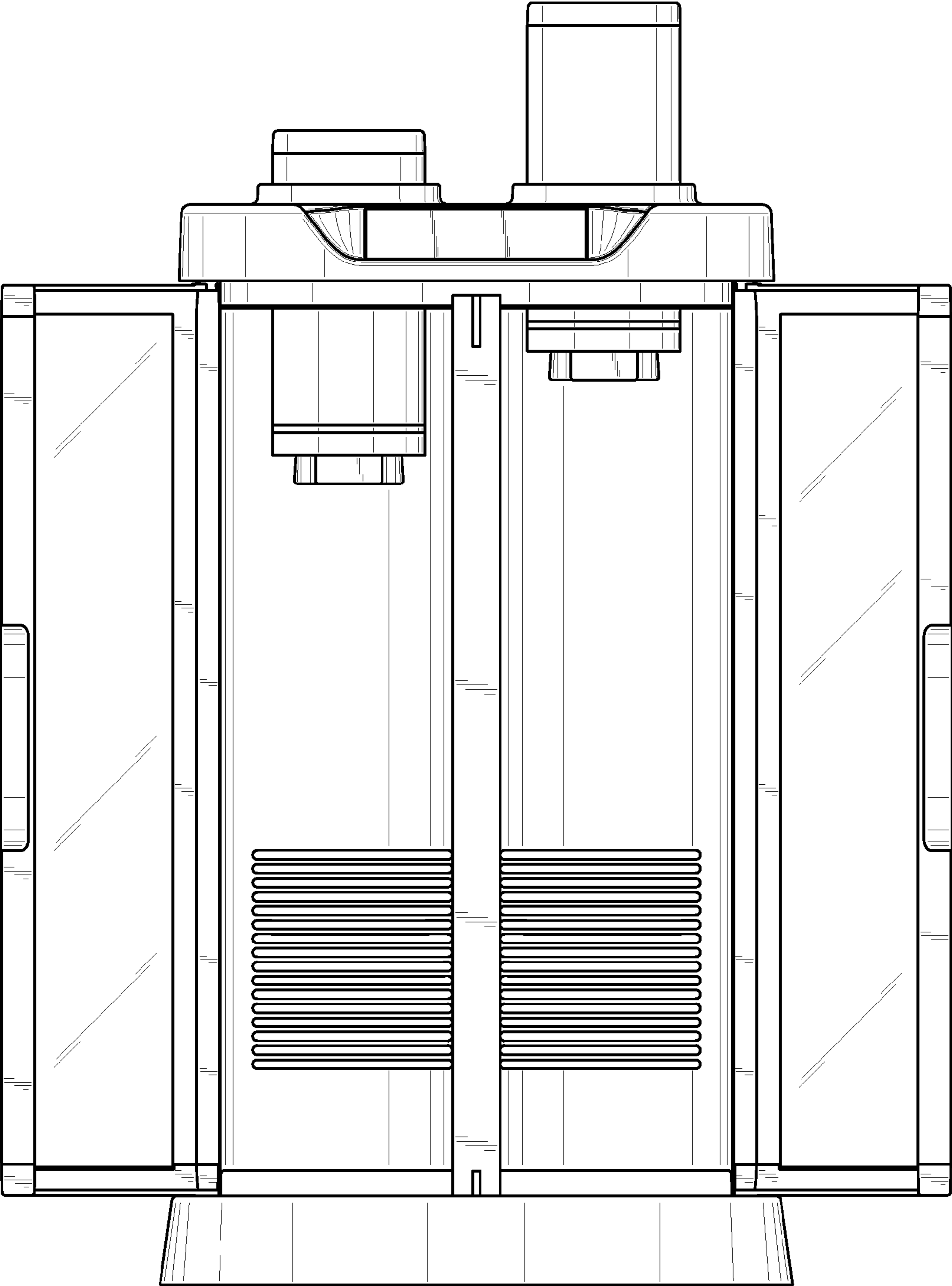


Fig. 2

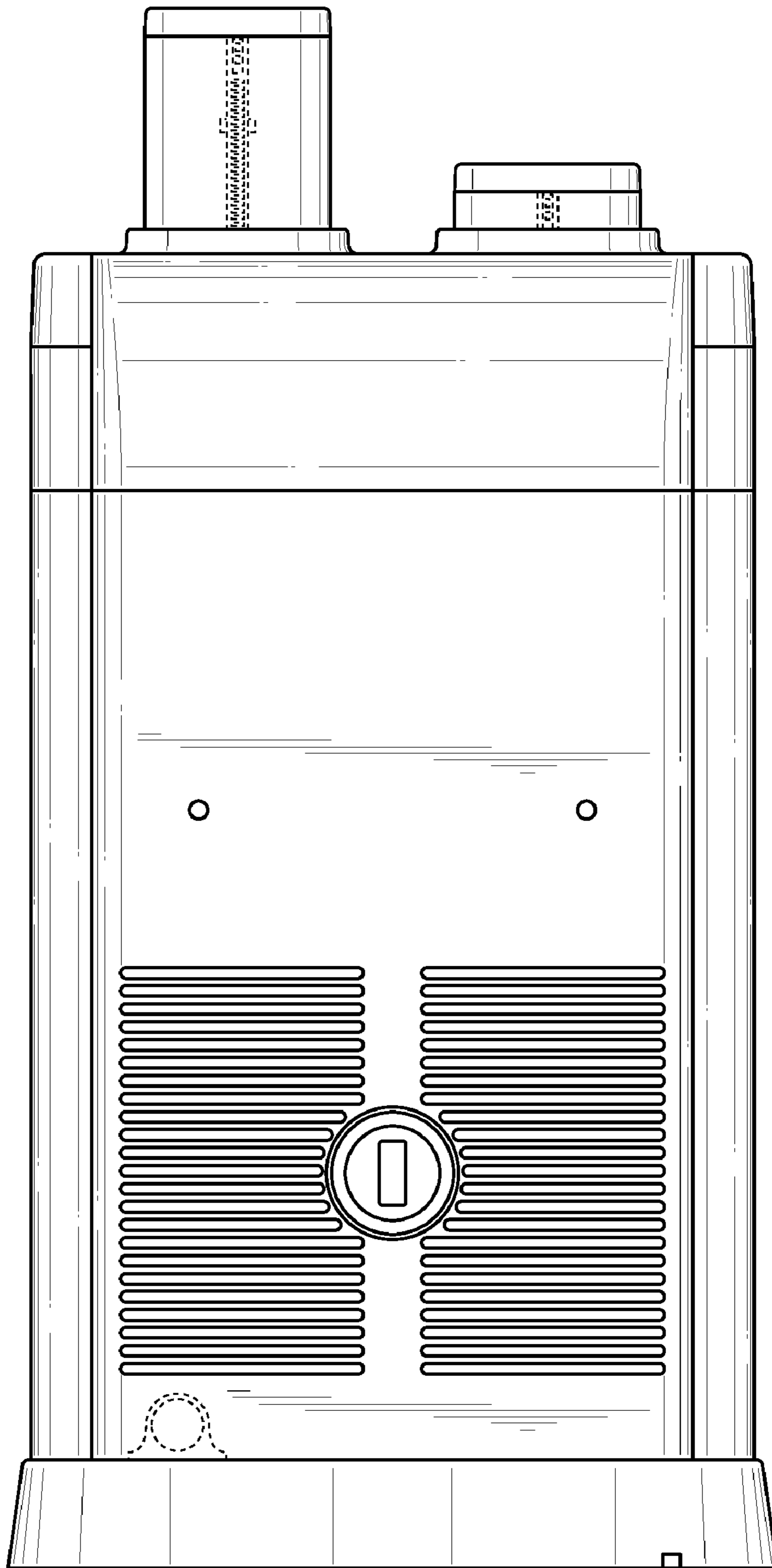


Fig. 3

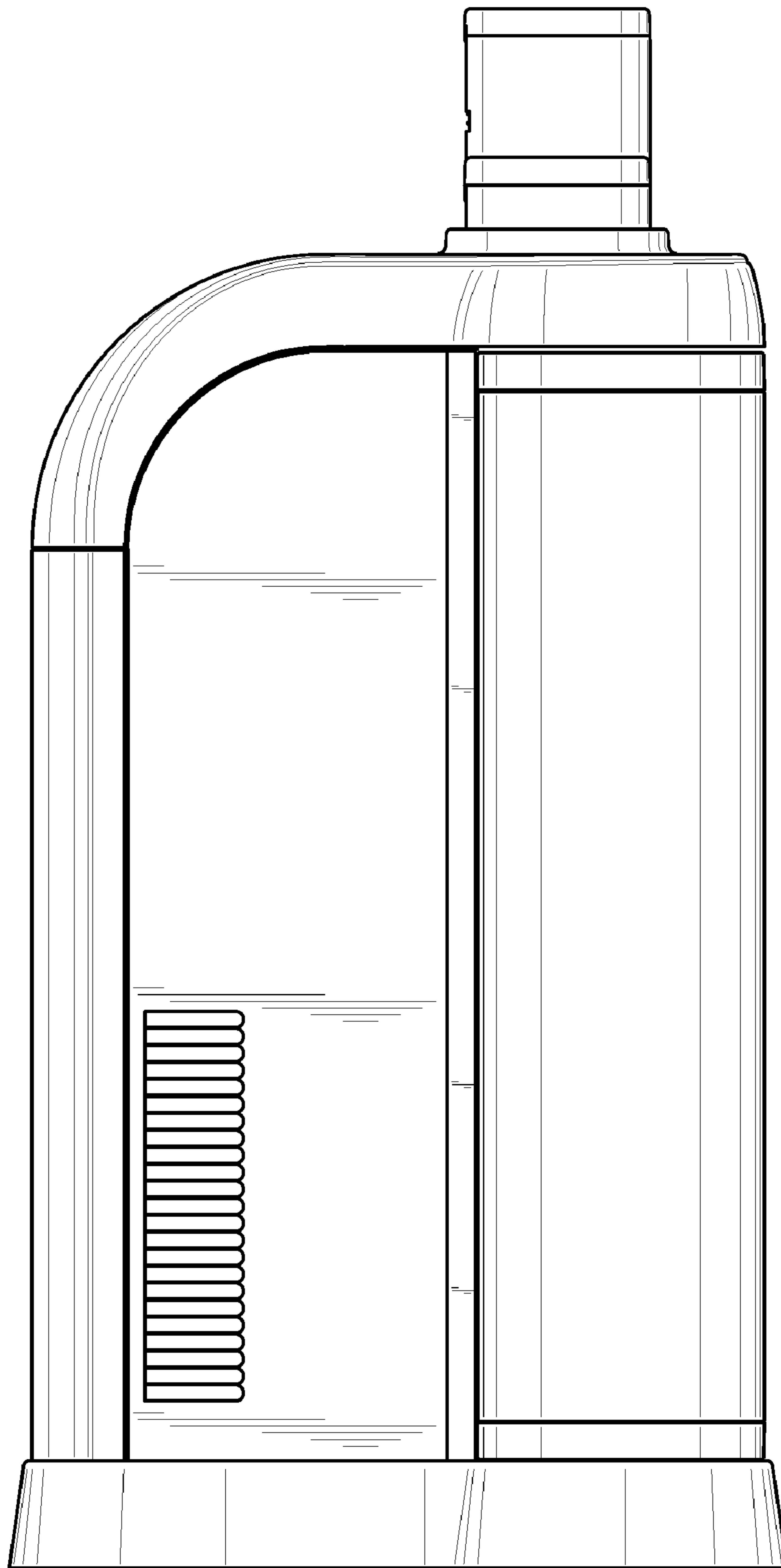


Fig. 4

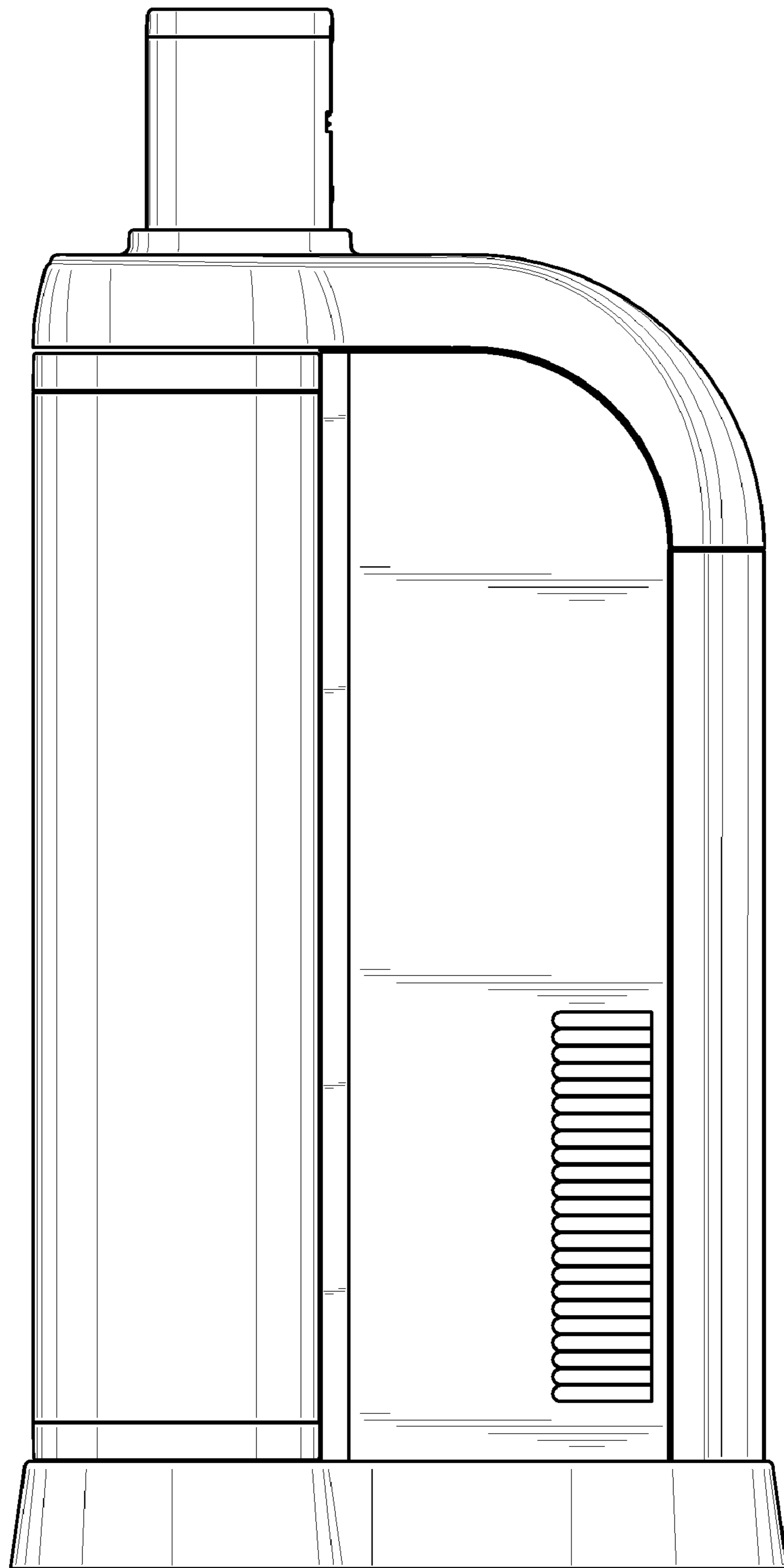


Fig. 5

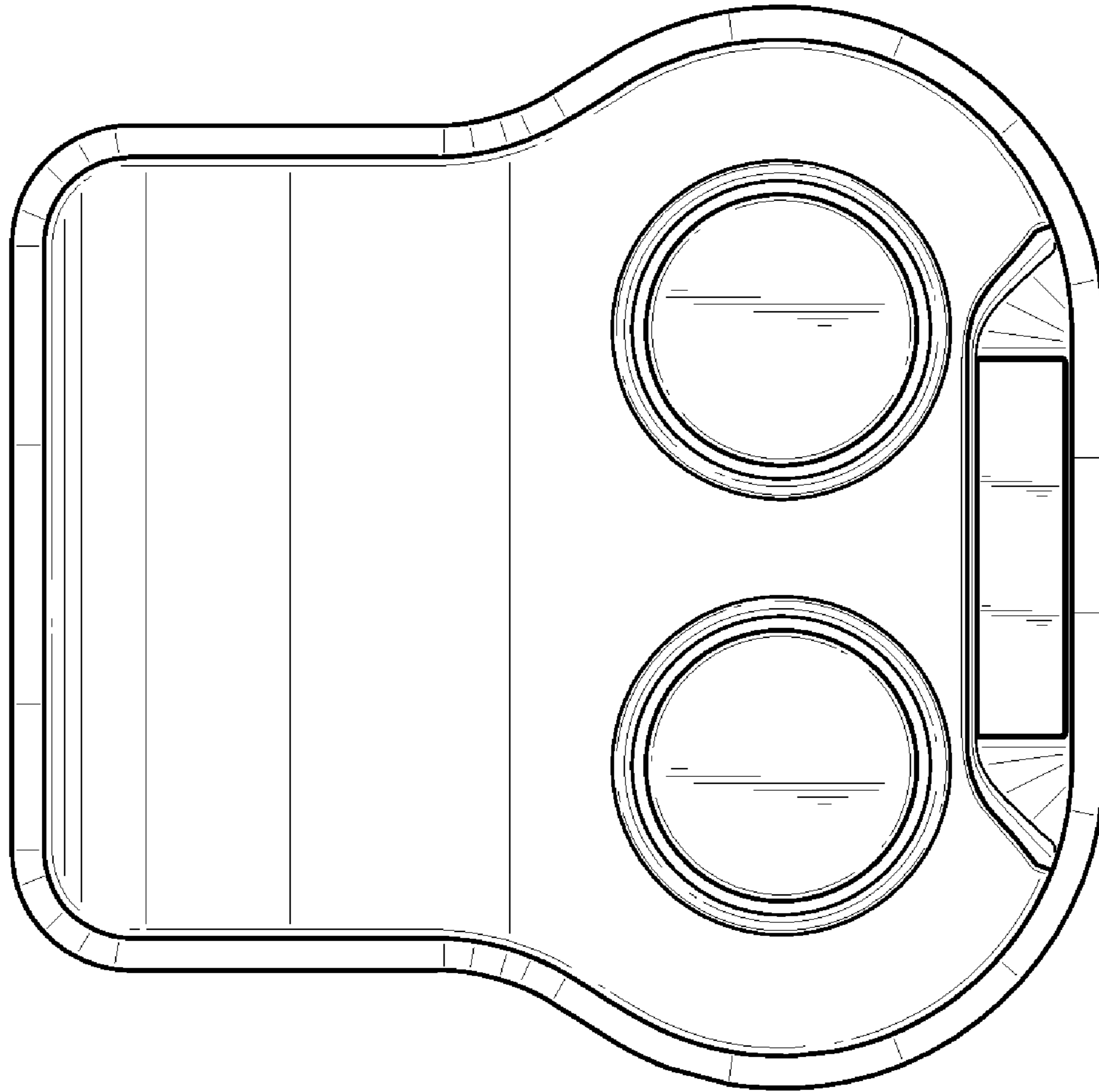


Fig. 6

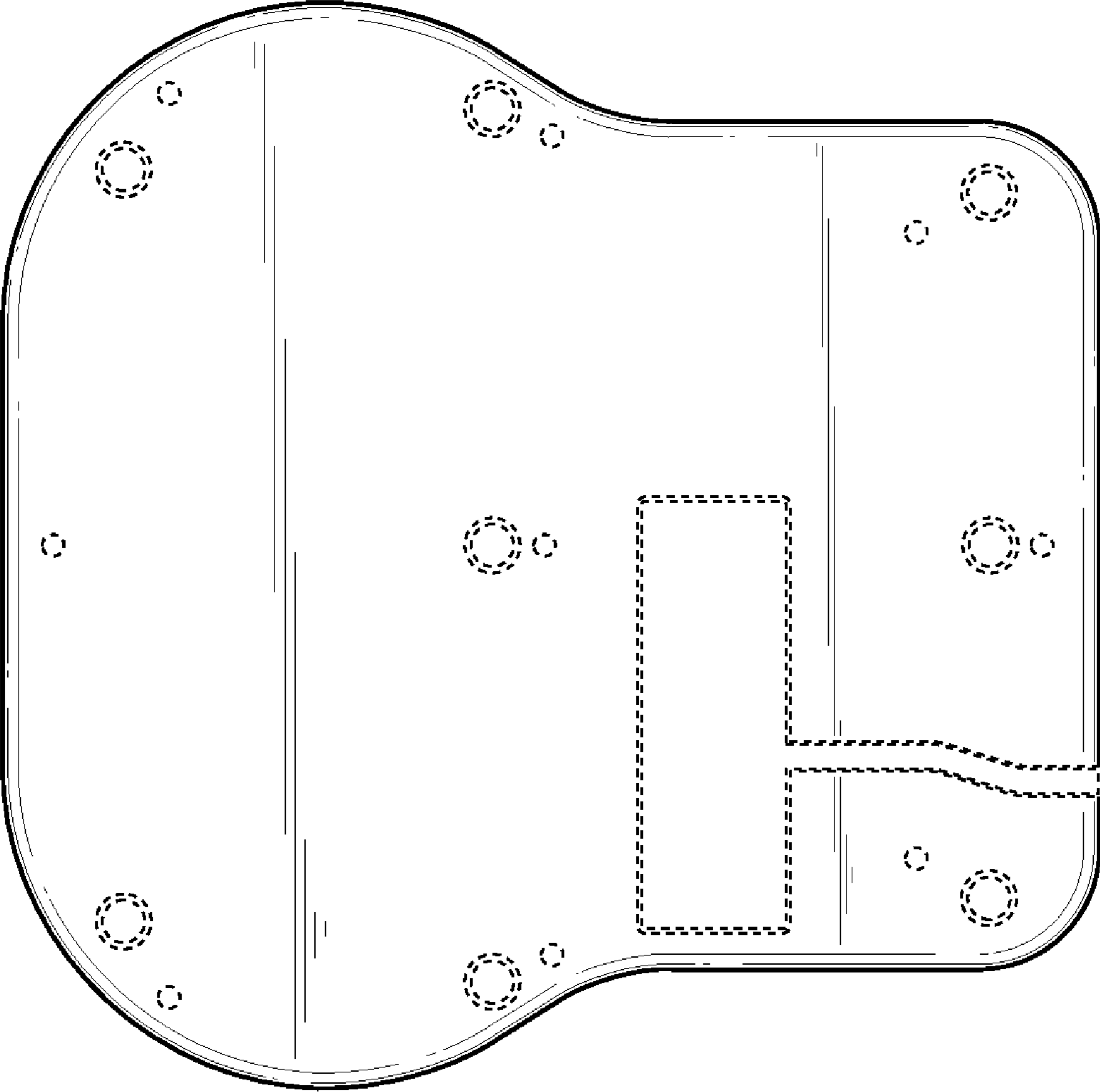


Fig. 7