



US00D631704S

(12) **United States Design Patent**
Kerr

(10) **Patent No.:** **US D631,704 S**

(45) **Date of Patent:** **** Feb. 1, 2011**

(54) **CONDIMENT DISPENSING APPARATUS**

(76) **Inventor:** **Jim Kerr**, 61 Viceroy Court, Wilmslow Road, Didsbury, Manchester, Lancashire (GB) M20 2RH

(**) **Term:** **14 Years**

(21) **Appl. No.:** **29/292,492**

(22) **Filed:** **Oct. 13, 2007**

(30) **Foreign Application Priority Data**

Sep. 28, 2007 (EM) 000802376

(51) **LOC (9) Cl.** **07-06**

(52) **U.S. Cl.** **D7/590**

(58) **Field of Classification Search** D7/589, D7/590, 368, 600.1-600.4; 220/500, 501, 220/503, 553; 211/77

See application file for complete search history.

(56) **References Cited**

U.S. PATENT DOCUMENTS

- 3,331,515 A * 7/1967 Lange 211/77
- D289,596 S * 5/1987 Evans D7/590
- D375,228 S * 11/1996 Rhodes D7/590
- D514,890 S * 2/2006 Morgan D7/600.1
- D523,288 S * 6/2006 Pierce D7/590

OTHER PUBLICATIONS

Server Products Inc.; Stainless Steel Countertop Organizers, 2007; USA; web address: http://www.server-products.com/en/c_organizers.htm.

Sever Products Inc.; 2-Pan Relish Server: 2Prs #85150; 2007; USA; web address: http://www.server-products.com/en/2PRS_85150.htm.

* cited by examiner

Primary Examiner—Terry A Wallace

(74) *Attorney, Agent, or Firm*—Wilfred Holness, Esq.

(57) **CLAIM**

The ornamental design for a condiment dispensing apparatus, as shown and described.

DESCRIPTION

FIG. 1 is a right, top and front perspective view of condiment dispensing apparatus;

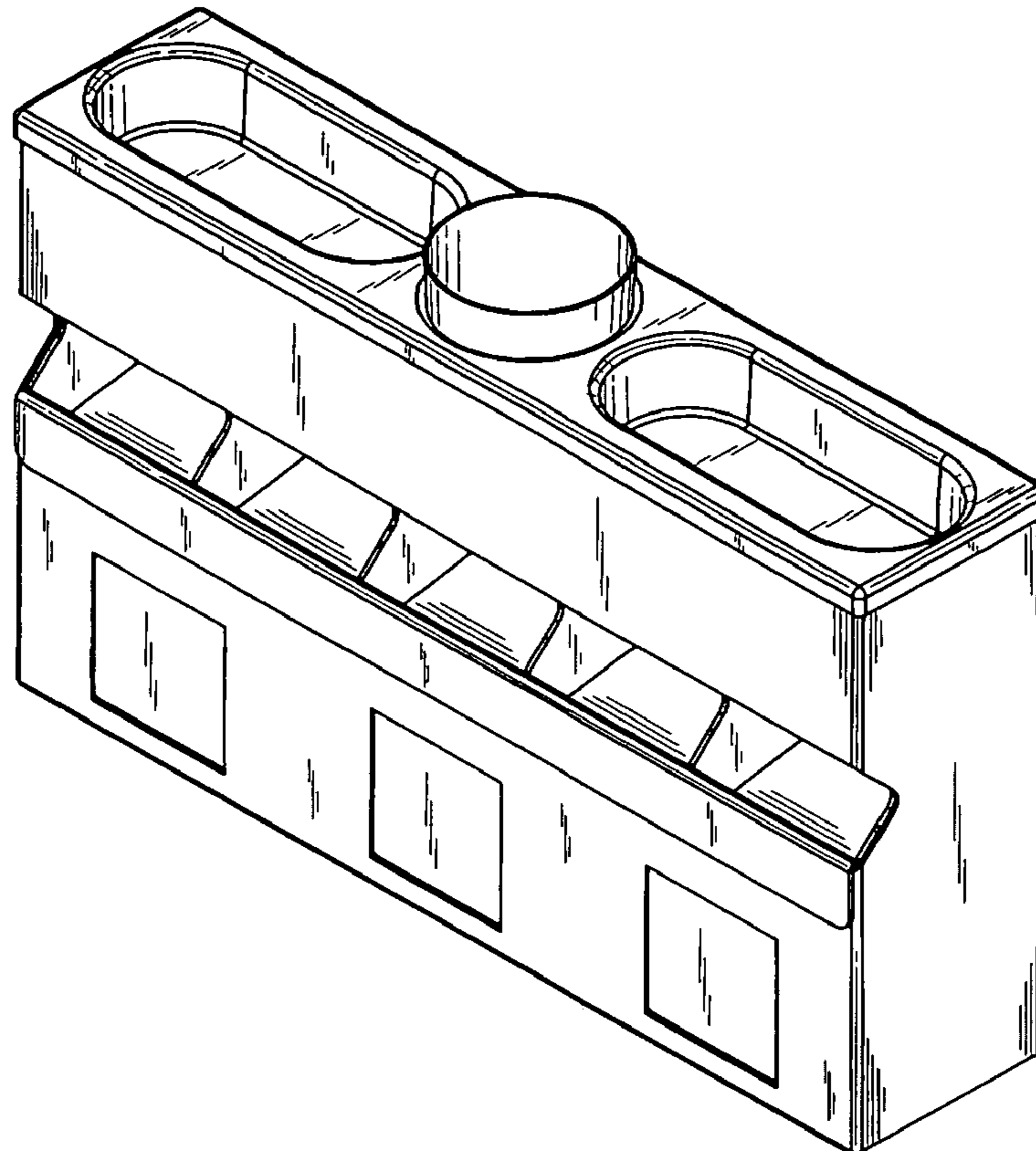
FIG. 2 is a top plan view thereof;

FIG. 3 is front elevation view thereof; and,

FIG. 4 is a right side elevation view thereof, the left side view being a mirror image.

The underside and rear of the condiment dispensing apparatus form no part of the claimed design.

1 Claim, 2 Drawing Sheets



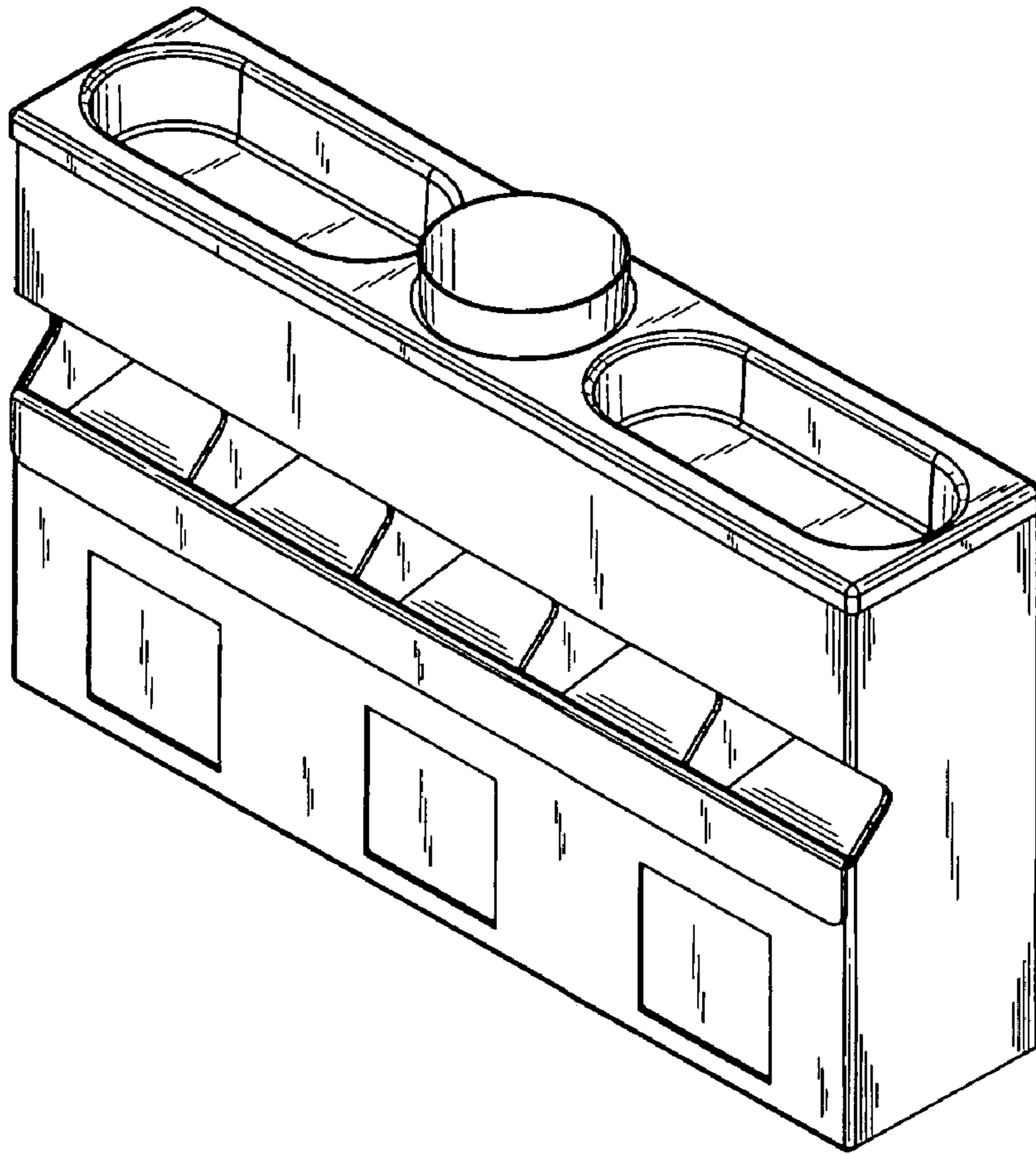


Fig. 1

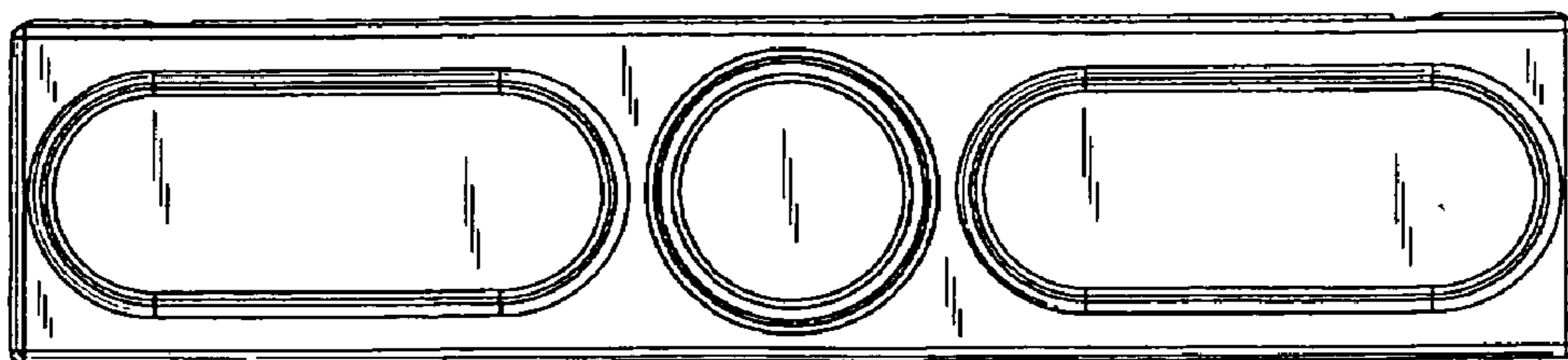


Fig. 2

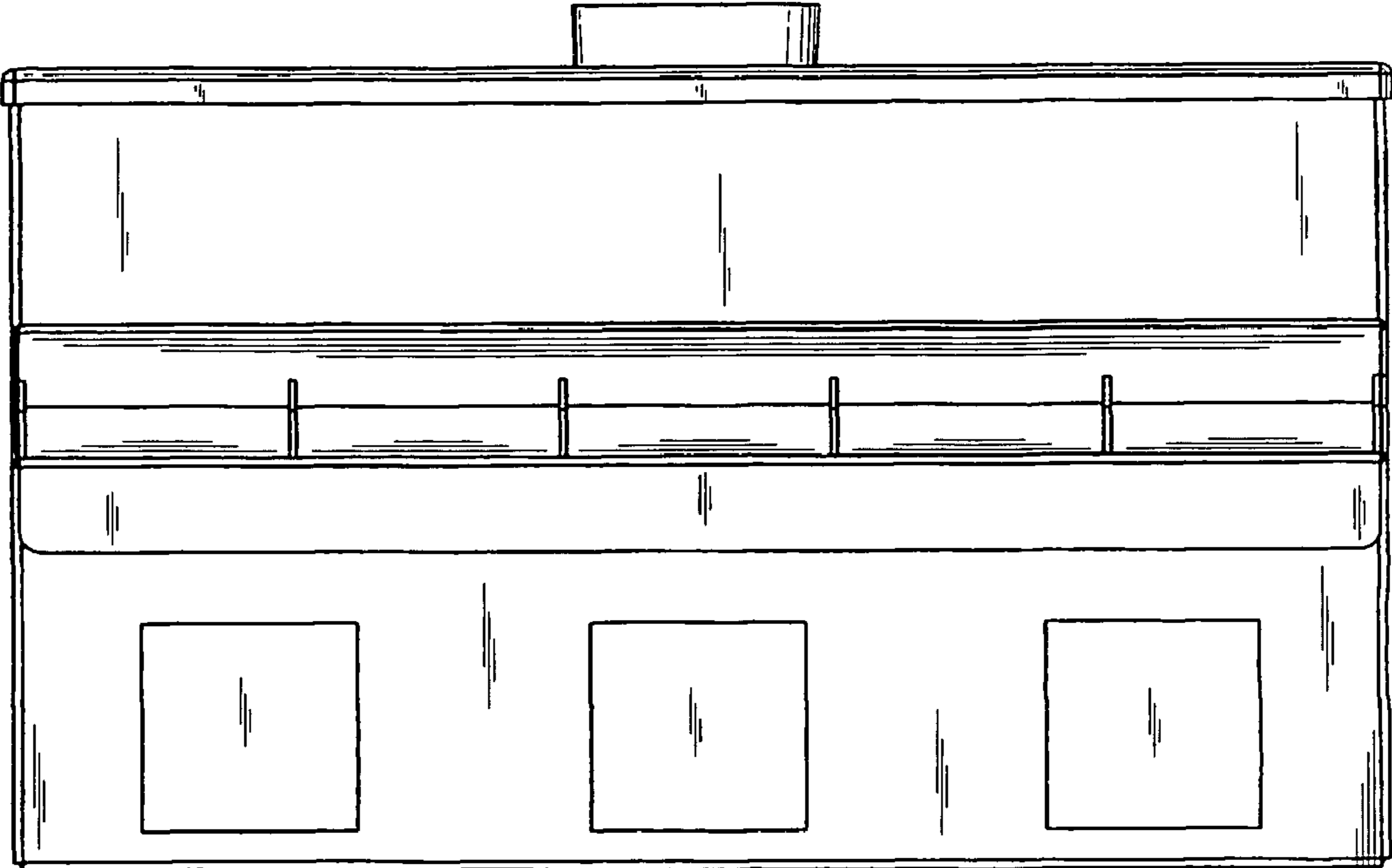


Fig. 3

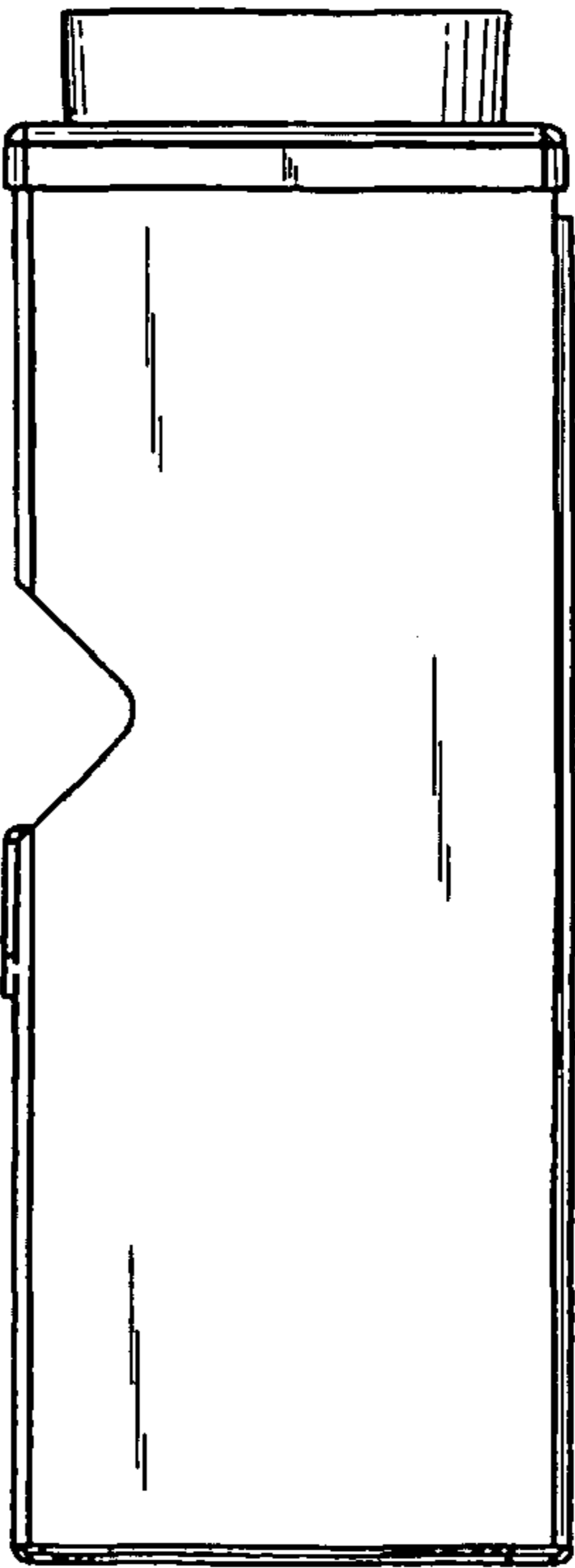


Fig. 4