

US00D631700S

(12) **United States Design Patent**
Flick

(10) **Patent No.:** **US D631,700 S**

(45) **Date of Patent:** **** Feb. 1, 2011**

(54) **BEVERAGE CONTAINER**

(75) Inventor: **Kenneth E. Flick**, Douglasville, GA
(US)

(73) Assignee: **Omega Patents, L.L.C.**, Douglasville,
GA (US)

(**) Term: **14 Years**

(21) Appl. No.: **29/361,244**

(22) Filed: **May 7, 2010**

(51) **LOC (9) Cl.** **07-01**

(52) **U.S. Cl.** **D7/523; D7/509**

(58) **Field of Classification Search** D7/509,
D7/523, 605; 220/506, 710.5; 206/217;
215/12.1

See application file for complete search history.

(56) **References Cited**

U.S. PATENT DOCUMENTS

655,413	A	8/1900	Parkyn	
1,168,027	A *	1/1916	Smith	73/426
2,288,044	A *	6/1942	Stemme	215/12.1
2,951,689	A	9/1960	Asp et al.	
3,407,922	A *	10/1968	Palmer	206/217
3,741,383	A *	6/1973	Wittwer	206/219
3,854,704	A	12/1974	Balas	259/118
4,162,129	A	7/1979	Bartholemew, Jr. et al.	366/211
4,410,085	A *	10/1983	Beneziat et al.	206/217
4,494,452	A	1/1985	Barzso	99/323.1
D287,885	S *	1/1987	Bolduc	D26/11
4,872,401	A	10/1989	Lee	99/275
D340,385	S *	10/1993	Durand	D7/509
D343,990	S *	2/1994	Maraan, II	D7/507
D356,978	S *	4/1995	Rahr	D11/143
D363,854	S *	11/1995	Katz	D7/509
5,556,654	A	9/1996	Fregeau	426/234
5,860,353	A	1/1999	Ceccarani	99/277.1
6,287,614	B1	9/2001	Peiffer	426/237
6,332,706	B1	12/2001	Hall	366/274
6,390,319	B1	5/2002	Yu	220/230

D458,086	S *	6/2002	Marks et al.	D7/605
6,703,055	B1	3/2004	Klein et al.	426/11
6,733,434	B2	5/2004	Jacobson	600/9
D490,978	S *	6/2004	Breyer	D3/313
6,959,640	B2	11/2005	Flick	99/277.1
D539,091	S *	3/2007	Mansfield	D7/513
7,185,782	B2 *	3/2007	Vilchez et al.	220/506
D552,421	S *	10/2007	Wolf	D7/523
D556,511	S *	12/2007	Mansfield	D7/523
D572,084	S *	7/2008	Blake	D7/513
D572,533	S *	7/2008	Mansfield et al.	D7/513
D581,739	S *	12/2008	Bodum	D7/523
D596,461	S *	7/2009	Mansfield et al.	D7/513
D598,224	S *	8/2009	Zanini	D6/510
D613,624	S *	4/2010	Bodum	D10/46.2
D613,996	S *	4/2010	Ross	D7/523
D618,964	S *	7/2010	Eisenhardt	D7/523
D620,757	S *	8/2010	Ahlm et al.	D7/523
D622,104	S *	8/2010	Ross	D7/523
D623,780	S *	9/2010	Seum et al.	D26/6
2003/0003189	A1	1/2003	Lutzker	426/11
2007/0108144	A1	5/2007	Flick	211/74
2008/0128429	A1	6/2008	Towery et al.	220/574
2008/0314813	A1	12/2008	Flick	210/222
2009/0181144	A1	7/2009	Farrell	426/474

* cited by examiner

Primary Examiner—Marianne Pandozzi

(74) *Attorney, Agent, or Firm*—Allen, Dyer, Doppelt,
Milbrath & Gilchrist, P.A.

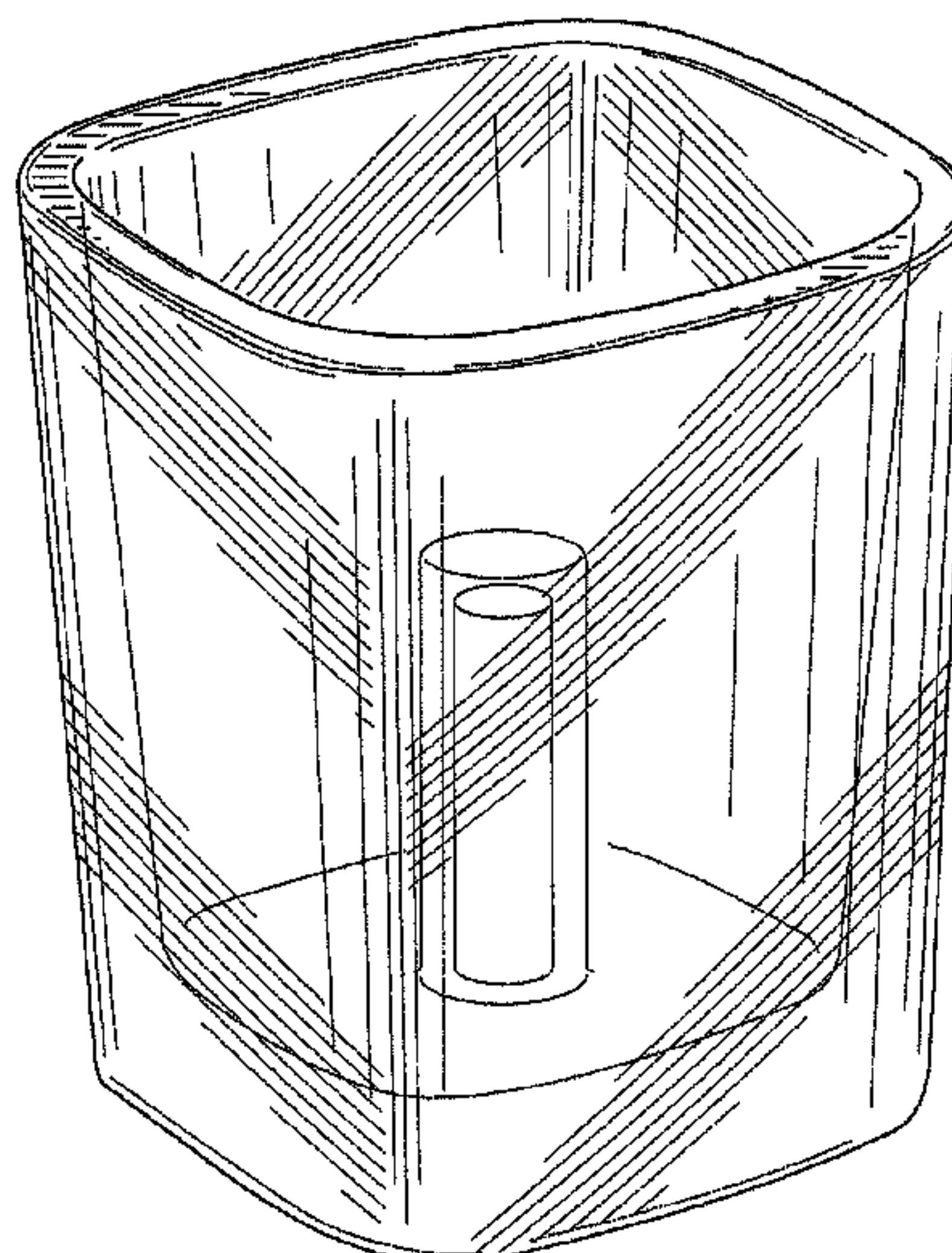
(57) **CLAIM**

The ornamental design for beverage container, as shown and described.

DESCRIPTION

FIG. 1 is a perspective view thereof;
FIG. 2 is a side elevational view thereof;
FIG. 3 is a top plan view thereof; and,
FIG. 4 is a bottom plan view thereof.

1 Claim, 3 Drawing Sheets



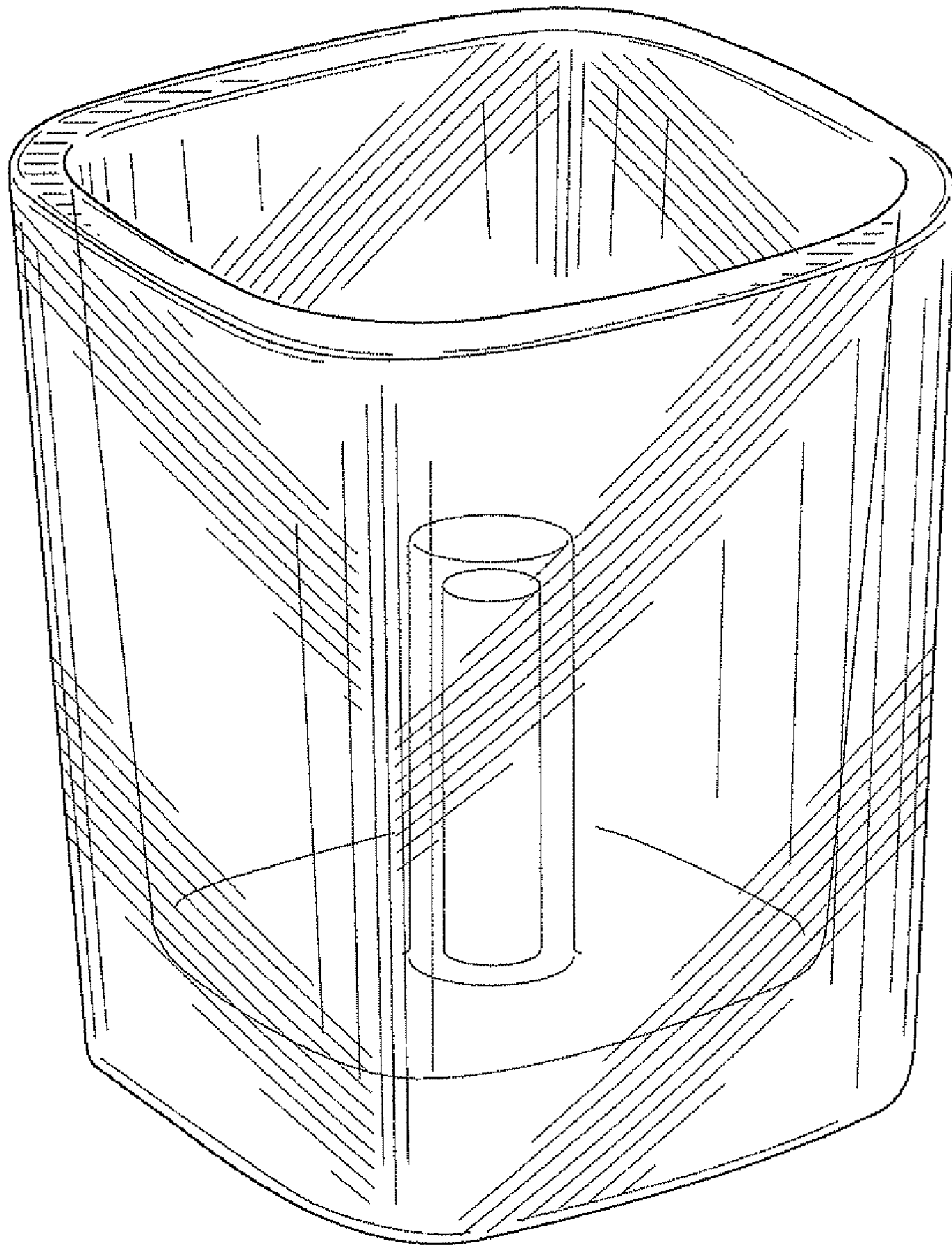


FIG. 1

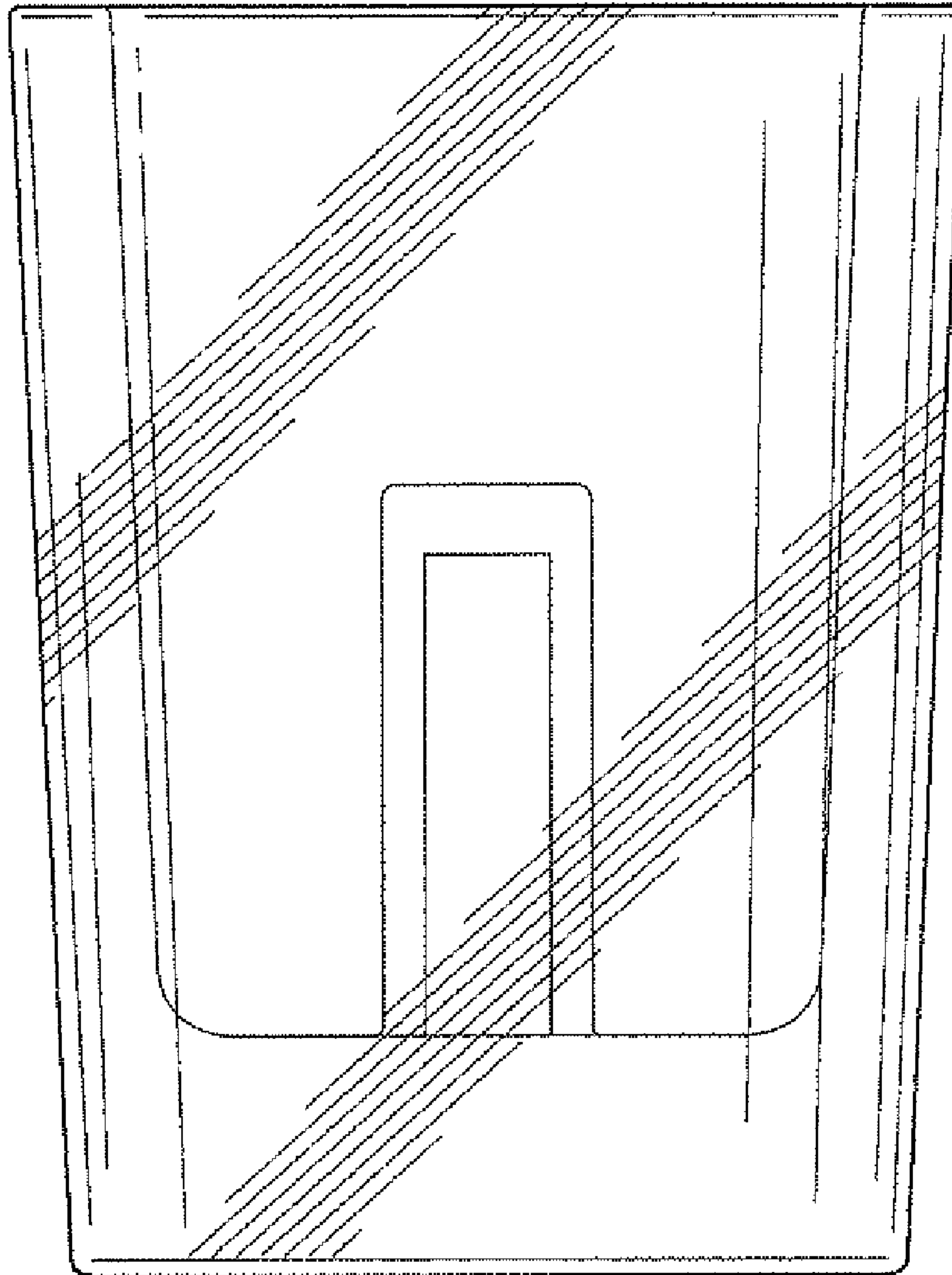


FIG. 2

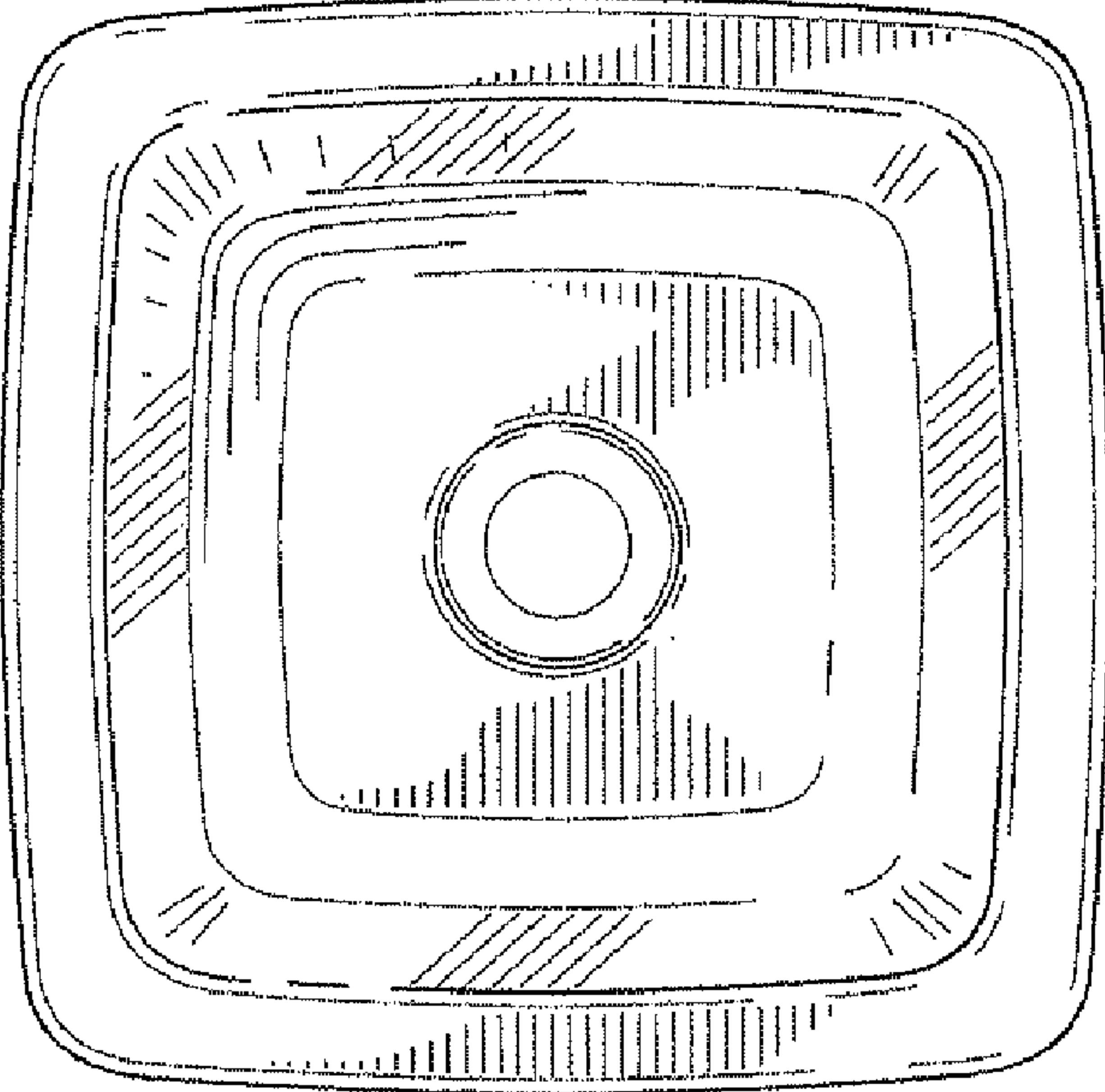


FIG. 3

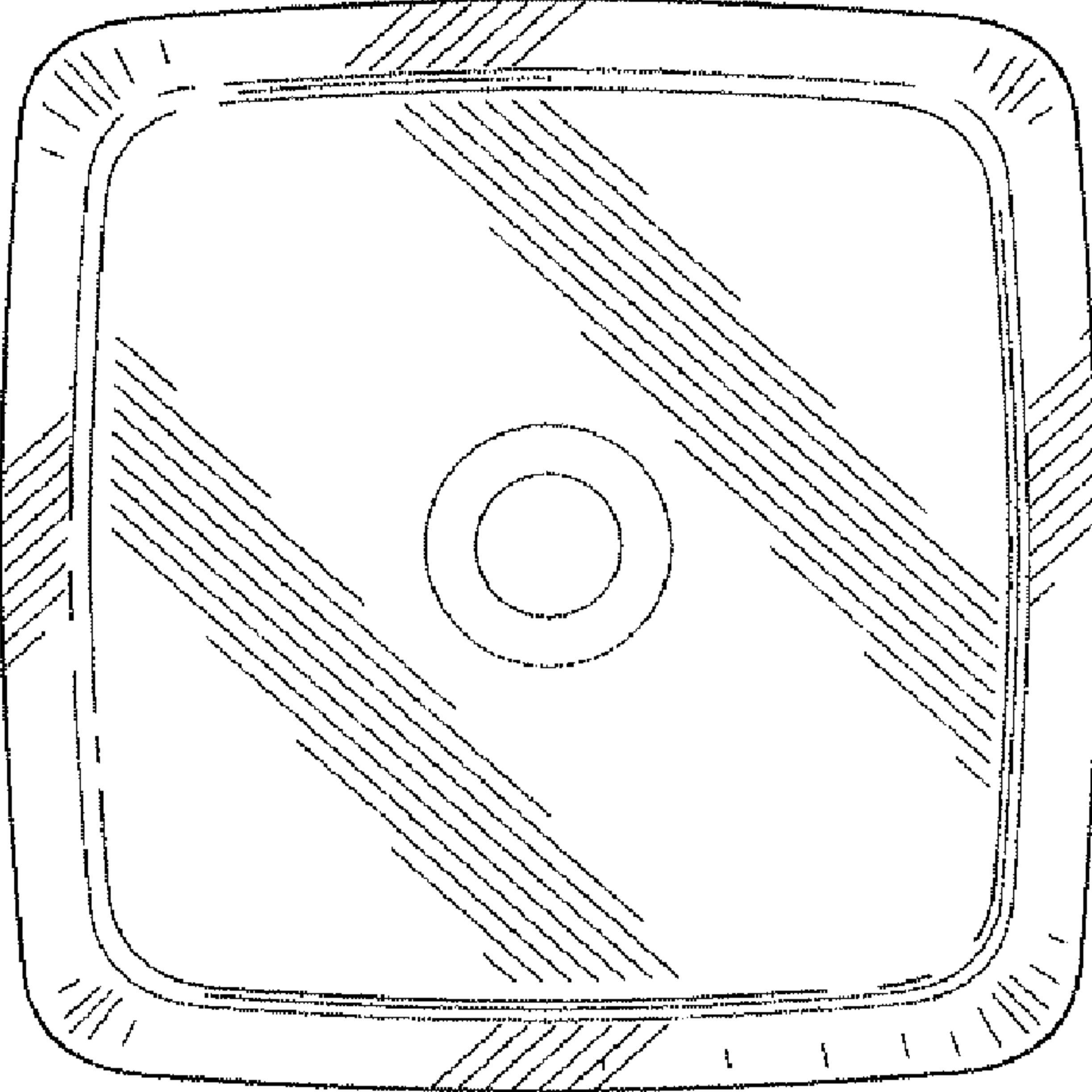


FIG. 4