

US00D631699S

(12) **United States Design Patent**
Moreau

(10) **Patent No.:** **US D631,699 S**

(45) **Date of Patent:** **** Feb. 1, 2011**

(54) **CUP**
(76) **Inventor:** **Glen W. Moreau**, 495 Cranston
Crescent, Box 517, Midland, ON (CA)
L4R 4L3

(**) **Term:** **14 Years**

(21) **Appl. No.:** **29/350,614**

(22) **Filed:** **Nov. 19, 2009**

(51) **LOC (9) Cl.** **07-01**

(52) **U.S. Cl.** **D7/523; D7/619.1; D7/509**

(58) **Field of Classification Search** D7/509-511,
D7/523, 533, 536, 608, 619.1, 624.2; D9/502,
D9/504; 220/592.16, 715, 669; 215/315,
215/382, 373, 384; 229/400, 403; D11/152
See application file for complete search history.

(56) **References Cited**

U.S. PATENT DOCUMENTS

3,128,029 A * 4/1964 Price et al. 229/400
D239,151 S * 3/1976 Halmstad D7/523

4,551,366 A * 11/1985 Maruhashi et al. 229/123.1
D331,013 S * 11/1992 Hamamura D9/428
5,769,266 A * 6/1998 Willbrandt 220/669
6,382,449 B1 * 5/2002 Kazmierski et al. 220/4.03
D526,847 S * 8/2006 Freeman D7/523
D561,590 S * 2/2008 Kingsley D9/500
D568,685 S * 5/2008 Bodum D7/523
2006/0081750 A1 * 4/2006 Kazyaka 248/311.2

* cited by examiner

Primary Examiner—Marianne Pandozzi

(57) **CLAIM**

The ornamental design for a cup, as shown and described.

DESCRIPTION

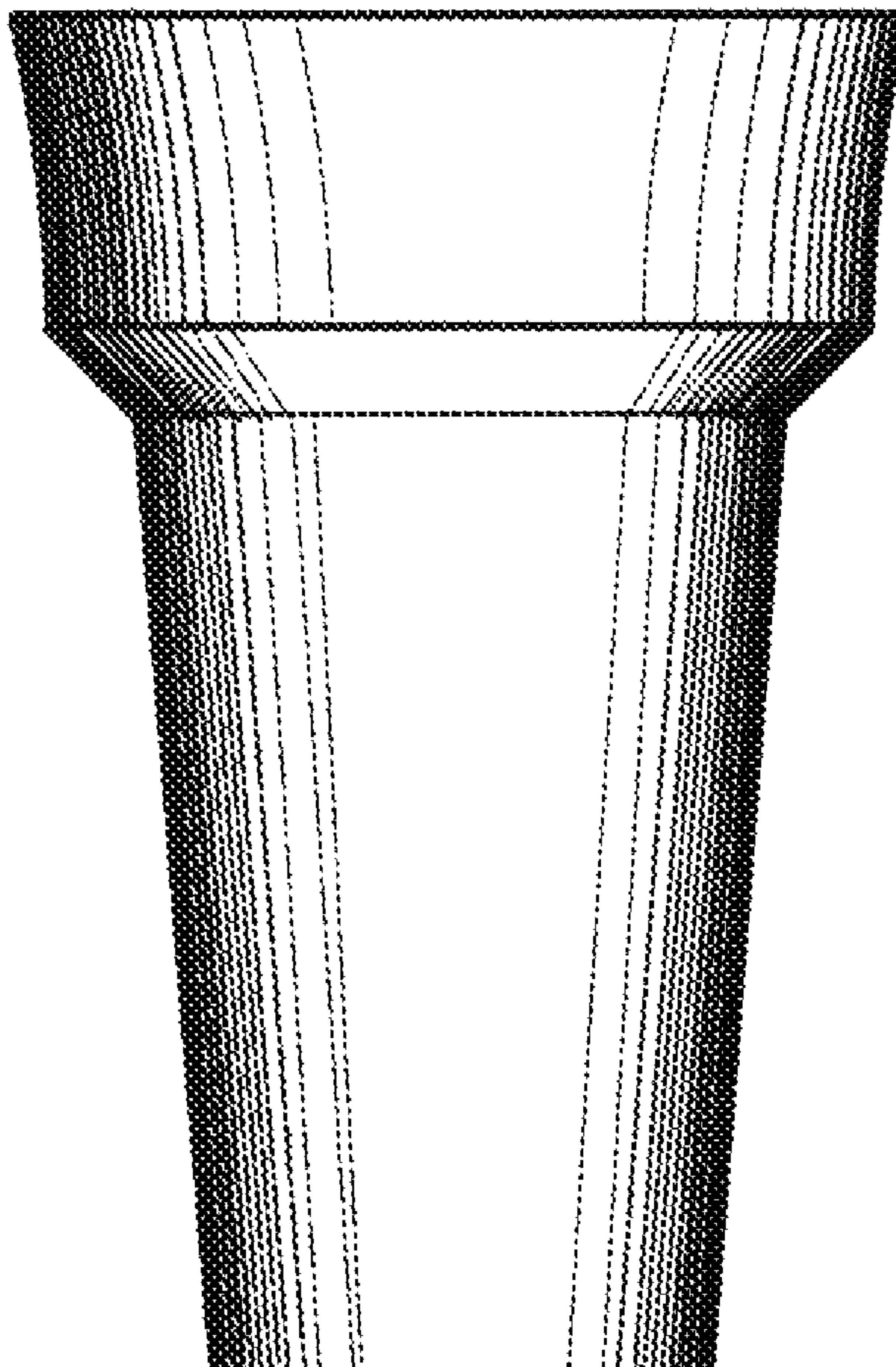
FIG. 1 is a top front perspective view of a cup showing my new design;

FIG. 2 is a top plan view thereof;

FIG. 3 is a front elevational view thereof; and,

FIG. 4 is a bottom plan view thereof.

1 Claim, 1 Drawing Sheet



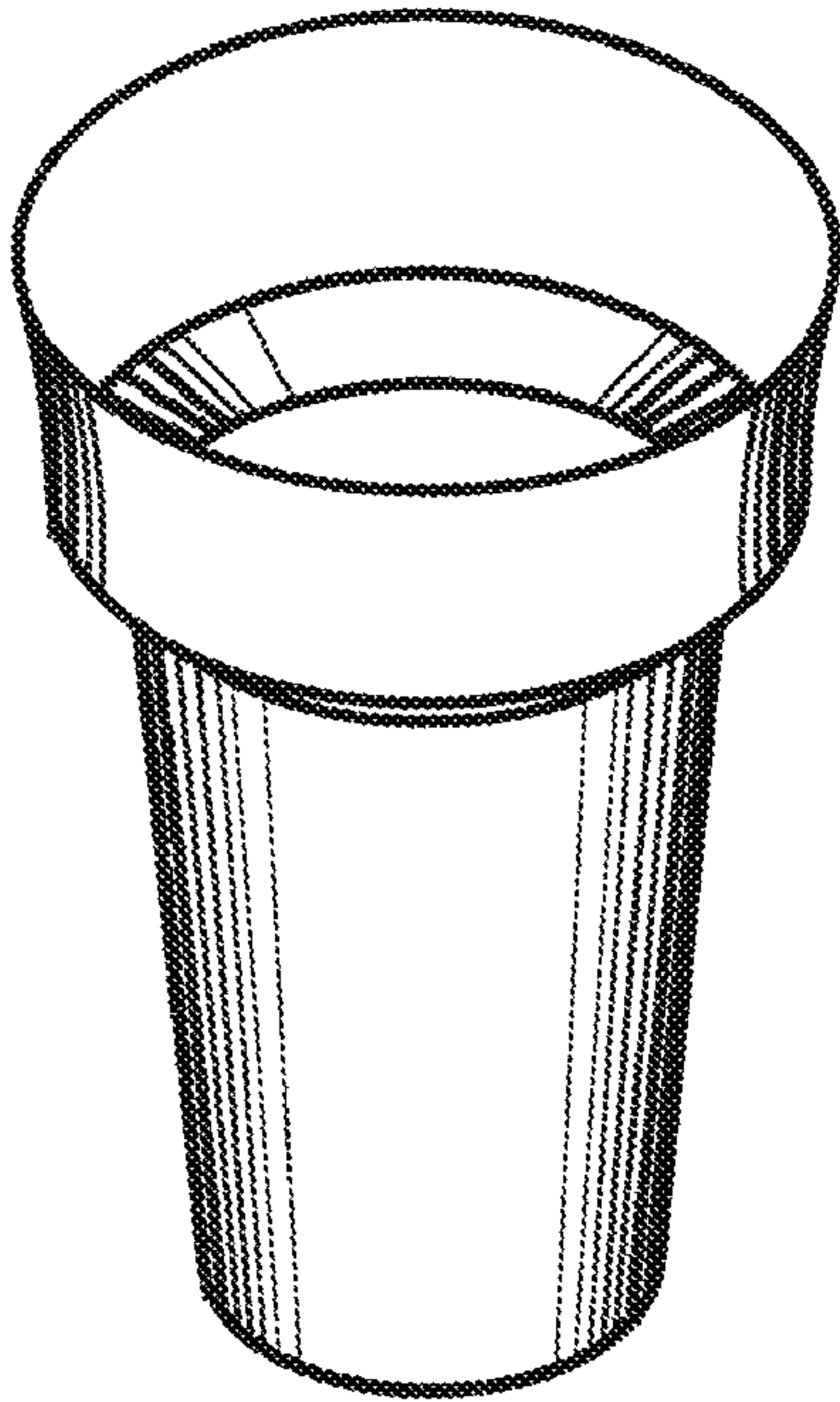


Fig. 1

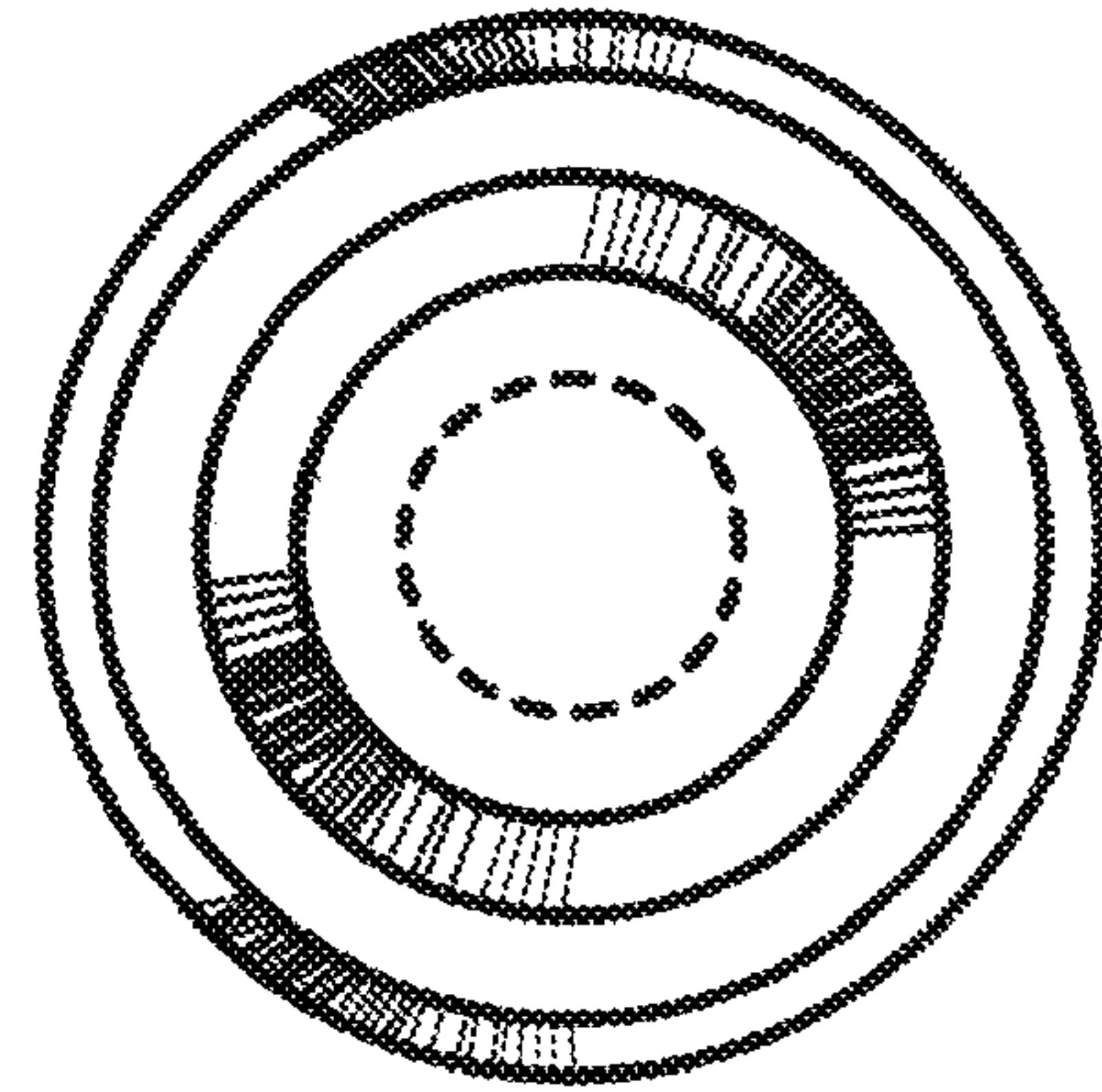


Fig. 2

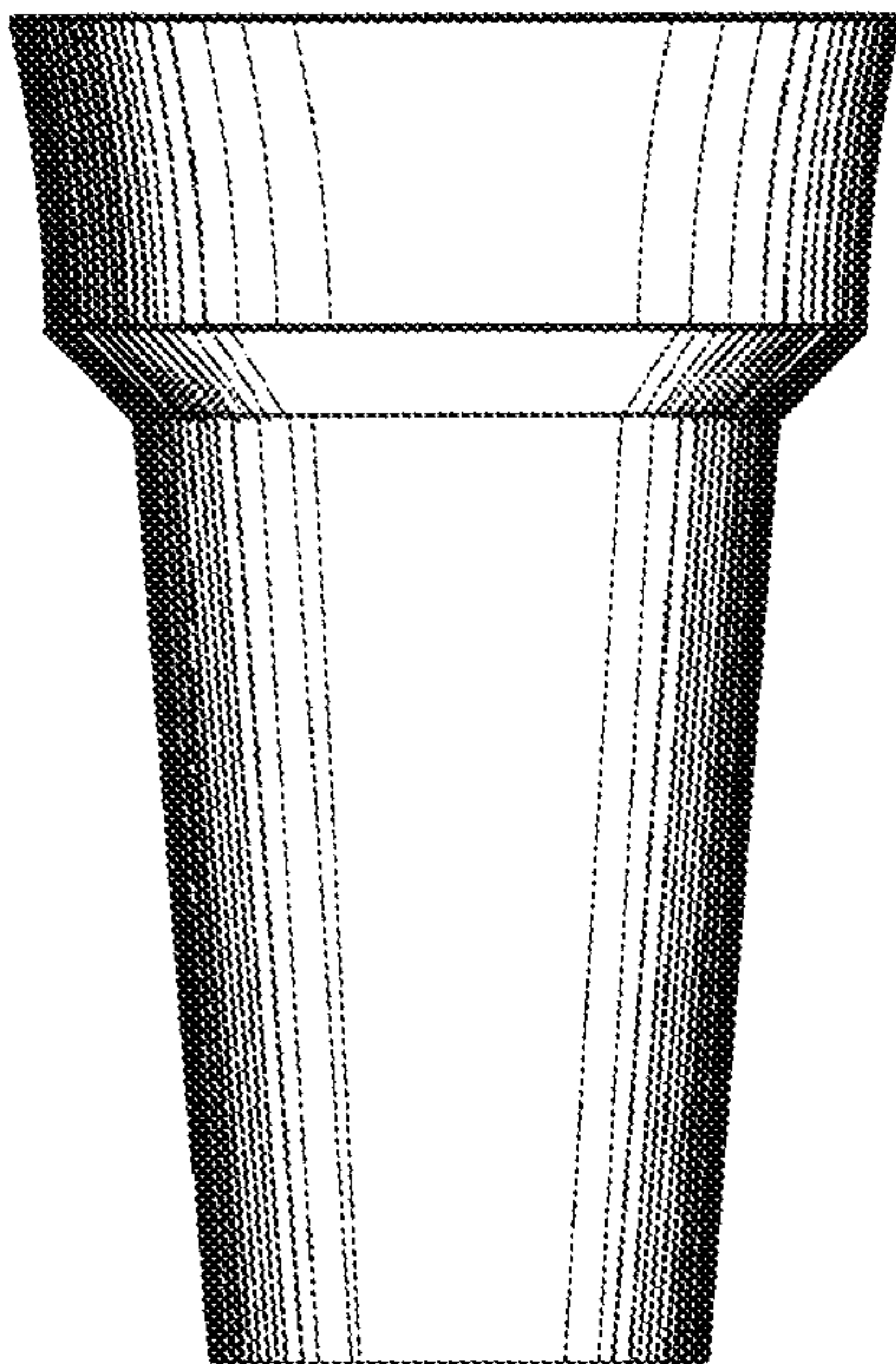


Fig. 3

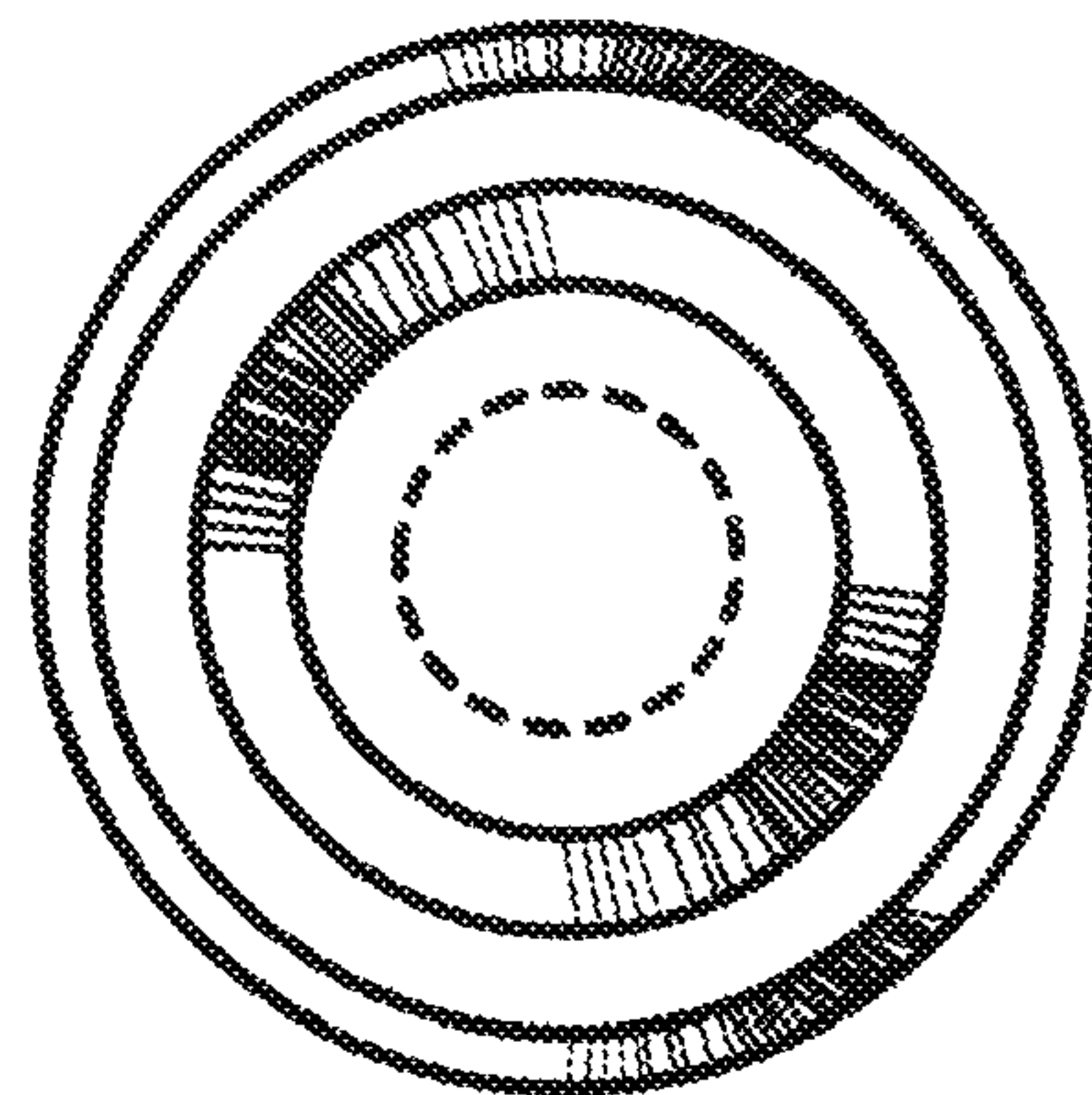


Fig. 4