



US00D631696S

(12) **United States Design Patent**  
**Lipfert et al.**

(10) **Patent No.:** **US D631,696 S**  
(45) **Date of Patent:** **\*\* Feb. 1, 2011**

(54) **DIVIDED TRAY**

(75) Inventors: **Kim A. Lipfert**, Minnetonka, MN (US);  
**Anna Marie Bofinger**, Shoreview, MN  
(US); **Rachel Anne Jones**, Minneapolis,  
MN (US); **Ashley Lynn Kneller**,  
Minneapolis, MN (US)

(73) Assignee: **Target Brands, Inc.**, Minneapolis, MN  
(US)

(\*\*) Term: **14 Years**

(21) Appl. No.: **29/375,604**

(22) Filed: **Sep. 24, 2010**

**Related U.S. Application Data**

(62) Division of application No. 29/346,177, filed on Oct.  
28, 2009, now Pat. No. Des. 625,960.

(51) **LOC (9) Cl.** ..... **07-01**

(52) **U.S. Cl.** ..... **D7/505; D7/553.6; D7/553.8**

(58) **Field of Classification Search** ..... D7/505,  
D7/550.1, 553.1-553.8, 554.1-554.4, 555,  
D7/643-644, 653, 701, 396.1; 220/500,  
220/527, 553, 555-557

See application file for complete search history.

(56) **References Cited**

**U.S. PATENT DOCUMENTS**

|                |         |                 |         |
|----------------|---------|-----------------|---------|
| D269,935 S     | 8/1983  | Powers          |         |
| D304,658 S *   | 11/1989 | Mattei          | D7/505  |
| 6,269,964 B1 * | 8/2001  | Turner, Jr.     | 220/528 |
| D484,746 S     | 1/2004  | McMullin        |         |
| D568,687 S     | 5/2008  | Lovett          |         |
| D575,582 S *   | 8/2008  | Geens           | D7/505  |
| D583,625 S *   | 12/2008 | Martinez et al. | D7/505  |
| D587,966 S *   | 3/2009  | Martinez et al. | D7/505  |

|              |         |                |          |
|--------------|---------|----------------|----------|
| D587,970 S   | 3/2009  | Zack et al.    |          |
| D601,855 S   | 10/2009 | Sandhu         |          |
| D604,992 S * | 12/2009 | Klein          | D7/541   |
| D611,306 S   | 3/2010  | Zack et al.    |          |
| D615,822 S * | 5/2010  | Klein          | D7/541   |
| D625,960 S * | 10/2010 | Lipfert et al. | D7/553.8 |

\* cited by examiner

*Primary Examiner*—Ian Simmons

*Assistant Examiner*—Dana L Sipos

(74) *Attorney, Agent, or Firm*—Leanne Taveggia Farrell;  
Westman, Champlin & Kelly, P.A.

(57) **CLAIM**

The ornamental design for a divided tray, as shown and  
described.

**DESCRIPTION**

FIG. 1 is a top perspective view of an embodiment of the  
divided tray.

FIG. 2 is a top plan view of the divided tray illustrated in FIG.  
1.

FIG. 3 is a right elevation view of the divided tray illustrated  
in FIG. 1.

FIG. 4 is a left elevation view of the divided tray illustrated in  
FIG. 1.

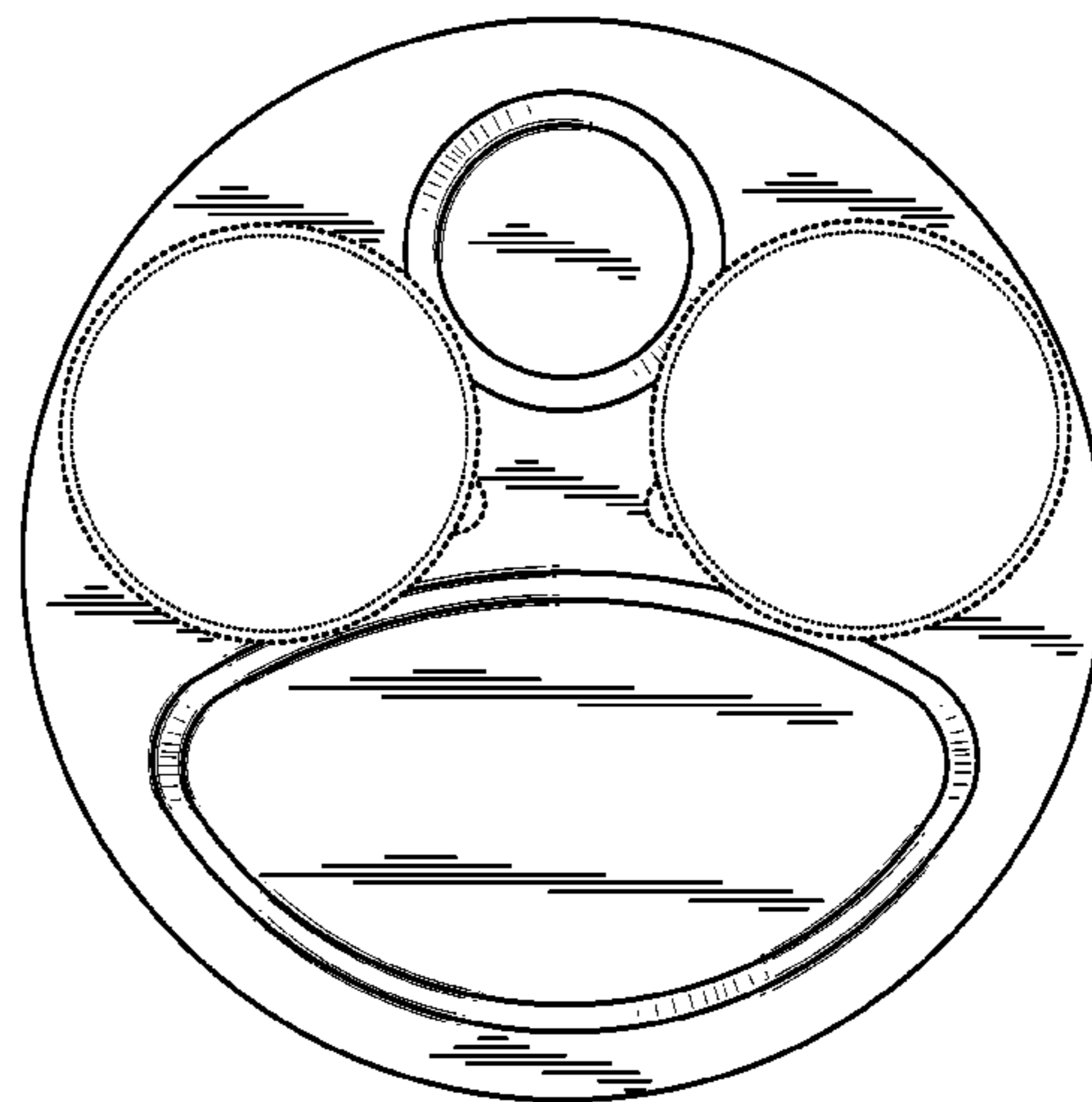
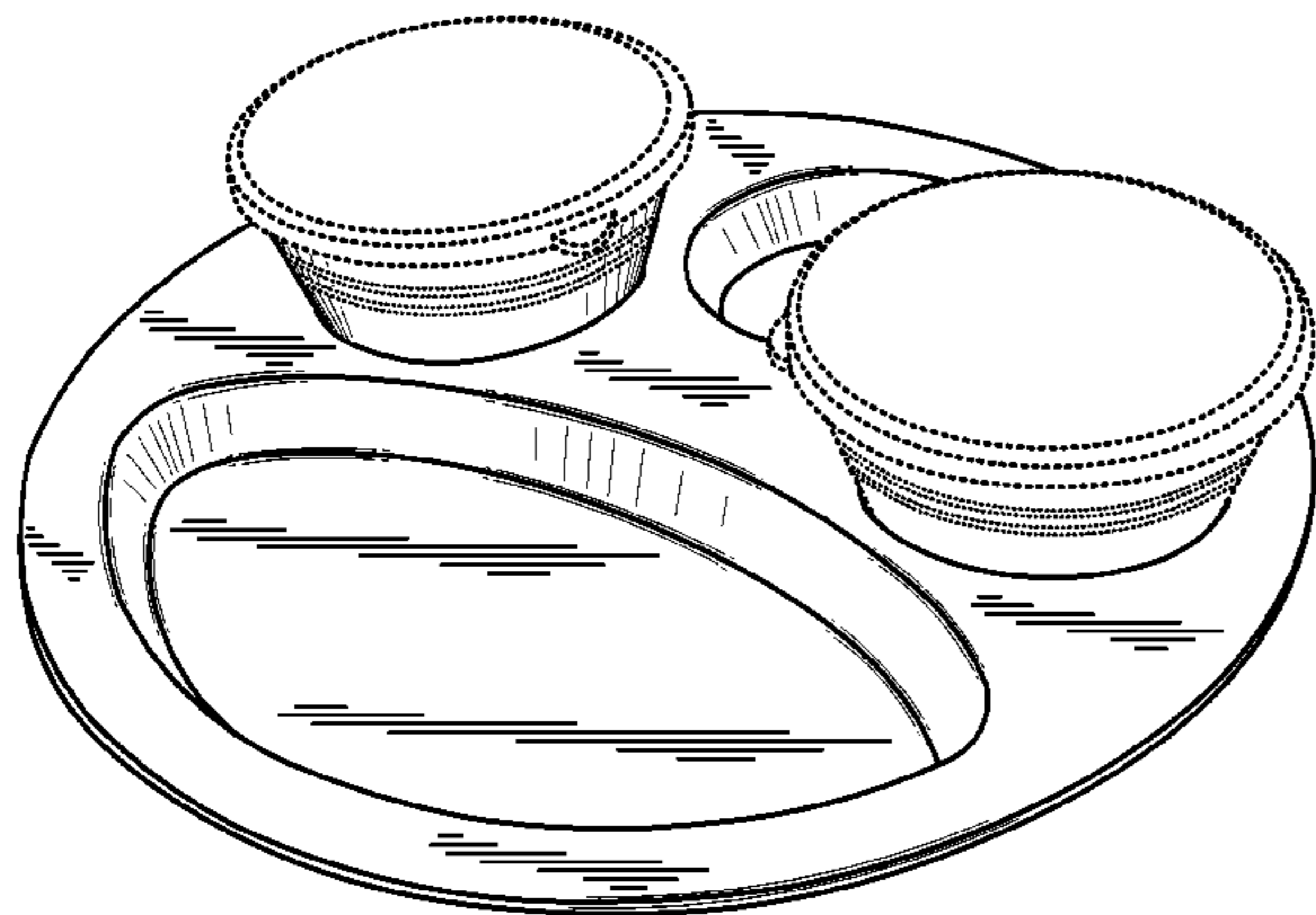
FIG. 5 is a bottom plan view of the divided tray illustrated in  
FIG. 1.

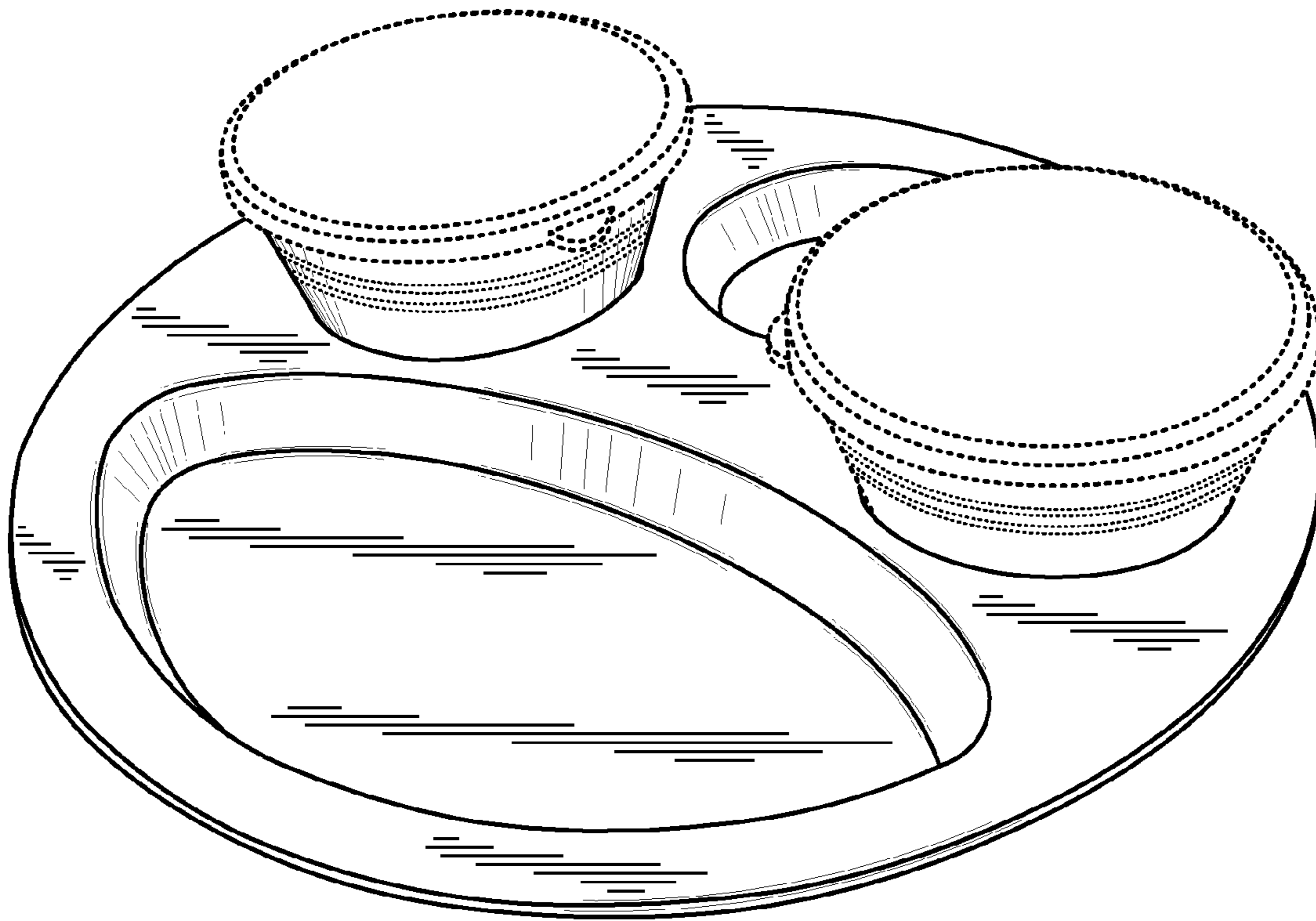
FIG. 6 is a front elevation view of the divided tray illustrated  
in FIG. 1; and,

FIG. 7 is a back elevation view of the divided tray illustrated  
in FIG. 1.

The dashed lines in FIGS. 1-7 form no part of the claimed  
design for the divided tray.

**1 Claim, 3 Drawing Sheets**





*FIG. 1*

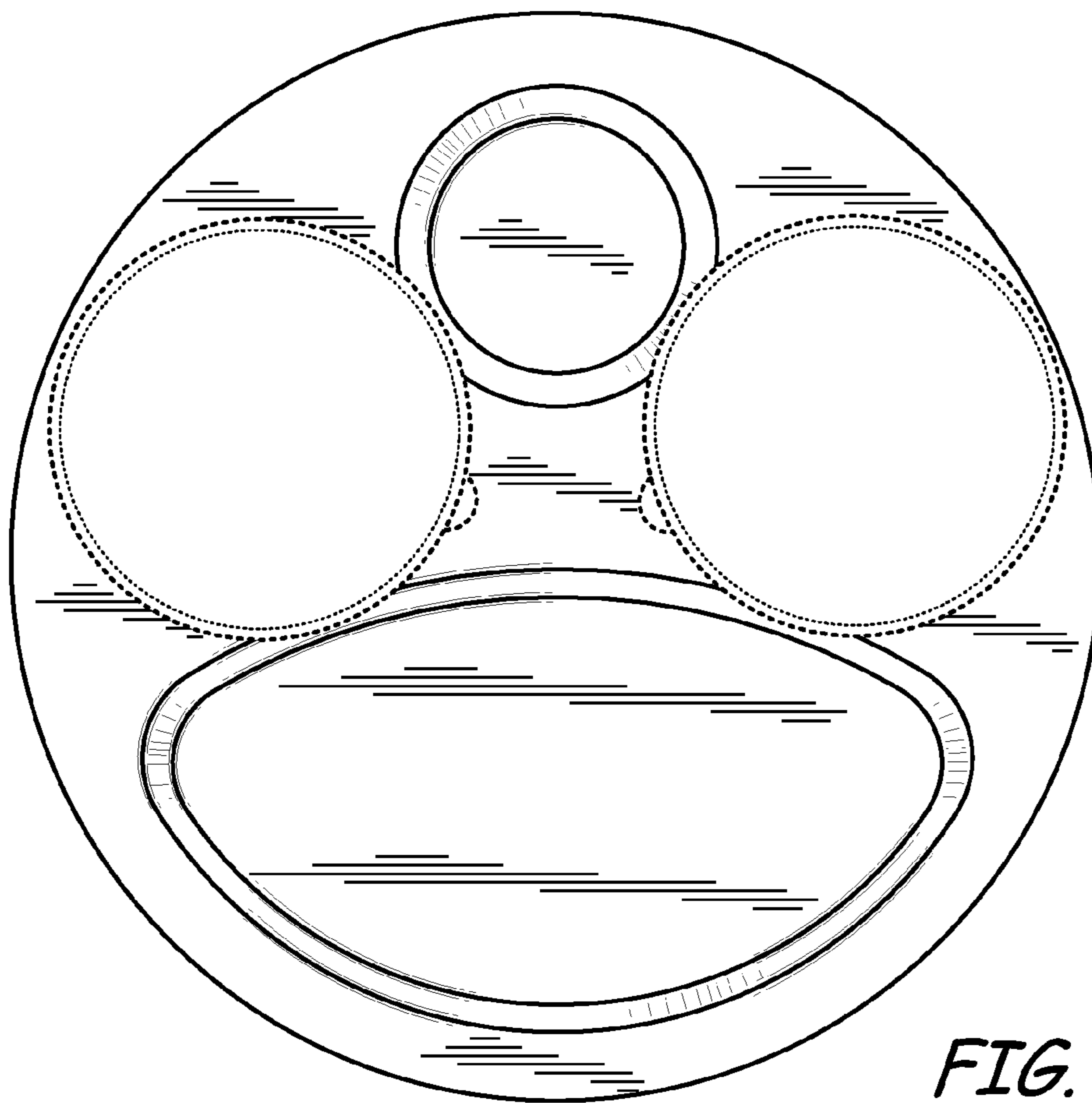


FIG. 2

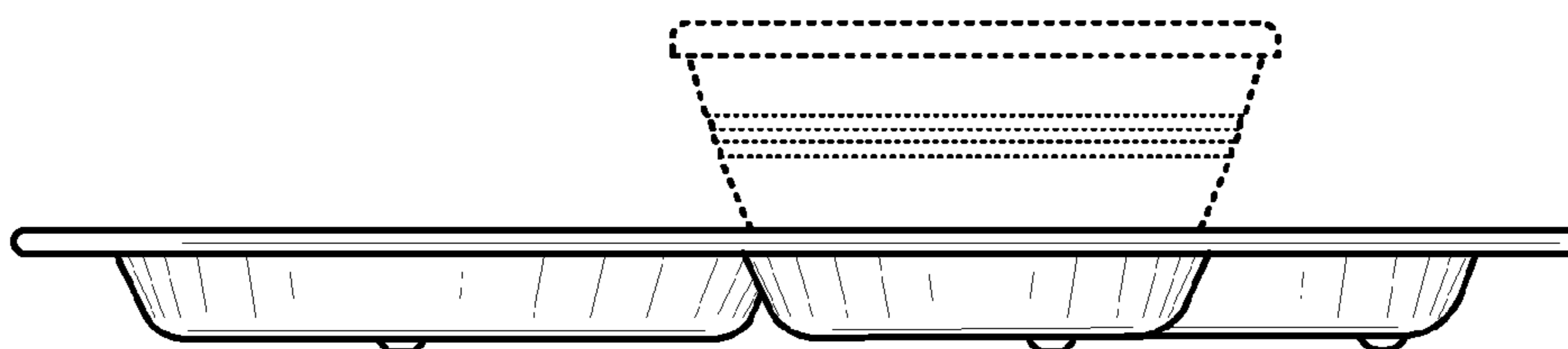


FIG. 3

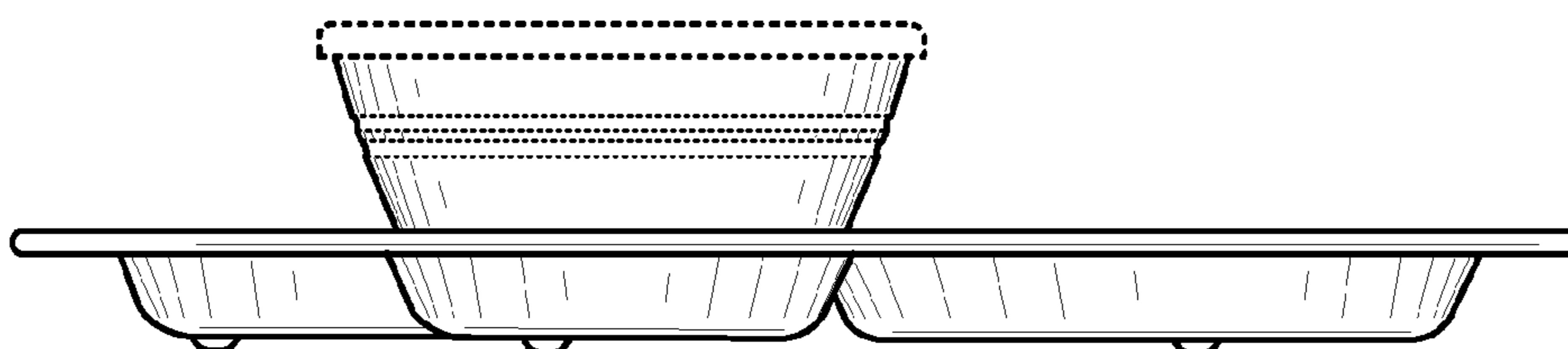


FIG. 4

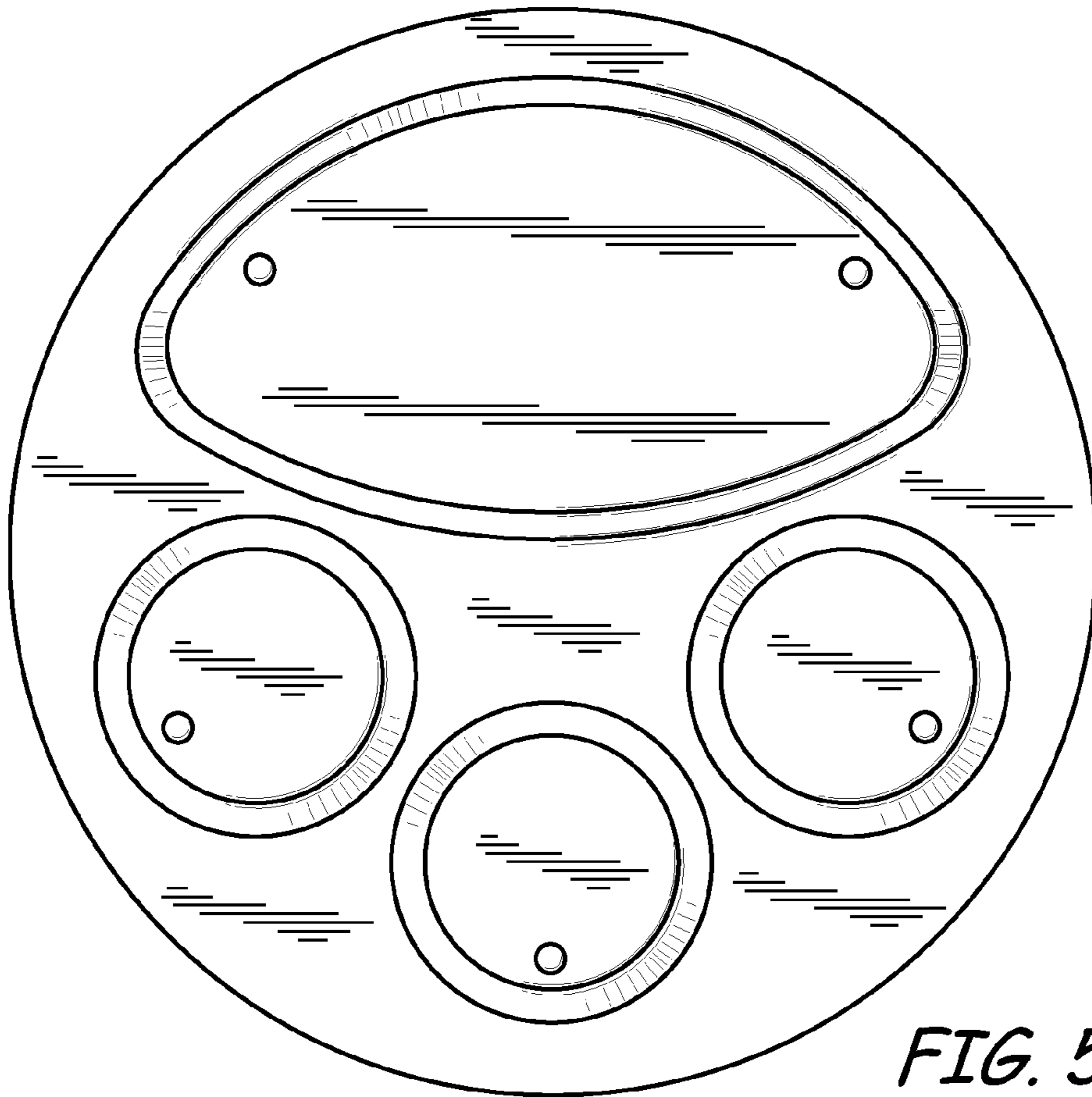


FIG. 5

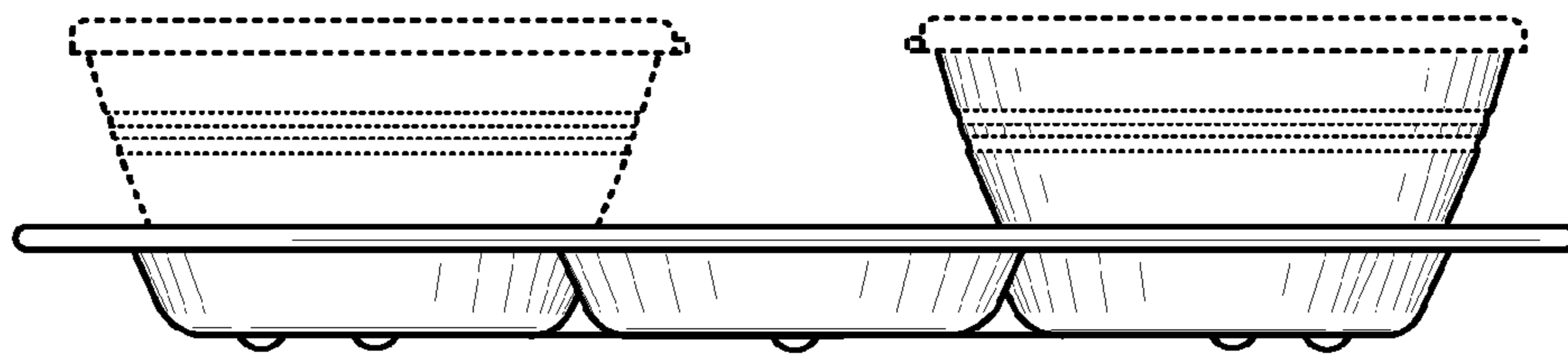


FIG. 6

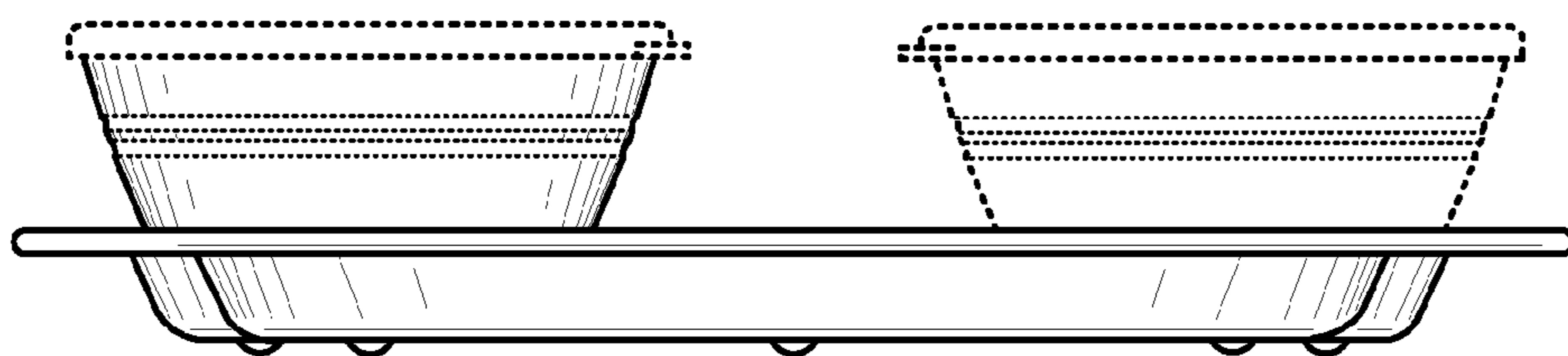


FIG. 7