

US00D631695S

(12) **United States Design Patent**
Sampson et al.

(10) **Patent No.:** **US D631,695 S**

(45) **Date of Patent:** **** Feb. 1, 2011**

(54) **ROTATABLE COMPARTMENTED SERVING AND STORAGE CONTAINER**

(76) Inventors: **Niki Sampson**, 2115 Kimberly Dr., Klamath Falls, OR (US) 97603; **David Scott Sampson**, 2115 Kimberly Dr., Klamath Falls, OR (US) 97603

(**) Term: **14 Years**

(21) Appl. No.: **29/359,565**

(22) Filed: **Apr. 13, 2010**

(51) **LOC (9) Cl.** **07-01**

(52) **U.S. Cl.** **D7/501; D7/600.3; D7/602; D7/701**

(58) **Field of Classification Search** D7/501, D7/538, 541, 549, 555, 590-592, 596-597, D7/600.1-600.2, 601-602, 701-703, 707, D7/629; D6/512, 553, 559, 573-574; 211/131.1-131.2, 211/163-164, 77-78

See application file for complete search history.

(56) **References Cited**

U.S. PATENT DOCUMENTS

3,344,970 A * 10/1967 Brandes 229/4.5
3,972,419 A * 8/1976 Short 211/78
D276,043 S * 10/1984 Fitzner et al. D14/229

D301,956 S * 7/1989 Newton D7/501
D325,281 S * 4/1992 Jordan D3/302
D348,219 S * 6/1994 Goldberg D3/203.4
5,493,976 A 2/1996 Hammond
D453,263 S * 2/2002 Wogan D7/501
D496,831 S * 10/2004 Strahota et al. D7/600.3

* cited by examiner

Primary Examiner—Ian Simmons

Assistant Examiner—Dana L Sipos

(74) *Attorney, Agent, or Firm*—Jerry Haynes Law

(57) **CLAIM**

The ornamental design for a rotatable compartmented serving and storage container, as shown and described.

DESCRIPTION

FIG. 1 is a top perspective view of a rotatable compartmented serving and storage container showing our new design;

FIG. 2 is a right side view thereof;

FIG. 3 is a left side view thereof;

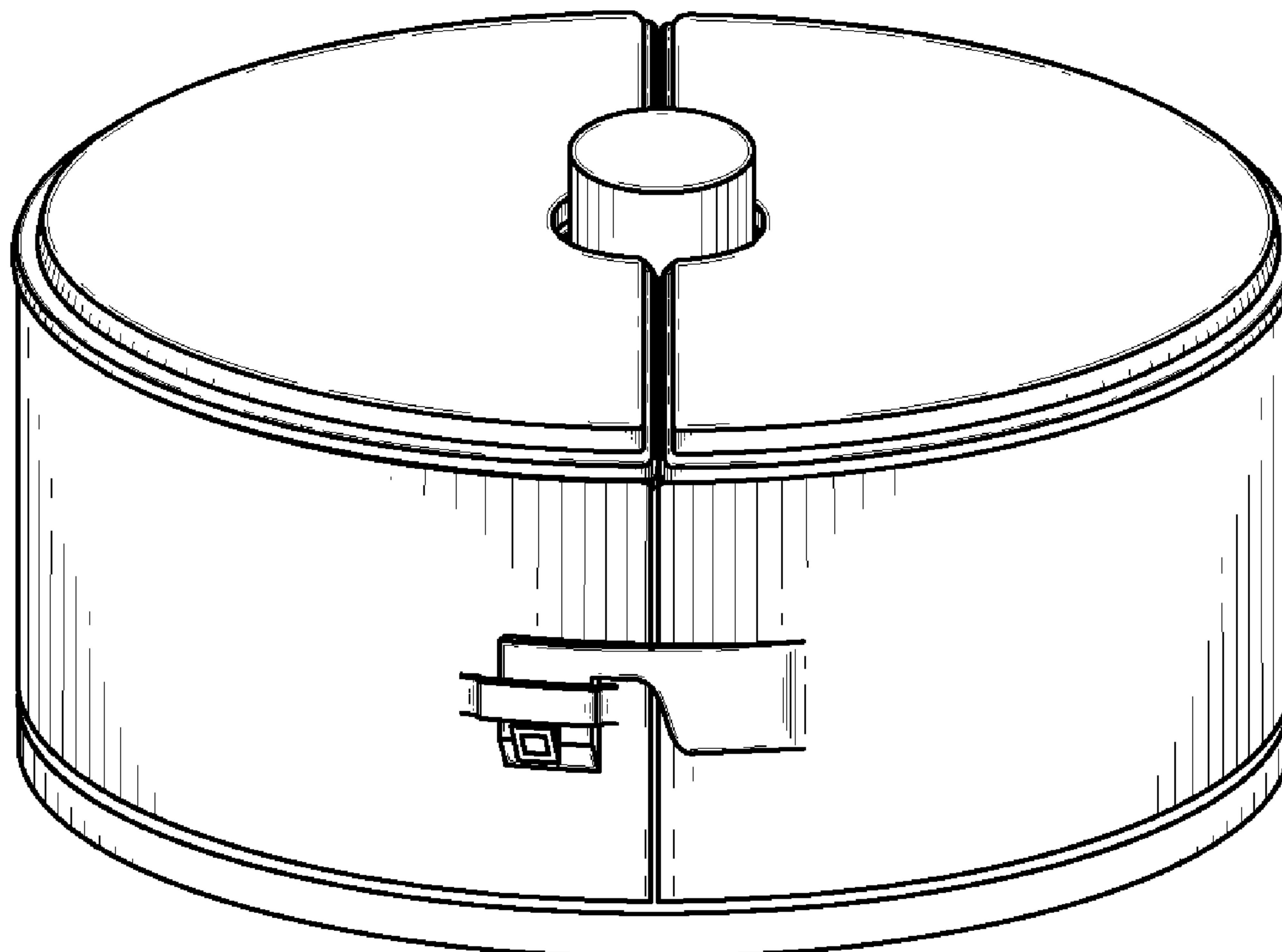
FIG. 4 is a back view thereof;

FIG. 5 is a front view thereof;

FIG. 6 is top view thereof; and,

FIG. 7 is a bottom view thereof.

1 Claim, 3 Drawing Sheets



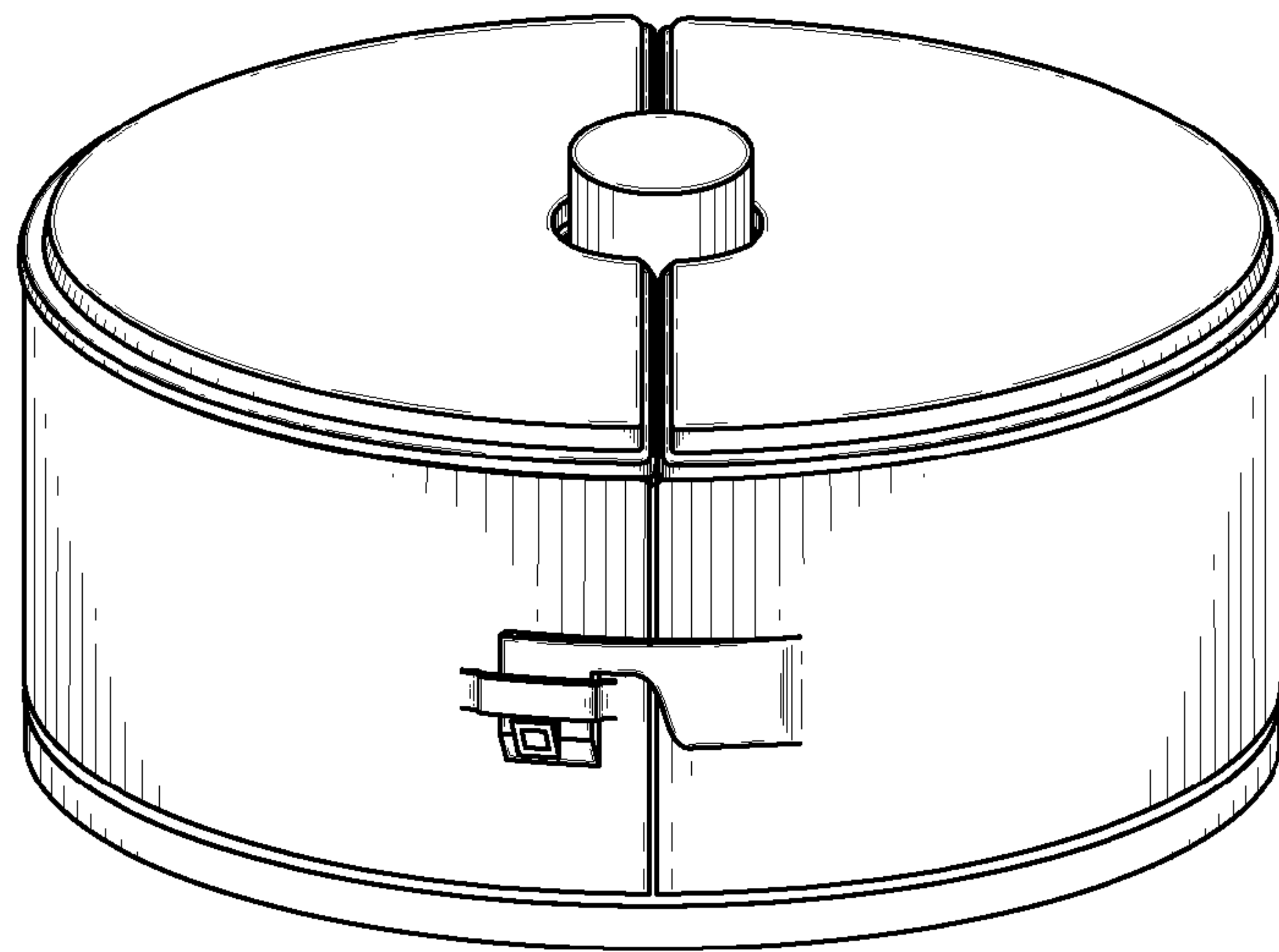


FIG. 1

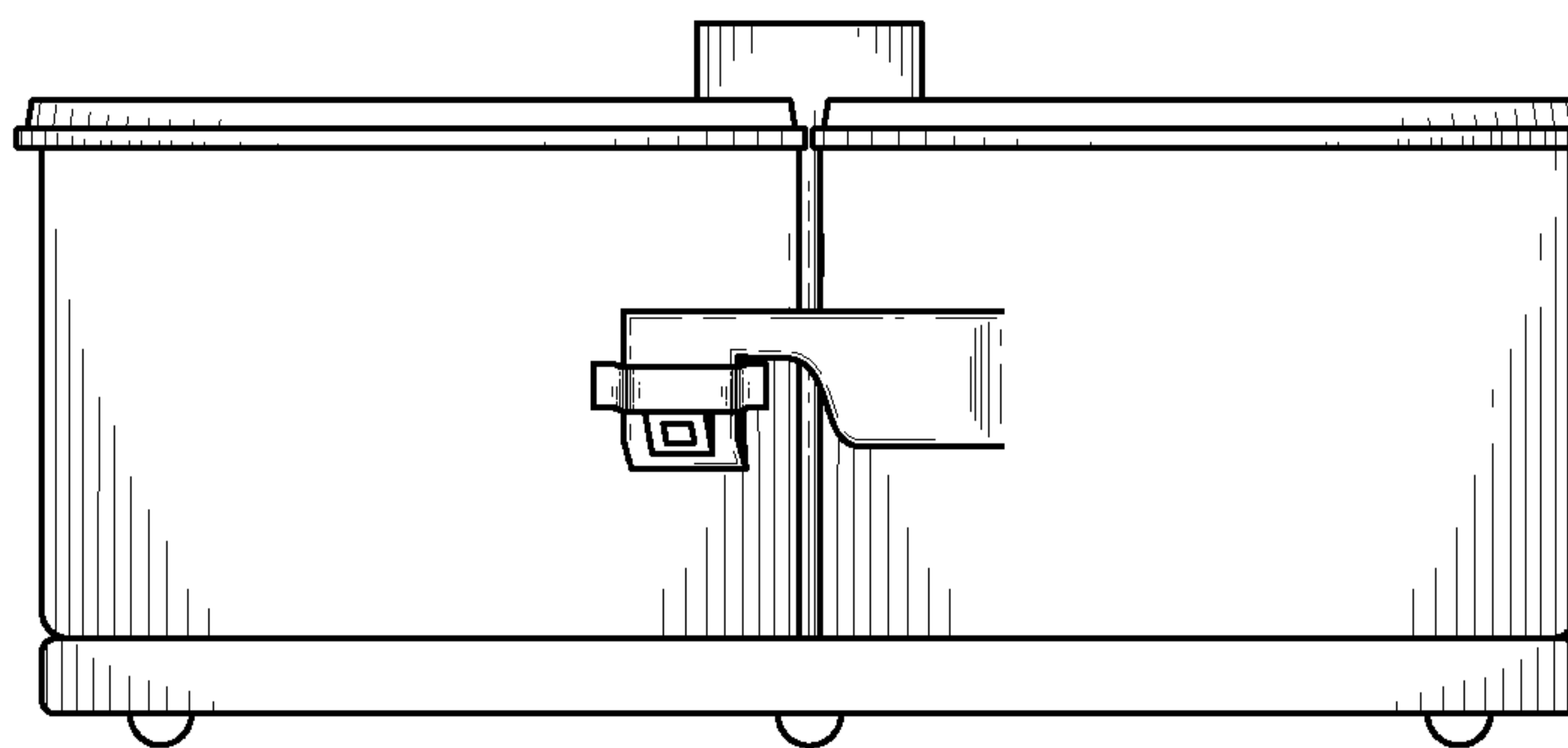


FIG. 2

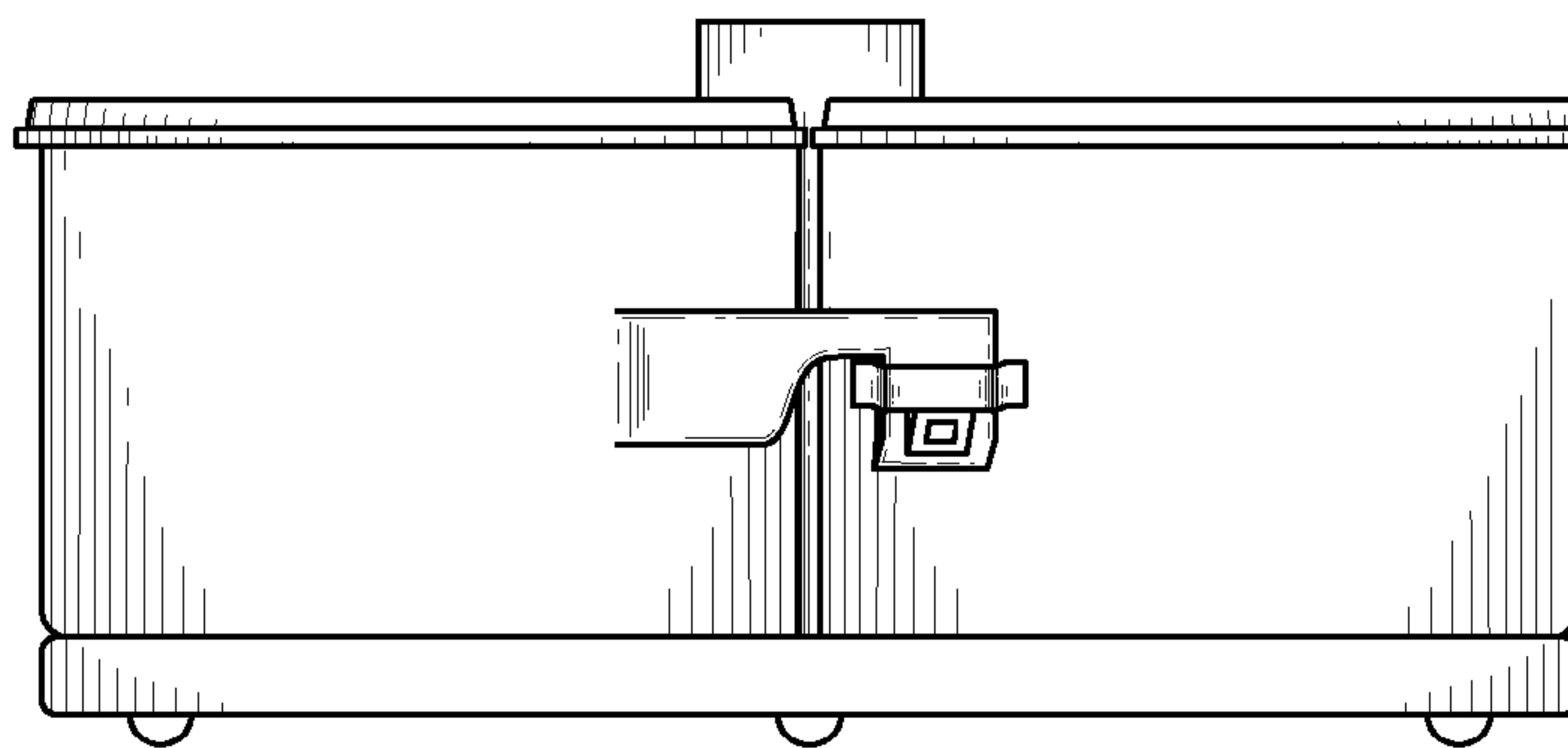


FIG. 3

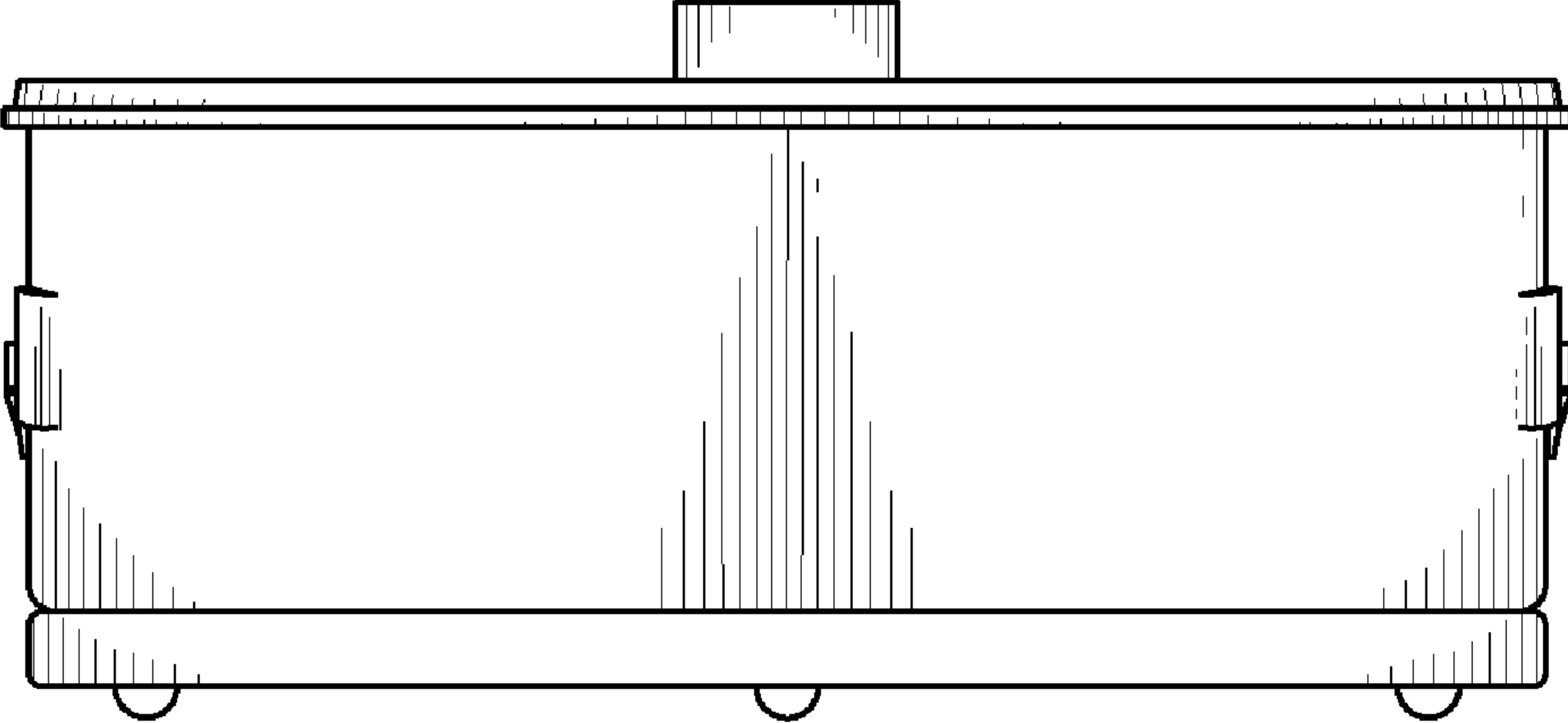


FIG. 4

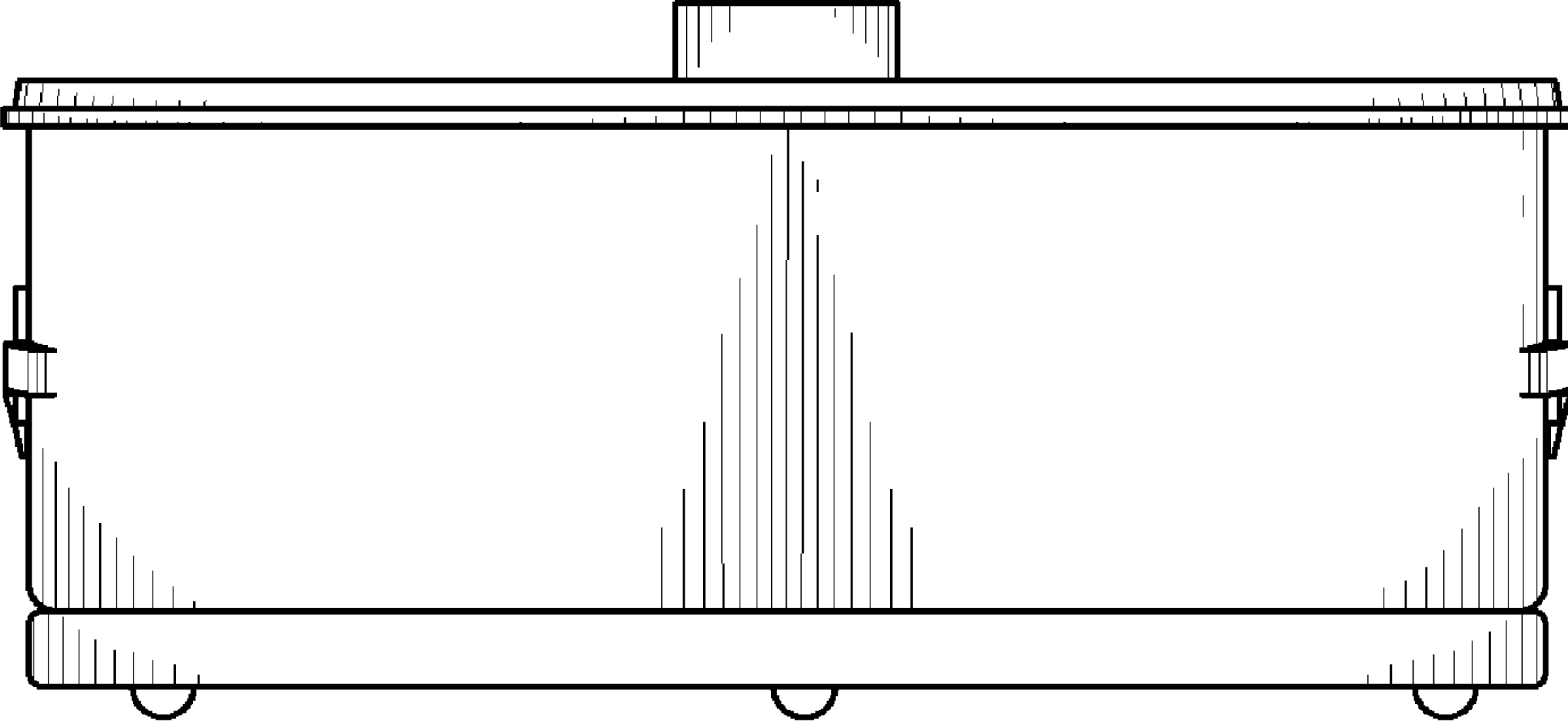


FIG. 5

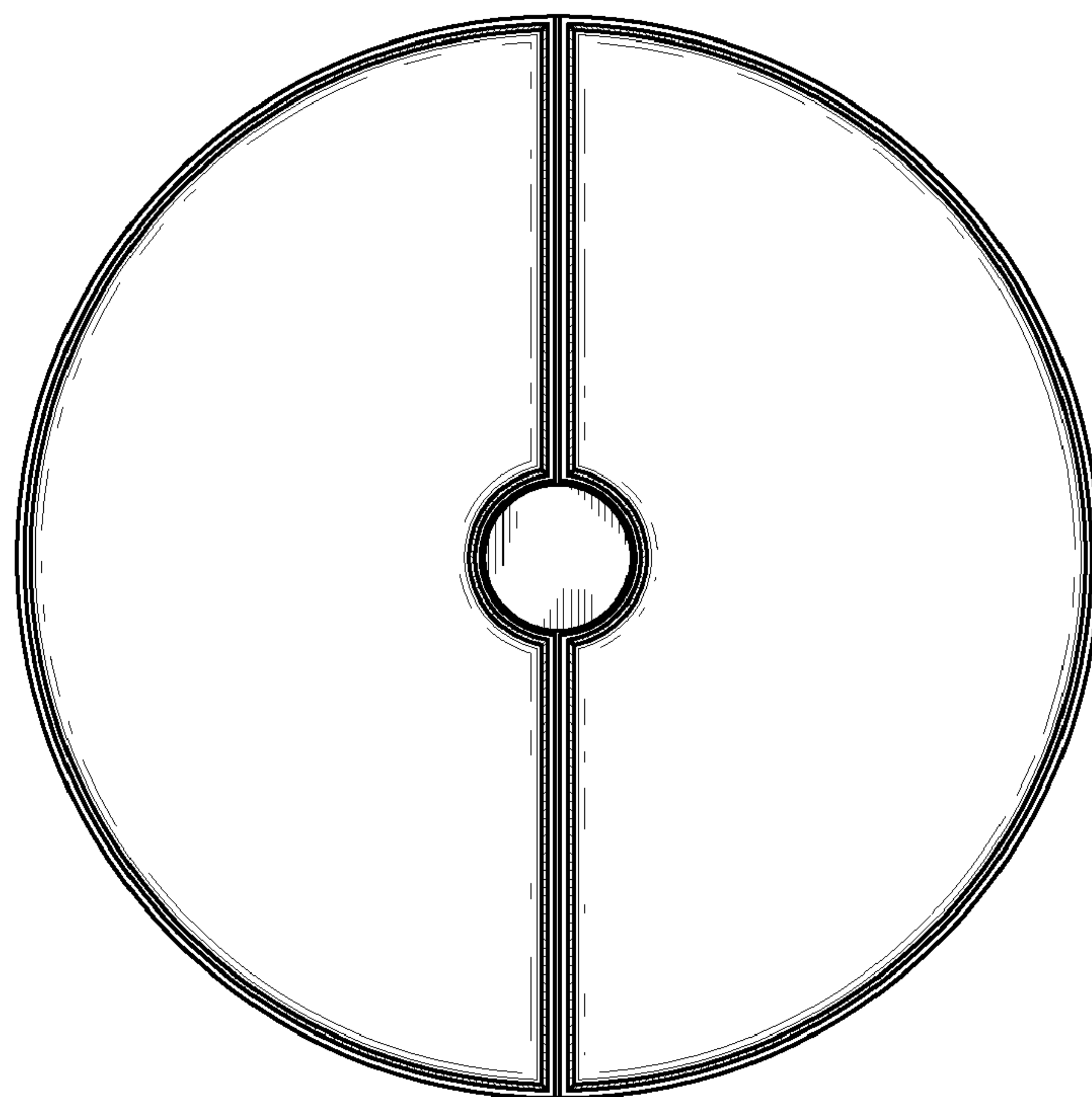


FIG. 6

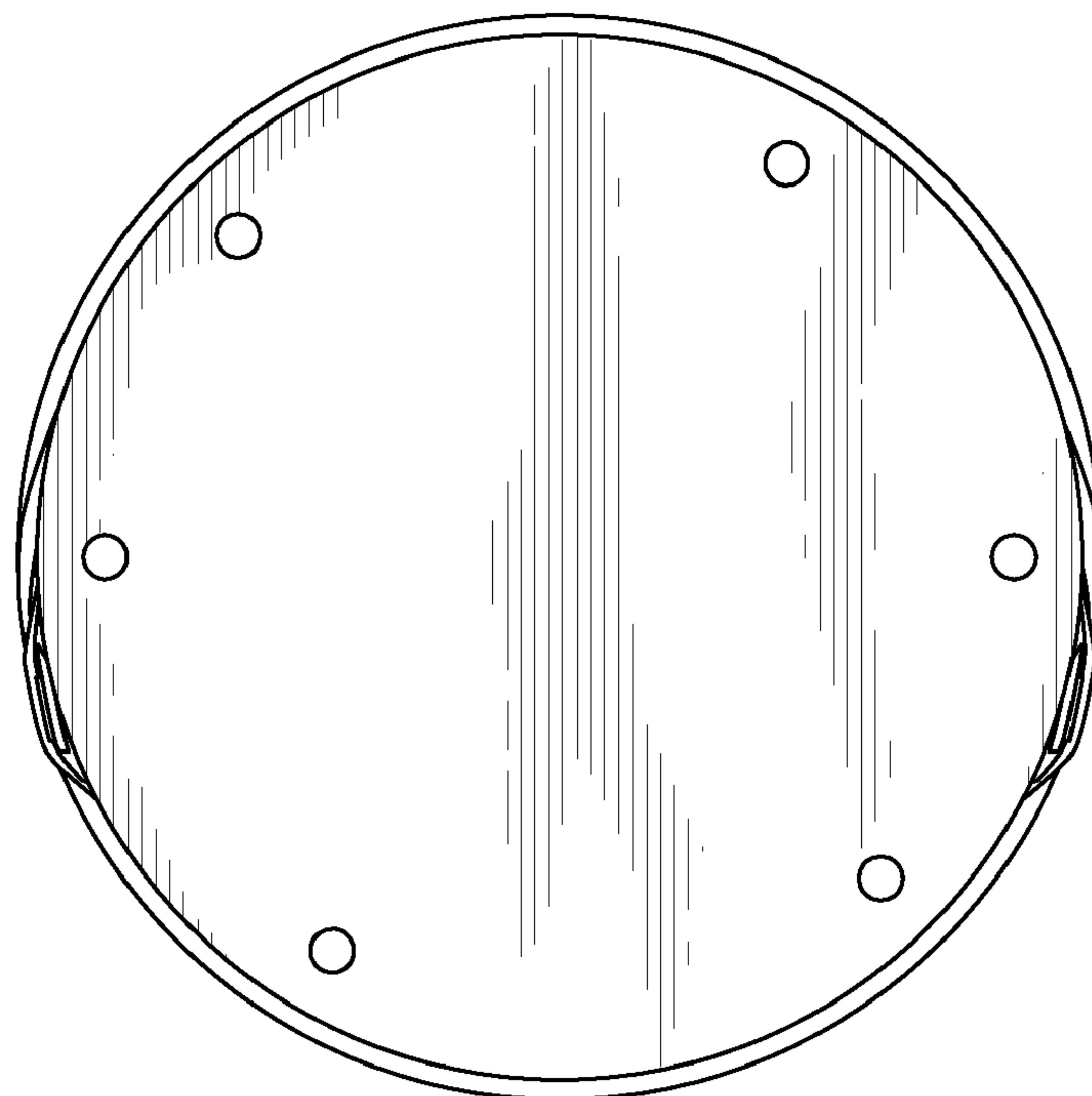


FIG. 7