



US00D631694S

(12) **United States Design Patent**
Baratte

(10) **Patent No.:** **US D631,694 S**

(45) **Date of Patent:** **** Feb. 1, 2011**

(54) **GLASS STEM**

(75) Inventor: **Arnaud Baratte**, Palleville (FR)

(73) Assignee: **Arnaud Baratte Corporate International**, Pavlleville (FR)

(**) Term: **14 Years**

(21) Appl. No.: **29/354,685**

(22) Filed: **Jan. 27, 2010**

(51) **LOC (9) Cl.** **07-01**

(52) **U.S. Cl.** **D7/396.6; D7/396.2**

(58) **Field of Classification Search** **D7/396.2, D7/396.6, 527, 537, 524; 215/377, 10, 372**
See application file for complete search history.

(56) **References Cited**

U.S. PATENT DOCUMENTS

131,141	A	*	9/1872	Will	215/377
195,337	A	*	9/1877	Braunstein	215/377
3,482,731	A	*	12/1969	Douty	220/630
D258,925	S	*	4/1981	Perrin	D7/537
D286,242	S	*	10/1986	Blake et al.	D7/527
5,996,825	A	*	12/1999	Gordon et al.	215/10
6,640,989	B2	*	11/2003	Matsui	215/377

D530,150	S	*	10/2006	Eddy et al.	D7/396.6
D547,773	S	*	7/2007	Aoki	D14/496
D564,894	S	*	3/2008	Buoy	D9/600
D621,662	S	*	8/2010	Karaca	D7/537

* cited by examiner

Primary Examiner—Marianne Pandozzi

(74) *Attorney, Agent, or Firm*—Egbert Law Offices PLLC

(57) **CLAIM**

The ornamental design for a glass stem, as shown and described.

DESCRIPTION

FIG. 1 is a top front perspective view of a glass stem showing my new design;

FIG. 2 is a front elevation view thereof;

FIG. 3 is a top plan view thereof;

FIG. 4 is a bottom plan view thereof;

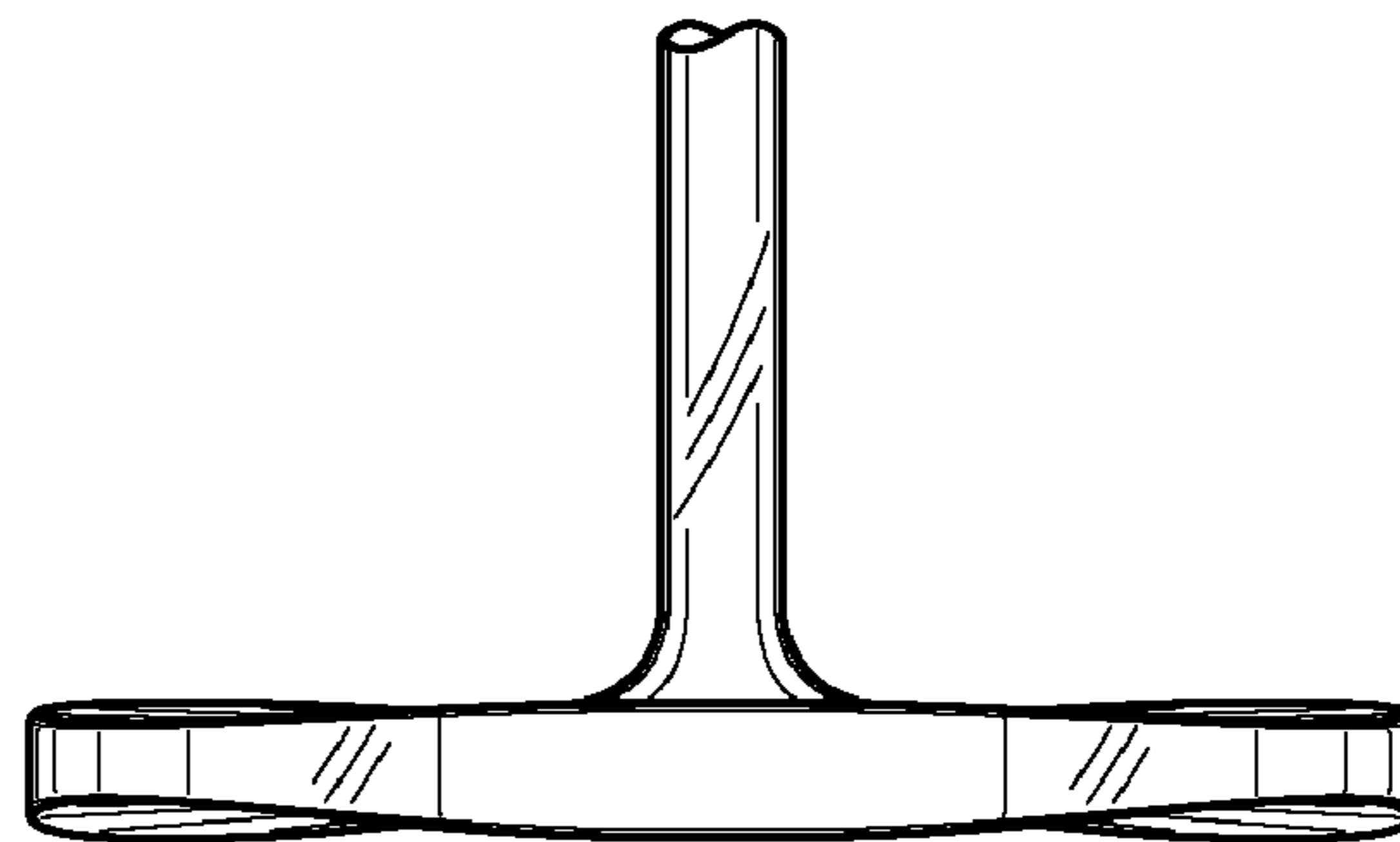
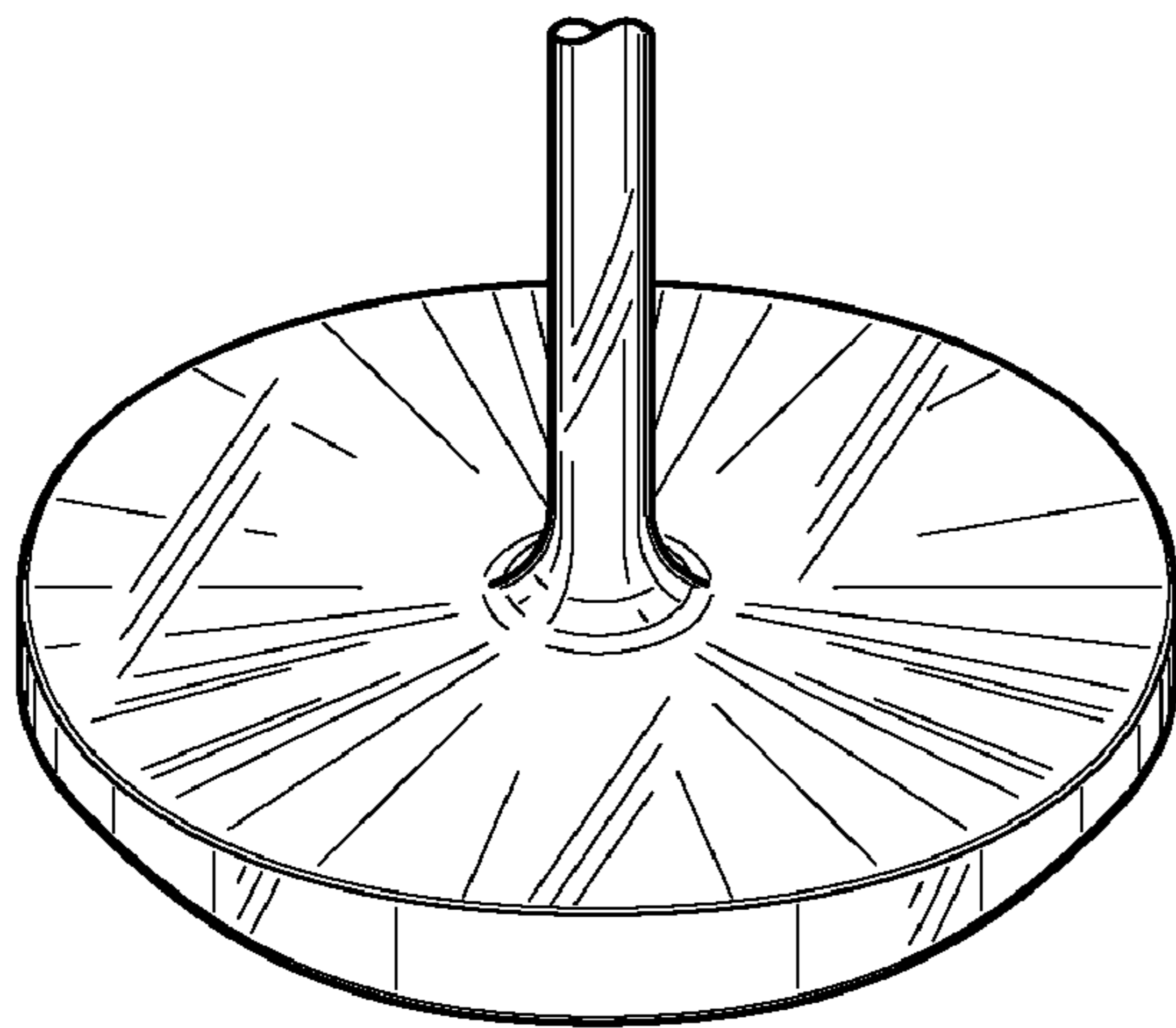
FIG. 5 is a back elevation view thereof;

FIG. 6 is a side elevation view thereof; and,

FIG. 7 is an opposite side view thereof.

The glass stem is the stem and base of a glass.

1 Claim, 2 Drawing Sheets



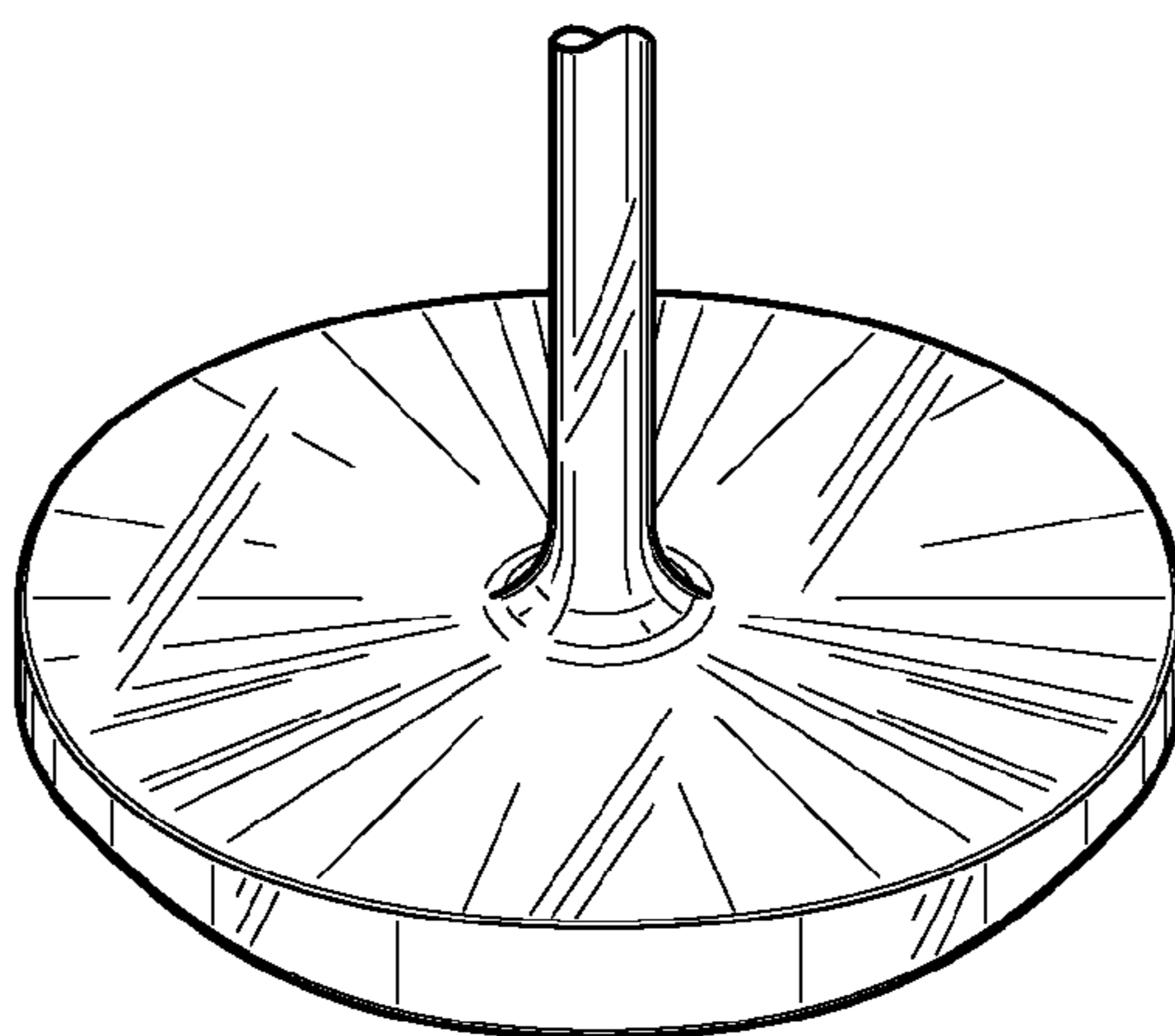


FIG. 1

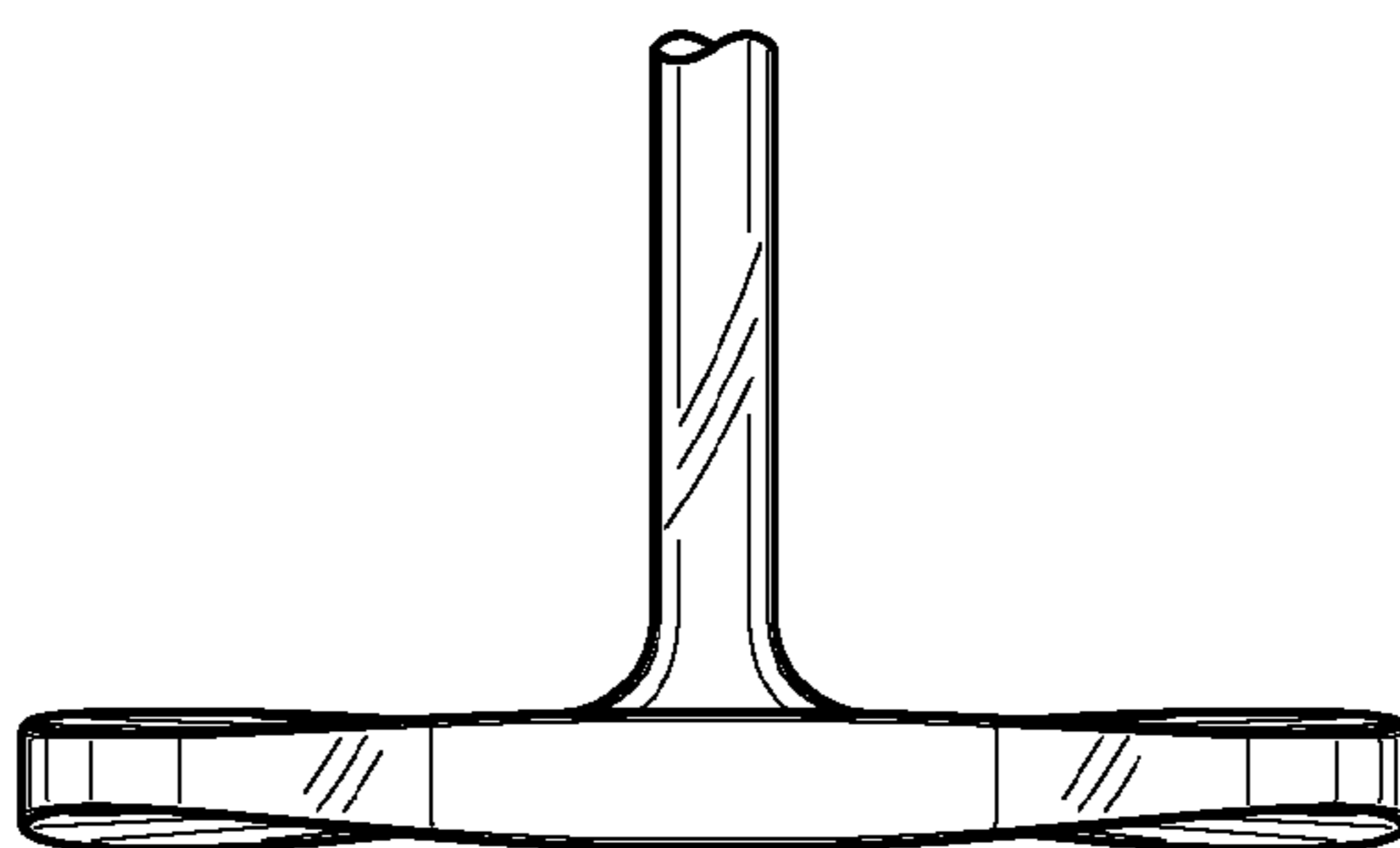


FIG. 2

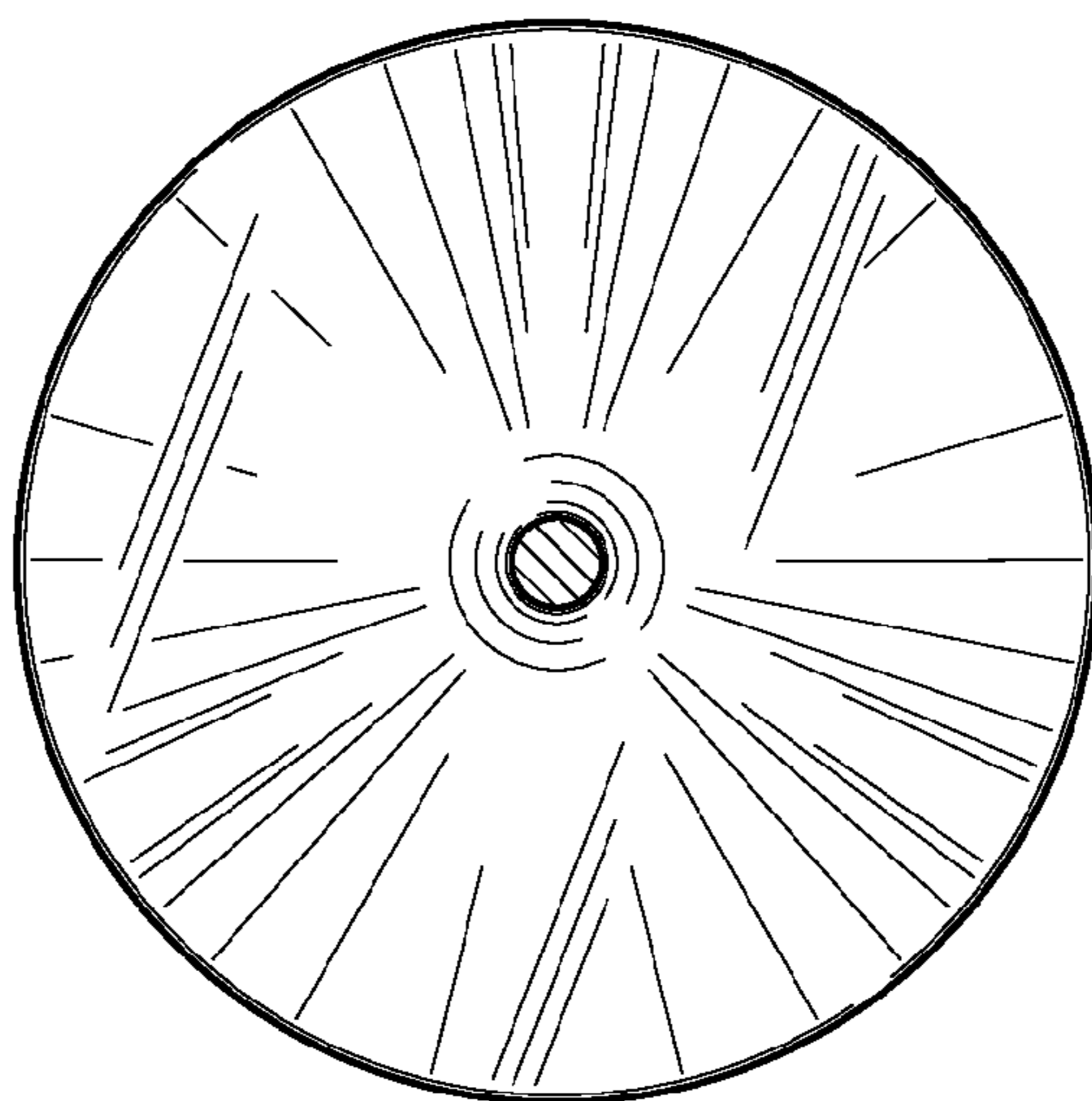


FIG. 3

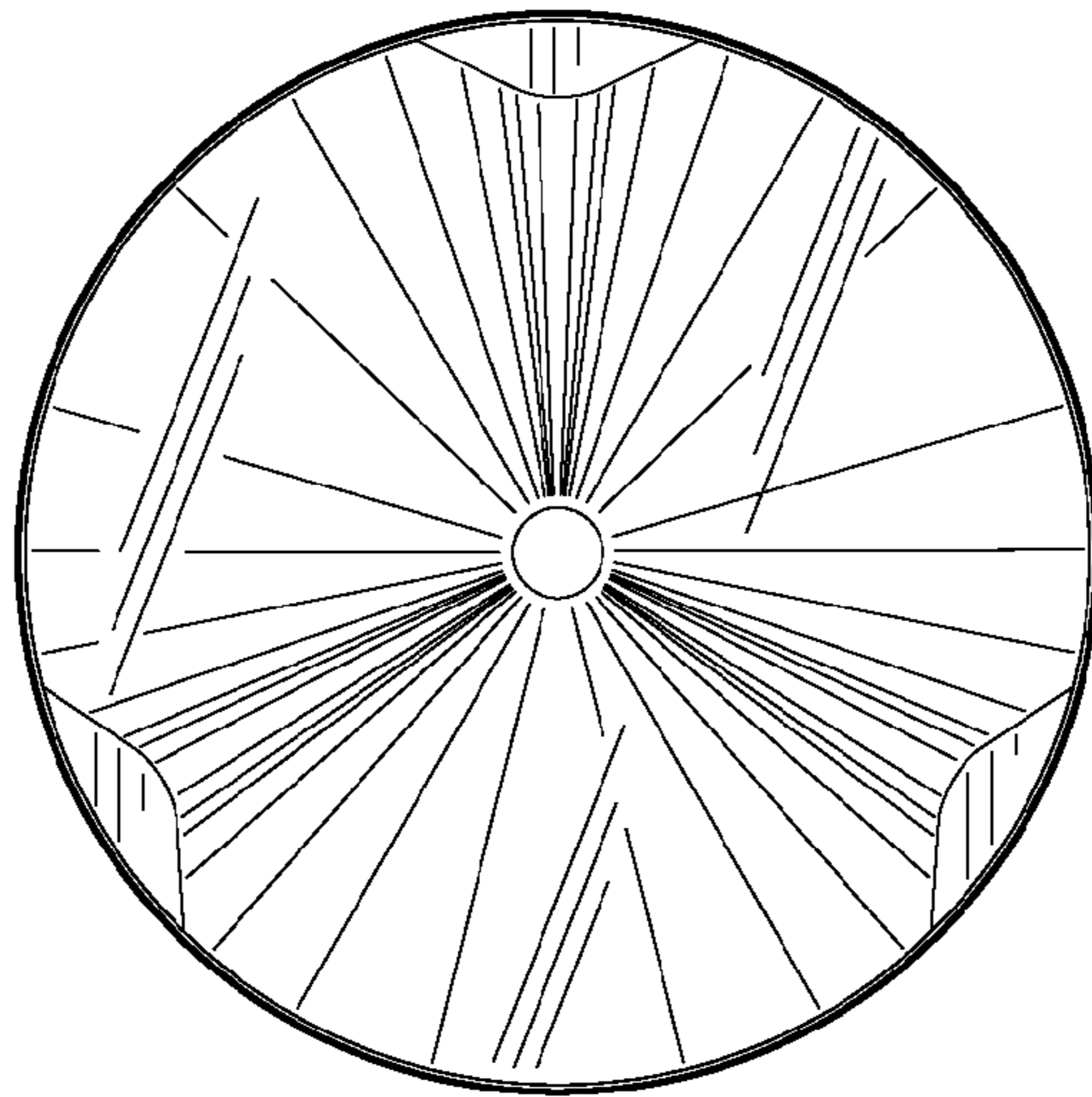


FIG. 4

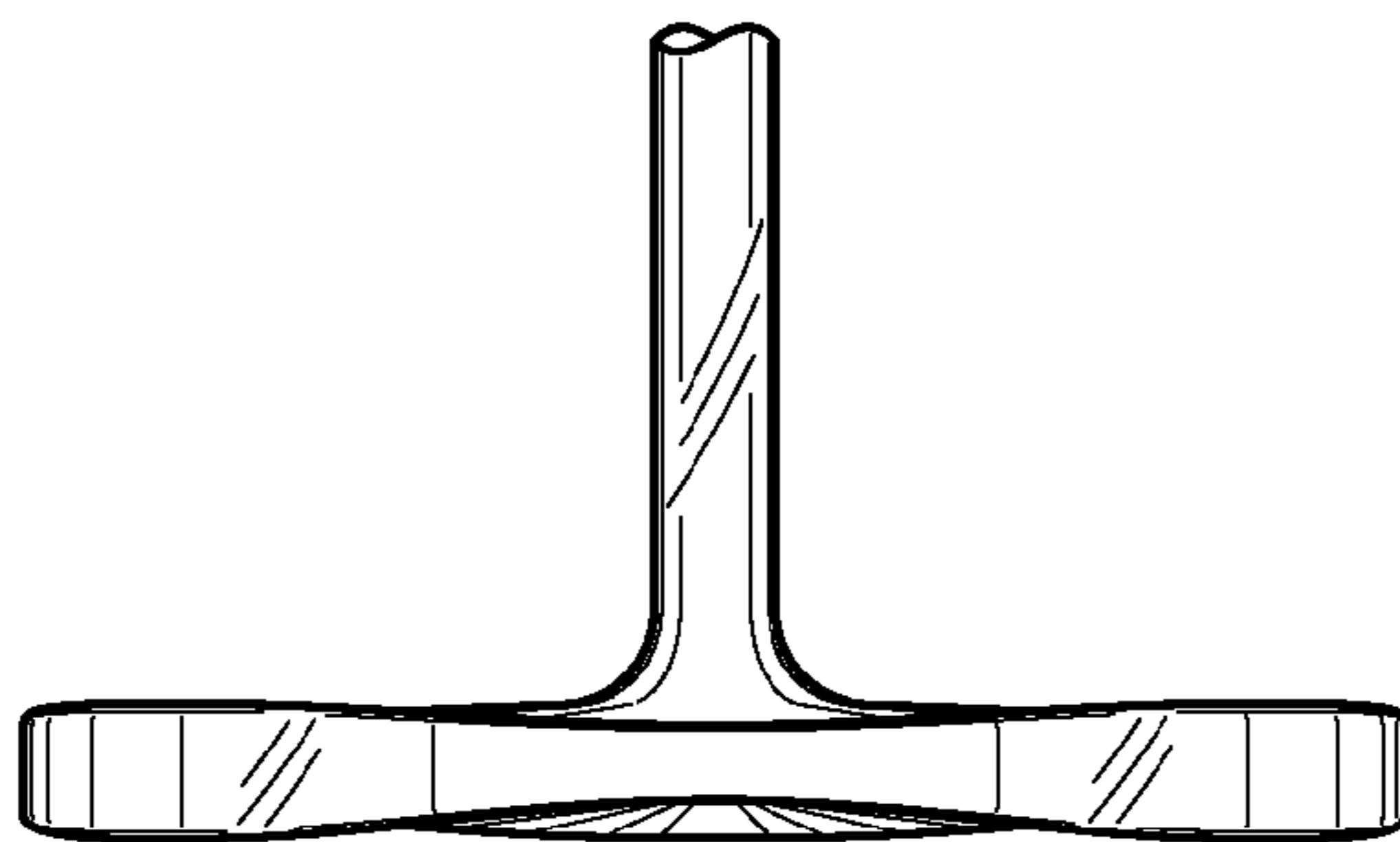


FIG. 5

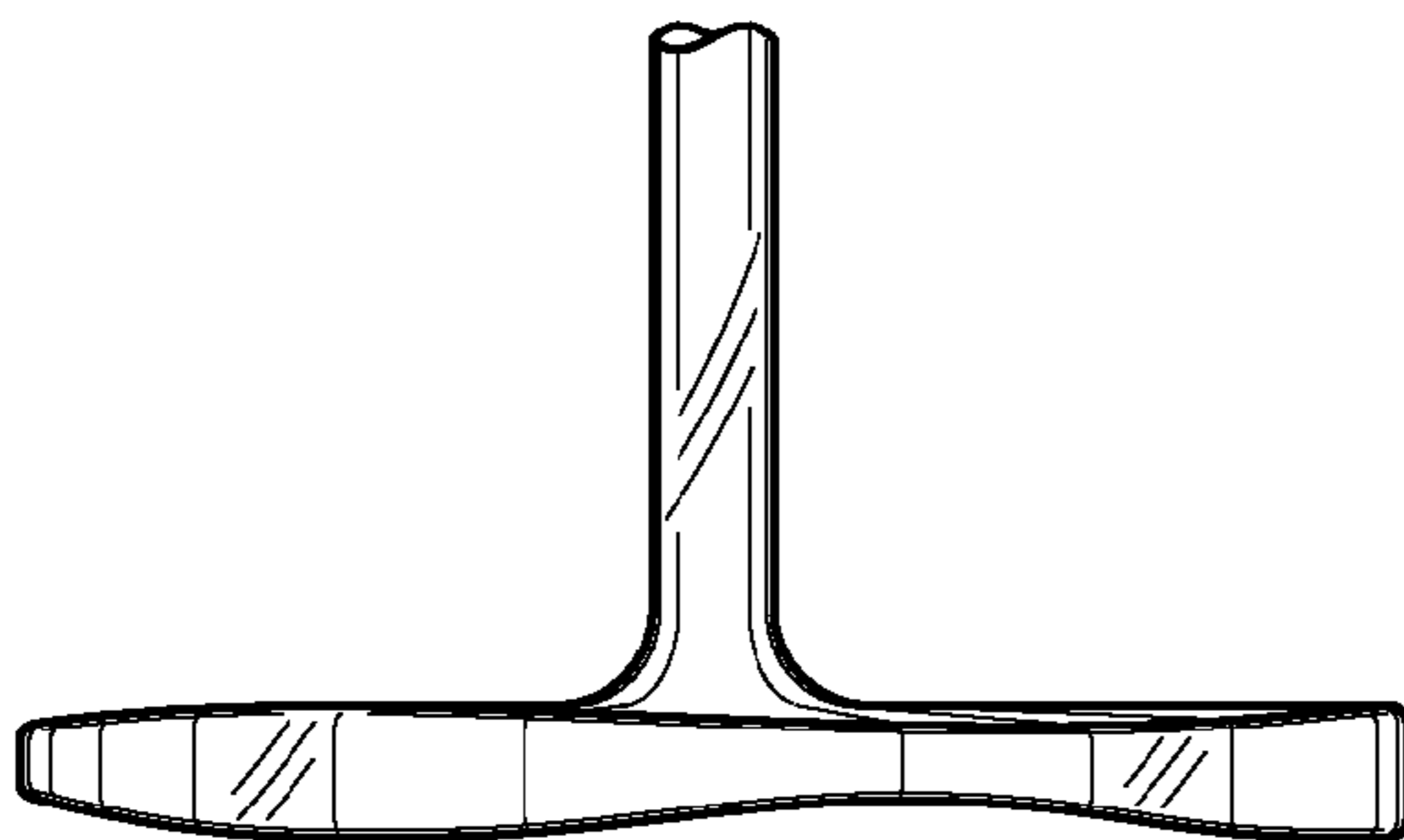


FIG. 6

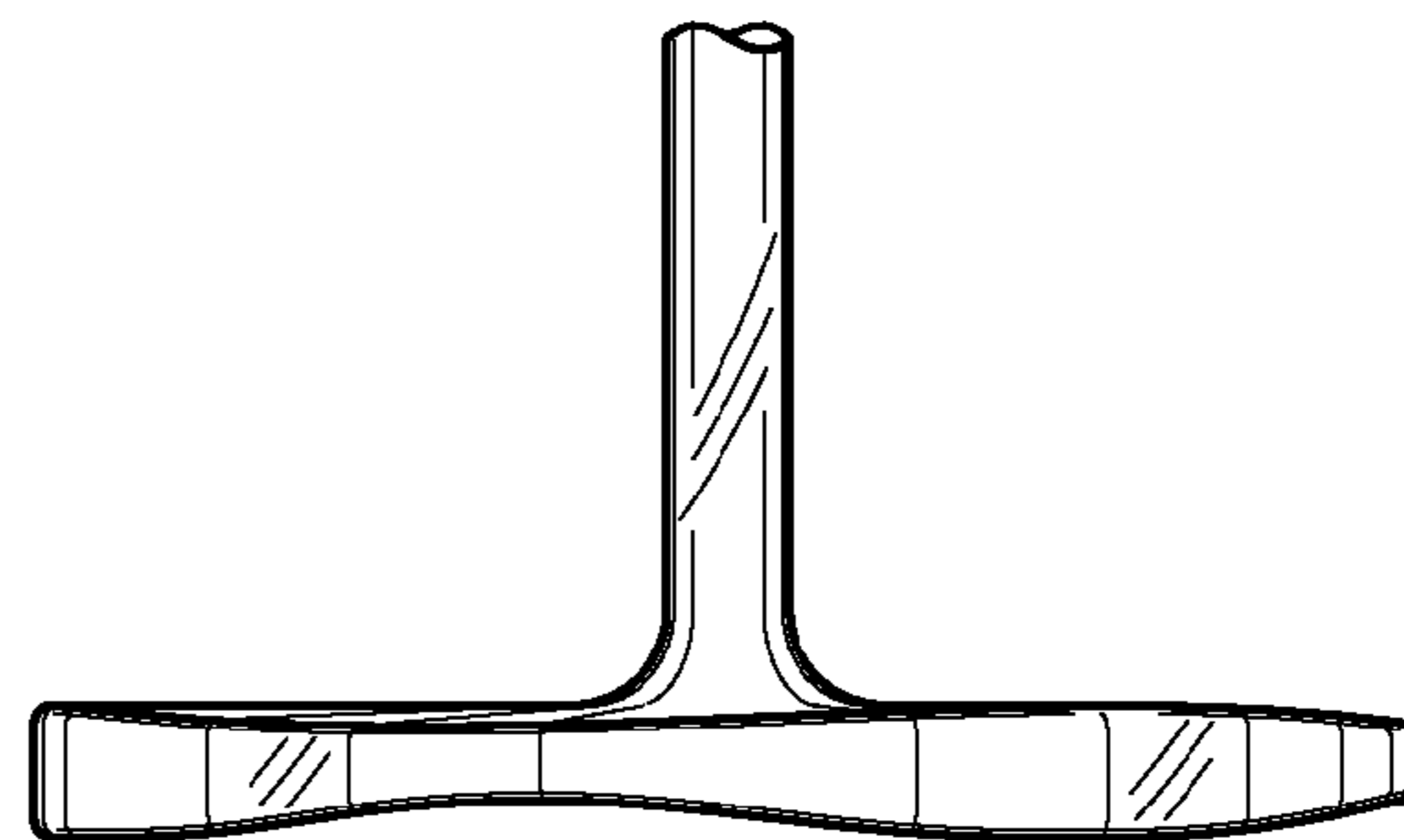


FIG. 7