



US00D631686S

(12) **United States Design Patent**
Tiller et al.

(10) **Patent No.:** **US D631,686 S**
(45) **Date of Patent:** **** Feb. 1, 2011**

(54) **BARBEQUE**

(75) Inventors: **Robert Bruce Tiller**, New South Wales (AU); **Joseph Ormrod**, New South Wales (AU); **Joshua Morabito**, New South Wales (AU)

(73) Assignee: **Shriro Australia Pty Limited**, New South Wales (AU)

(**) Term: **14 Years**

(21) Appl. No.: **29/343,069**

(22) Filed: **Sep. 4, 2009**

(30) **Foreign Application Priority Data**

Mar. 4, 2009 (AU) 10684/2009

(51) **LOC (9) Cl.** **07-02**

(52) **U.S. Cl.** **D7/337**

(58) **Field of Classification Search** D7/394,
D7/332, 334–337, 402–404; 126/25 R, 9 R,
126/40, 50, 41 R, 38; 431/344; 99/425
See application file for complete search history.

(56) **References Cited**

U.S. PATENT DOCUMENTS

D458,506 S * 6/2002 DeMars D7/332
D473,415 S * 4/2003 Yeh D7/337
D503,306 S * 3/2005 Huang D7/337

D503,582 S * 4/2005 Johnson et al. D7/332
D525,819 S * 8/2006 Chung D7/337
D600,968 S * 9/2009 Chung D7/337
2008/0271728 A1 * 11/2008 Pai 126/25 R
2010/0180881 A1 * 7/2010 Chen 126/25 R

* cited by examiner

Primary Examiner—Ruth McInroy

(74) *Attorney, Agent, or Firm*—Fitch, Even, Tabin & Flannery

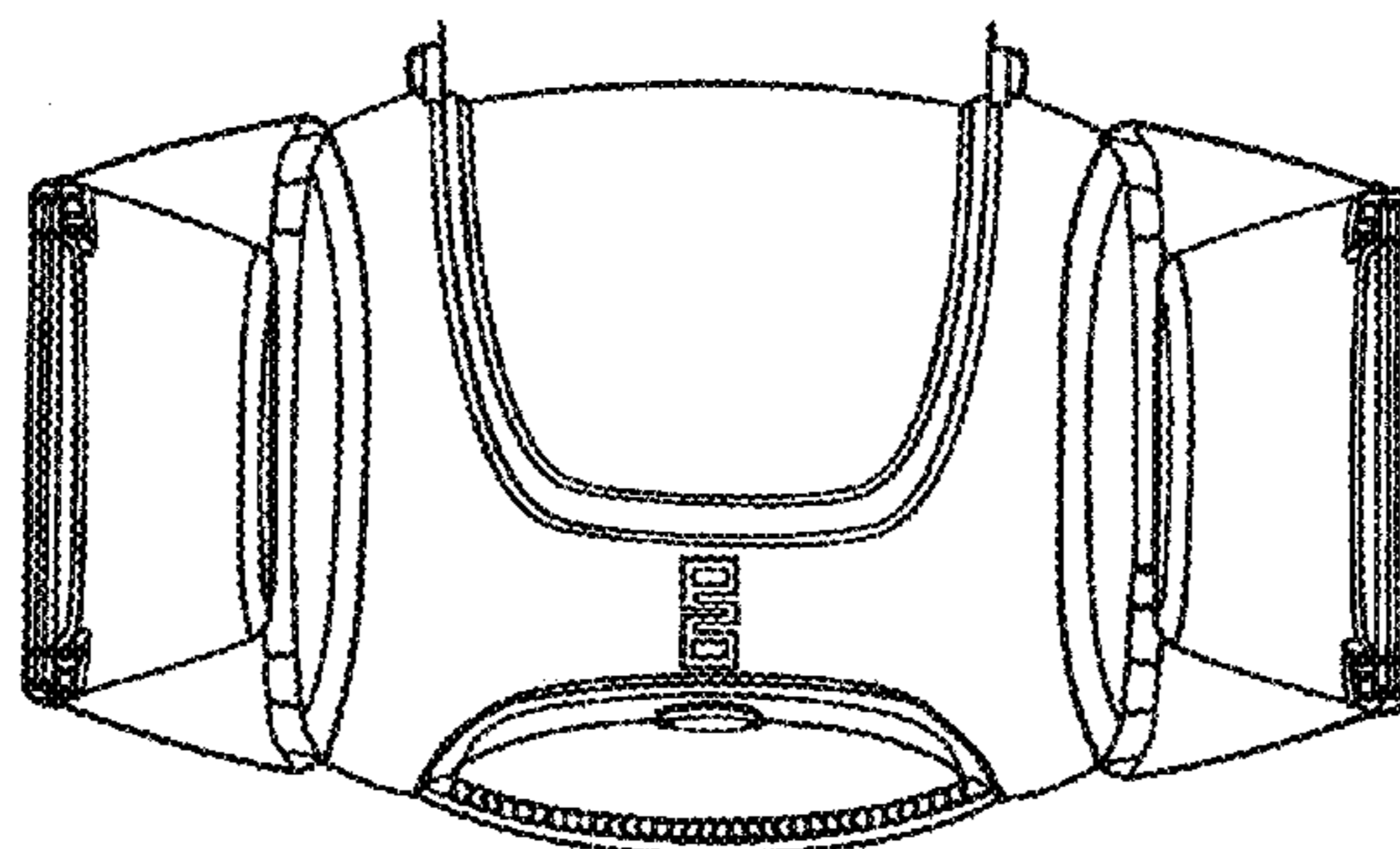
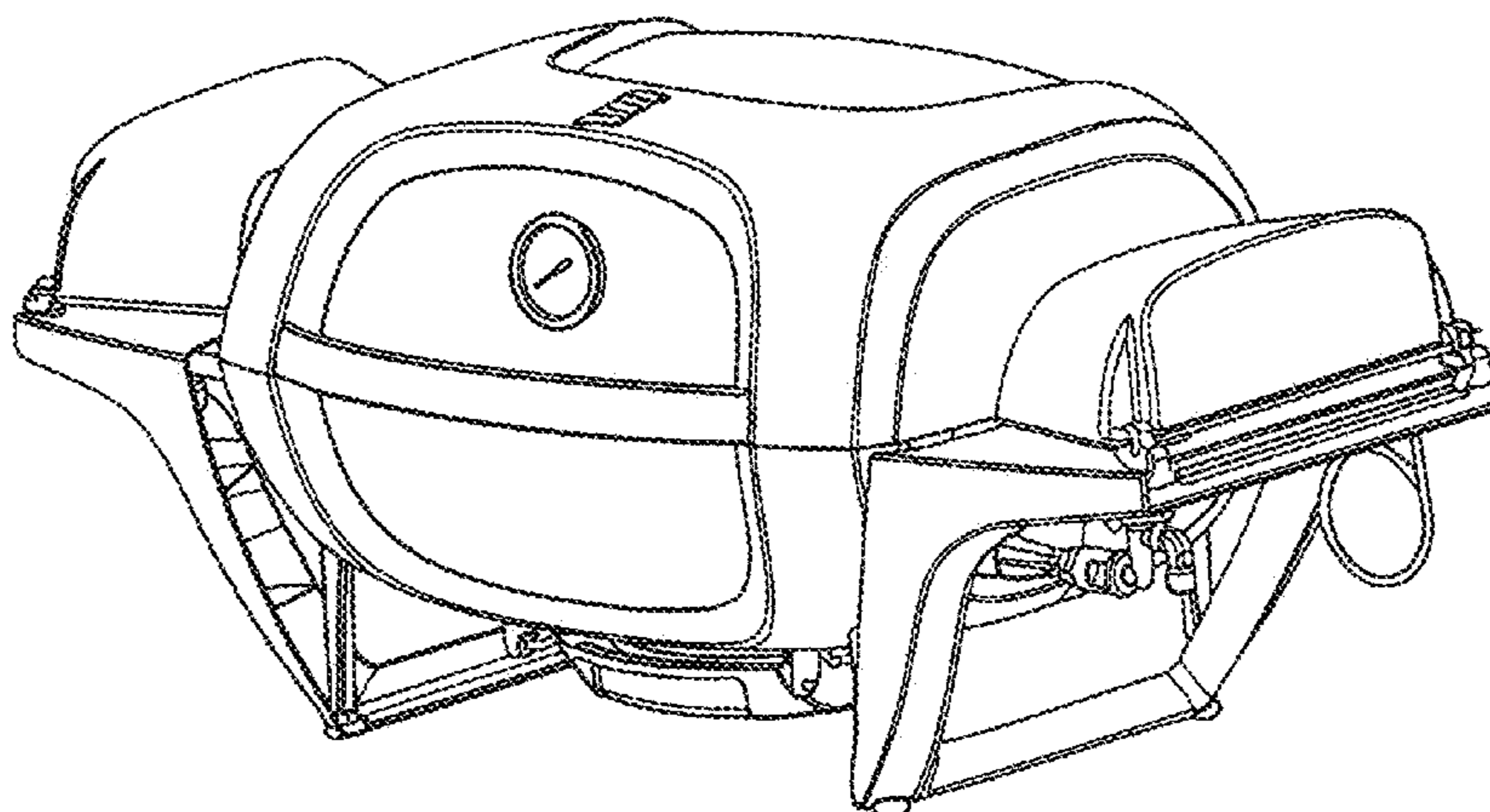
(57) **CLAIM**

We claim the ornamental design for a barbeque, as shown and described.

DESCRIPTION

FIG. 1 is a perspective view of the barbeque showing our new design in a closed condition with the lid closed on the base; FIG. 2 is a front elevational view thereof; FIG. 3 is a rear elevational view thereof; FIG. 4 is a top plan view thereof; FIG. 5 is a bottom plan view thereof; FIG. 6 is a right side elevational view thereof; FIG. 7 is a left side elevational view thereof; and, FIG. 8 is perspective view of the barbeque in an open condition with the lid pivoted open from the base.

1 Claim, 5 Drawing Sheets



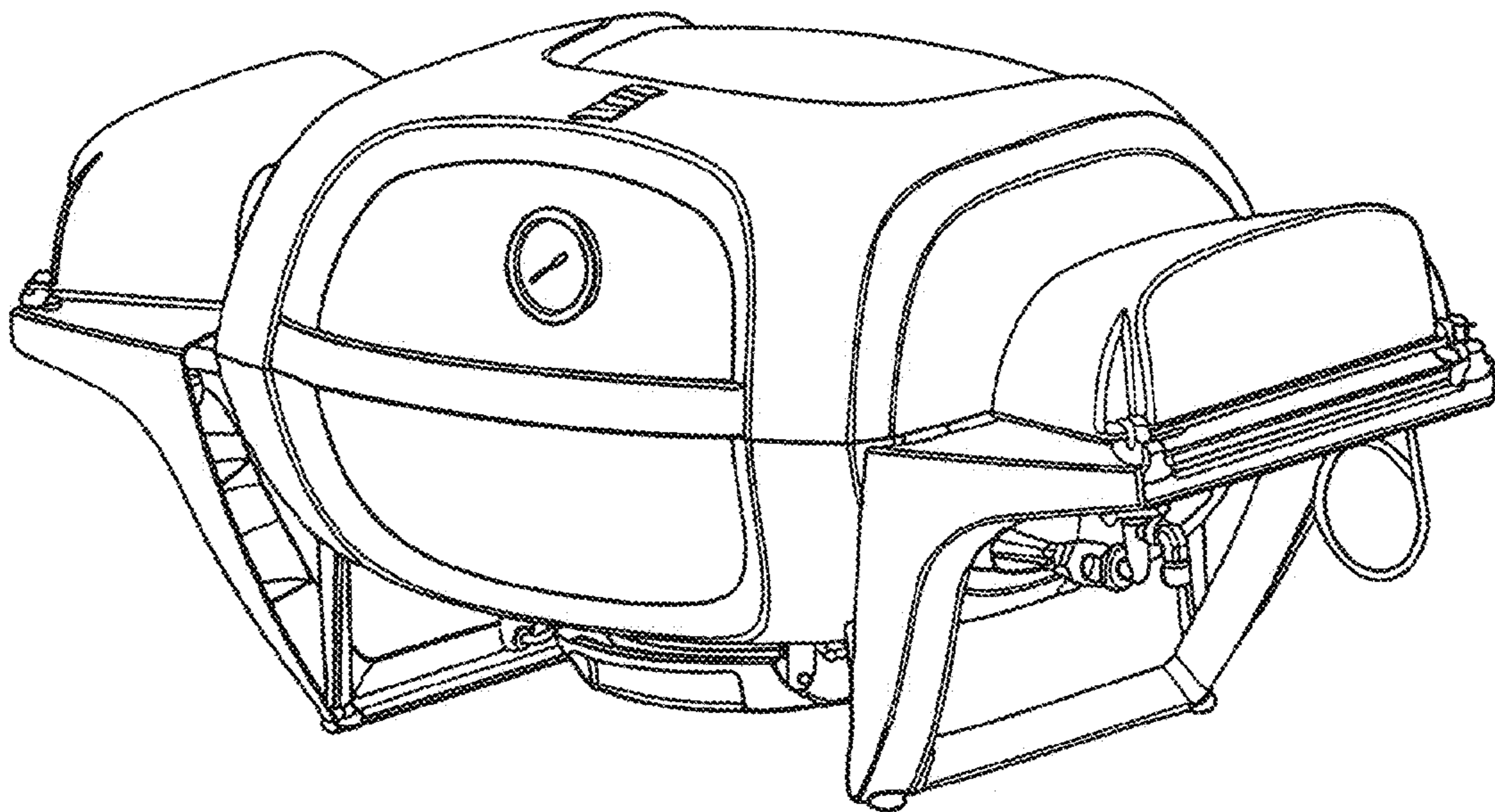


FIG. 1

FIG.2

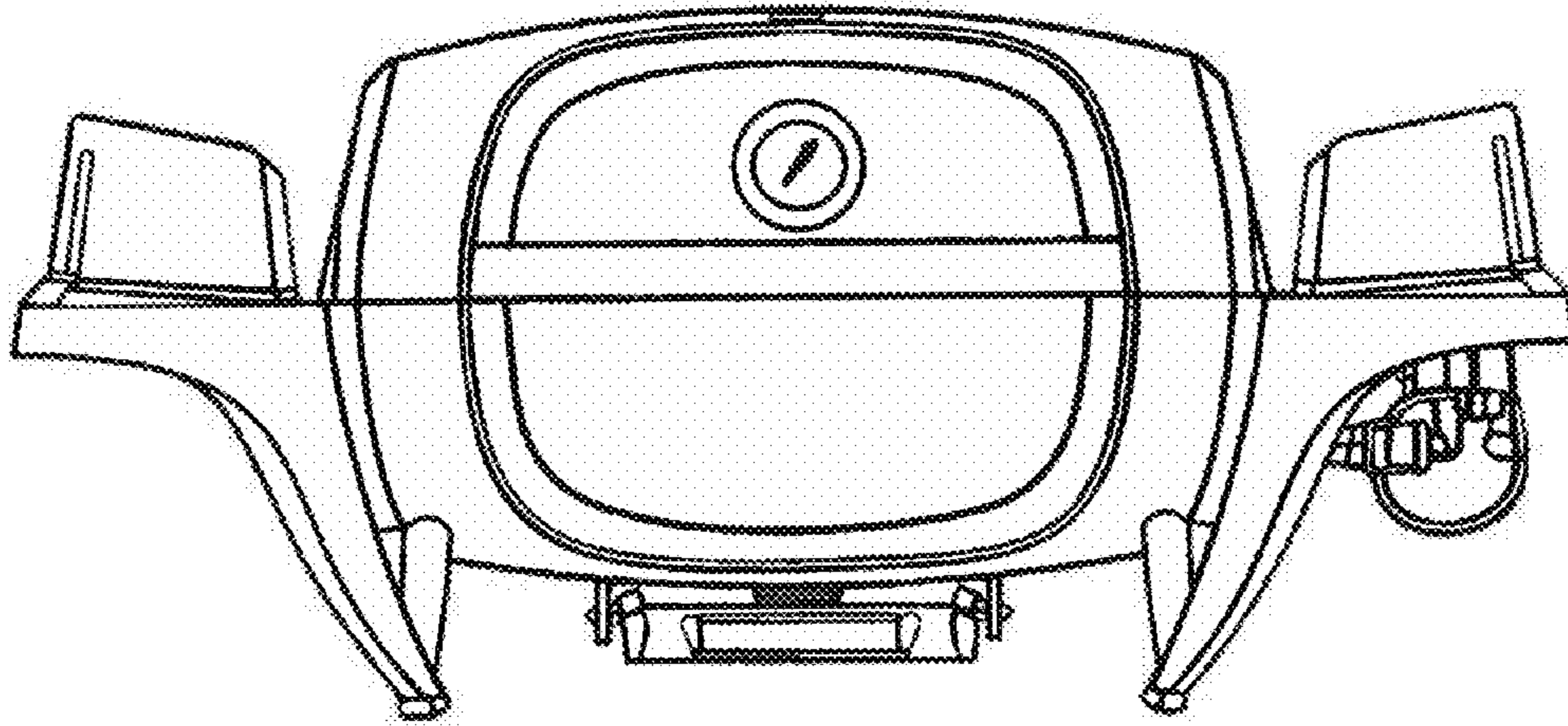
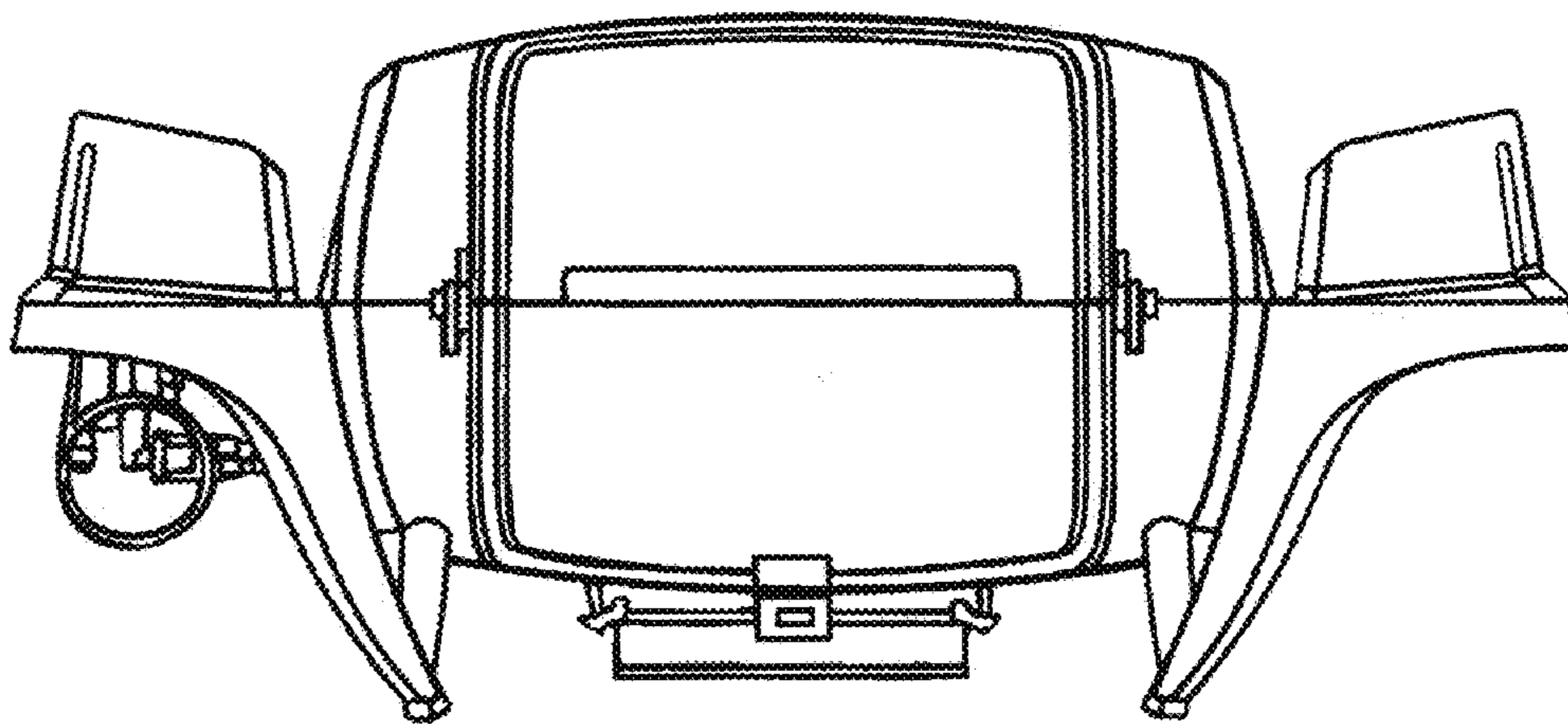


FIG.3



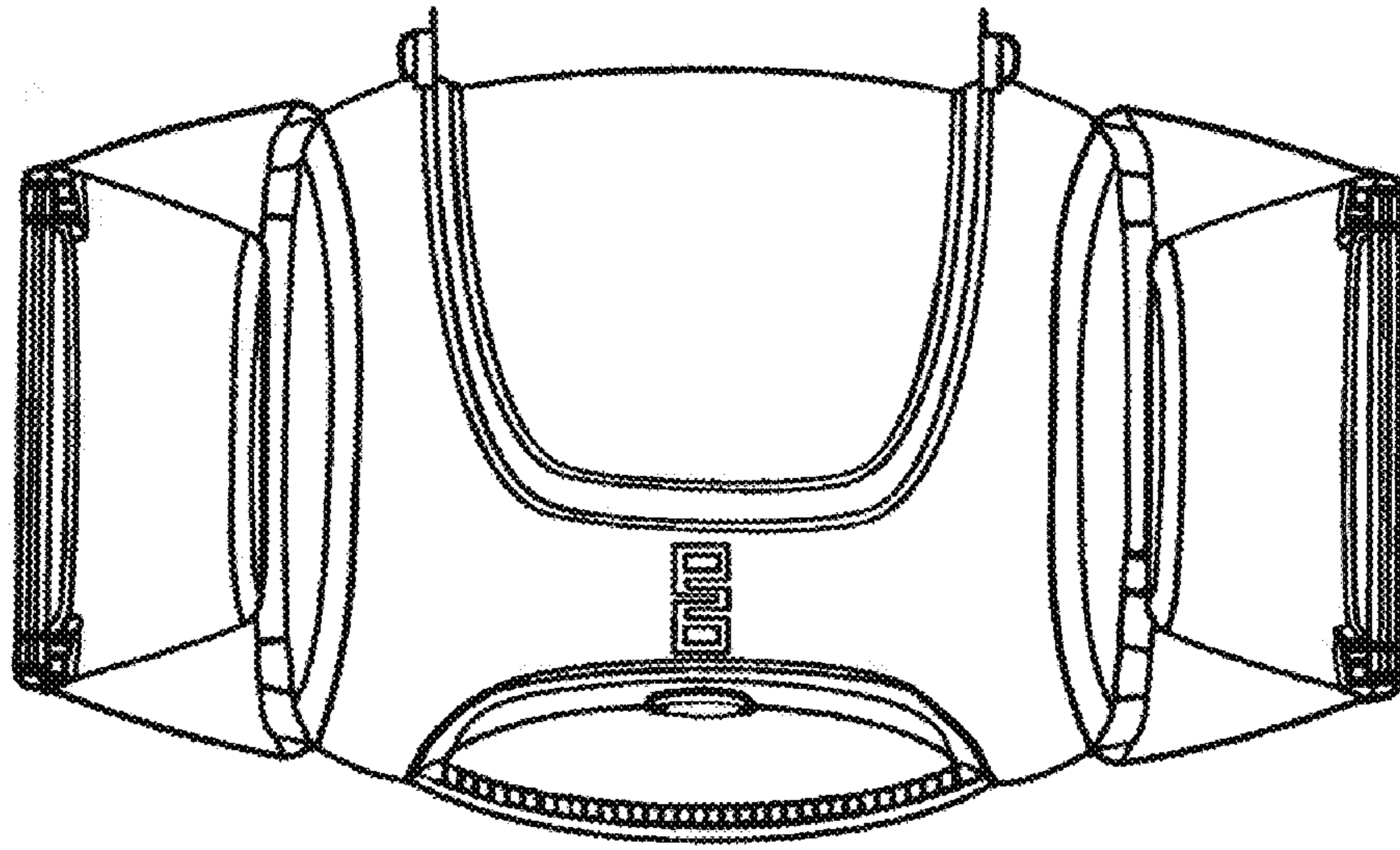
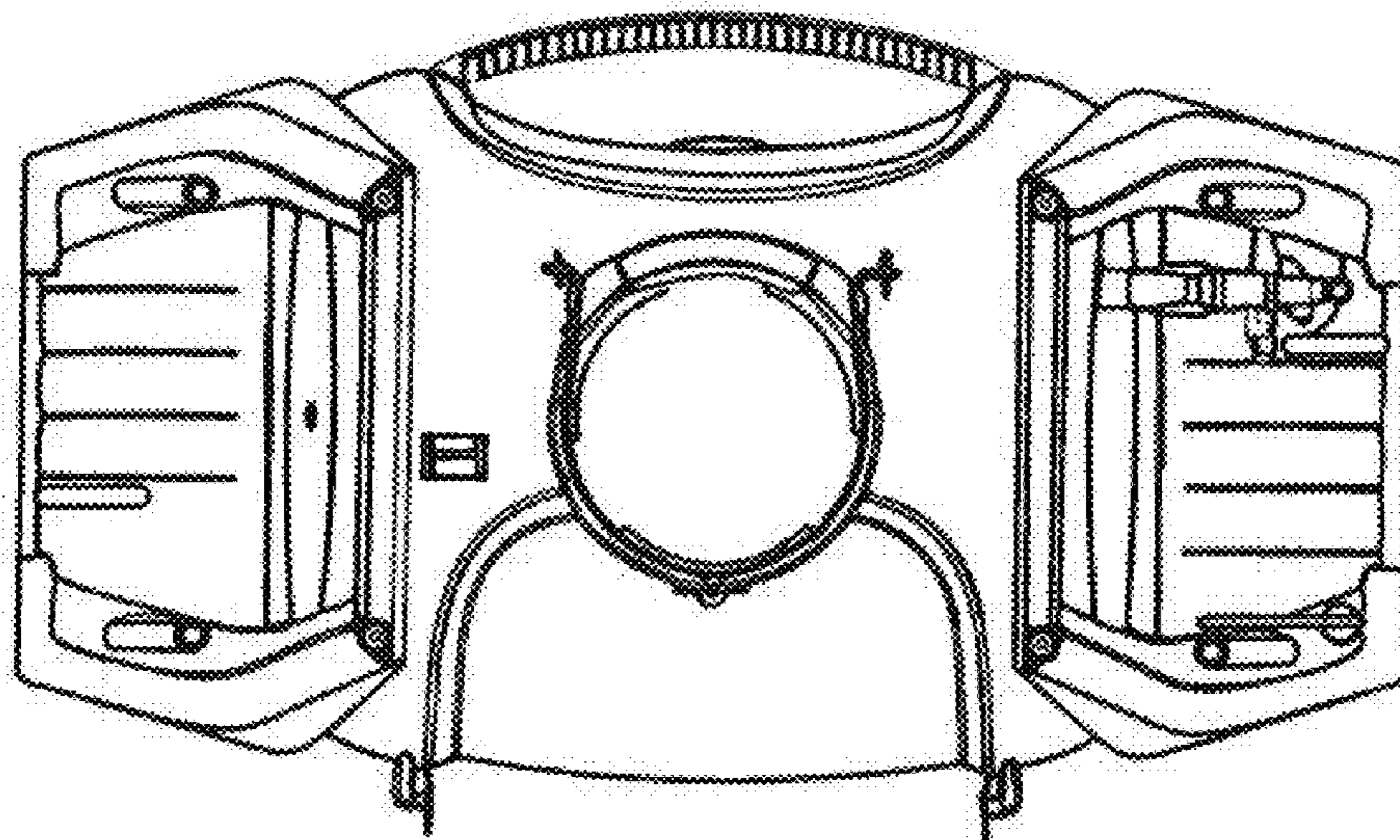


FIG. 4

FIG. 5



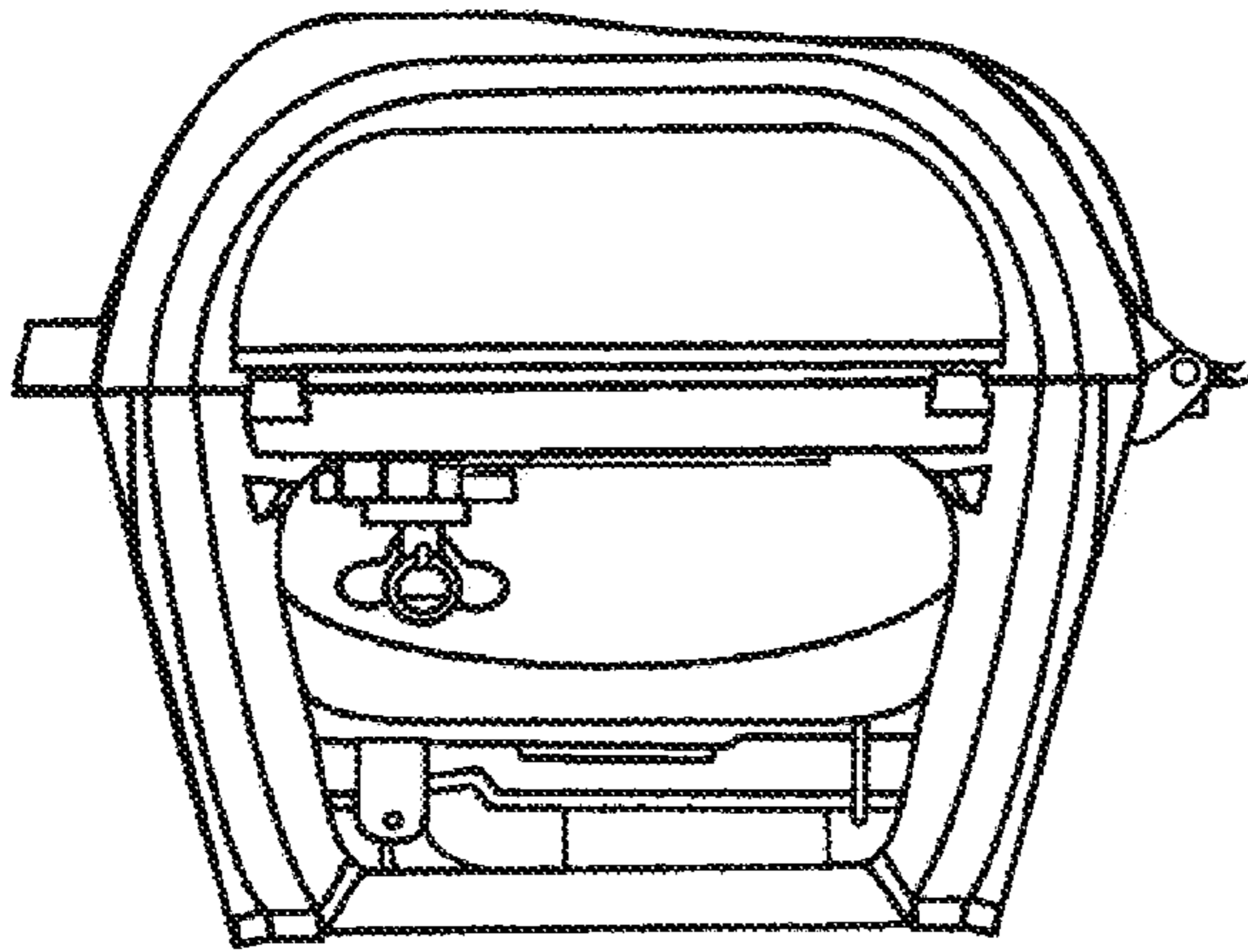


FIG. 6

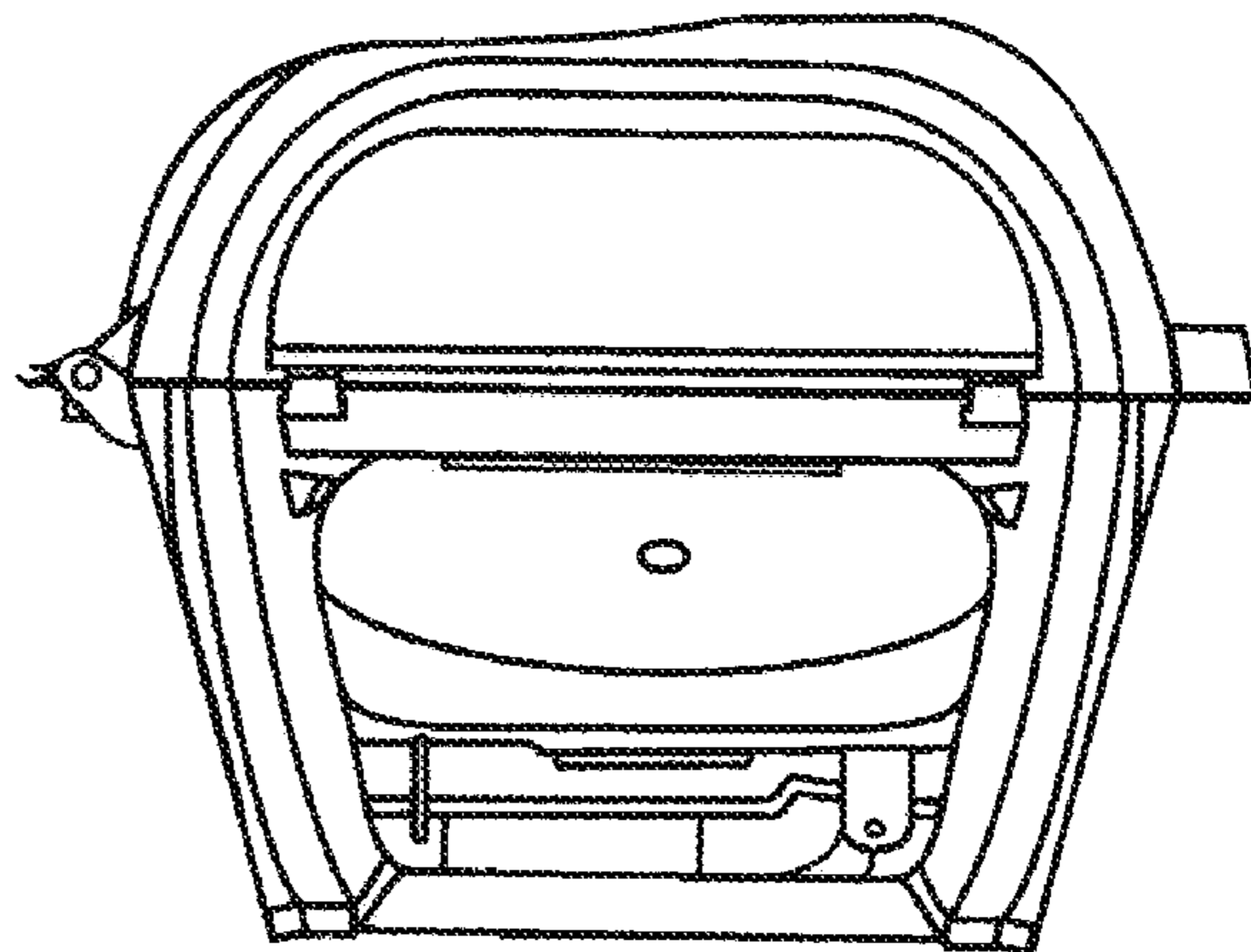


FIG. 7

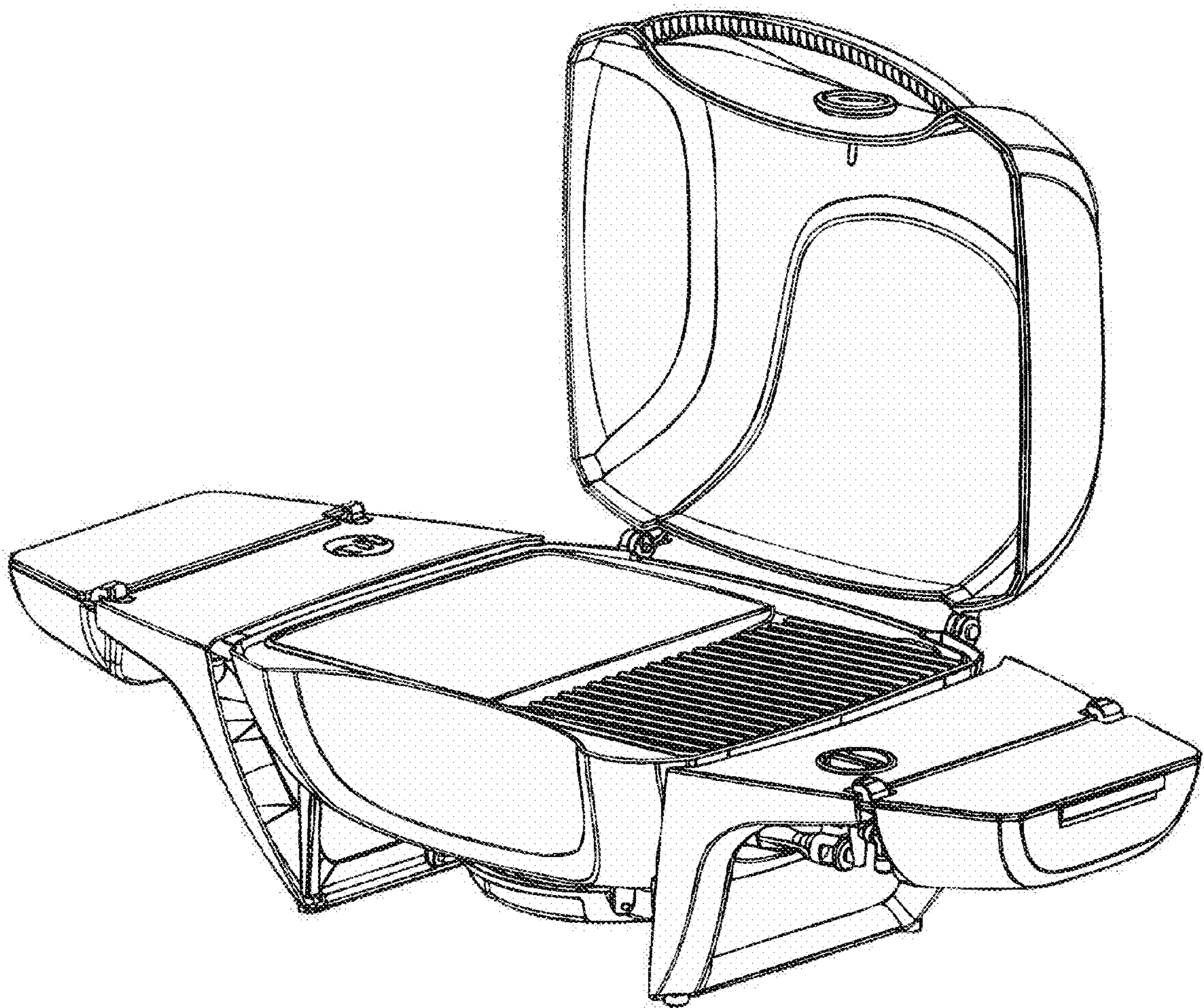


FIG.8