



US00D631685S

(12) **United States Design Patent**
Tiller et al.

(10) **Patent No.:** **US D631,685 S**
(45) **Date of Patent:** **** Feb. 1, 2011**

(54) **BARBEQUE**

(75) Inventors: **Robert Bruce Tiller**, New South Wales (AU); **Joseph Ormrod**, New South Wales (AU); **Joshua Morabito**, New South Wales (AU)

(73) Assignee: **Shriro Australia Pty Limited**, New South Wales (AU)

(**) Term: **14 Years**

(21) Appl. No.: **29/343,068**

(22) Filed: **Sep. 4, 2009**

(30) **Foreign Application Priority Data**

Mar. 4, 2009 (AU) 10683/2009

(51) **LOC (9) Cl.** **07-02**

(52) **U.S. Cl.** **D7/337**

(58) **Field of Classification Search** D7/394, D7/332, 334-337, 402-404; 126/25 R, 9 R, 126/40, 50, 41 R, 38; 431/344; 99/425
See application file for complete search history.

(56) **References Cited**

U.S. PATENT DOCUMENTS

D455,598 S * 4/2002 Pai D7/337
D498,113 S * 11/2004 Zhang D7/332
D503,868 S * 4/2005 Pai D7/337

D513,149 S * 12/2005 Zhang D7/337
D515,863 S * 2/2006 Chung D7/337
D549,038 S * 8/2007 Chung D7/337
D600,969 S * 9/2009 Chung D7/337
D600,970 S * 9/2009 Chung D7/337

* cited by examiner

Primary Examiner—Ruth McInroy

(74) *Attorney, Agent, or Firm*—Fitch, Even, Tabin & Flannery

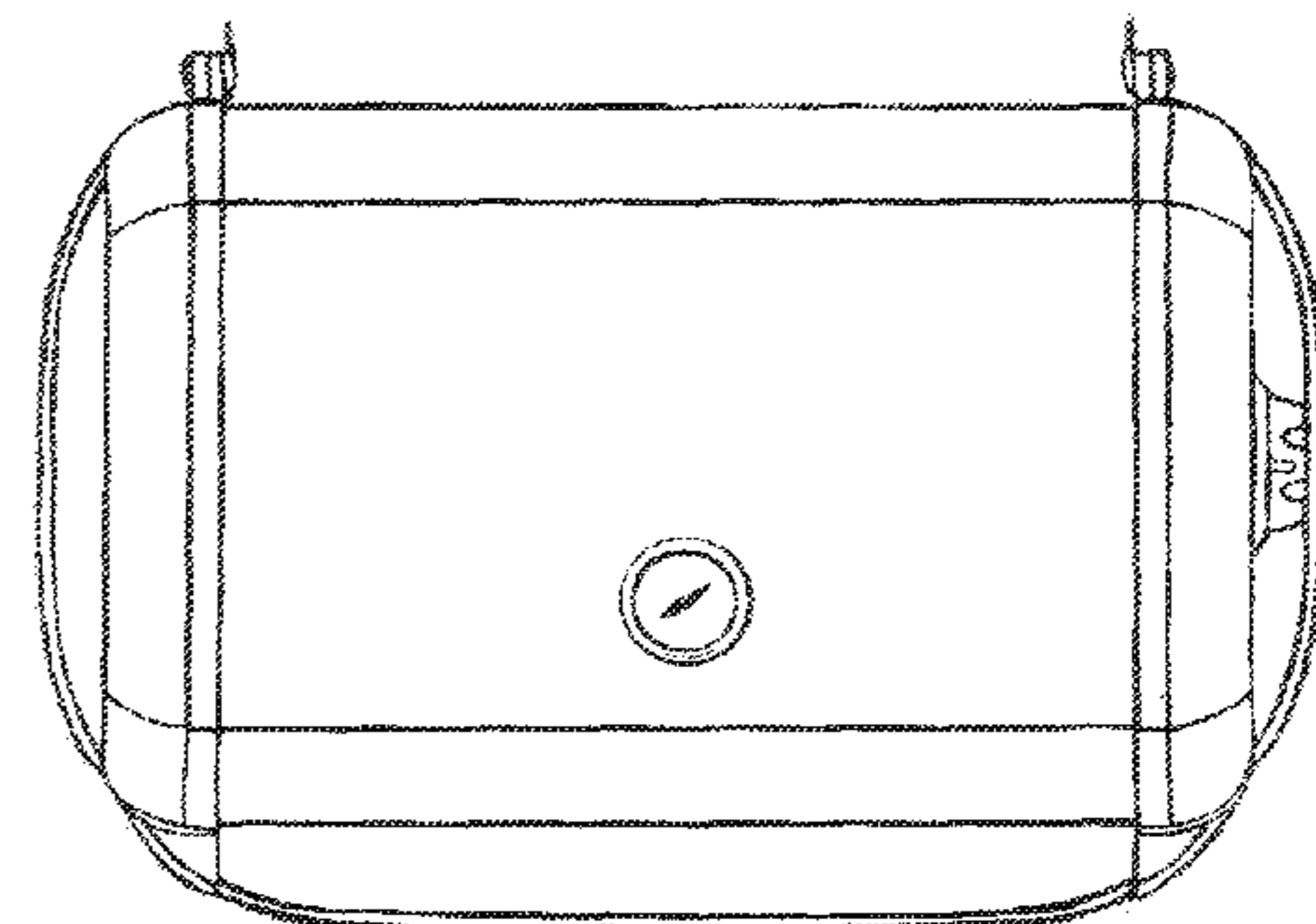
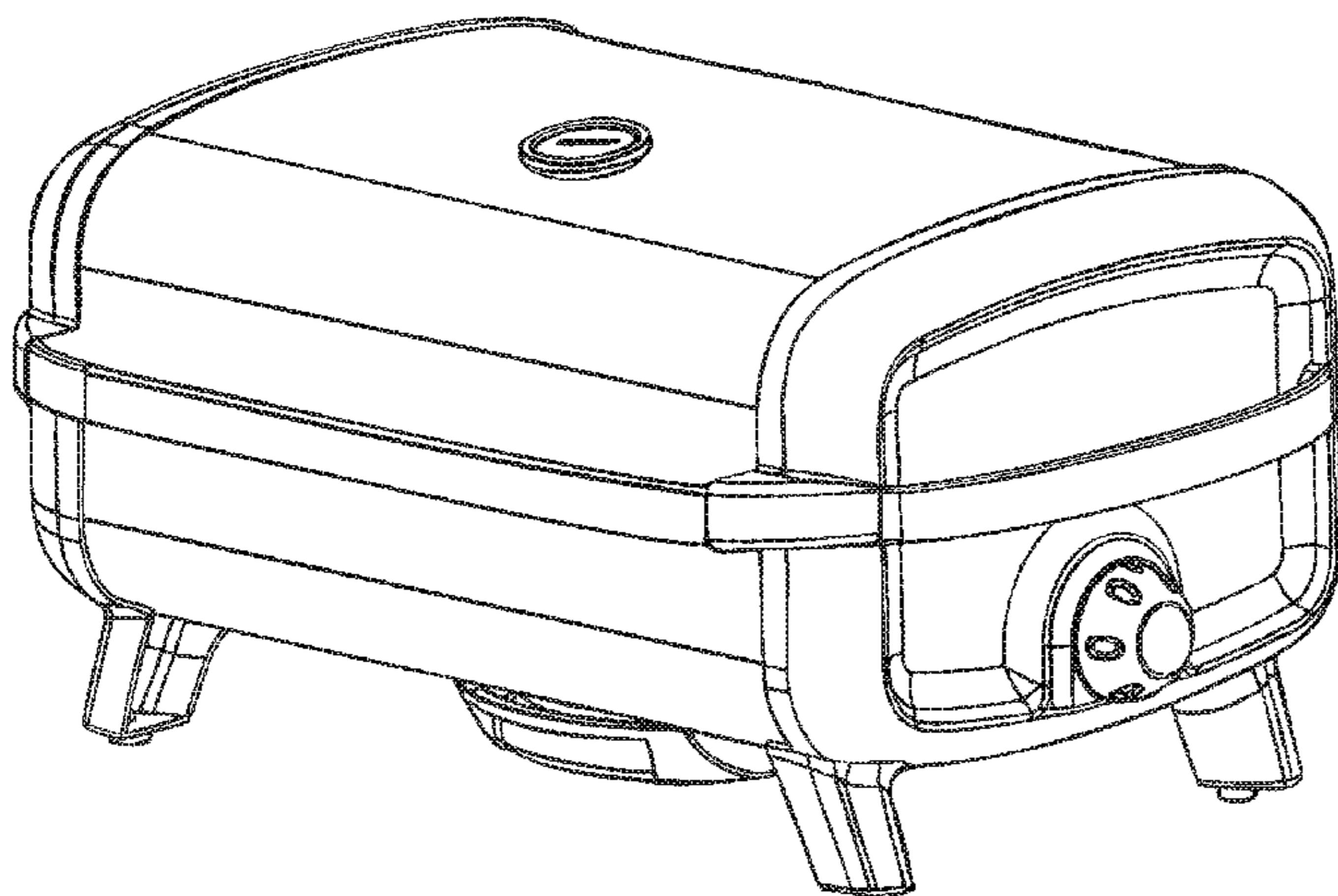
(57) **CLAIM**

We claim the ornamental design for a barbeque, as shown and described.

DESCRIPTION

FIG. 1 is a perspective view of the barbeque showing our new design in a closed condition with the lid closed on the base;
FIG. 2 is a front elevational view thereof;
FIG. 3 is a rear elevational view thereof;
FIG. 4 is a top plan view thereof;
FIG. 5 is a bottom plan view thereof;
FIG. 6 is a right side elevational view thereof;
FIG. 7 is a left side elevational view thereof; and,
FIG. 8 is perspective view of the barbeque in an open condition with the lid pivoted open from the base.

1 Claim, 5 Drawing Sheets



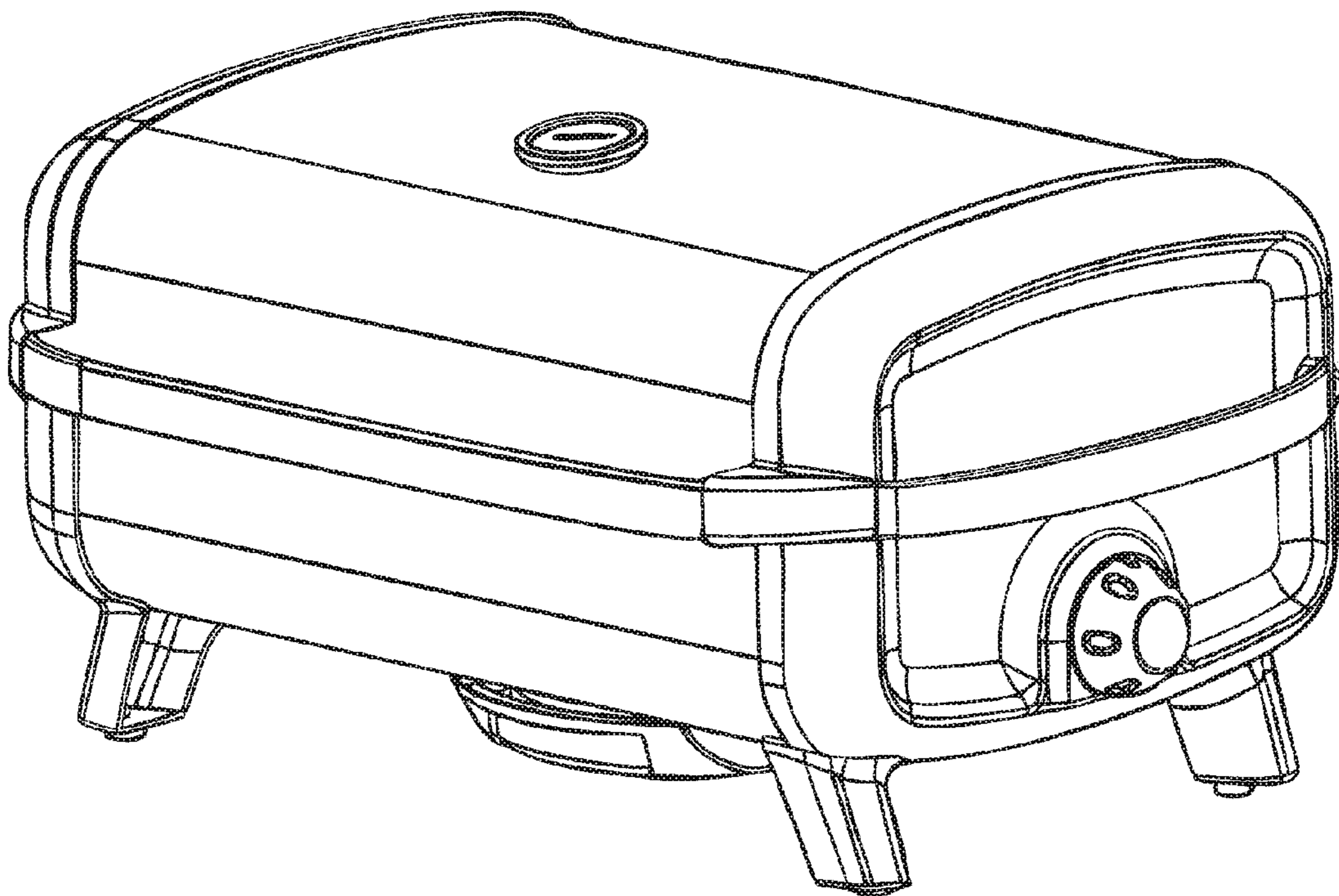


FIG.1

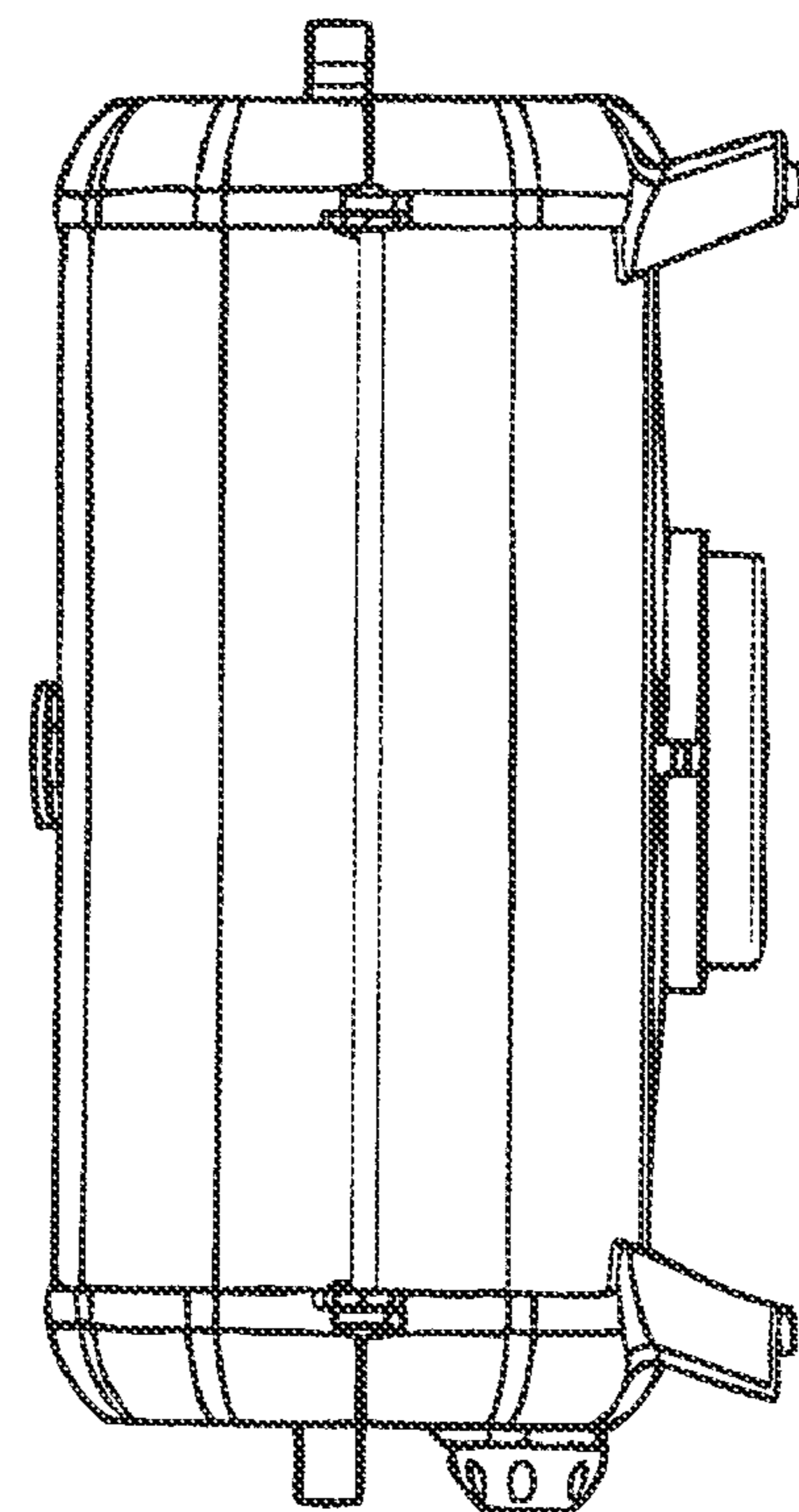


FIG.3

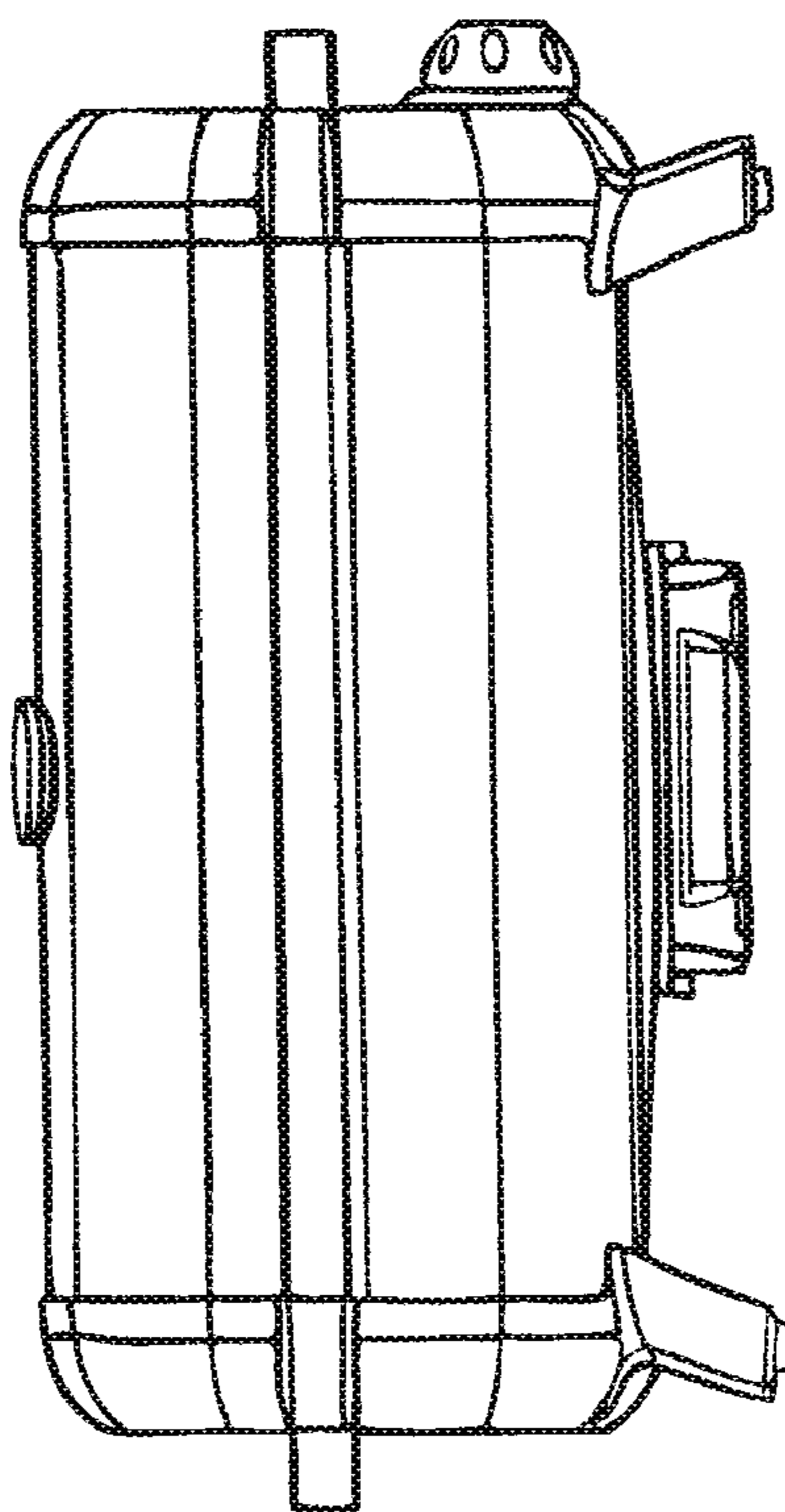


FIG.2

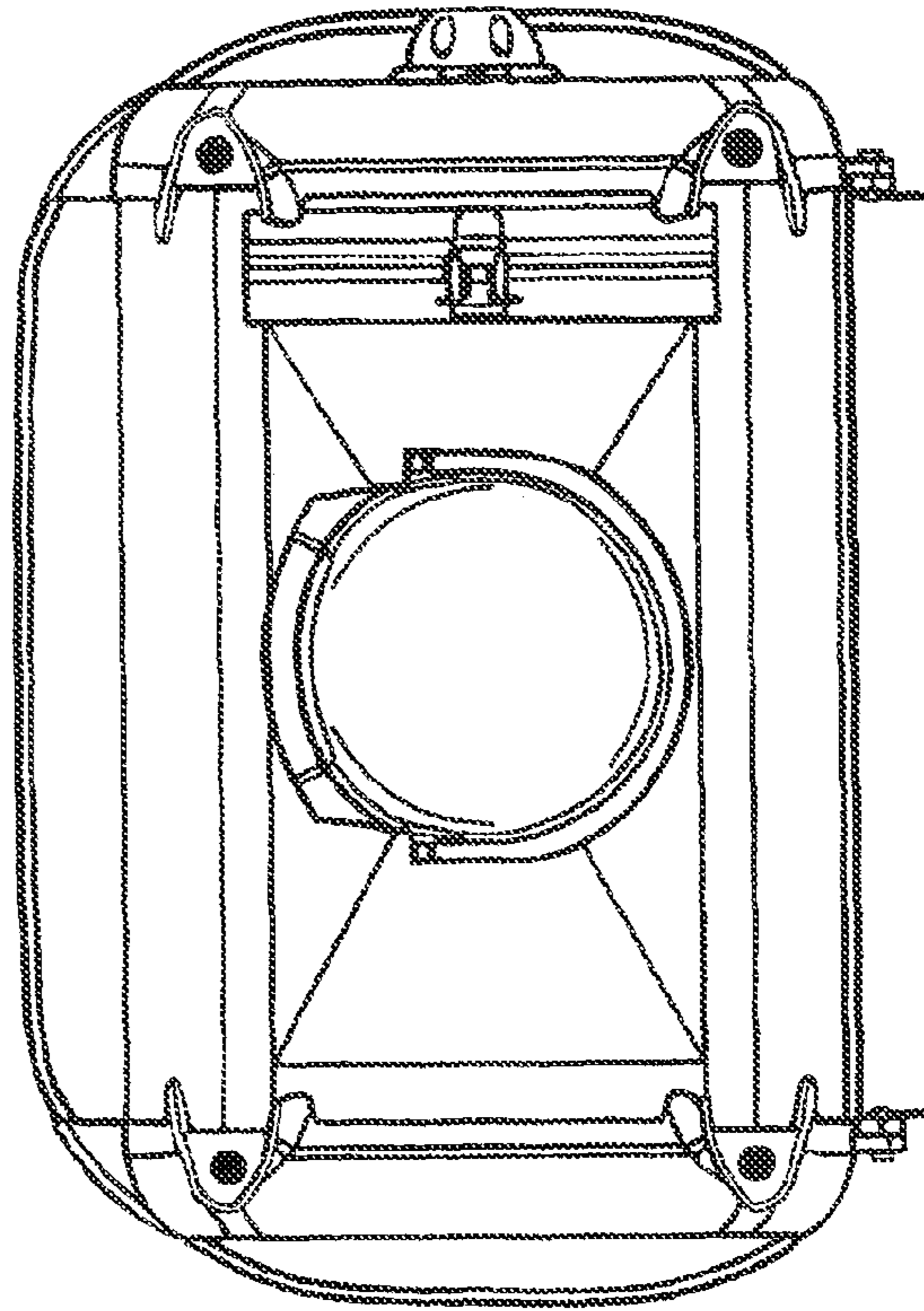


FIG.4

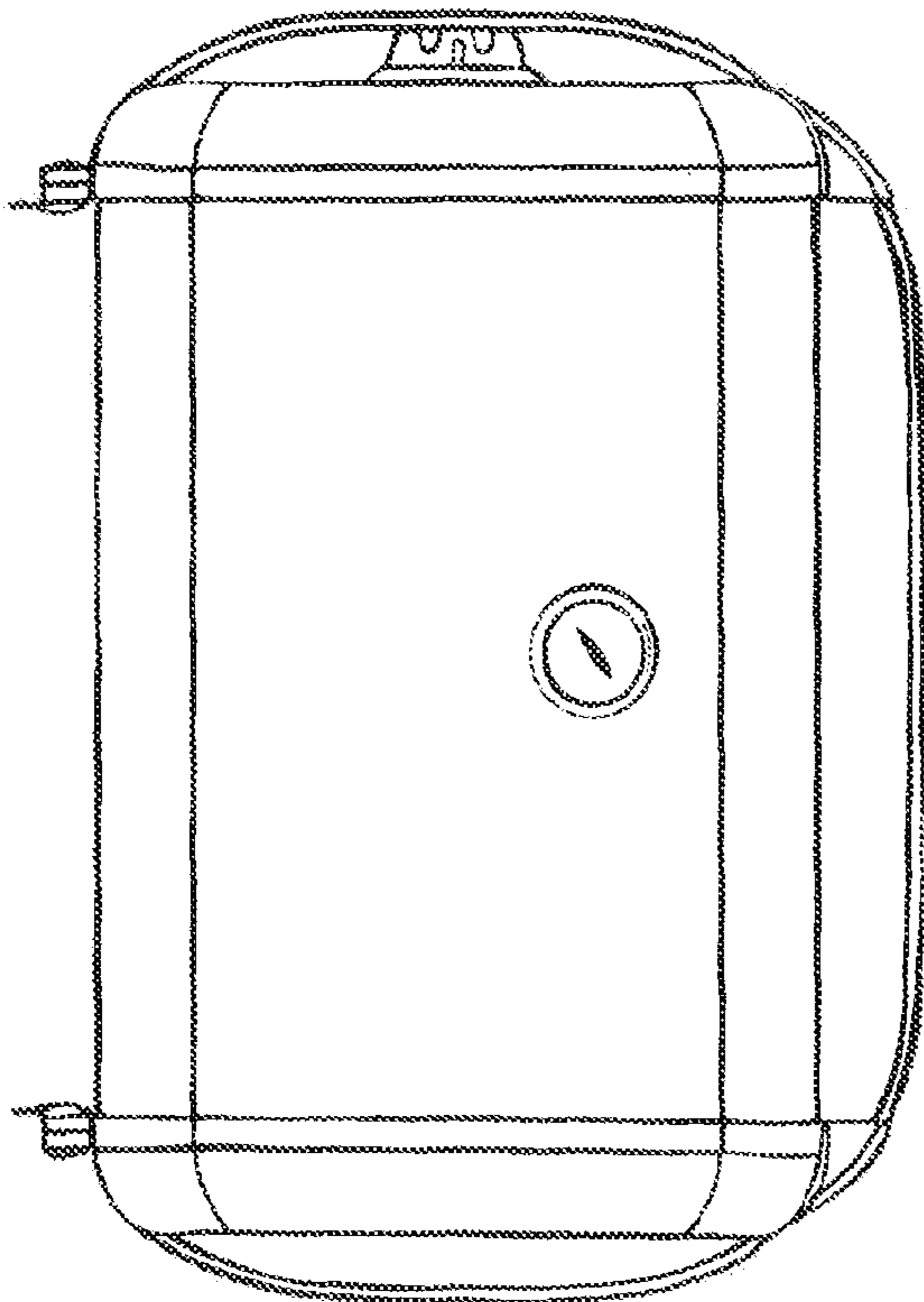


FIG.5

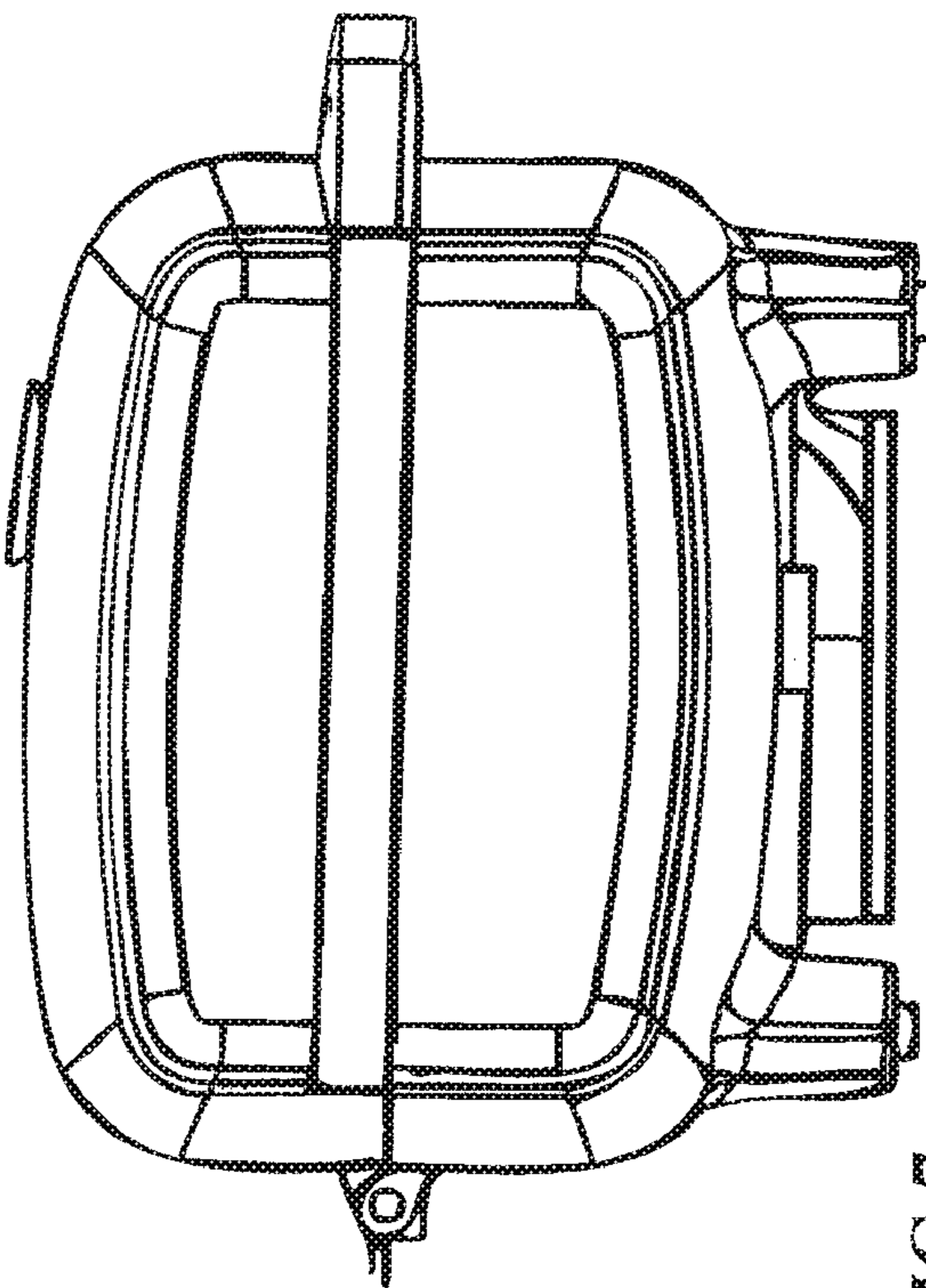


FIG.7

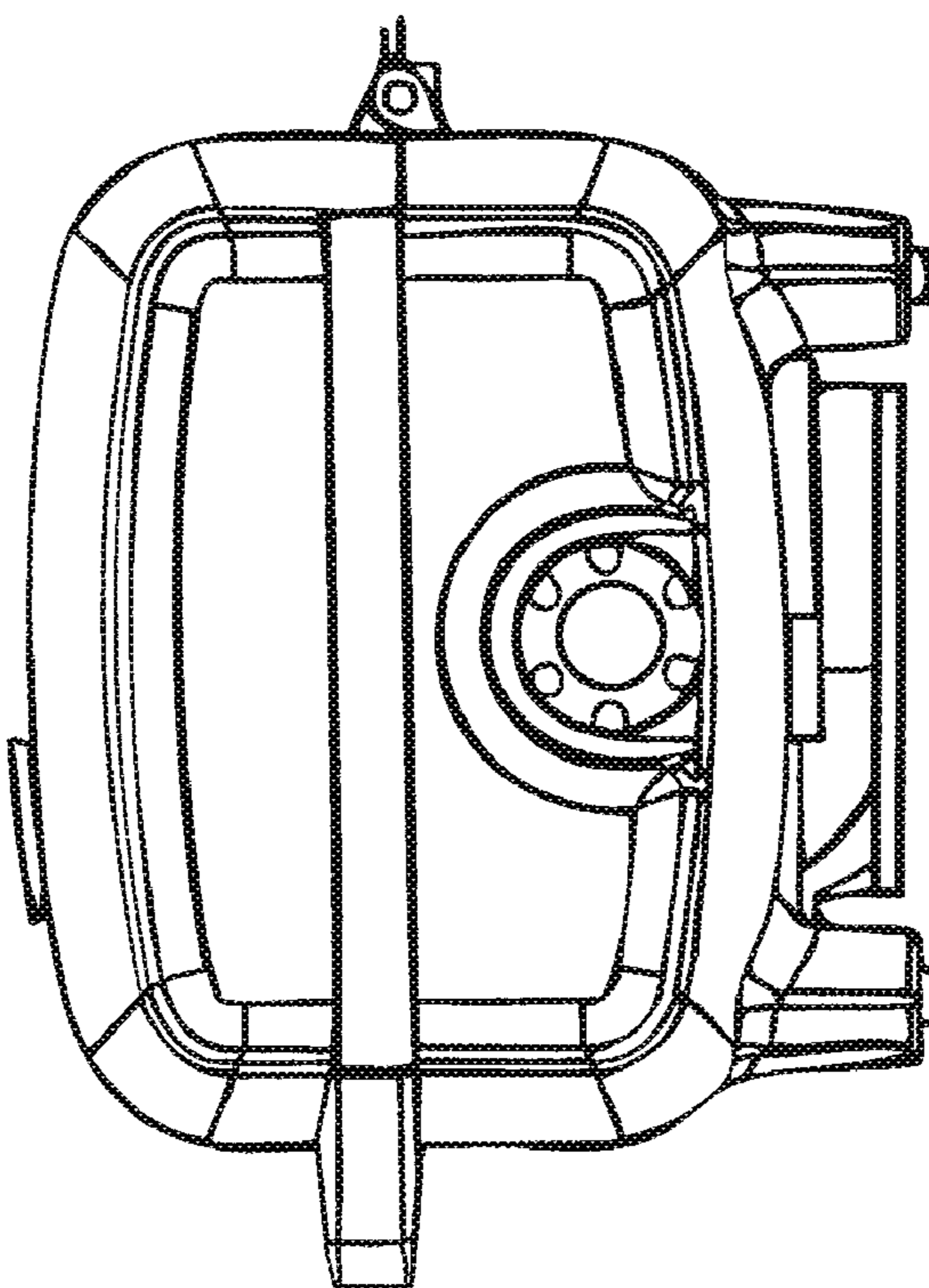


FIG.6

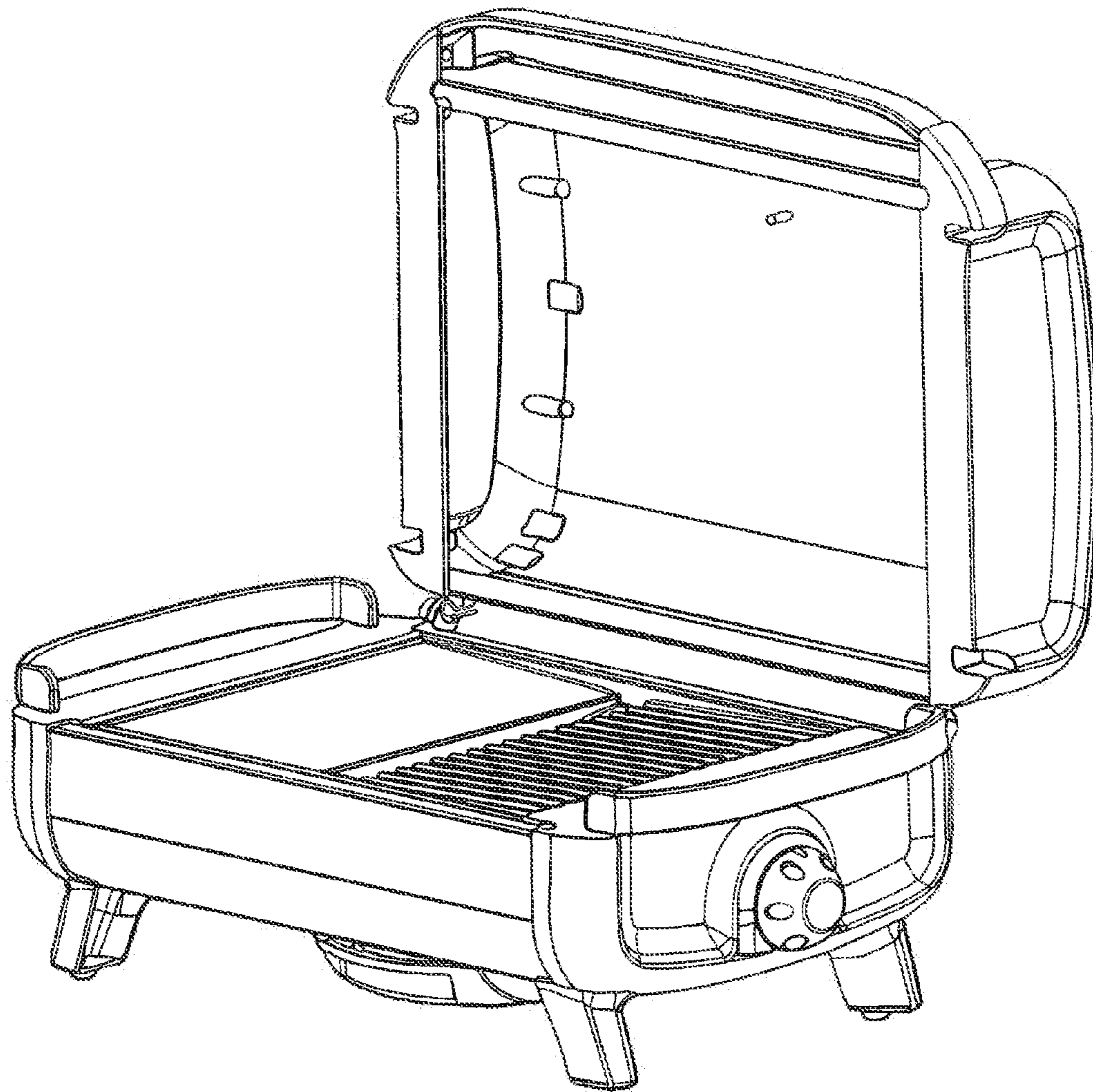


FIG.8