



US00D631682S

(12) **United States Design Patent**
Western

(10) **Patent No.:** **US D631,682 S**

(45) **Date of Patent:** **** Feb. 1, 2011**

(54) **OUTDOOR TOWEL RACK**

(76) Inventor: **Wayne Western**, 569 W. Athens, Clovis,
CA (US) 93611

(**) Term: **14 Years**

(21) Appl. No.: **29/355,096**

(22) Filed: **Feb. 2, 2010**

(51) **LOC (9) Cl.** **06-04**

(52) **U.S. Cl.** **D6/548**

(58) **Field of Classification Search** D6/518-524,
D6/546-550, 570; D8/300, 370, 315; 108/28-29;
211/13.1, 16, 85.5, 86.01, 87.01, 88.04, 100,
211/105.1, 105.2, 106, 113, 123, 181.1, 182-183;
248/49, 175, 176.1, 200, 201, 205.1, 251,
248/302, 309.1, 315; 242/570, 590, 595-598
See application file for complete search history.

(56) **References Cited**

U.S. PATENT DOCUMENTS

- D436,777 S * 1/2001 Walker D6/548
- D456,167 S * 4/2002 Harwanko D6/548
- D540,594 S * 4/2007 Hoernig D6/548

D599,600 S * 9/2009 Lam D6/548

* cited by examiner

Primary Examiner—Brian N Vinson

(74) *Attorney, Agent, or Firm*—QuickPatents, Inc.; Kevin Prince

(57) **CLAIM**

What is claimed is the ornamental design for an outdoor towel rack, as shown and described.

DESCRIPTION

FIG. 1 is a perspective view of an outdoor towel rack, showing the new design;

FIG. 2 is a front elevational view thereof;

FIG. 3 is a rear elevational view thereof;

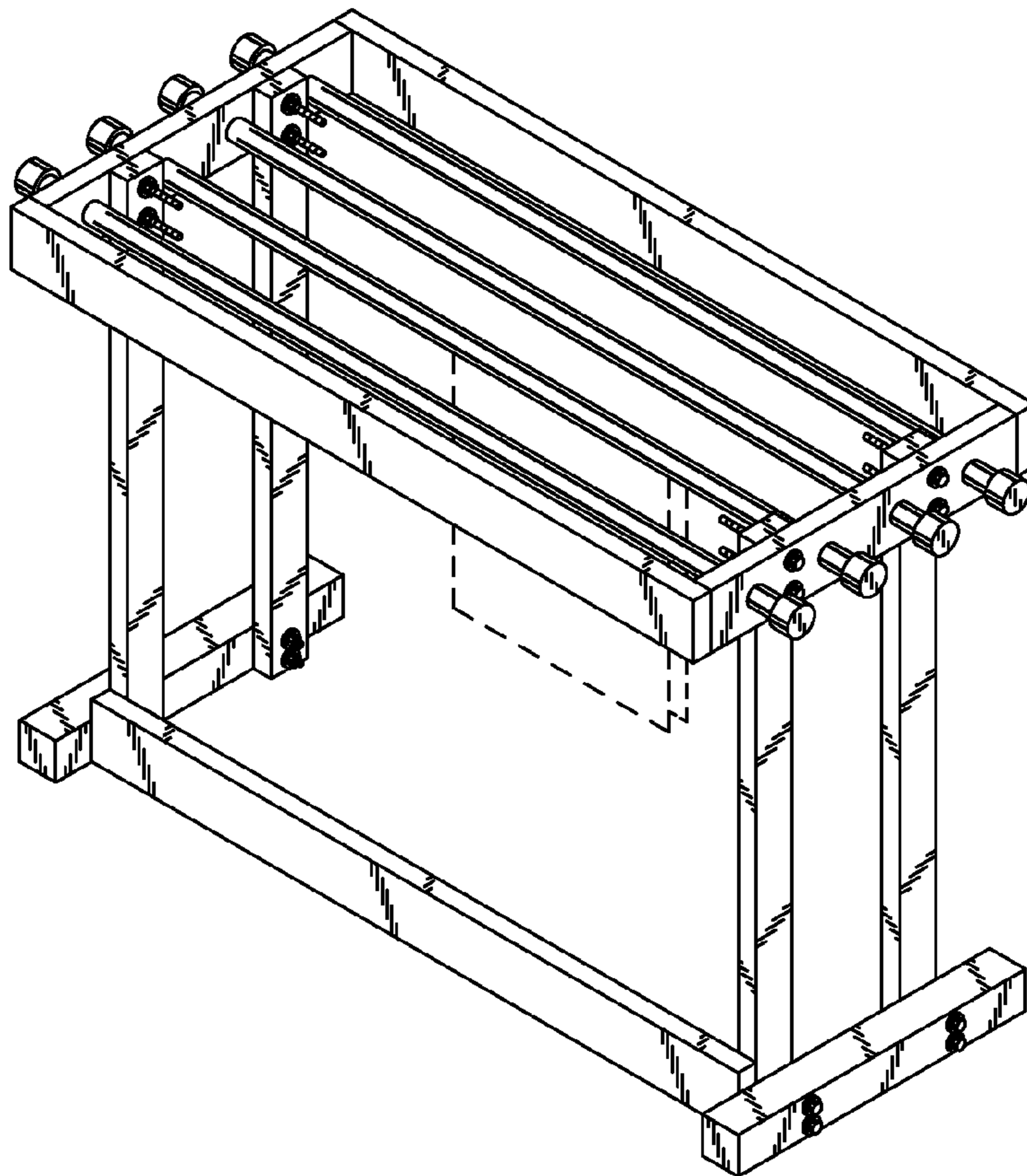
FIG. 4 is a left-side elevational view thereof, the right-side elevational view being a mirror image thereof;

FIG. 5 is a top plan view thereof; and,

FIG. 6 is a bottom plan view thereof.

The broken lines showing a towel in FIG. 1 are included for the purpose of illustrating the invention in use, and form no part of the claimed design.

1 Claim, 2 Drawing Sheets



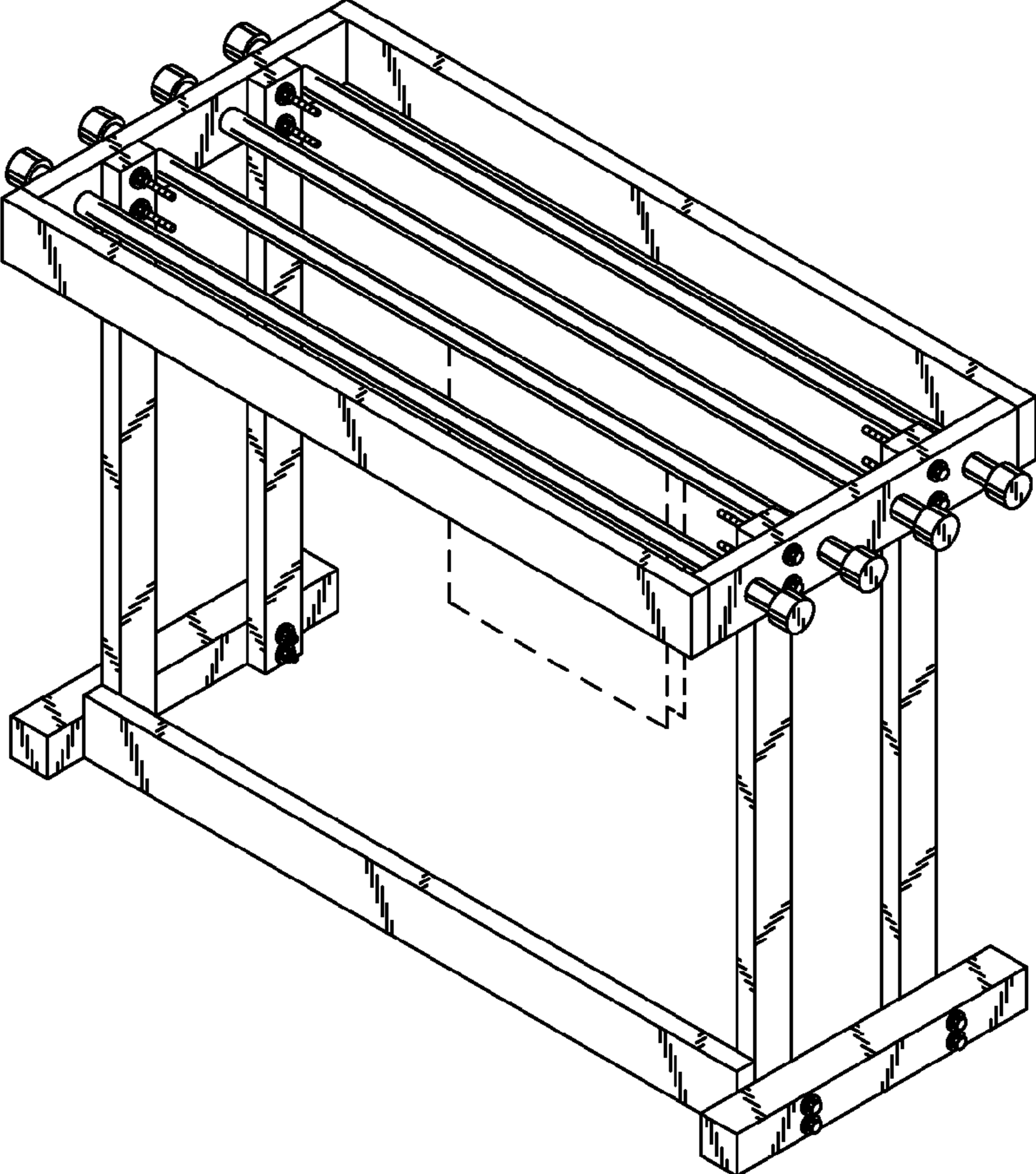


FIG. 1

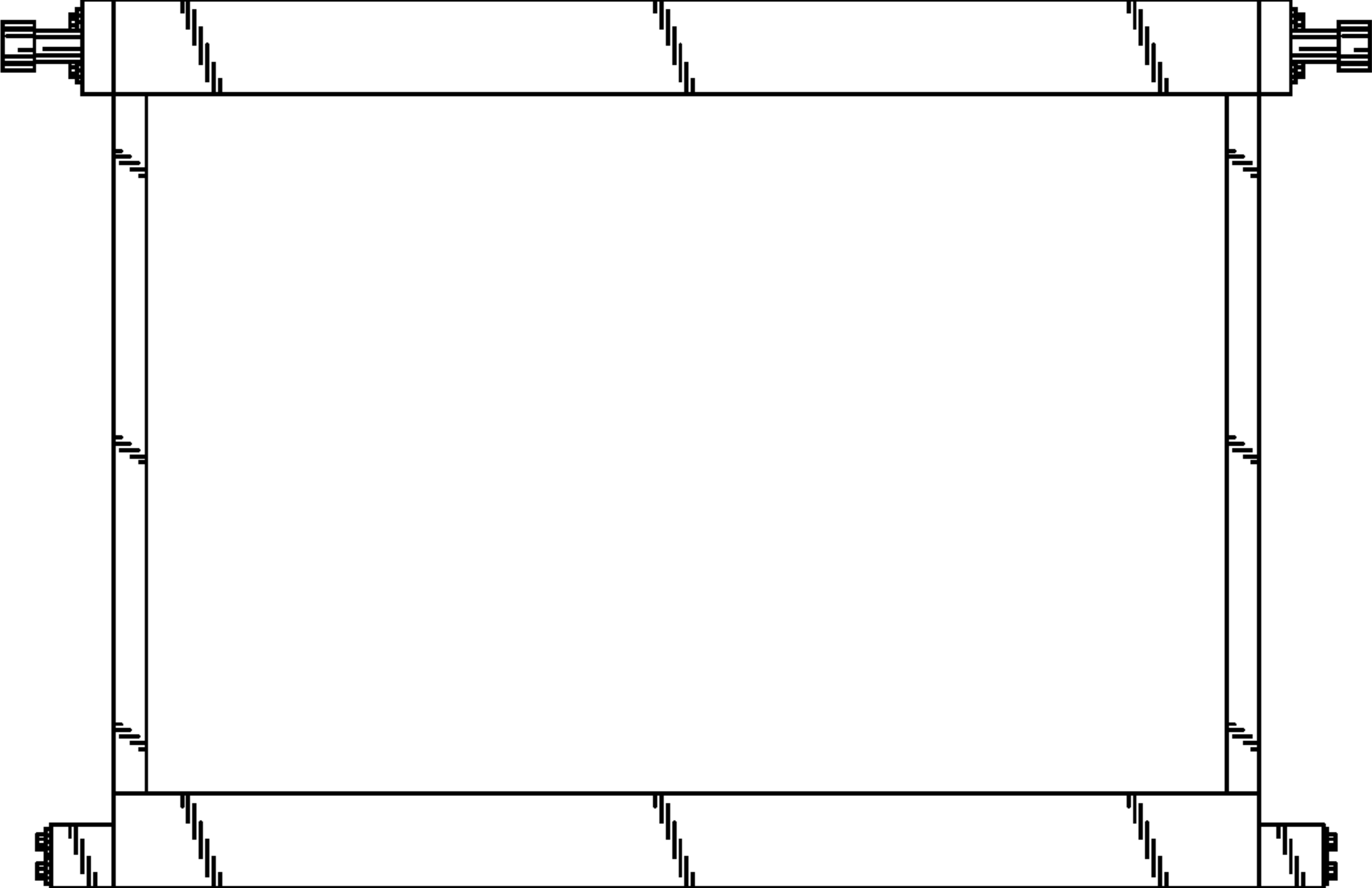


FIG. 2

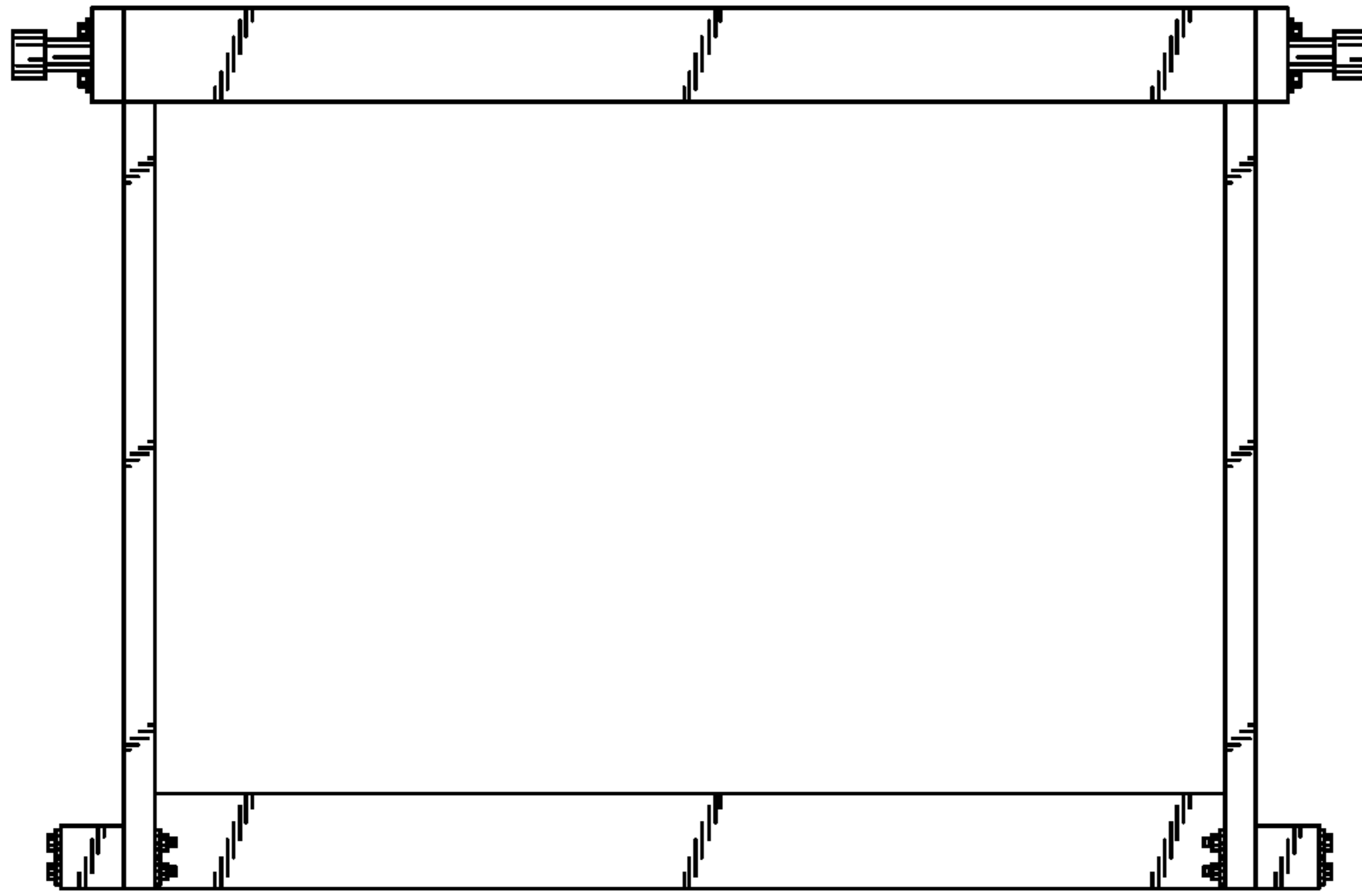


FIG. 3

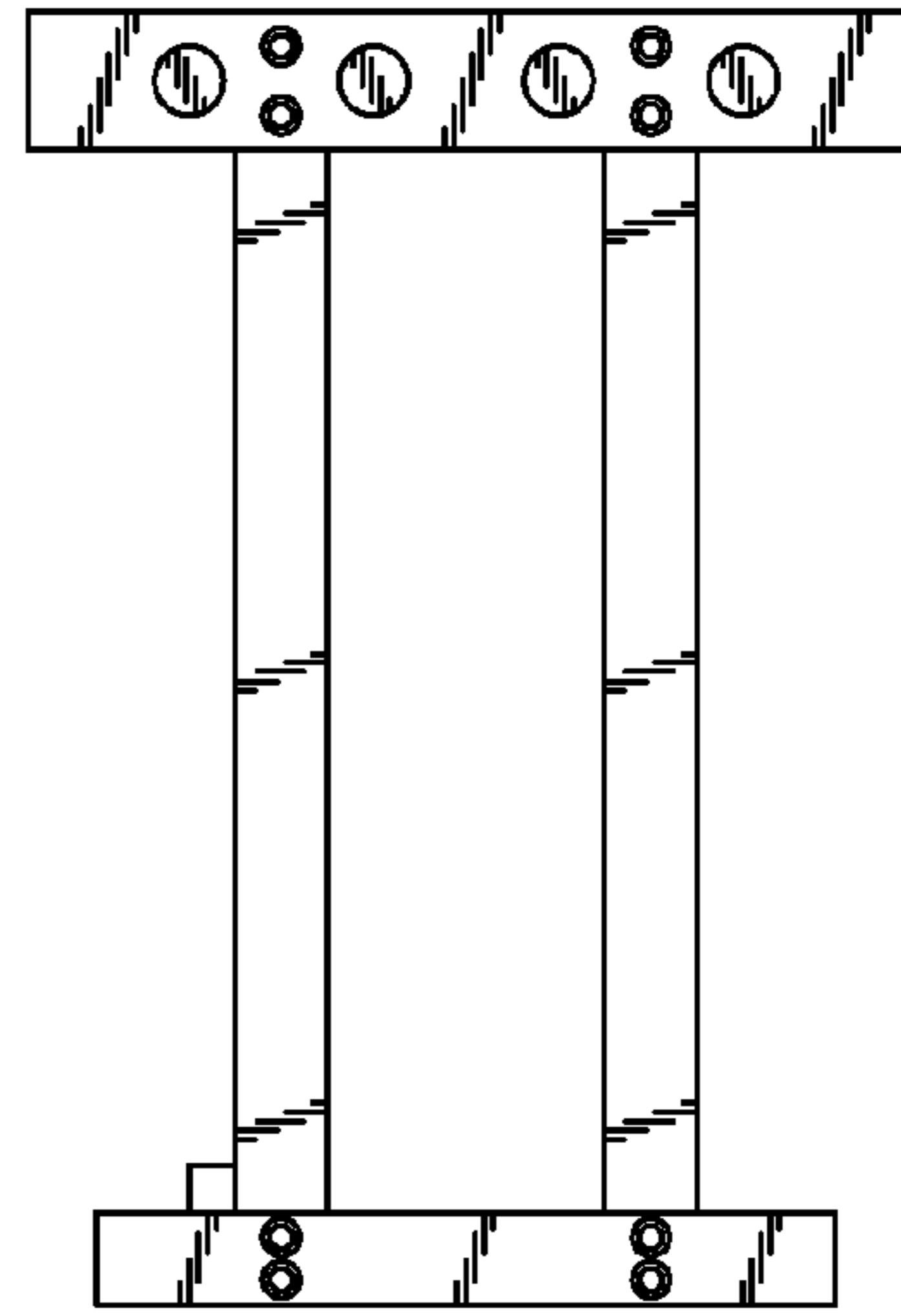


FIG. 4

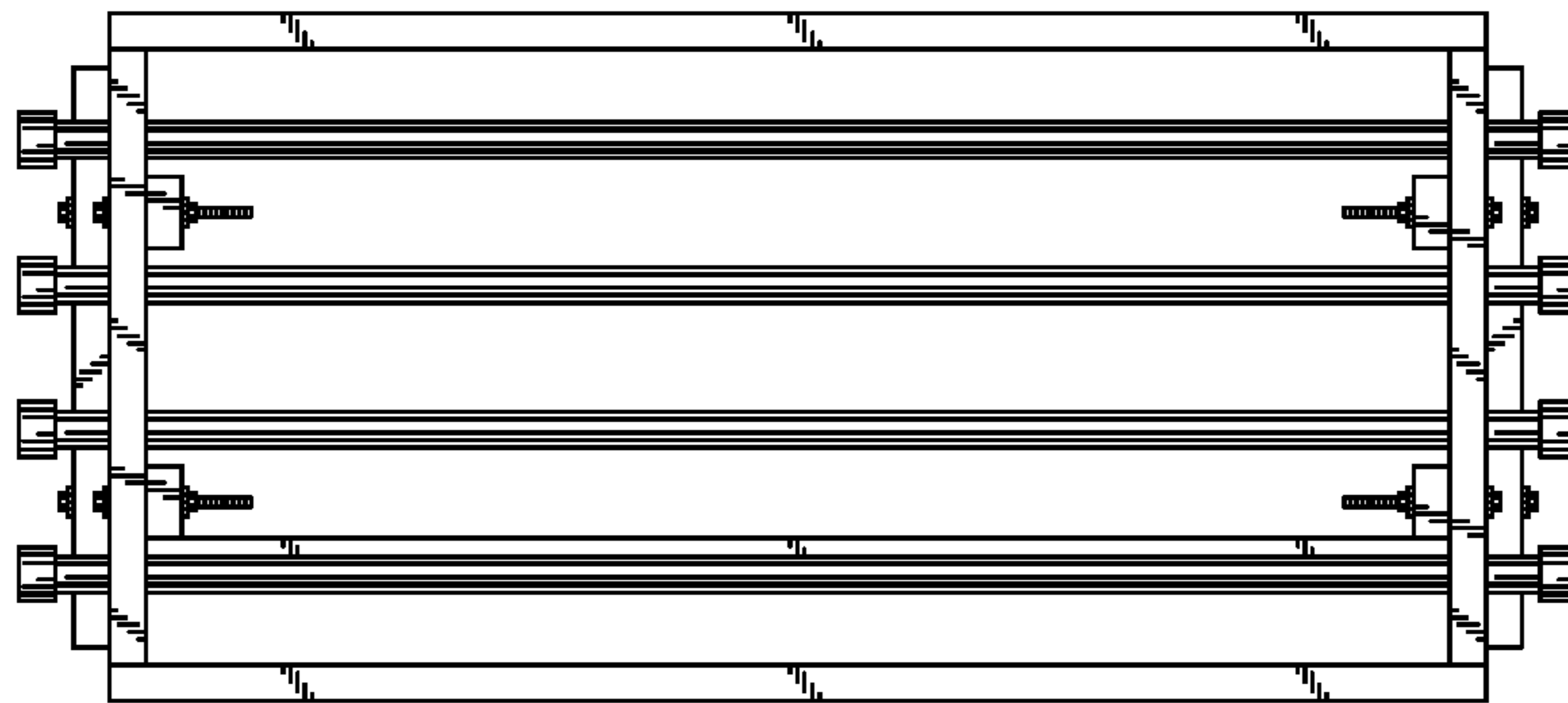


FIG. 5

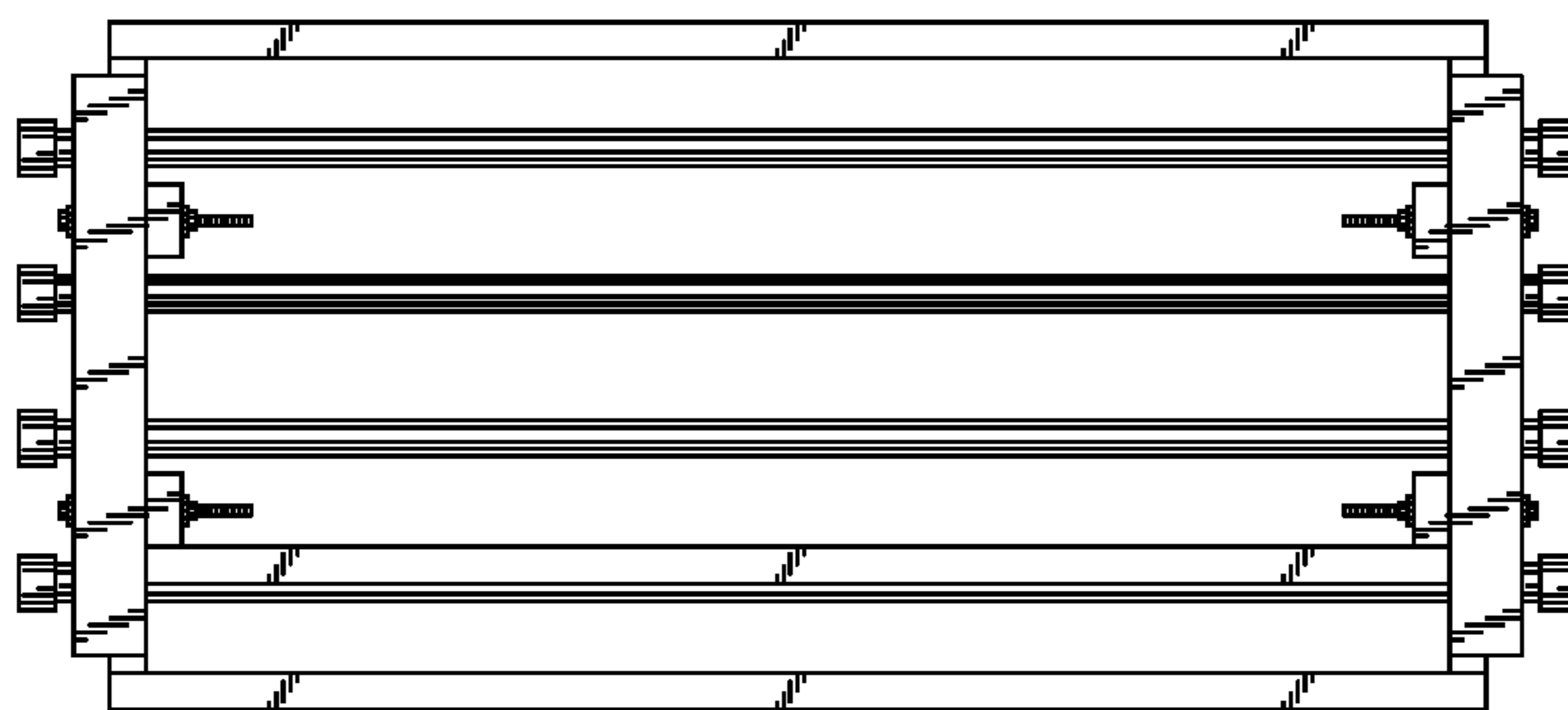


FIG. 6