



US00D631677S

(12) **United States Design Patent**
Caruso

(10) **Patent No.:** **US D631,677 S**

(45) **Date of Patent:** **** Feb. 1, 2011**

(54) **GARDENING SUPPORT**

(76) **Inventor:** **Steven Jerome Caruso**, 862 Pine Hill Dr., Antioch, IL (US) 60002

(**) **Term:** **14 Years**

(21) **Appl. No.:** **29/364,797**

(22) **Filed:** **Jun. 29, 2010**

Related U.S. Application Data

(60) Division of application No. 29/301,428, filed on Feb. 29, 2008, now Pat. No. Des. 597,762, which is a continuation-in-part of application No. 11/010,952, filed on Dec. 13, 2004, now Pat. No. 7,373,753, which is a continuation-in-part of application No. 10/264,495, filed on Oct. 4, 2002, now abandoned.

(51) **LOC (9) Cl.** **11-02**

(52) **U.S. Cl.** **D6/403; D11/156**

(58) **Field of Classification Search** D6/403-405, D6/556-558; D8/1; D11/143-156, 164; D19/77, 80, 81, 84; D25/100; D26/9-11, D26/16, 19; D34/1, 2, 4-6; D99/5, 19; 47/32.4, 47/32.5, 32.7, 33, 39, 41.01, 41.1, 41.11-41.15, 47/44-47, 65, 65.5, 65.9, 66.1, 66.2, 66.6, 47/66.7, 67-71

See application file for complete search history.

(56) **References Cited**

U.S. PATENT DOCUMENTS

880,042	A	*	2/1908	Rietmann	D11/156
D256,683	S	*	9/1980	Merritt	D11/156
D298,305	S	*	11/1988	Granger	D11/156
D413,261	S	*	8/1999	Yerich	D11/143
7,373,753	B1	*	5/2008	Caruso	47/39
D597,762	S	*	8/2009	Caruso	D6/405
D618,930	S	*	7/2010	Caruso	D6/405
2006/0191196	A1	*	8/2006	Cochran	47/66.1

* cited by examiner

Primary Examiner—Garth Rademaker

(57) **CLAIM**

The ornamental design for a gardening support, as shown and described.

DESCRIPTION

FIG. 1 is a top plan view of a gardening support showing the new design of the invention;

FIG. 2 is a front elevation view thereof;

FIG. 3 is a side elevation view thereof; and,

FIG. 4 is a perspective view thereof.

1 Claim, 2 Drawing Sheets

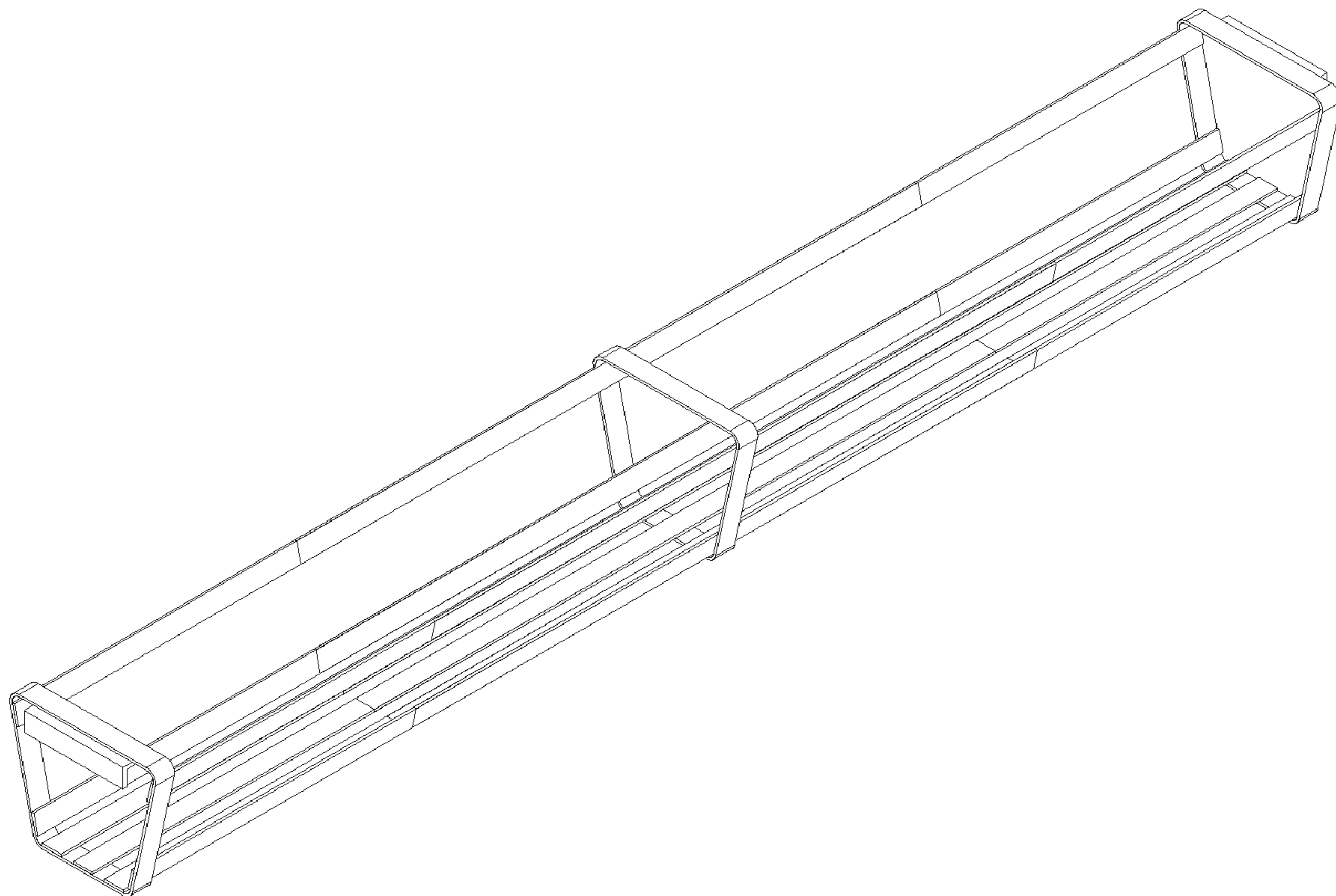


Figure 1

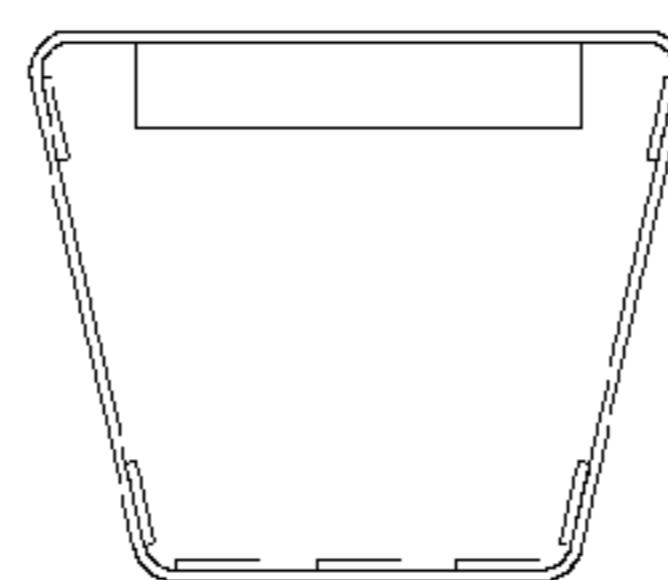
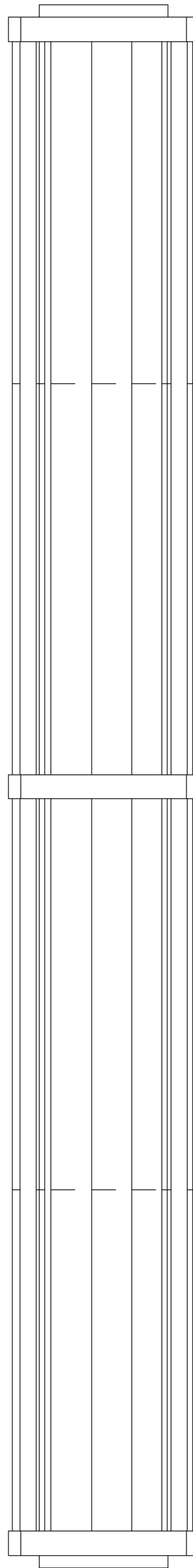


Figure 2

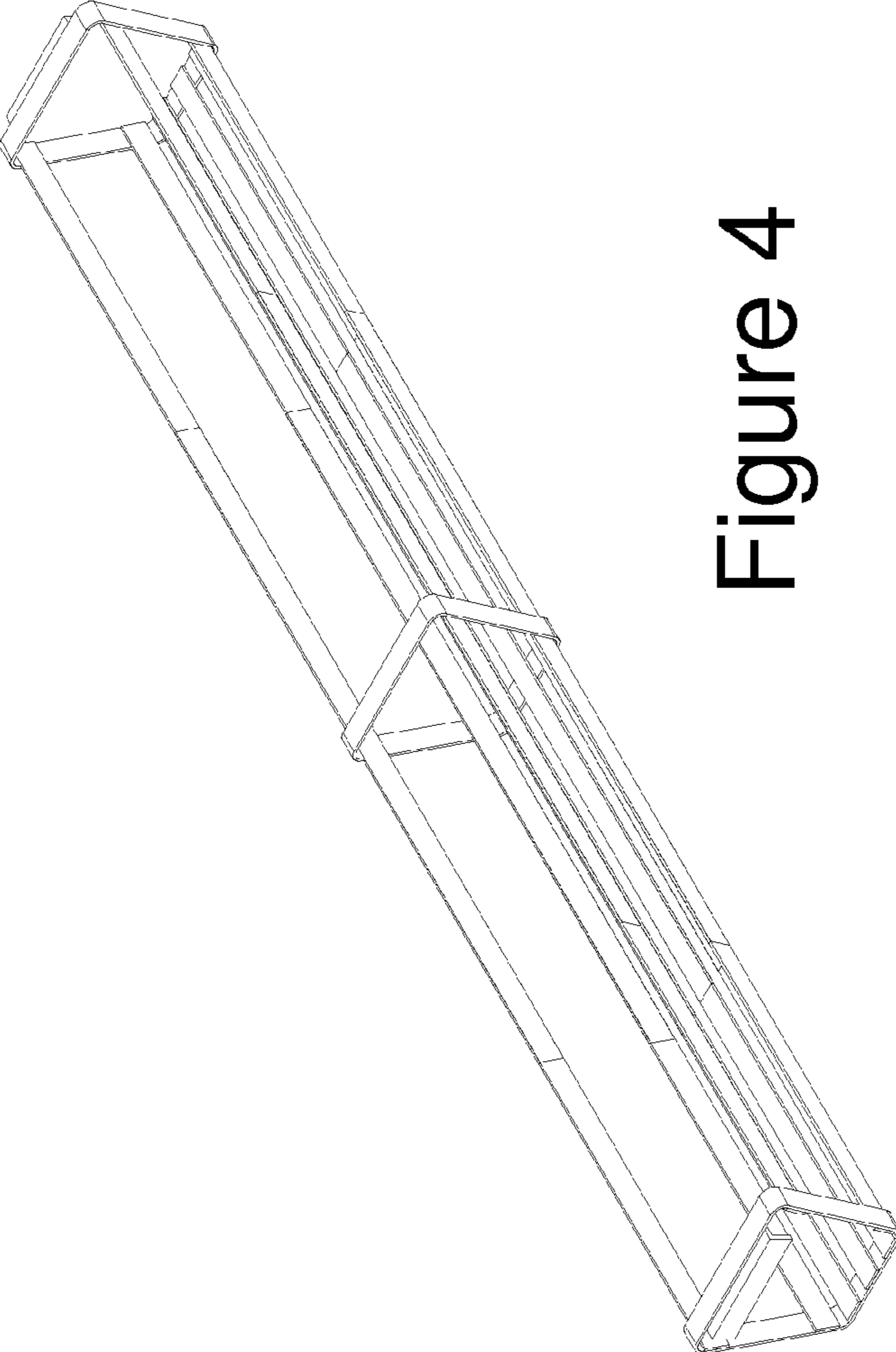


Figure 4

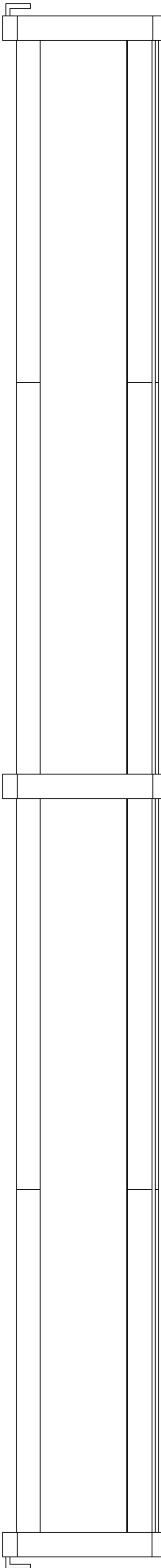


Figure 3