



US00D631676S

(12) **United States Design Patent**  
**Kruse**

(10) **Patent No.:** **US D631,676 S**

(45) **Date of Patent:** **\*\* Feb. 1, 2011**

(54) **SELF-CHECKOUT SYSTEM**

(75) Inventor: **Bernd Kruse**, Altenbeken (DE)

(73) Assignee: **Wincor Nixdorf International GmbH**  
(DE)

(\*\*) Term: **14 Years**

(21) Appl. No.: **29/312,056**

(22) Filed: **Sep. 26, 2008**

(30) **Foreign Application Priority Data**

Mar. 26, 2008 (EM) ..... 000902101

(51) **LOC (9) Cl.** ..... **06-03**

(52) **U.S. Cl.** ..... **D6/402**

(58) **Field of Classification Search** ..... D6/402,  
D6/396-397, 436, 470; D18/4.1-4.6, 3.1-3.3;  
186/59, 61, 68; 235/1 E, 6, 7 R, 50 A, 50 B,  
235/52, 379, 386, 380, 381, 53; 221/129-130;  
194/206, 217, 350; 312/140.1

See application file for complete search history.

(56) **References Cited**

U.S. PATENT DOCUMENTS

D449,726 S \* 10/2001 Lin ..... D99/28

D530,880 S \* 10/2006 Magee et al. .... D99/28

D536,192 S \* 2/2007 Kruse et al. .... D6/402

D540,004 S \* 4/2007 Kang et al. .... D99/28

D558,481 S \* 1/2008 Dias ..... D6/402

D586,579 S \* 2/2009 Hunayama et al. .... D6/402

D590,626 S \* 4/2009 Sato ..... D6/402

\* cited by examiner

*Primary Examiner*—Caron Veynar

*Assistant Examiner*—Abraham Bahta

(74) *Attorney, Agent, or Firm*—Harness, Dickey & Pierce,  
P.L.C.

(57) **CLAIM**

The ornamental design for a self-checkout system, as shown  
and described.

**DESCRIPTION**

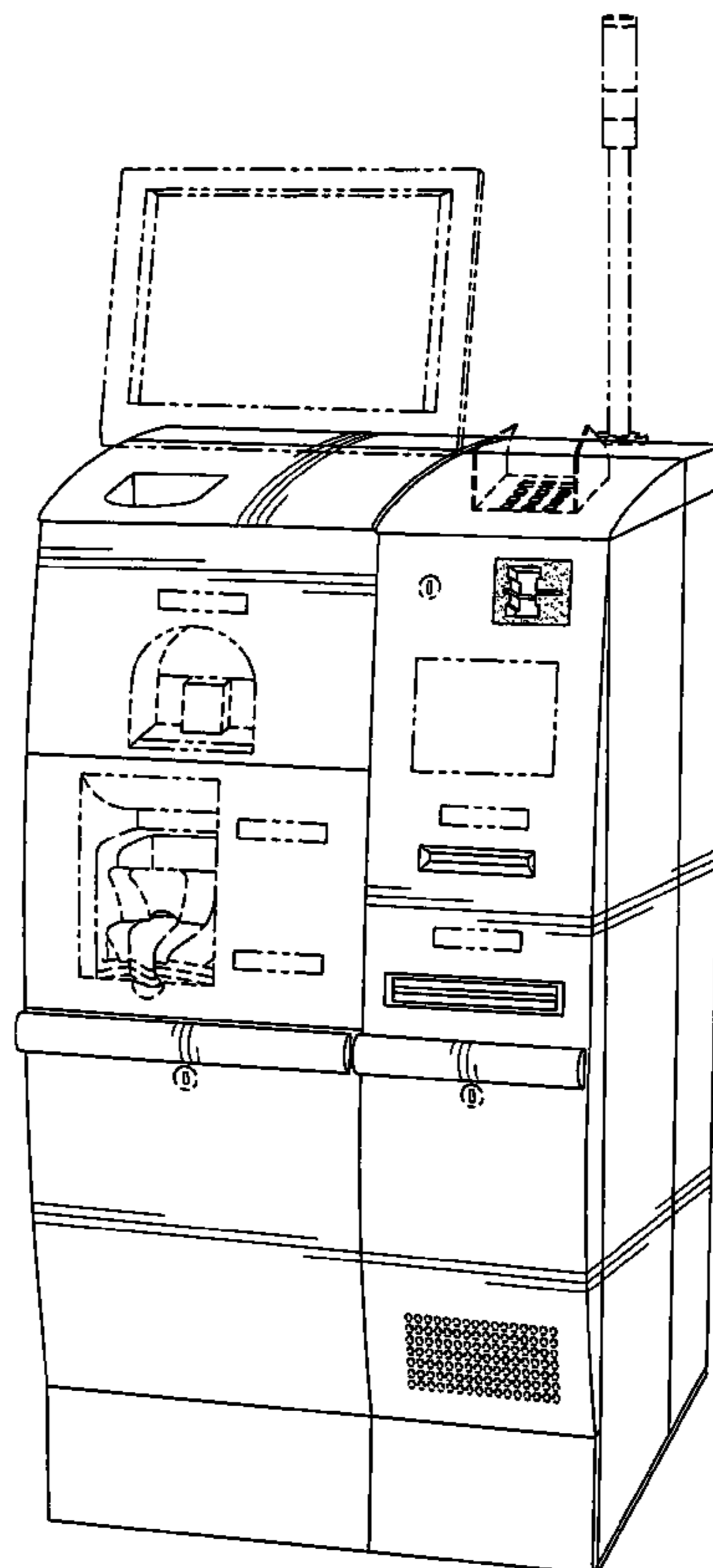
FIG. 1 is a front, top and right side perspective view of a  
self-checkout system showing my new design;

FIG. 2 is a front view thereof; and,

FIG. 3 is a right side view thereof.

The left side, bottom and rear views of the self-checkout  
system are non-ornamental and have not been claimed. The  
broken lines shown in the drawings are for illustrative pur-  
poses only and form no part of the claimed design.

**1 Claim, 3 Drawing Sheets**



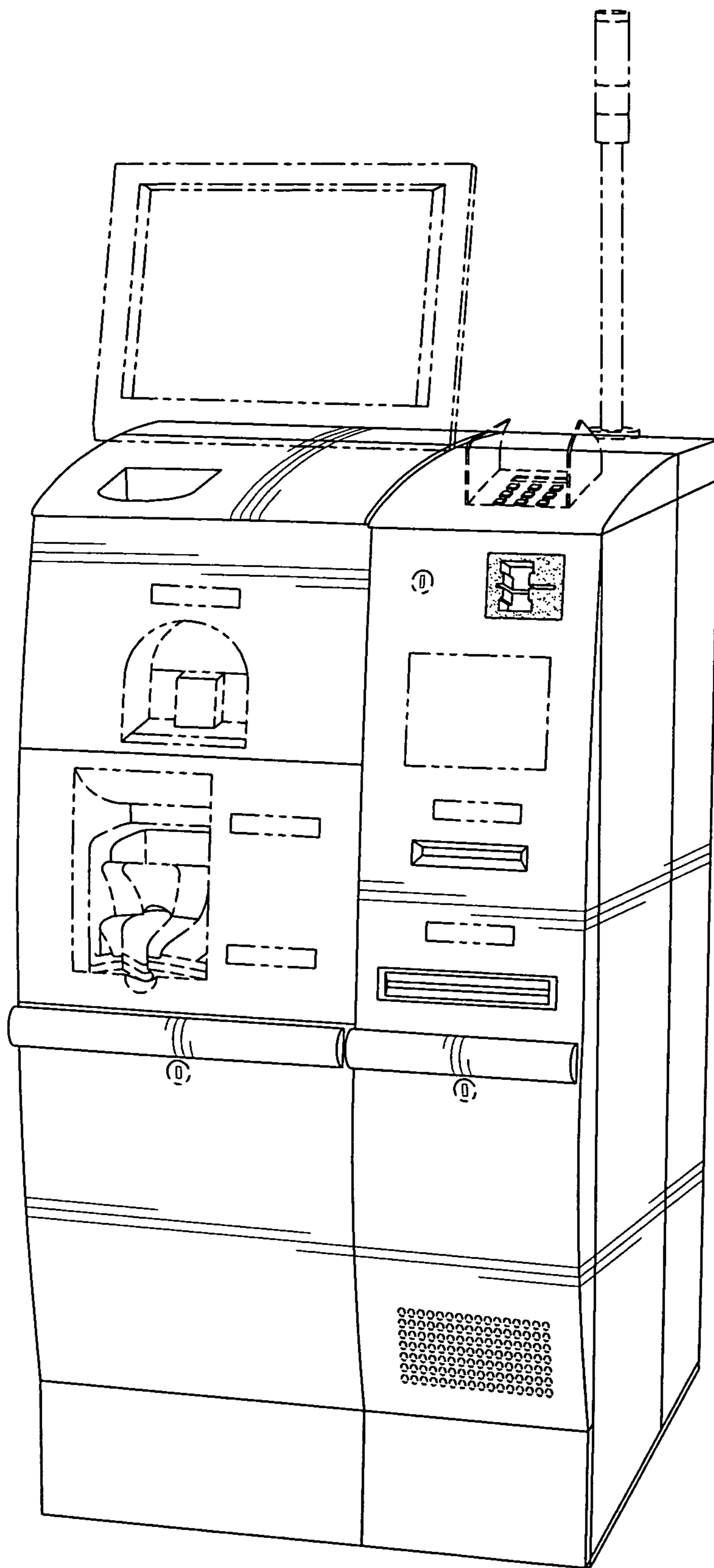


Fig-1

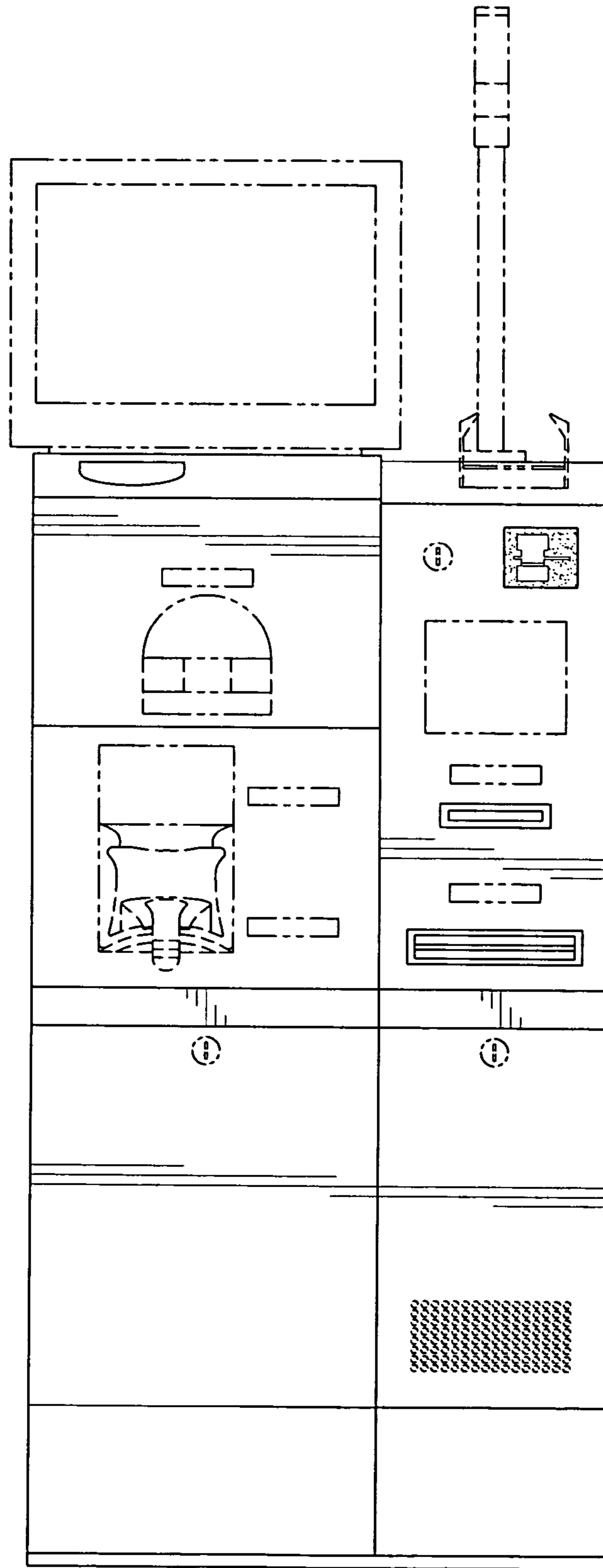


Fig-2

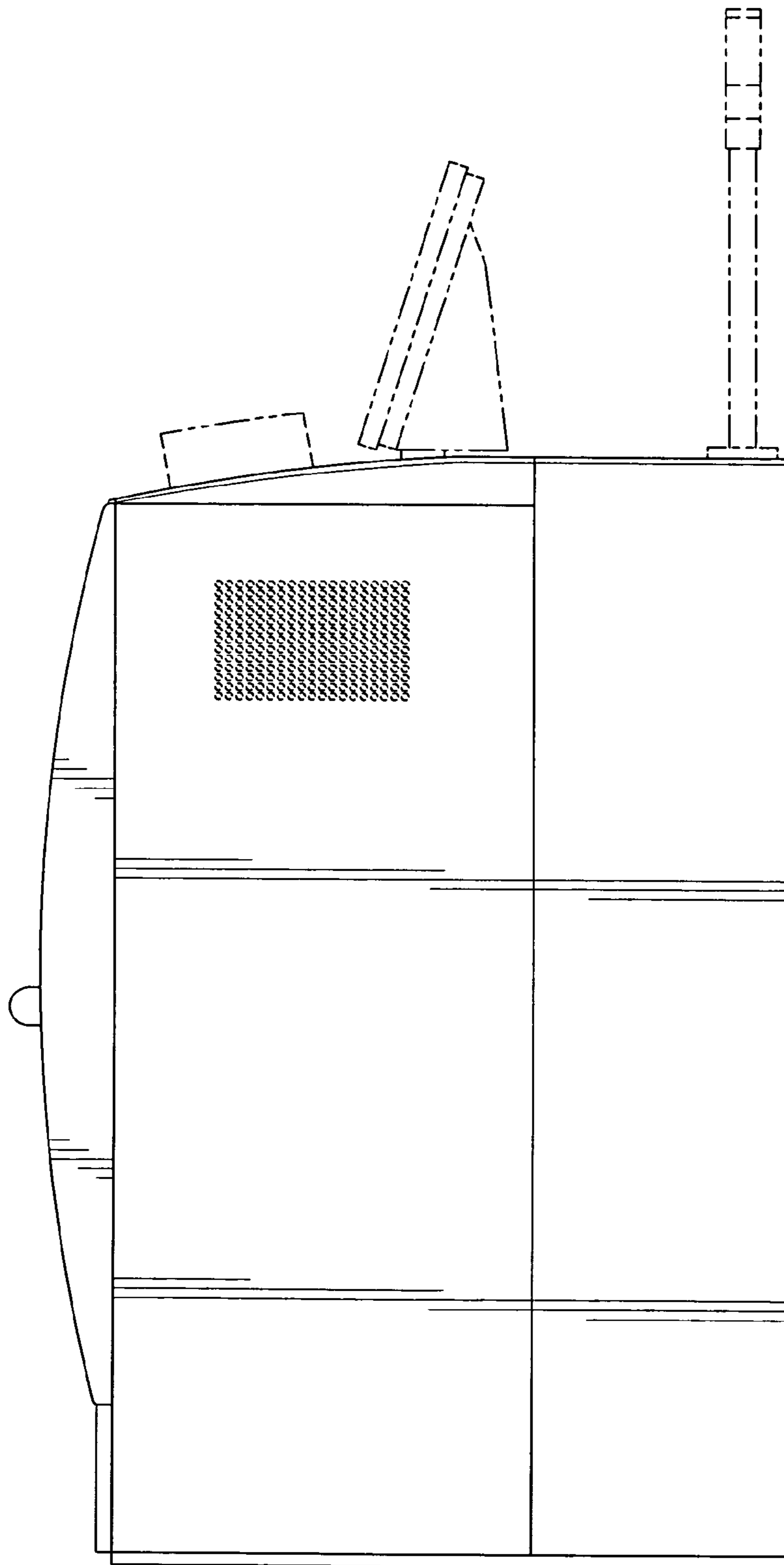


Fig-3