



US00D631675S

(12) **United States Design Patent**  
**Russler**

(10) **Patent No.:** **US D631,675 S**

(45) **Date of Patent:** **\*\* Feb. 1, 2011**

(54) **DESK**

(75) Inventor: **Meike Russler**, Kiel (DE)

(73) Assignee: **CINNA** (FR)

(\*\*) Term: **14 Years**

(21) Appl. No.: **29/340,263**

(22) Filed: **Jul. 15, 2009**

(30) **Foreign Application Priority Data**

Jan. 16, 2009 (EP) ..... DM/071 383

(51) **LOC (9) Cl.** ..... **06-03**

(52) **U.S. Cl.** ..... **D6/399; D6/484**

(58) **Field of Classification Search** ..... D6/480-489,  
D6/511, 495-499, 429-431, 421, 399, 422,  
D6/426; 108/150, 152, 153.1, 157.1, 161;  
248/188, 188.1, 188.7, 188.8

See application file for complete search history.

(56) **References Cited**

**U.S. PATENT DOCUMENTS**

D208,709 S	*	9/1967	Barecki	.....	D6/397
D239,350 S	*	3/1976	Vogt	.....	D6/426
D250,362 S	*	11/1978	Williams	.....	D26/58
D252,820 S	*	9/1979	Olson	.....	D24/234
D286,832 S	*	11/1986	Matthews et al.	.....	D6/425
D303,464 S	*	9/1989	Holl	.....	D6/426
D546,503 S	*	7/2007	Kreiss	.....	D6/422

\* cited by examiner

*Primary Examiner*—Janice E Seeger

(74) *Attorney, Agent, or Firm*—Cantor Colburn LLP

(57) **CLAIM**

I claim, the ornamental design for a desk, as shown and described.

**DESCRIPTION**

FIG. 1 is a front perspective view of a desk, showing my new design;

FIG. 2 is a front view thereof;

FIG. 3 is a side view thereof, the opposite side being a mirror image;

FIG. 4 is a top view showing the desk of FIG. 1 in an alternate configuration;

FIG. 5 is a front perspective view of the desk of FIG. 1 in an alternate configuration;

FIG. 6 is a rear perspective view of the desk of FIG. 1 in an alternate configuration;

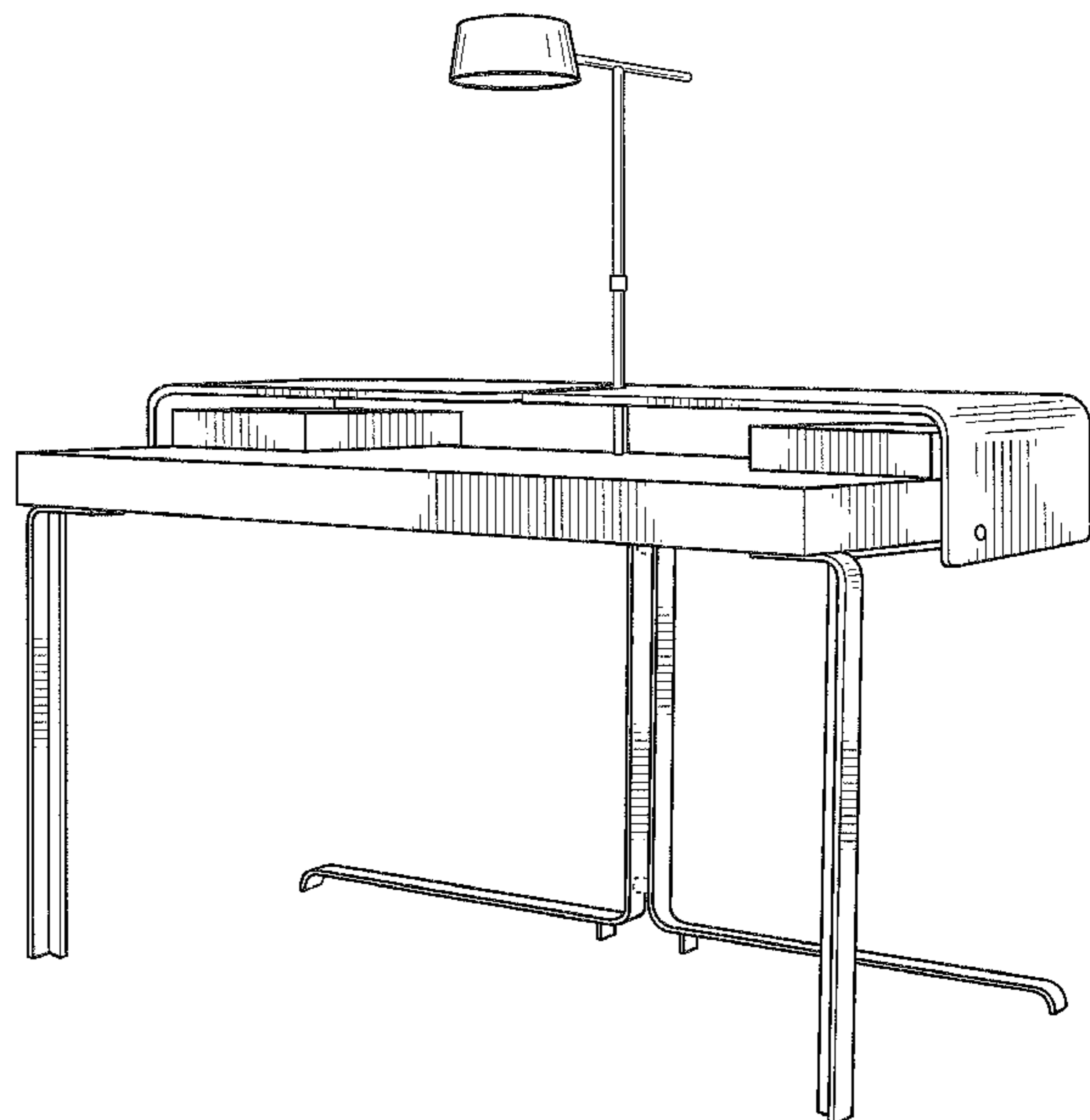
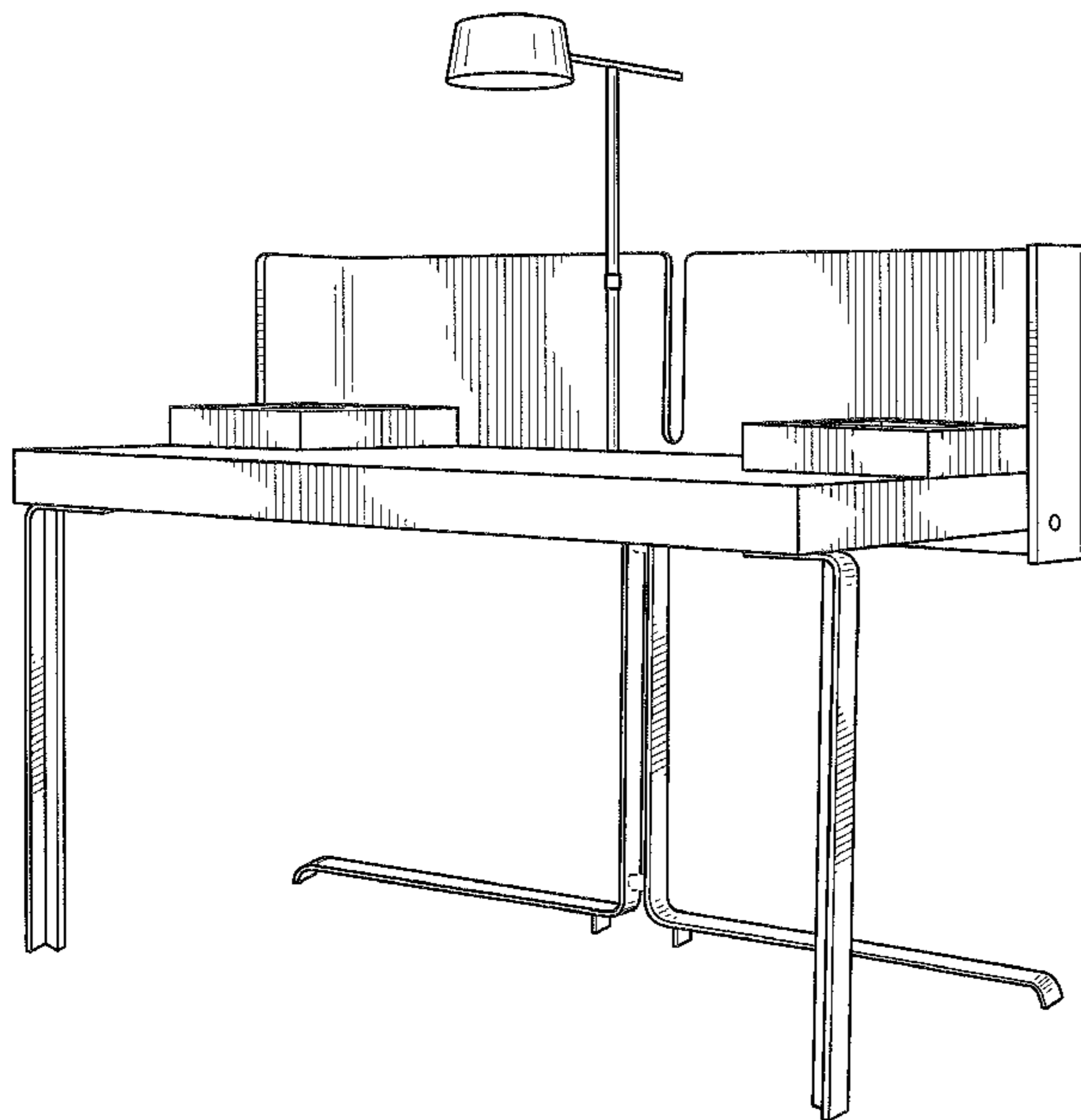
FIG. 7 is a front view of the desk of FIG. 1 in an alternate configuration;

FIG. 8 is a side view of the desk of FIG. 1 in an alternate configuration, the opposite side view being a mirror image; and,

FIG. 9 is a rear view of the desk of FIG. 1 in an alternate configuration.

The broken lines are for environmental purposes only and form no part of the claimed design.

**1 Claim, 9 Drawing Sheets**



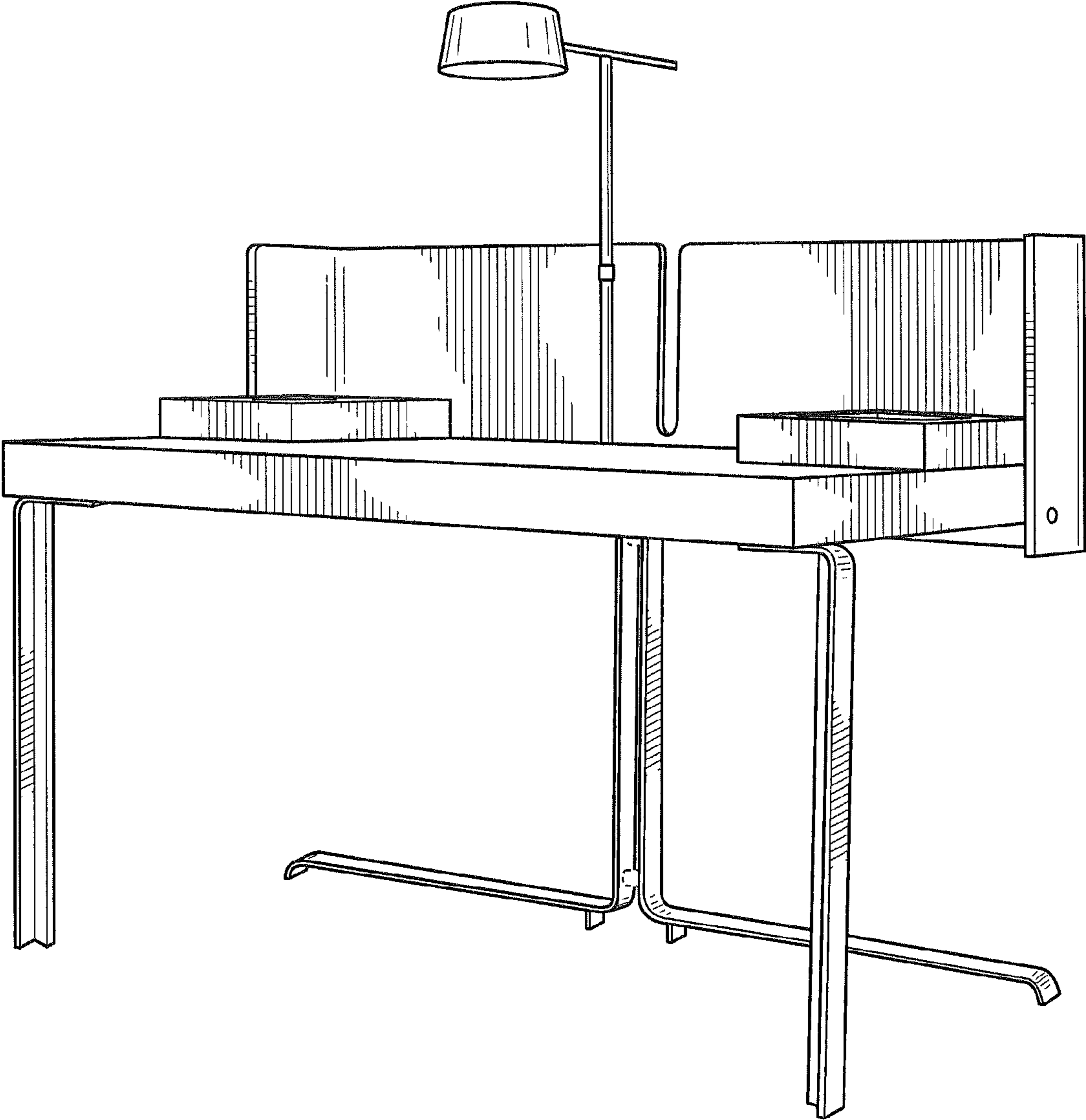


FIG. 1

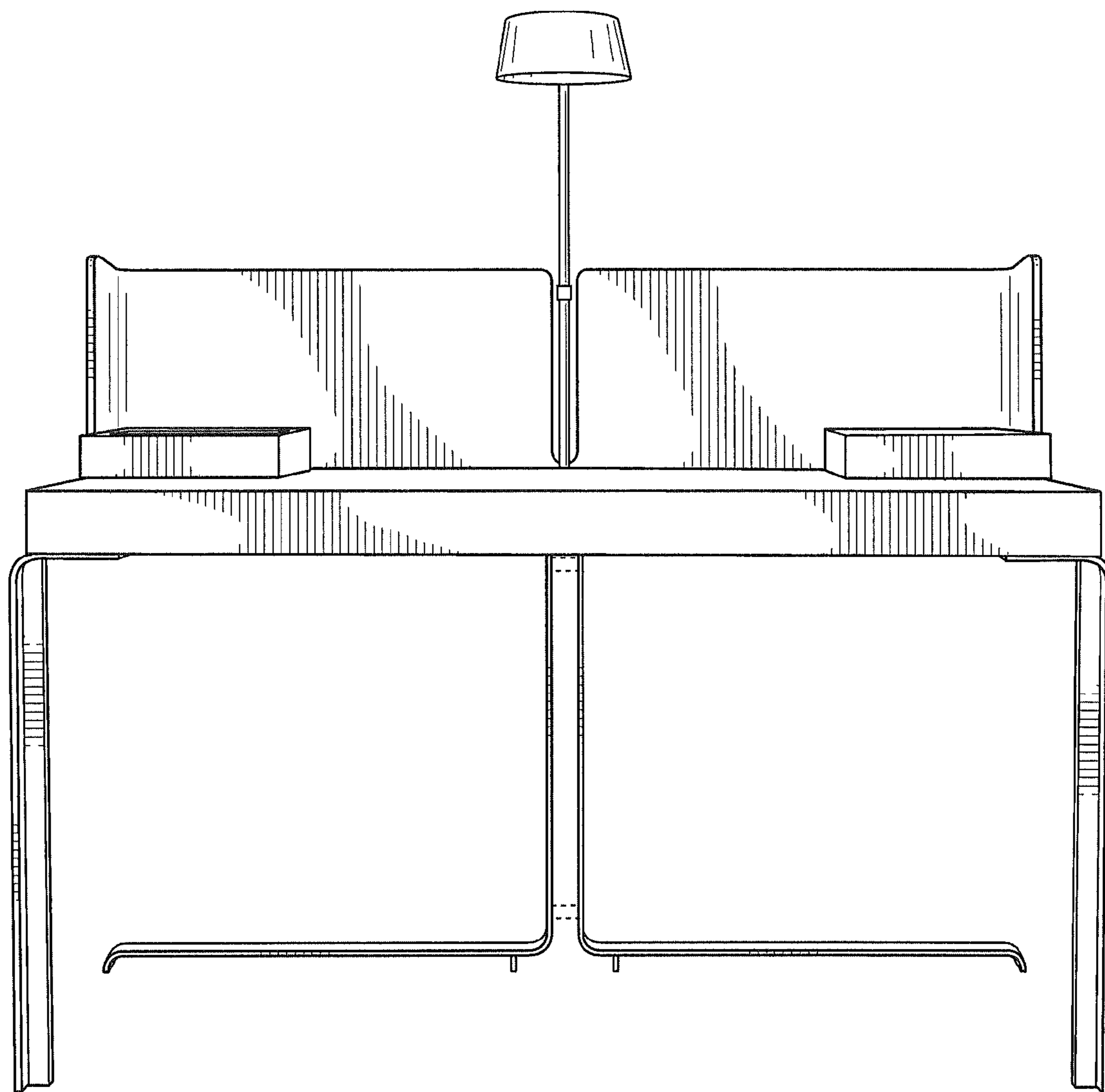


FIG. 2

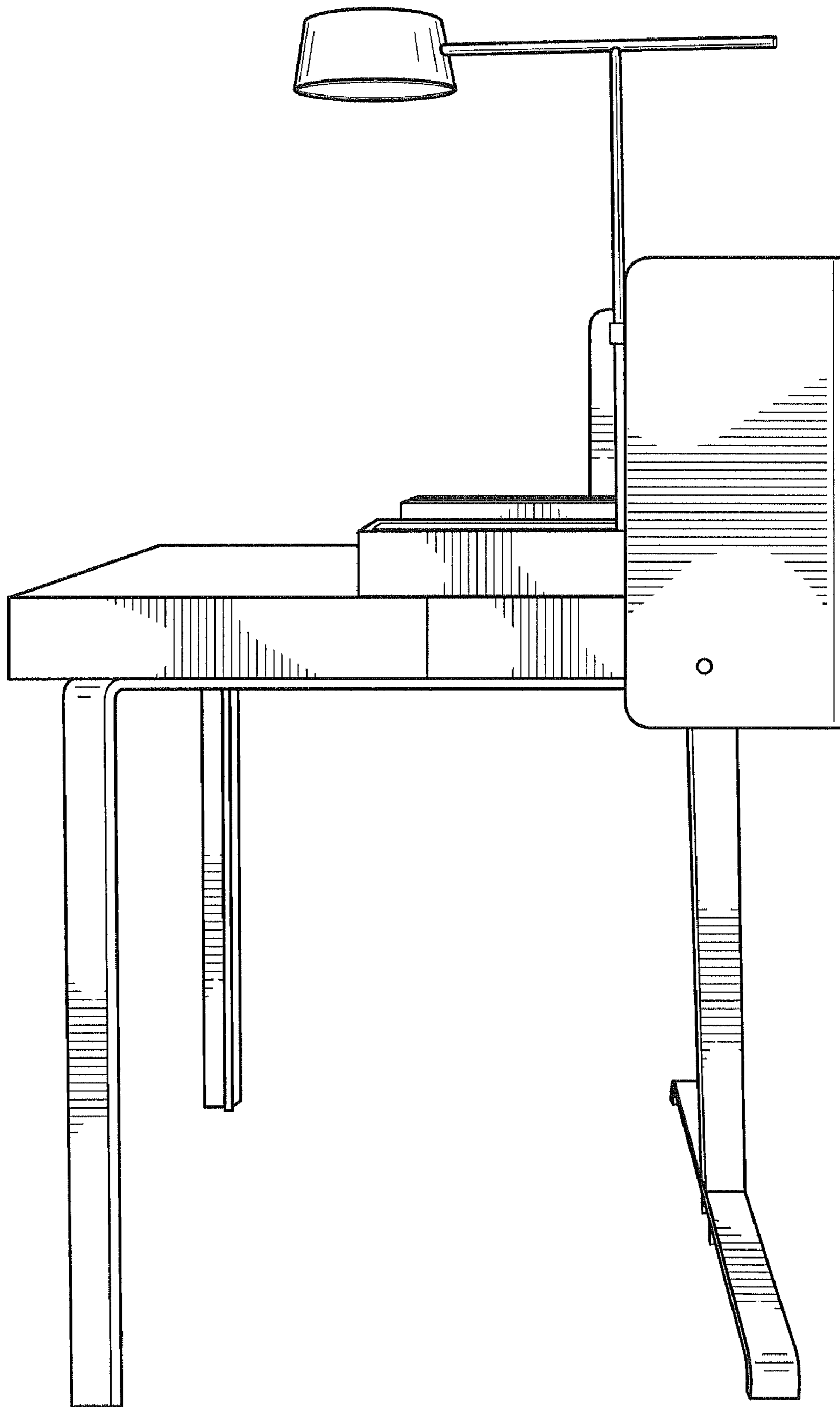


FIG. 3

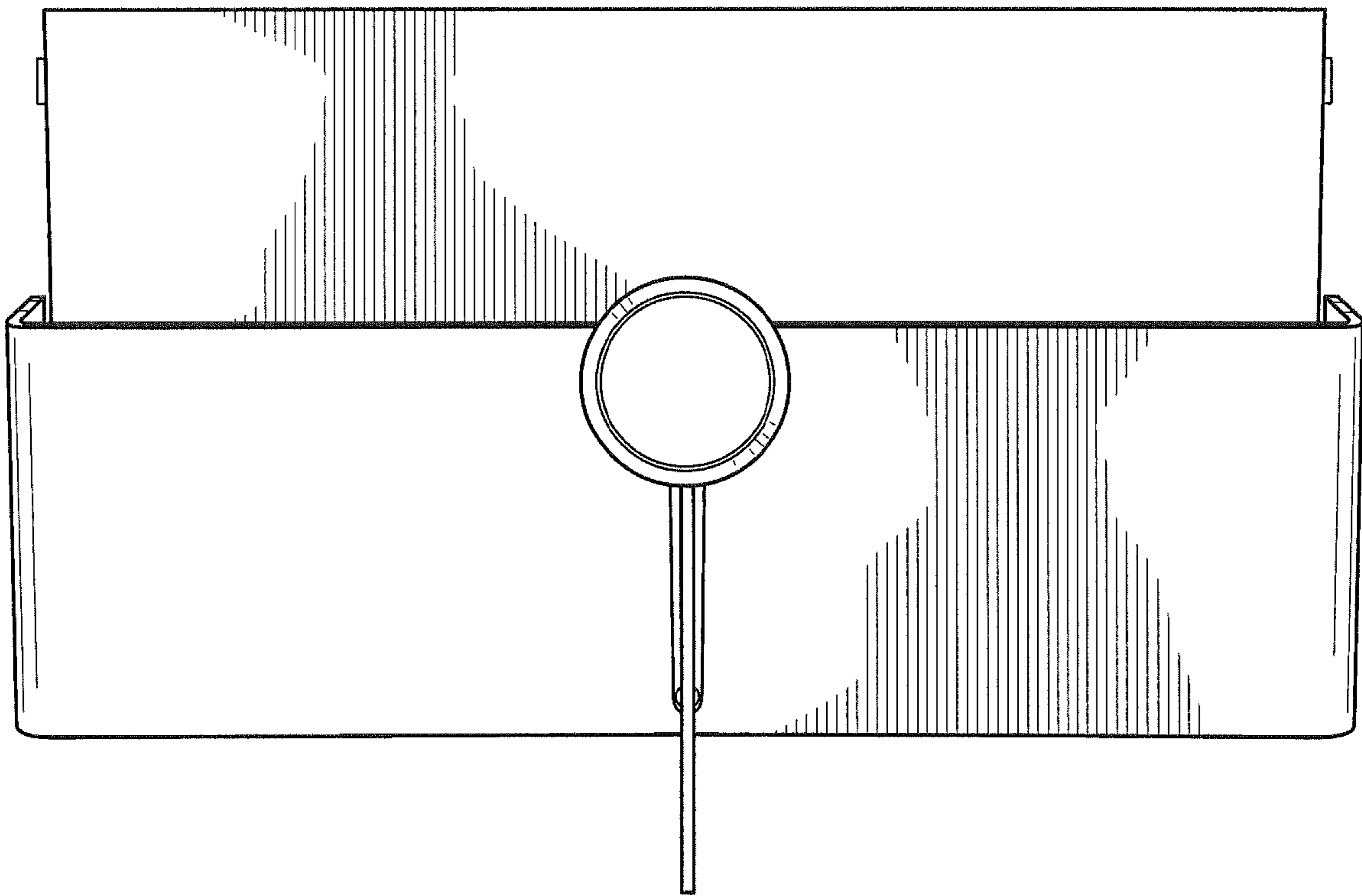


FIG. 4

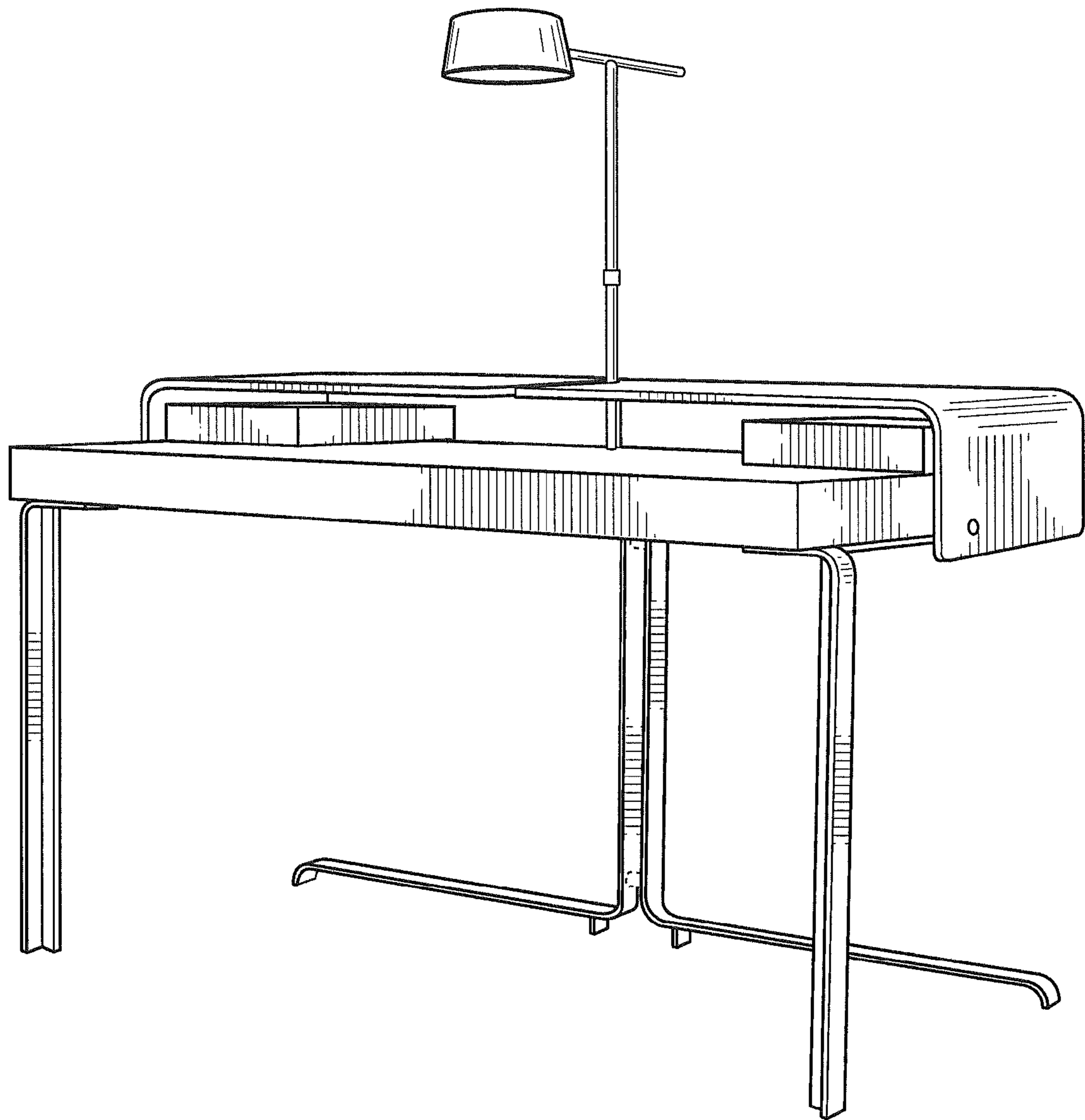


FIG. 5

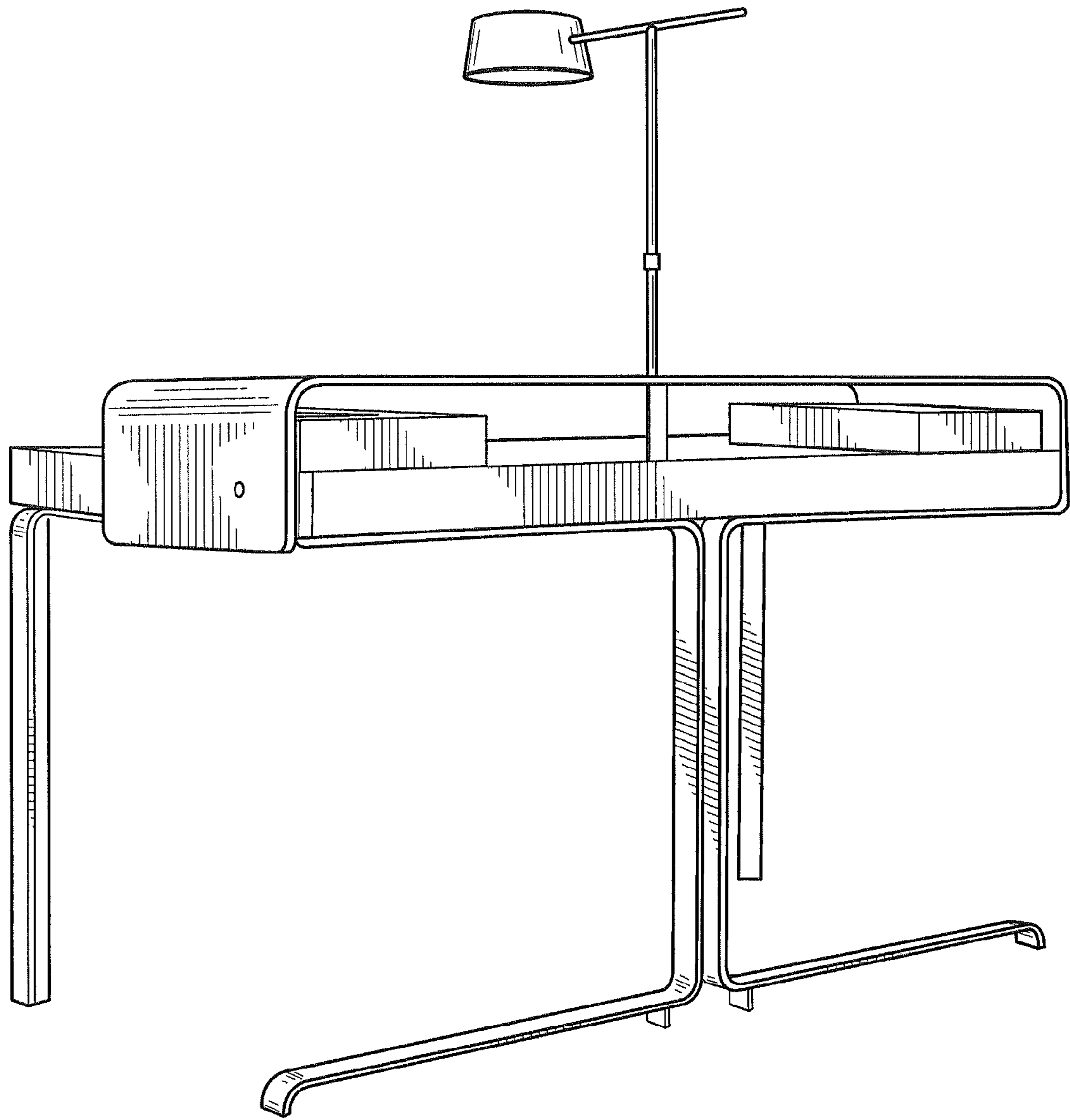


FIG. 6



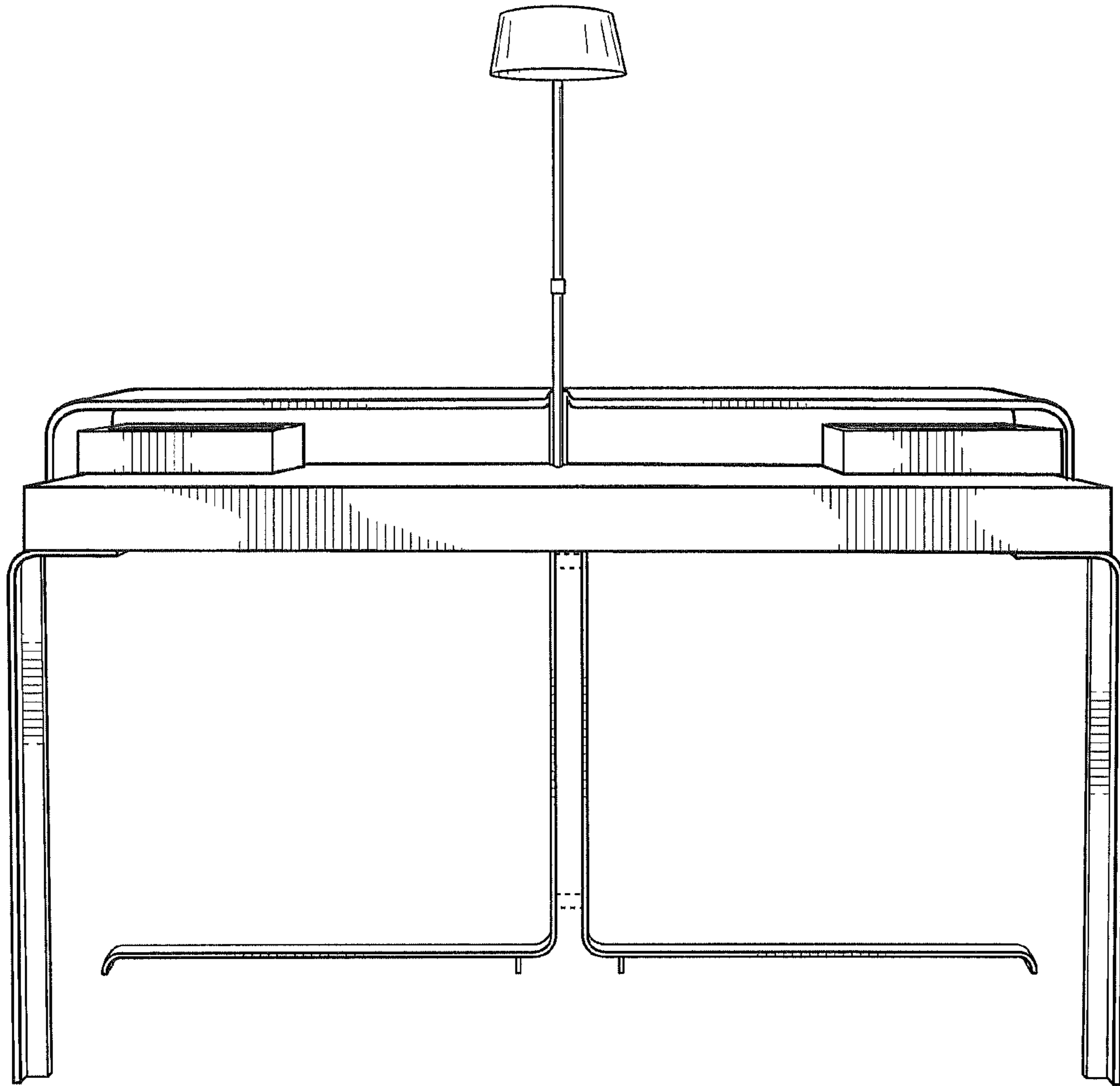


FIG. 7



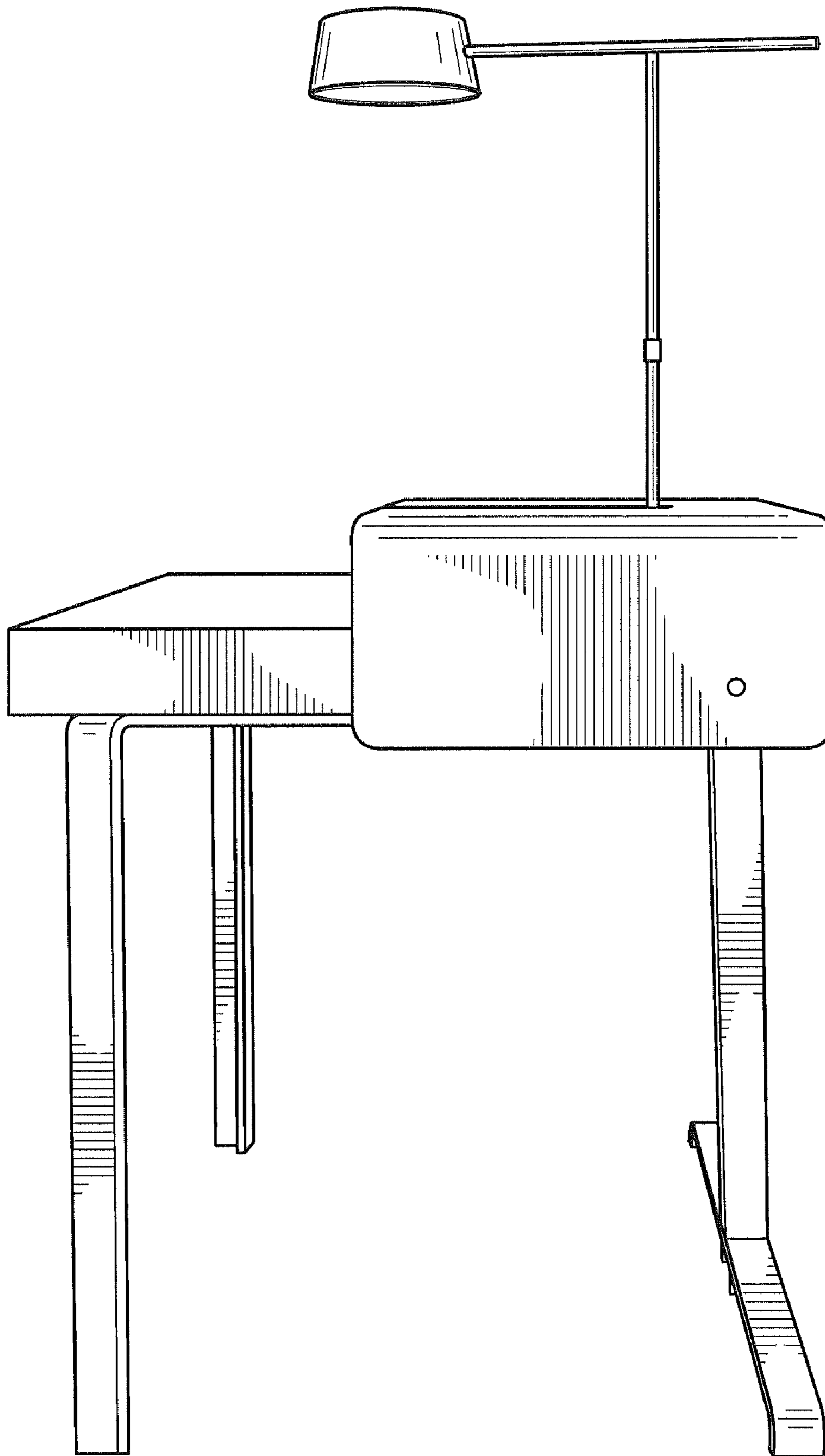


FIG. 8

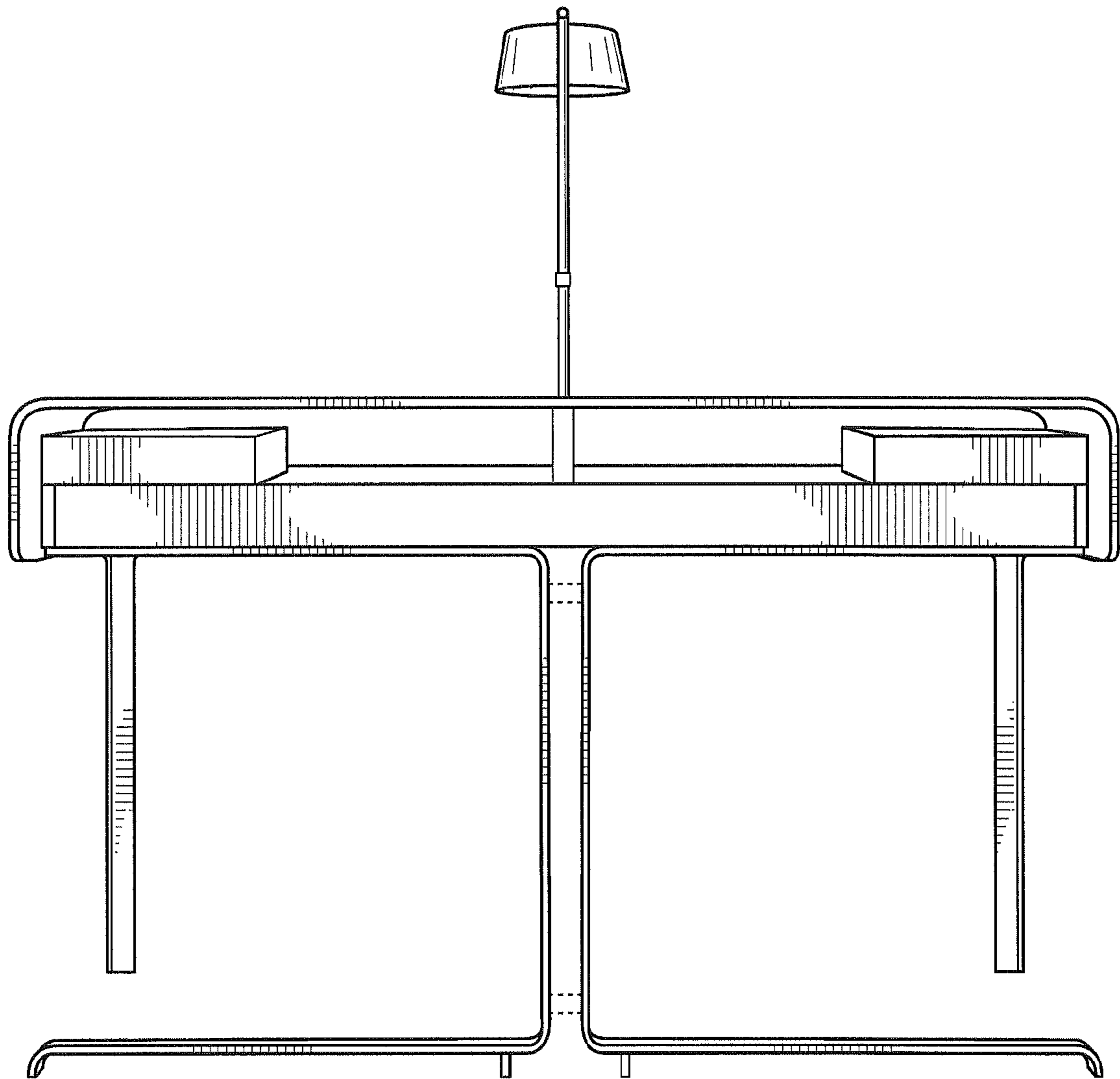


FIG. 9