



US00D631674S

(12) **United States Design Patent**  
**Turner**

(10) **Patent No.:** **US D631,674 S**

(45) **Date of Patent:** **\*\* Feb. 1, 2011**

(54) **CHAIR**

(76) **Inventor:** **Michael J. Turner**, 10/12 Tusculum St.,  
Potts Point, NSW (AU) 2011

(\*\*) **Term:** **14 Years**

(21) **Appl. No.:** **29/351,203**

(22) **Filed:** **Dec. 2, 2009**

(51) **LOC (9) Cl.** ..... **06-01**

(52) **U.S. Cl.** ..... **D6/374**

(58) **Field of Classification Search** ..... D6/334–336,  
D6/360, 370, 371, 373, 374, 375, 376, 379,  
D6/380, 500–502; 297/445.1, 446.1, 448.1,  
297/448.2

See application file for complete search history.

(56) **References Cited**

**U.S. PATENT DOCUMENTS**

D115,838 S *	7/1939	Prokosch	.....	D6/373
D318,186 S *	7/1991	Votteler	.....	D6/374
D357,594 S *	4/1995	Kellen	.....	D6/374
D431,121 S *	9/2000	Matthew	.....	D6/379
D447,354 S *	9/2001	Bluberg	.....	D6/374
D475,543 S *	6/2003	Savini	.....	D6/374

D541,068 S *	4/2007	Foster	.....	D6/374
D565,856 S *	4/2008	Kimmel	.....	D6/374
D575,541 S *	8/2008	Hayes	.....	D6/374
D576,817 S *	9/2008	Sienkowski	.....	D6/374
D580,673 S *	11/2008	Wright et al.	.....	D6/374

\* cited by examiner

*Primary Examiner*—Mimosa De

(74) *Attorney, Agent, or Firm*—Hansen IP Law PLLC

(57) **CLAIM**

The ornamental design for a chair, as shown and described.

**DESCRIPTION**

FIG. 1 is a perspective view of a chair in accordance with the claimed design;

FIG. 2 is a front elevational view thereof;

FIG. 3 is a rear elevational view thereof;

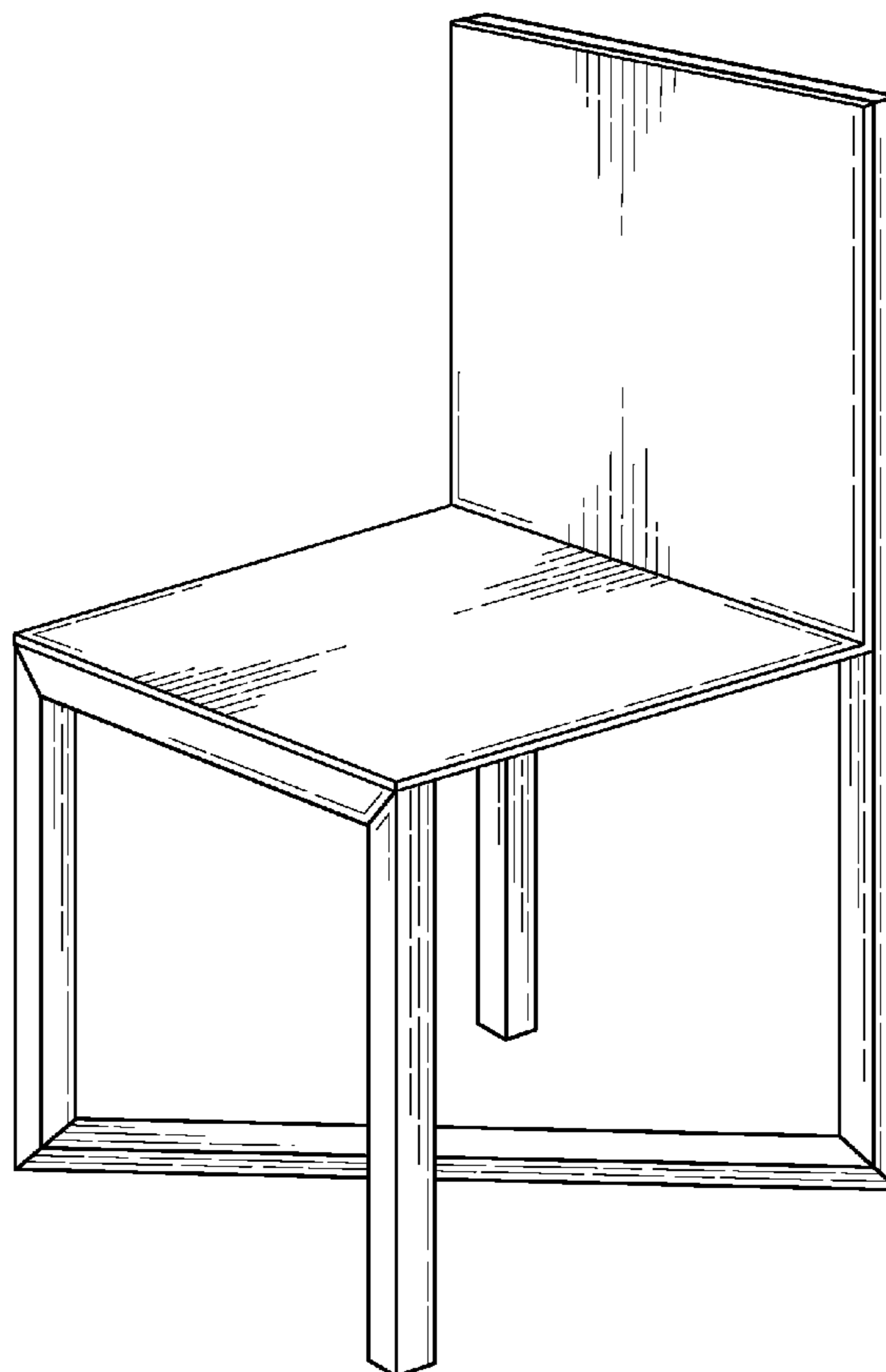
FIG. 4 is a first side elevational view thereof;

FIG. 5 is a second side elevational view thereof;

FIG. 6 is a top plan view thereof; and,

FIG. 7 is a bottom plan view thereof.

**1 Claim, 4 Drawing Sheets**



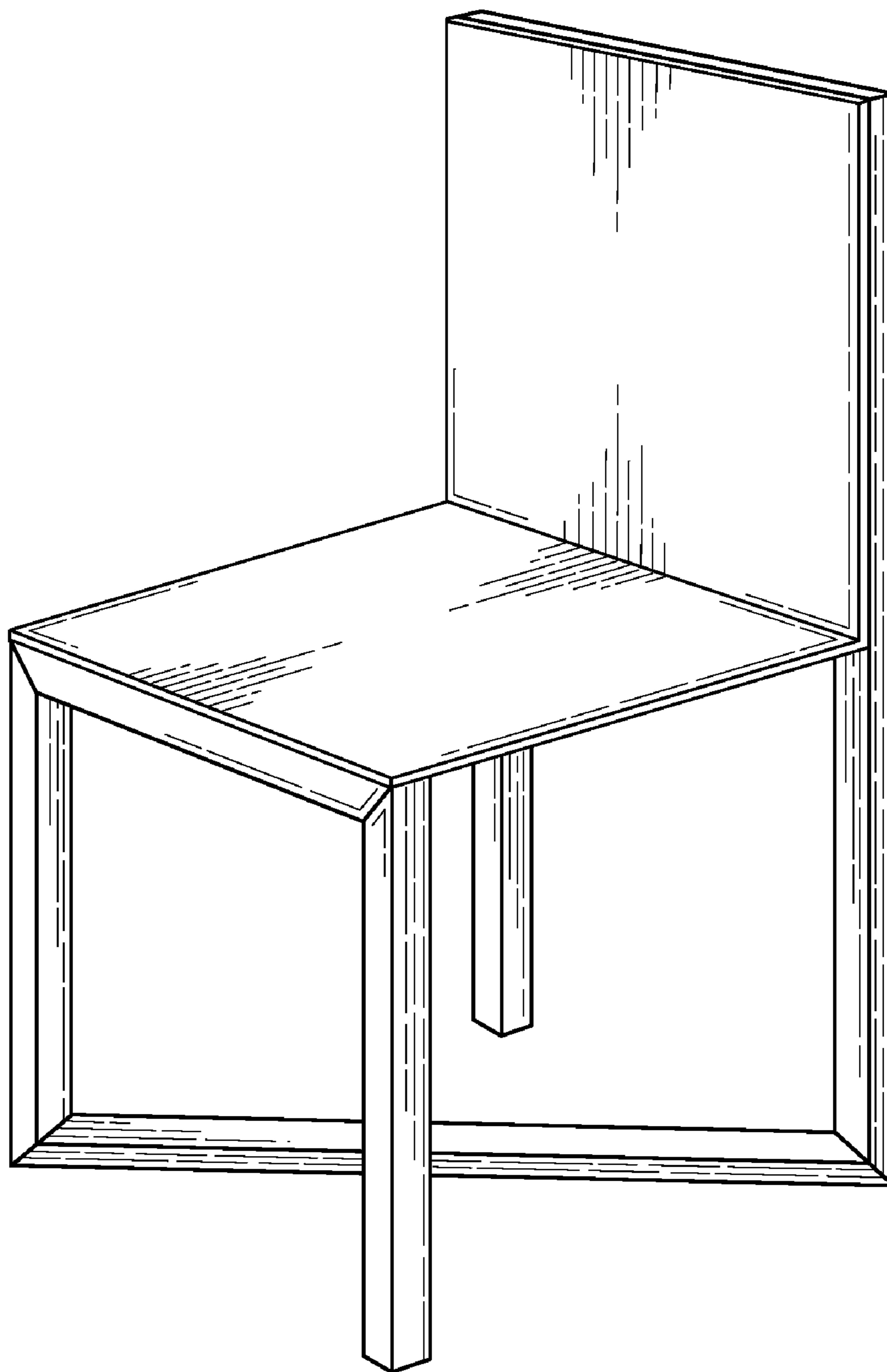


Fig. 1

Fig. 3

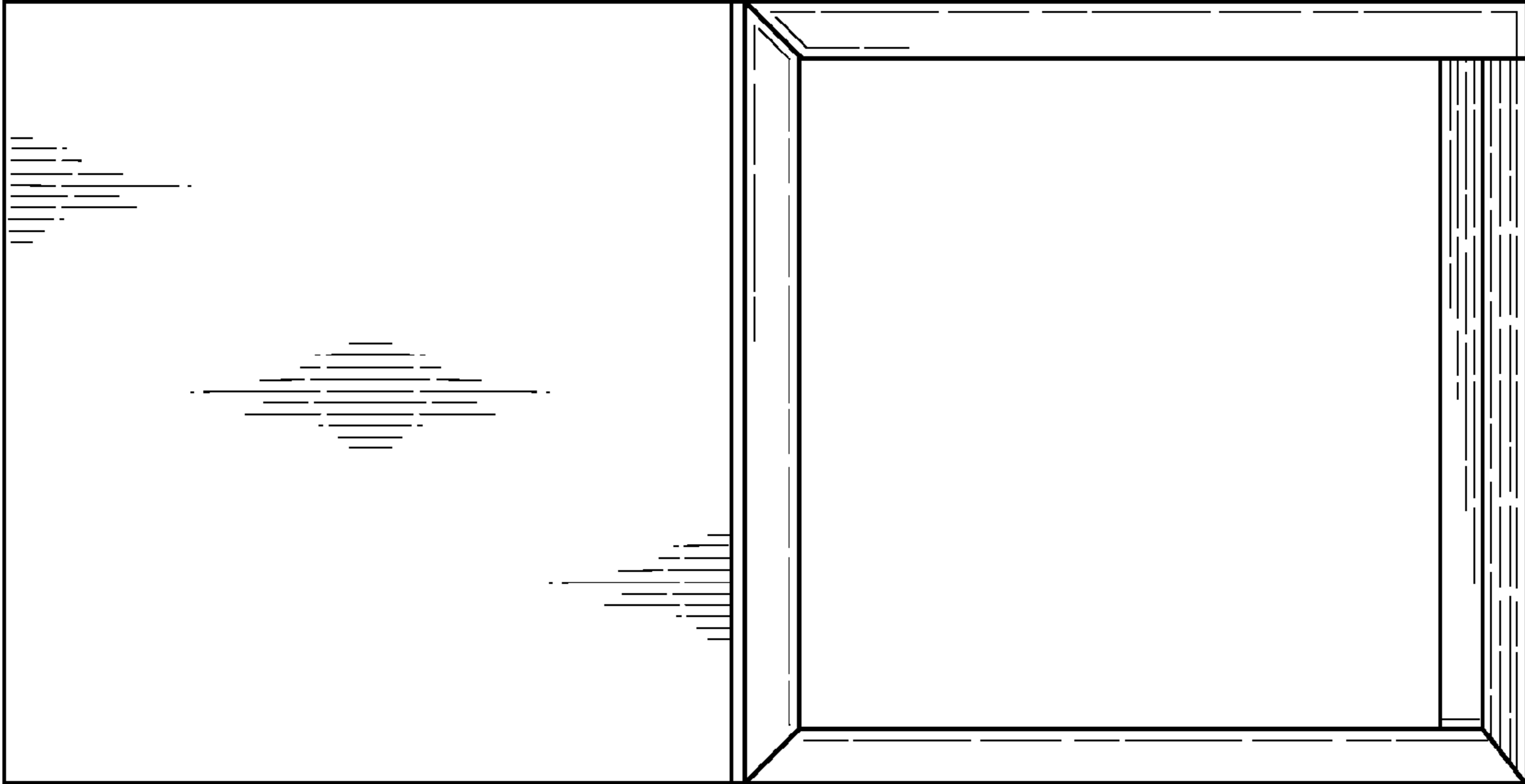
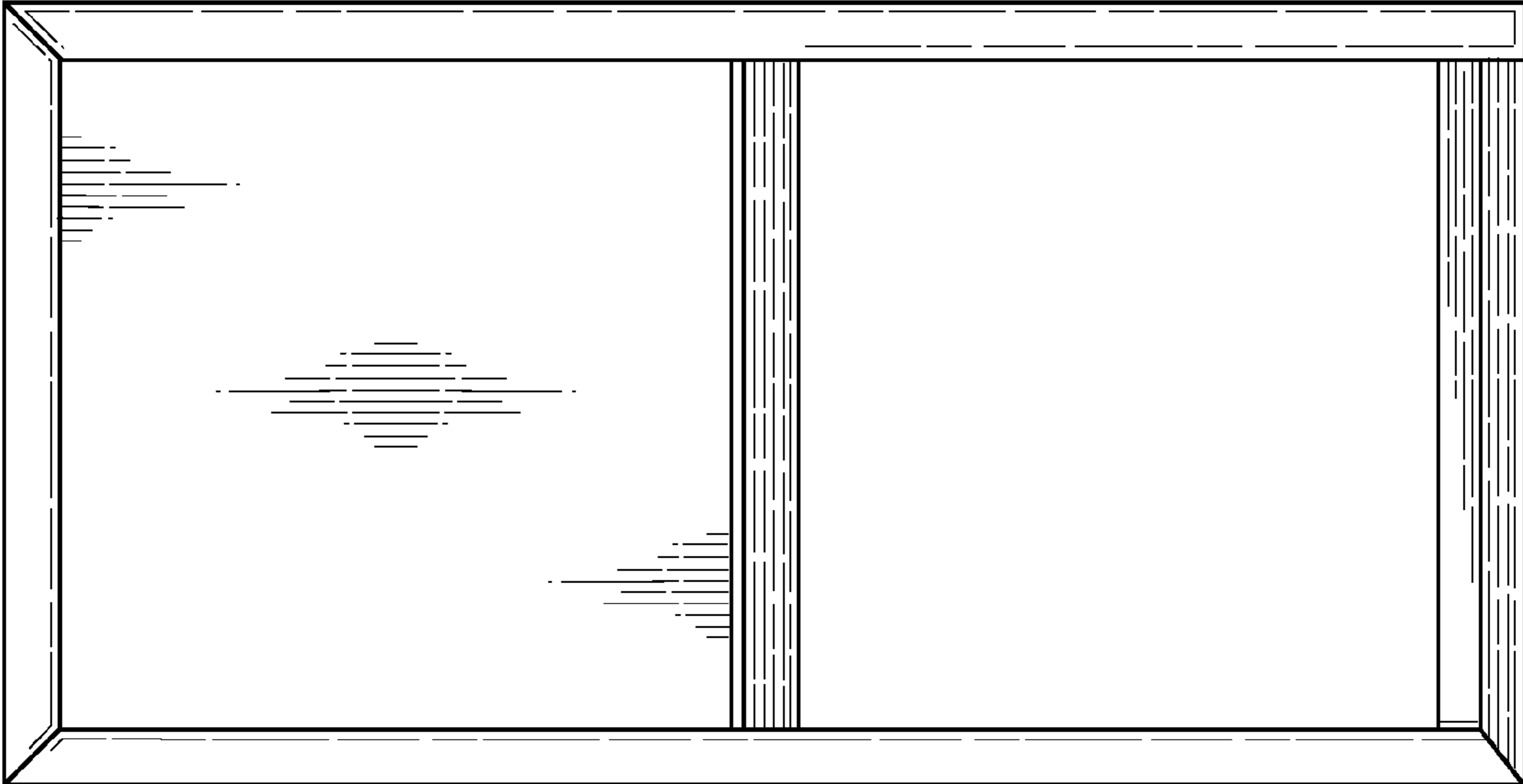


Fig. 2

Fig. 5

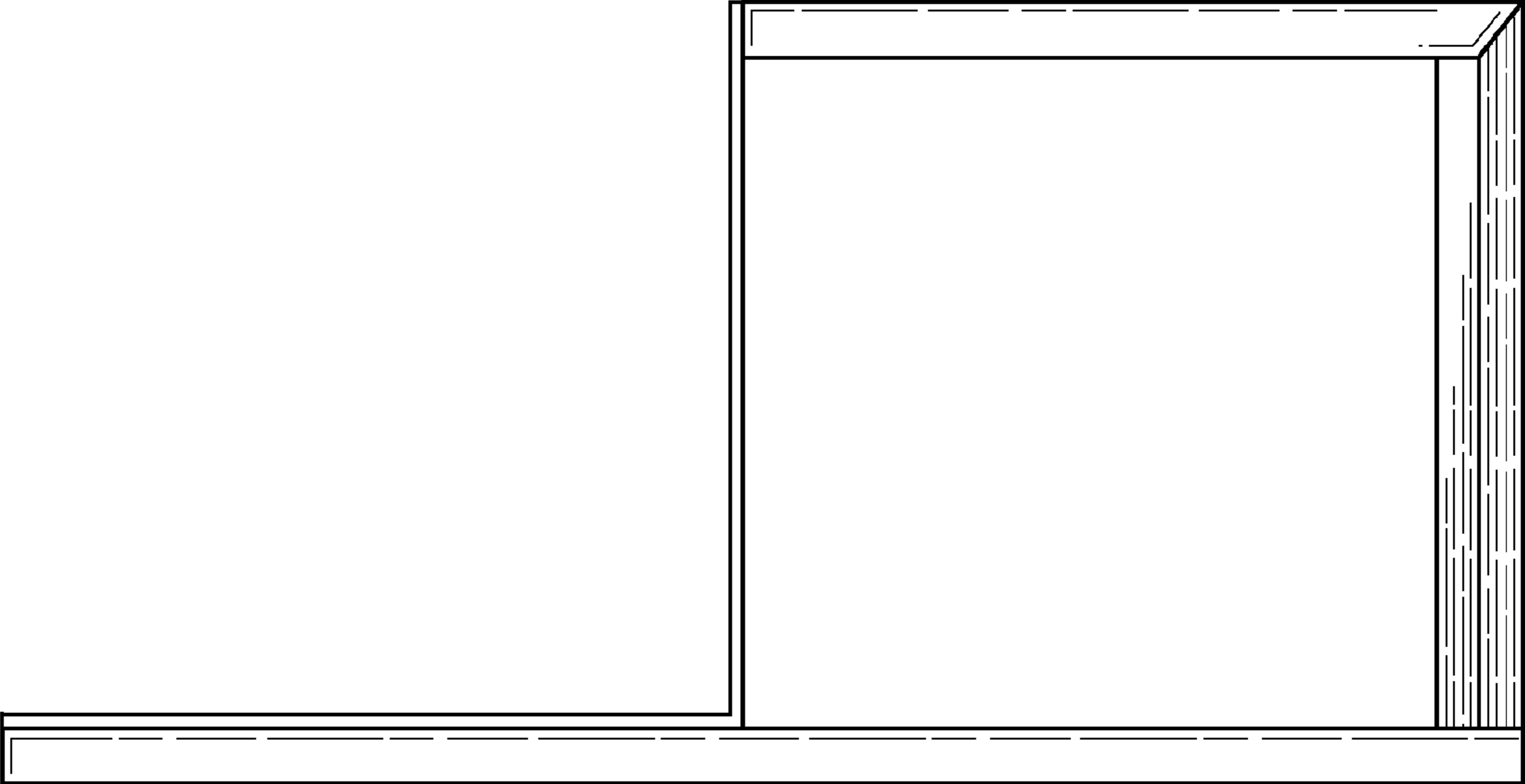
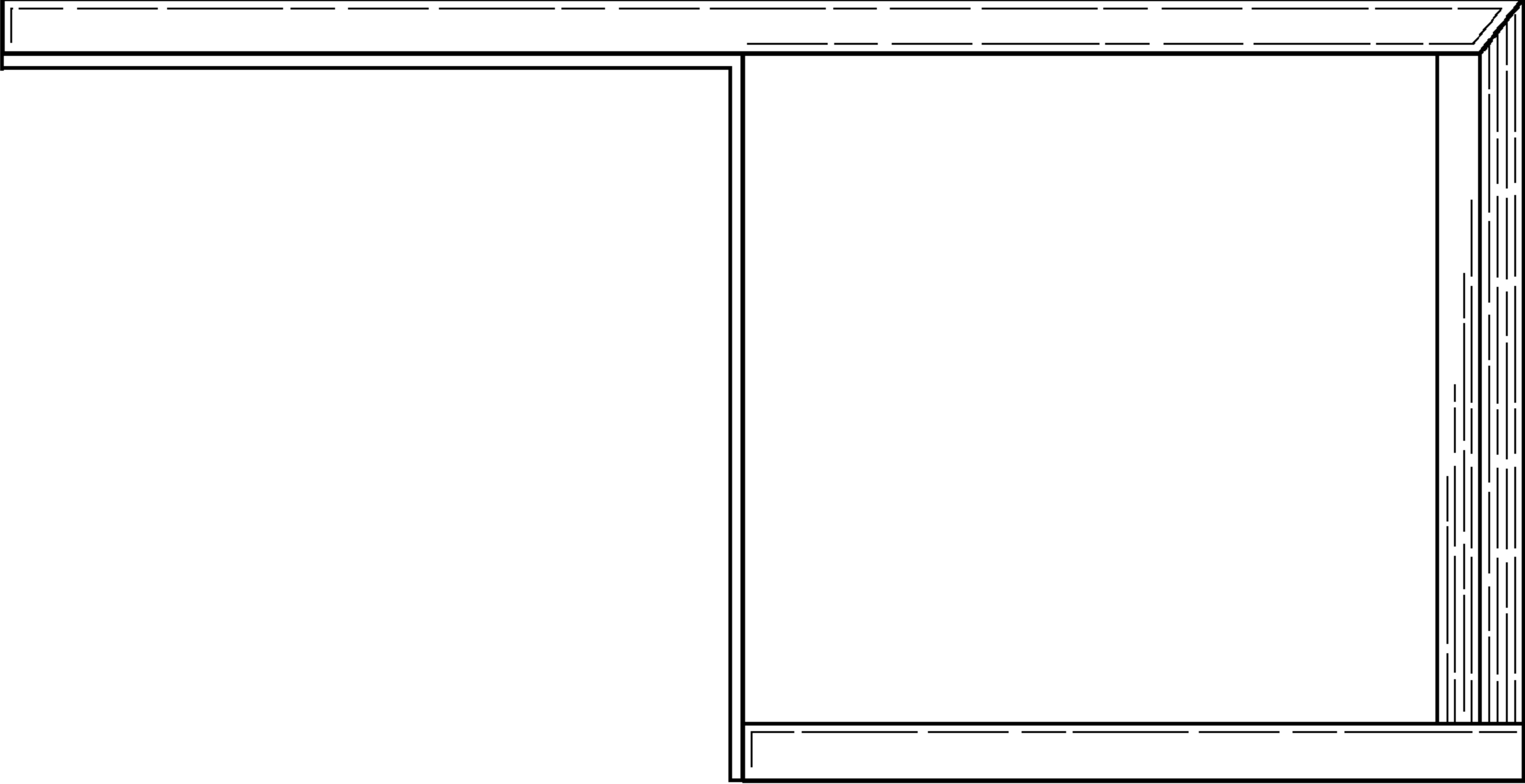


Fig. 4



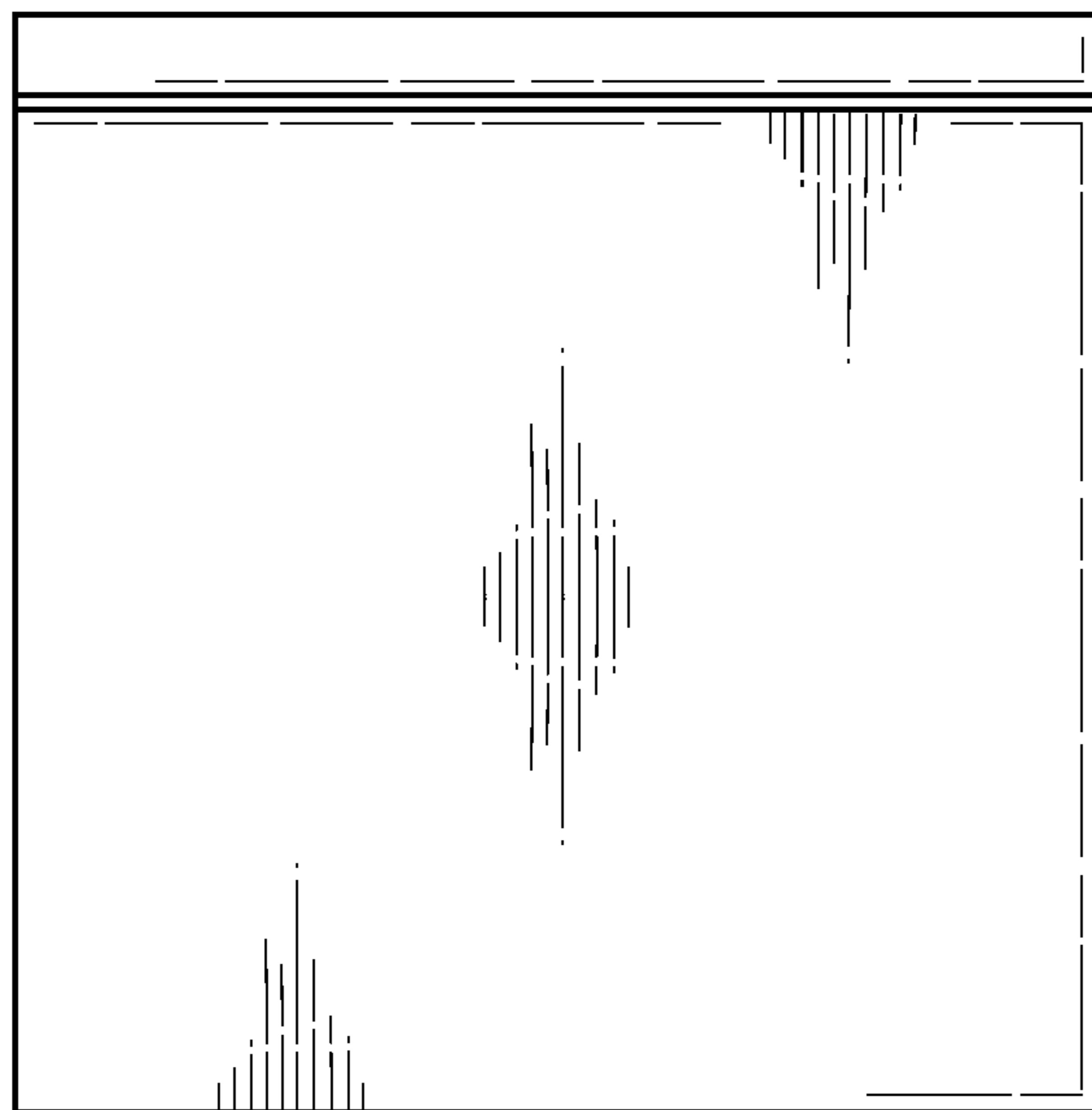


Fig. 6

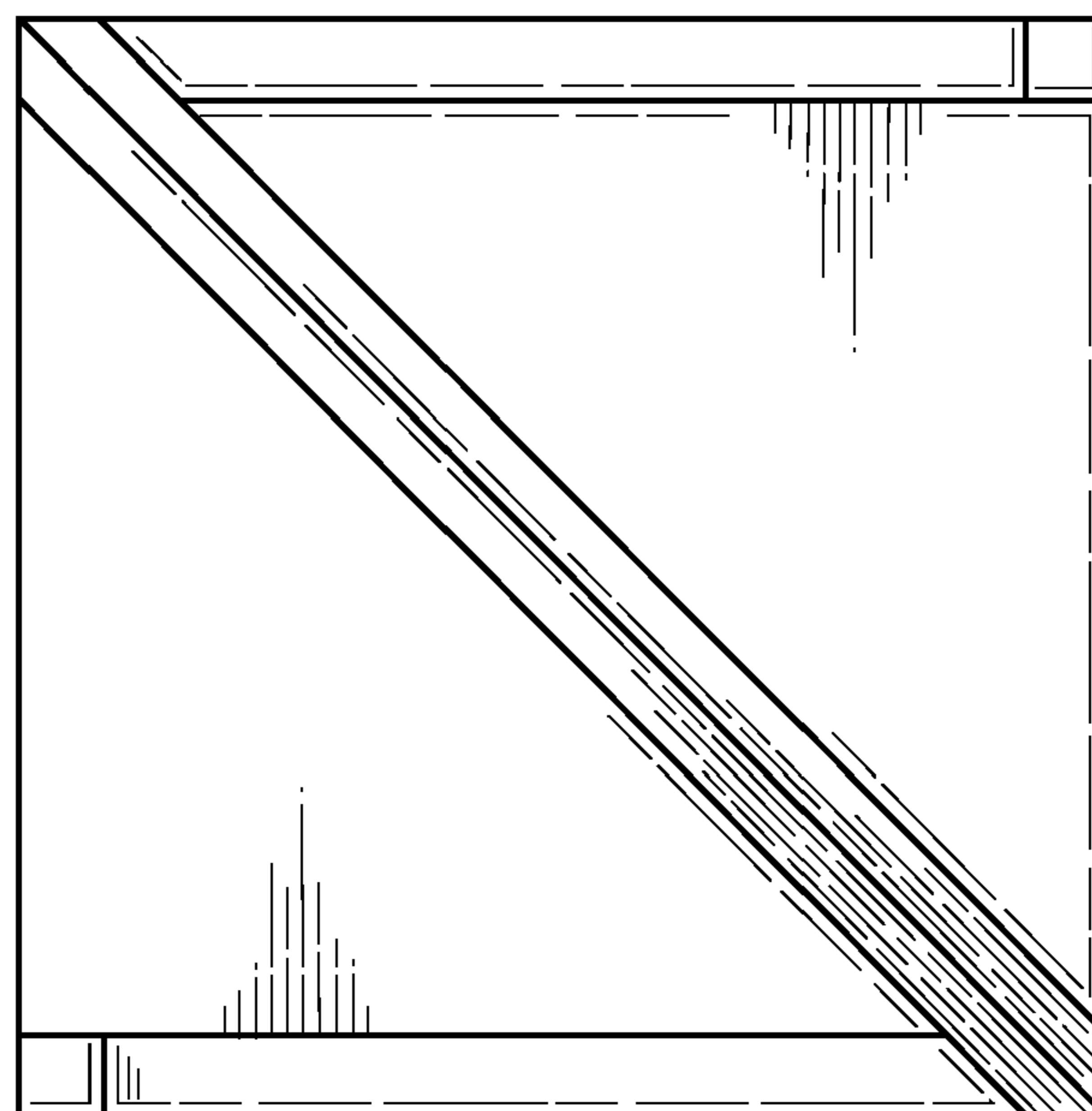


Fig. 7