



US00D631673S

(12) **United States Design Patent**
Schulenberg

(10) **Patent No.:** **US D631,673 S**

(45) **Date of Patent:** **** Feb. 1, 2011**

(54) **RECREATIONAL CHAIR**

(76) Inventor: **Mark D. Schulenberg**, 457 Dublin,
Eugene, OR (US) 97404

(**) Term: **14 Years**

(21) Appl. No.: **29/365,963**

(22) Filed: **Jul. 16, 2010**

(51) **LOC (9) Cl.** **06-01**

(52) **U.S. Cl.** **D6/338**

(58) **Field of Classification Search** D6/330,
D6/335-338, 340, 349-355, 358, 359, 364,
D6/366, 376, 491, 495, 500-502; 297/16.1,
297/39, 46, 135, 140, 156, 158.3, 158.4,
297/175, 177, 187, 195.1, 195.11, 211, 245,
297/423.1, 423.16, 445.1, 461, 462, 45, 47,
297/48; 5/12.1, 12.2

See application file for complete search history.

(56) **References Cited**

U.S. PATENT DOCUMENTS

1,925,246	A *	9/1933	Hayes	297/45
2,096,237	A *	10/1937	Frey	297/45
2,493,682	A *	1/1950	Meehan	297/45
3,730,584	A *	5/1973	Uchida	297/45
4,105,244	A *	8/1978	Colby	297/45
4,566,731	A *	1/1986	Marchesini	297/45
5,570,928	A *	11/1996	Staunton et al.	297/232
5,873,624	A *	2/1999	Simpson	297/45
D456,628	S *	5/2002	Satoshi	D6/368
6,439,659	B1 *	8/2002	Neubauer, Jr.	297/188.01
6,454,348	B1 *	9/2002	Wu	297/16.2

6,540,290	B2 *	4/2003	Liu	297/45
6,550,855	B2 *	4/2003	Liu	297/42
6,736,450	B2 *	5/2004	Miyagi	297/16.2
D522,263	S *	6/2006	Hart	D6/368
D536,886	S *	2/2007	Hart	D6/336
D555,950	S *	11/2007	Hart	D6/509
D572,508	S *	7/2008	Tagliati et al.	D6/500
D572,925	S *	7/2008	Carrere	D6/368
2004/0046428	A1 *	3/2004	Hwang	297/188.2
2009/0174230	A1 *	7/2009	Chen	297/16.1
2010/0171342	A1 *	7/2010	Chen	297/45
2010/0187866	A1 *	7/2010	Chen	297/16.1

* cited by examiner

Primary Examiner—Sandra Snapp

(74) *Attorney, Agent, or Firm*—Jerry Haynes Law

(57) **CLAIM**

The ornamental design for a recreational chair, as shown and described.

DESCRIPTION

FIG. 1 is a front perspective view of a recreational chair showing my new design;

FIG. 2 is a right side view thereof;

FIG. 3 is a front view thereof;

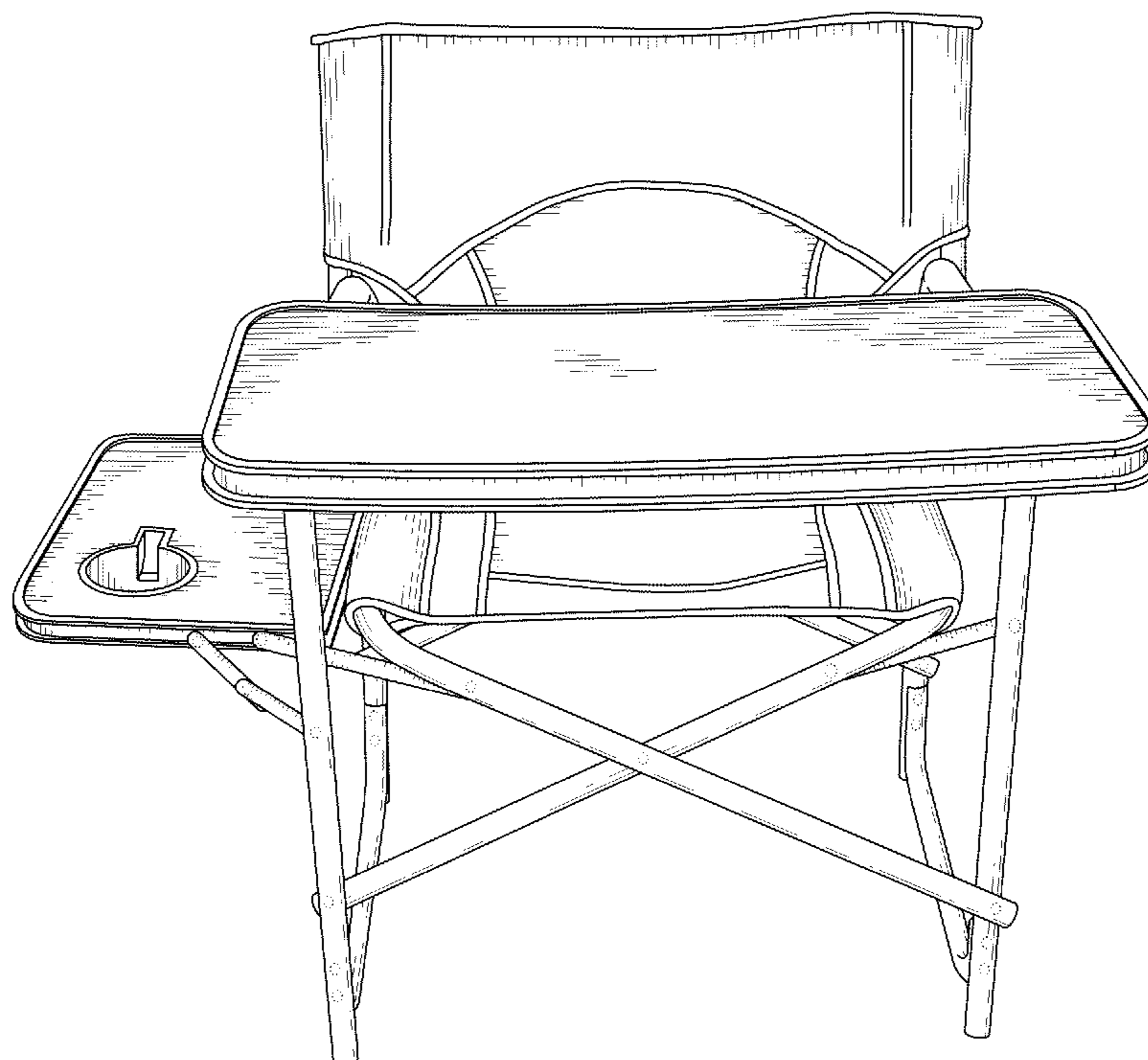
FIG. 4 is a right side view thereof;

FIG. 5 is a left side view thereof;

FIG. 6 is a top view thereof; and,

FIG. 7 is a bottom view thereof.

1 Claim, 4 Drawing Sheets



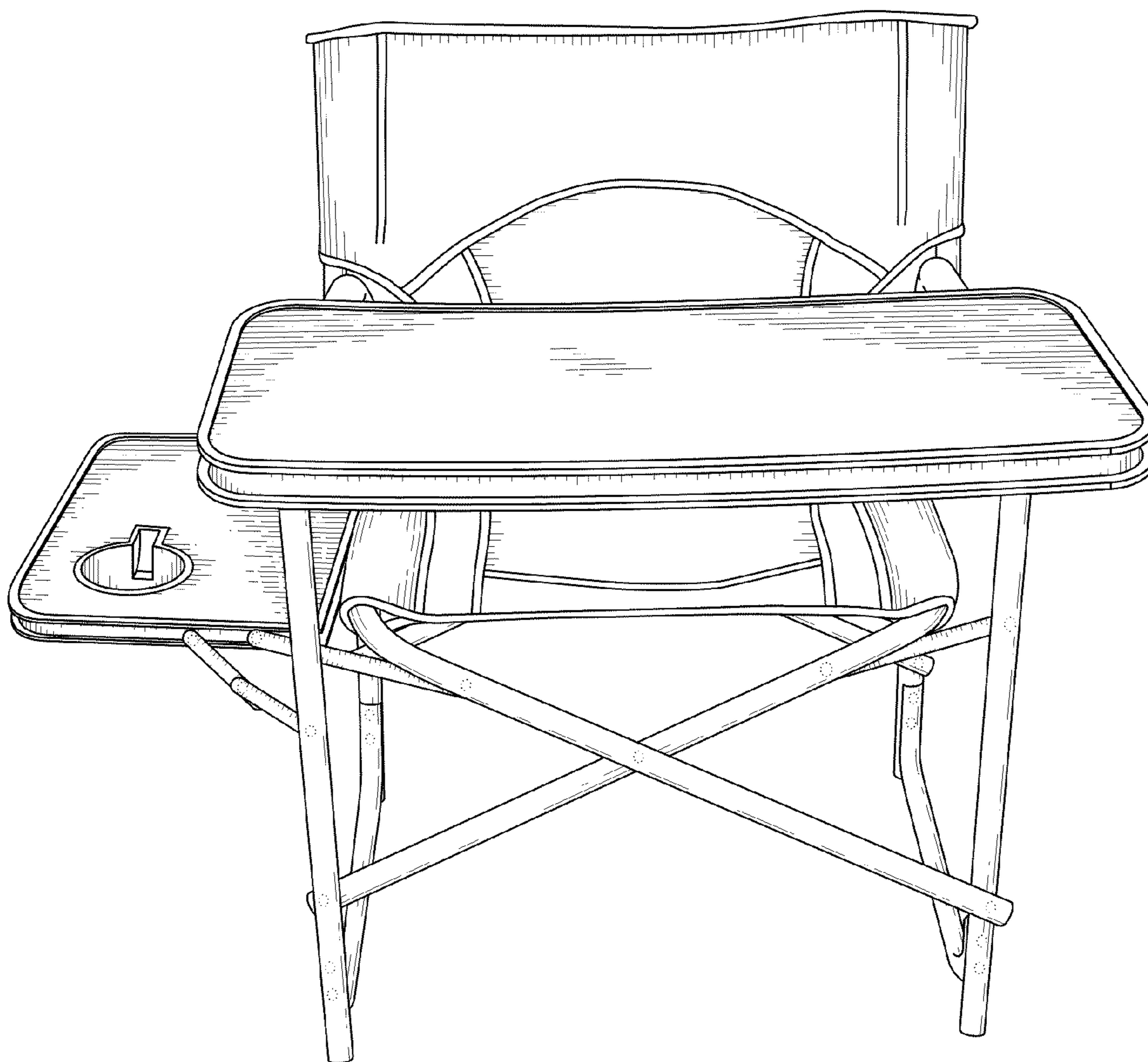


FIG. 1

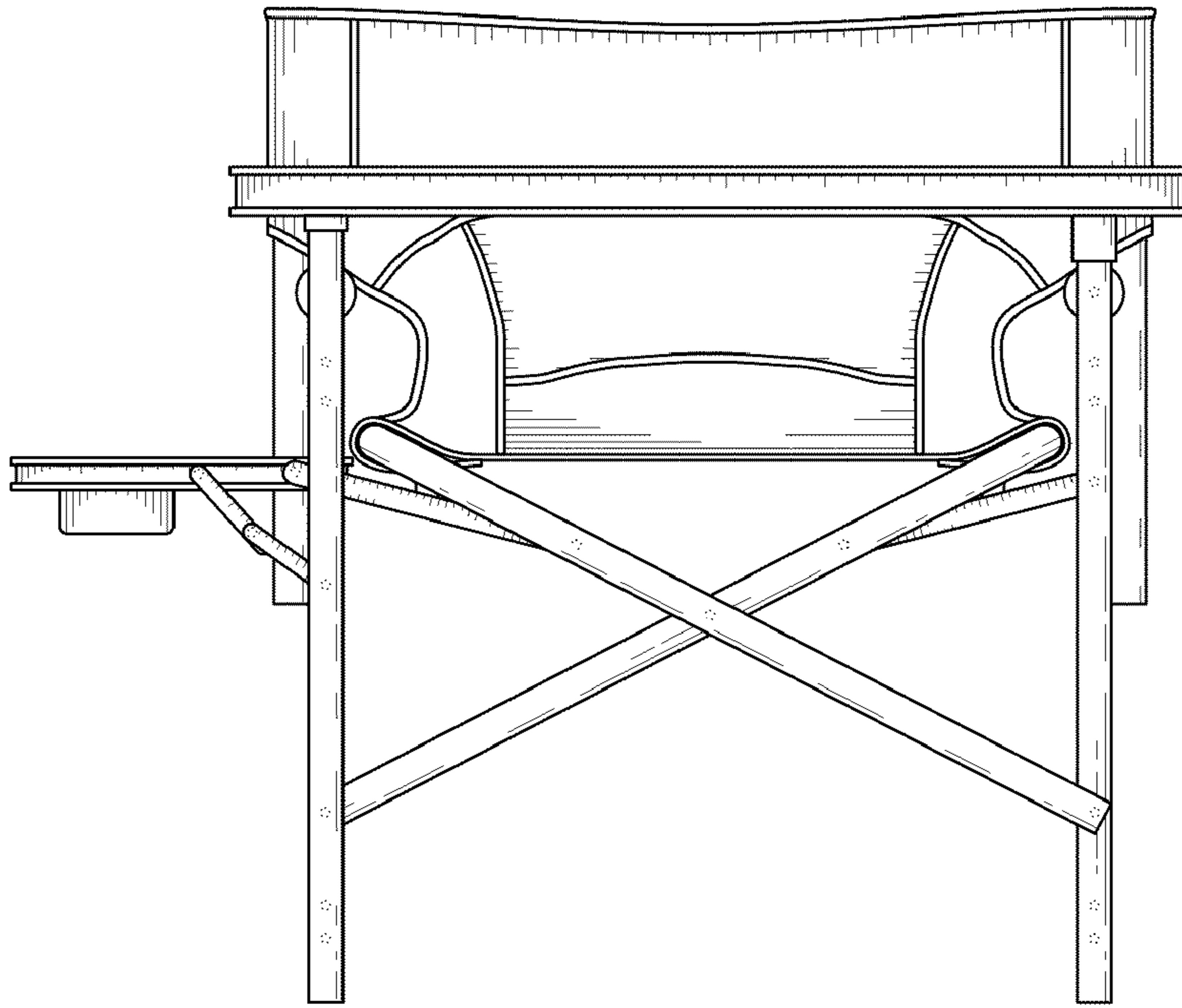


FIG. 2

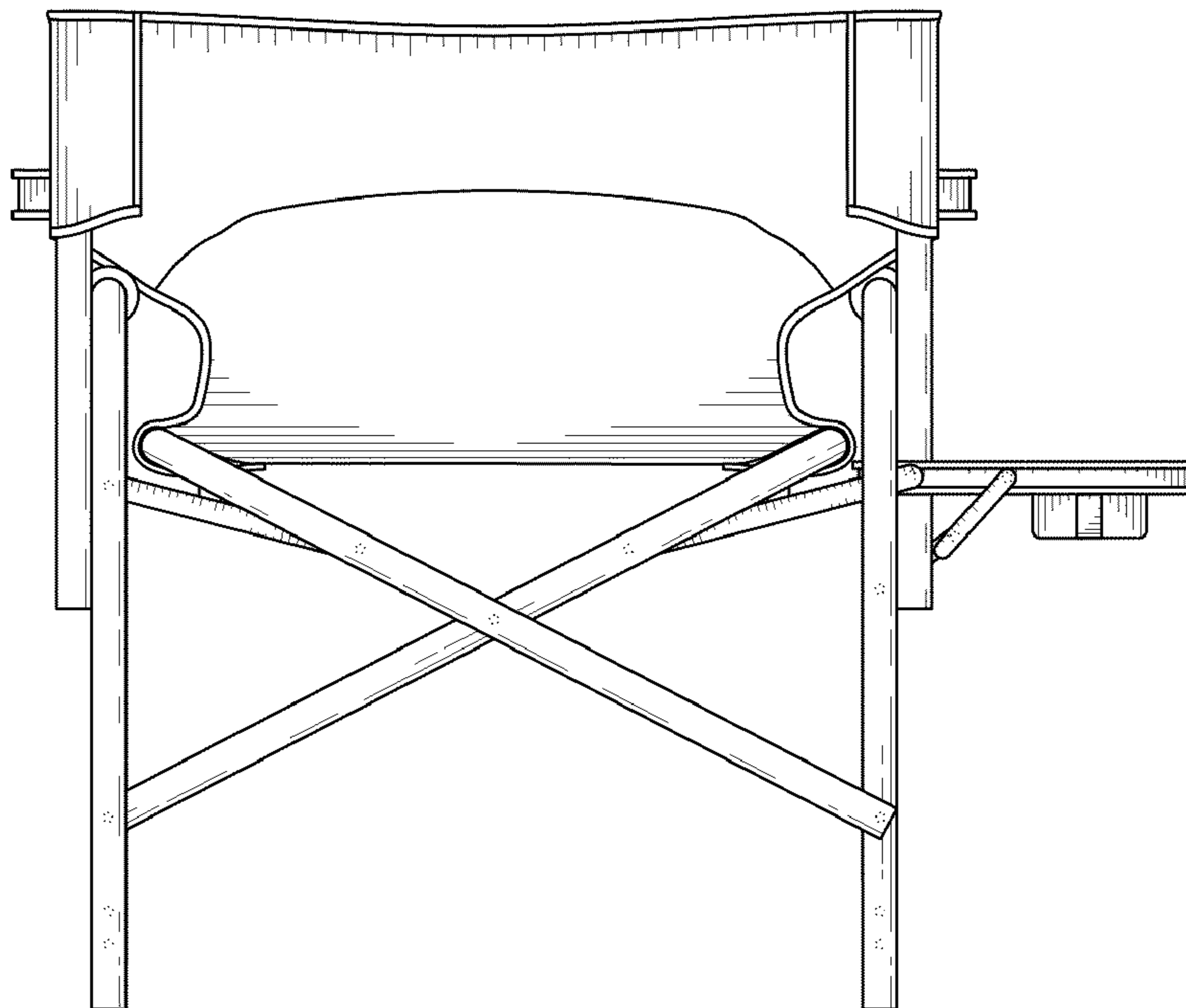


FIG. 3

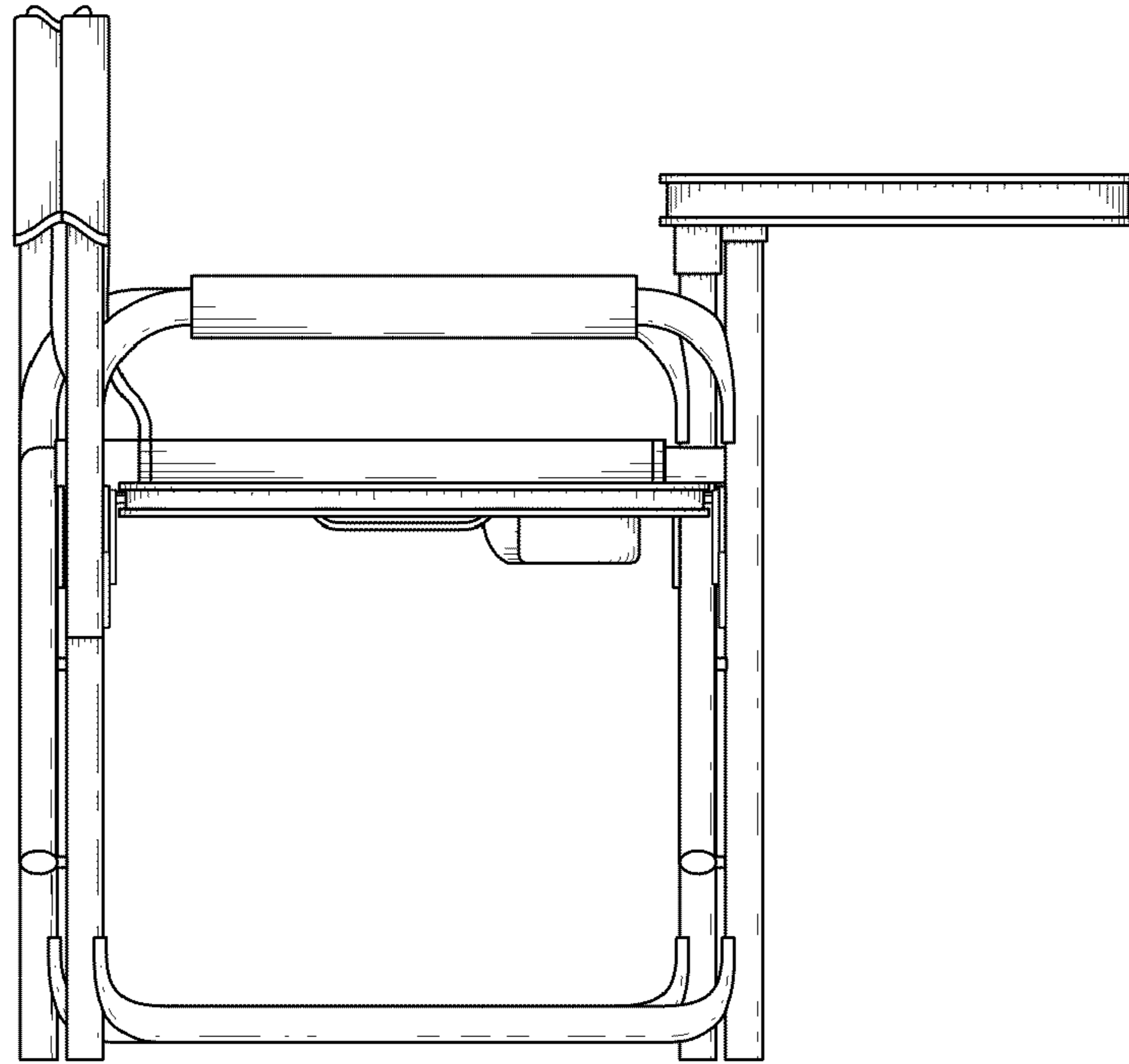


FIG. 4

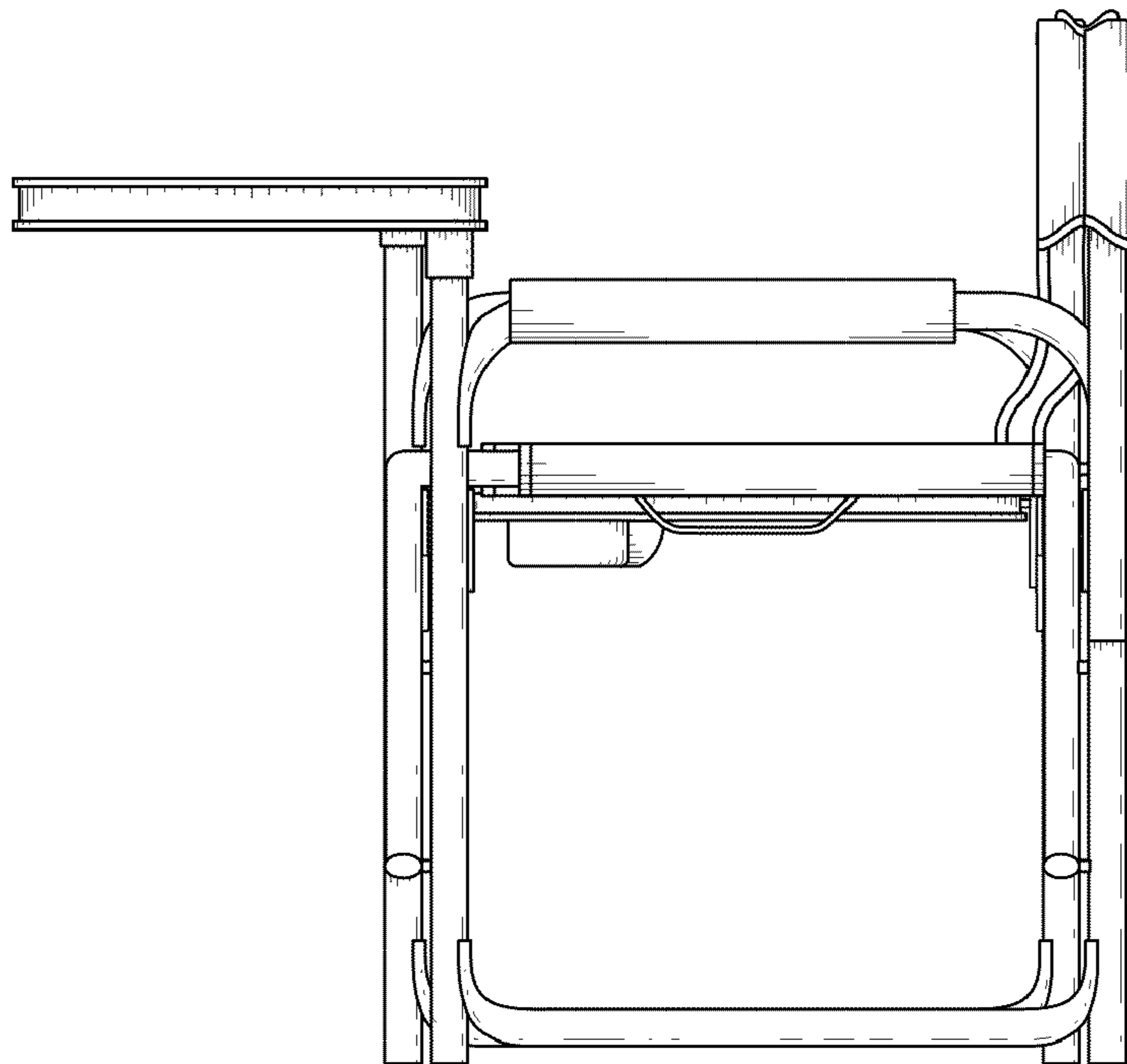


FIG. 5

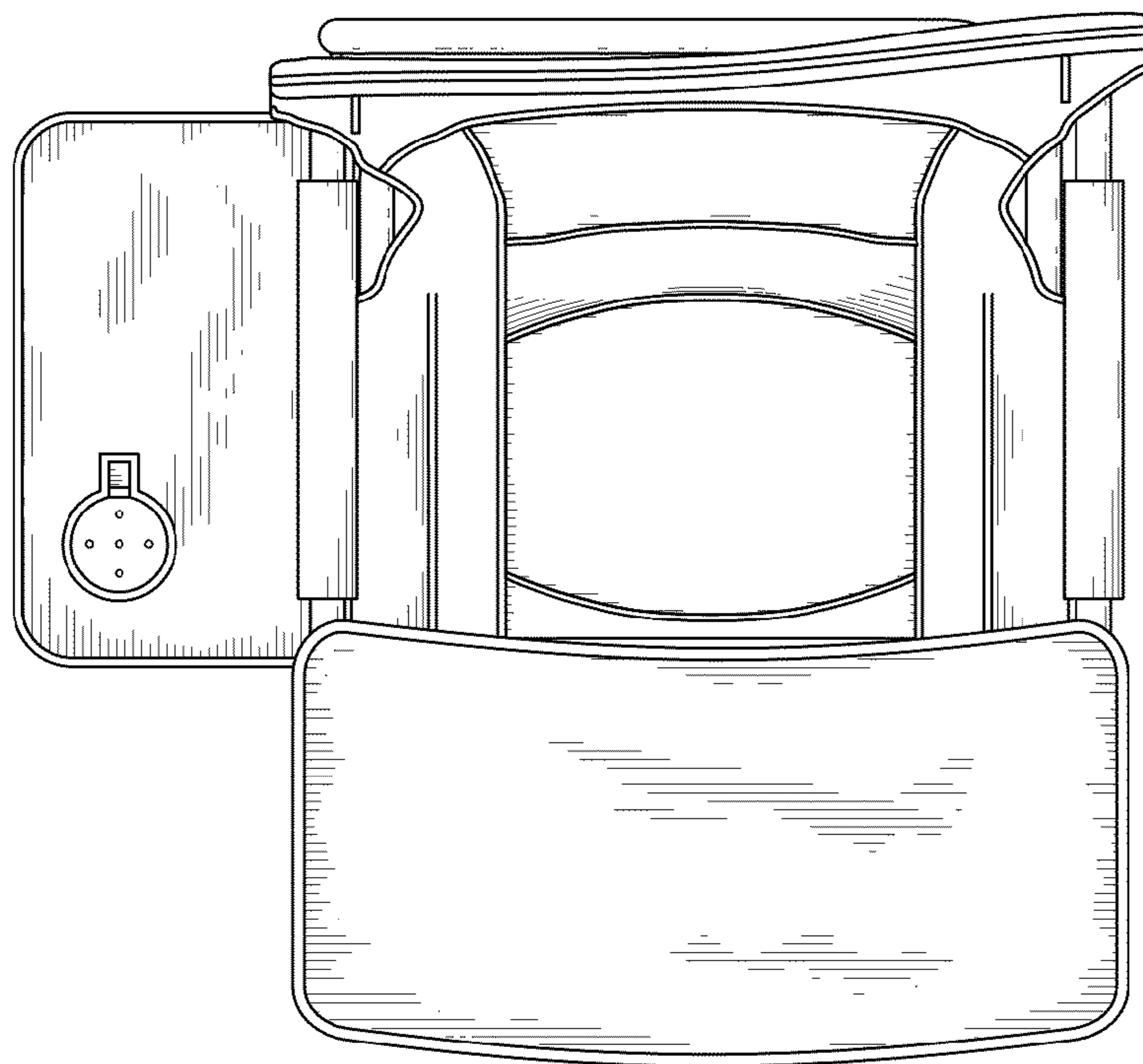


FIG. 6

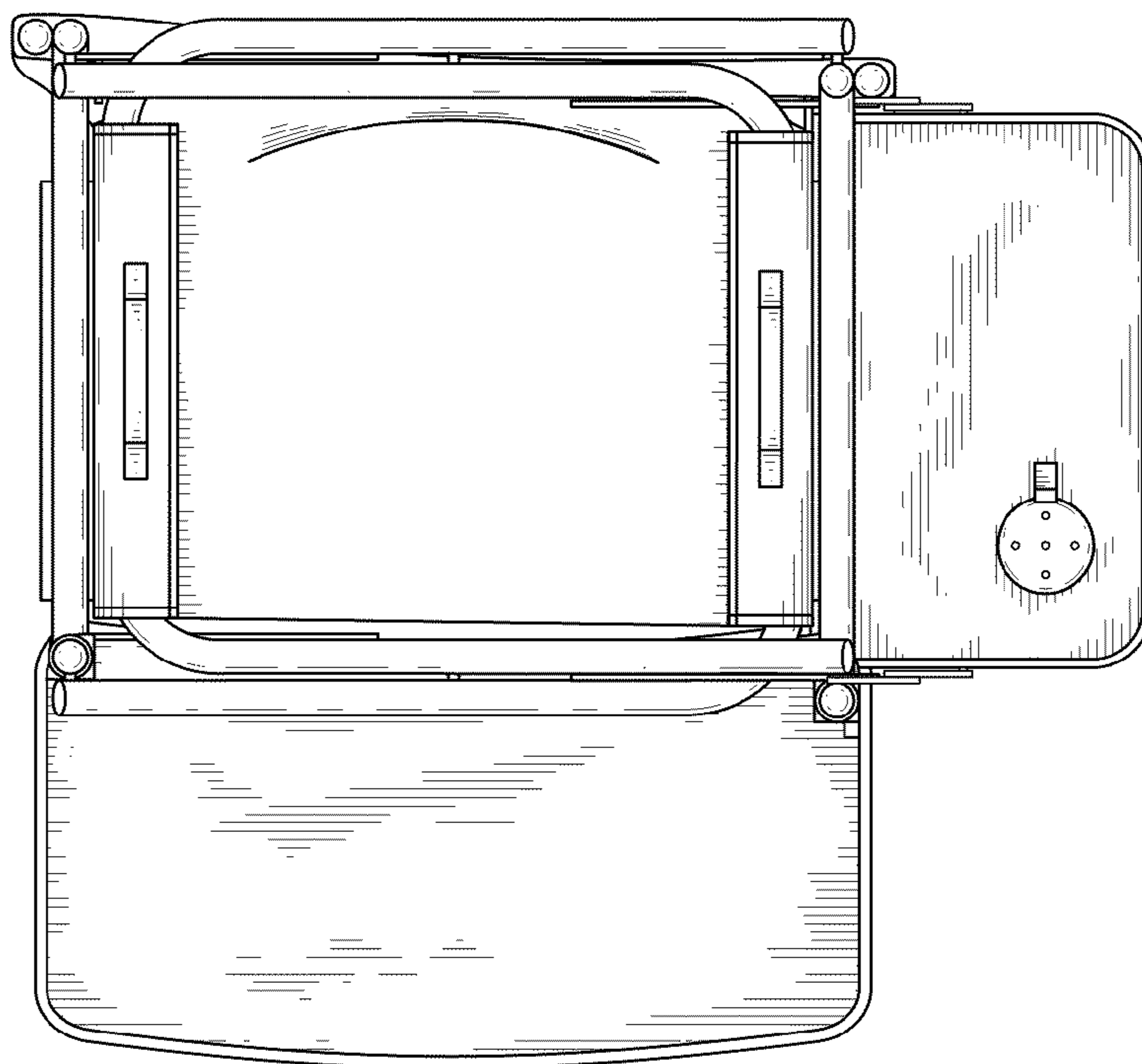


FIG. 7