



US00D631671S

(12) **United States Design Patent**  
**Segasby**

(10) **Patent No.:** **US D631,671 S**  
(45) **Date of Patent:** **\*\* Feb. 1, 2011**

(54) **COAT HANGER**

(75) Inventor: **Mark Segasby, Kirby Muxloe (GB)**

(73) Assignee: **Phineas Products Limited, Bristol, Avon (GB)**

(\*\*) Term: **14 Years**

(21) Appl. No.: **29/366,116**

(22) Filed: **Jul. 20, 2010**

(51) **LOC (9) Cl.** ..... **06-08**

(52) **U.S. Cl.** ..... **D6/315**

(58) **Field of Classification Search** ..... D6/315,  
D6/317, 318, 319, 328; 211/1, 13.1, 85.3,  
211/86.01; 223/85-98

See application file for complete search history.

(56) **References Cited**

**U.S. PATENT DOCUMENTS**

D296,046 S \* 6/1988 Marshall ..... D6/315  
4,823,962 A \* 4/1989 Arias ..... 211/34  
4,978,043 A \* 12/1990 Uke ..... 223/88

D324,781 S \* 3/1992 Uke ..... D6/315  
D342,612 S \* 12/1993 McIntyre ..... D6/315  
7,219,821 B2 \* 5/2007 Weal et al. .... 223/85  
D553,864 S \* 10/2007 Weal et al. .... D6/315

\* cited by examiner

*Primary Examiner*—Shanda C Hill

(74) *Attorney, Agent, or Firm*—King & Schickli, PLLC

(57) **CLAIM**

The ornamental design of a coat hanger, as shown and described.

**DESCRIPTION**

FIG. 1 is a front view of a coat hanger showing my new design;

FIG. 2 is a front perspective thereof;

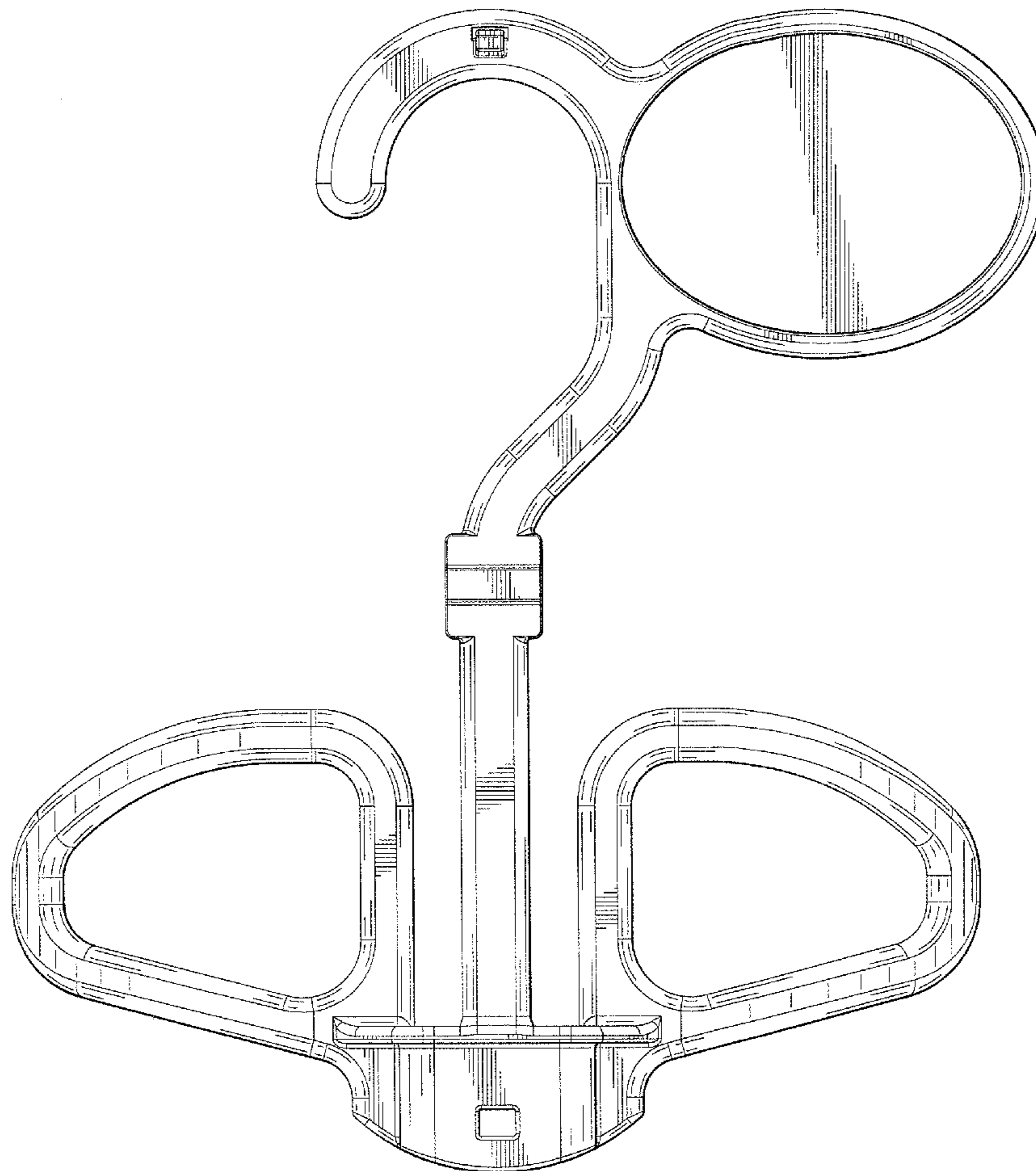
FIG. 3 is a rear perspective thereof;

FIG. 4 is a side view thereof;

FIG. 5 is a top view thereof; and,

FIG. 6 is a bottom view thereof.

**1 Claim, 5 Drawing Sheets**



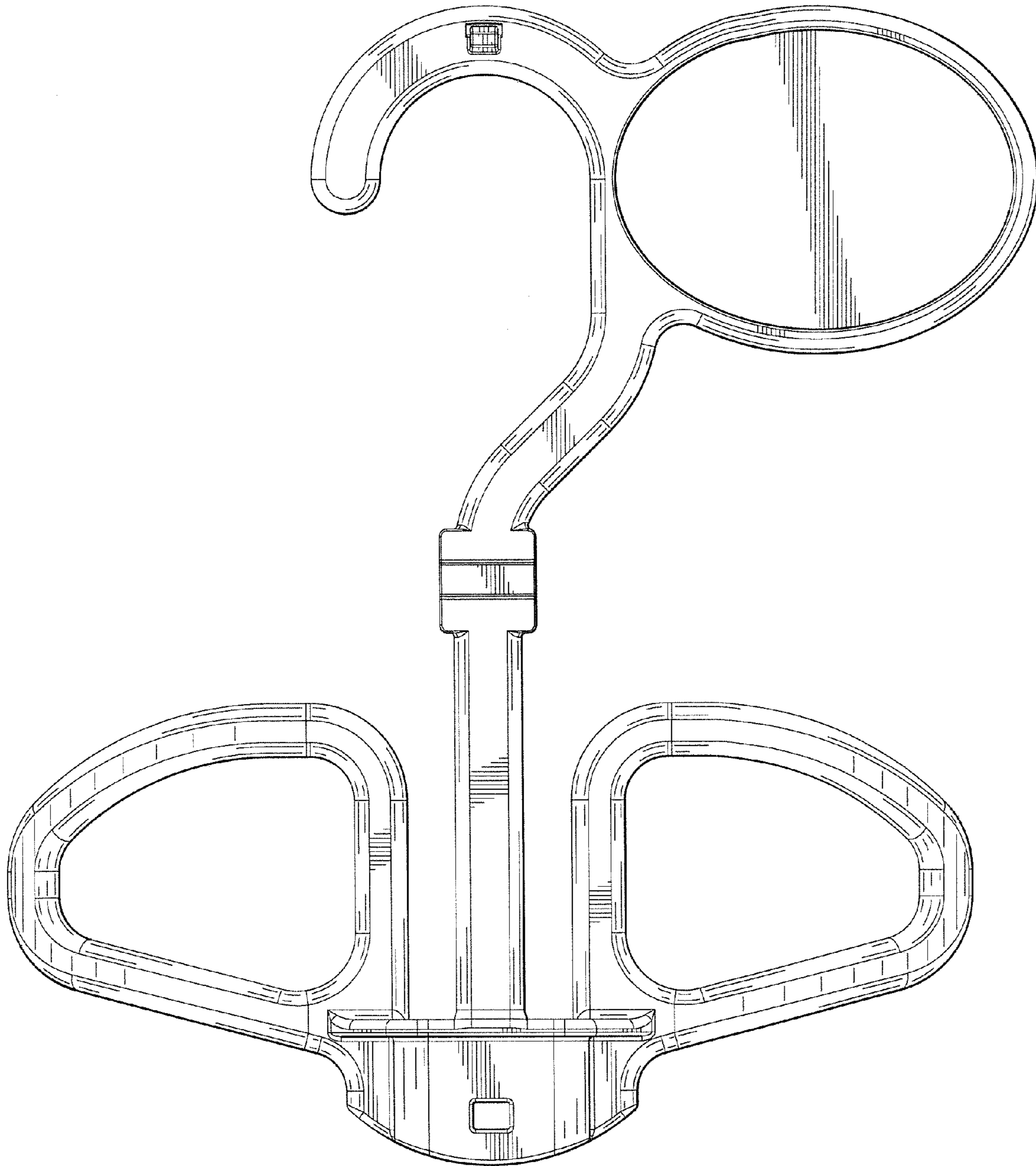


FIG. 1

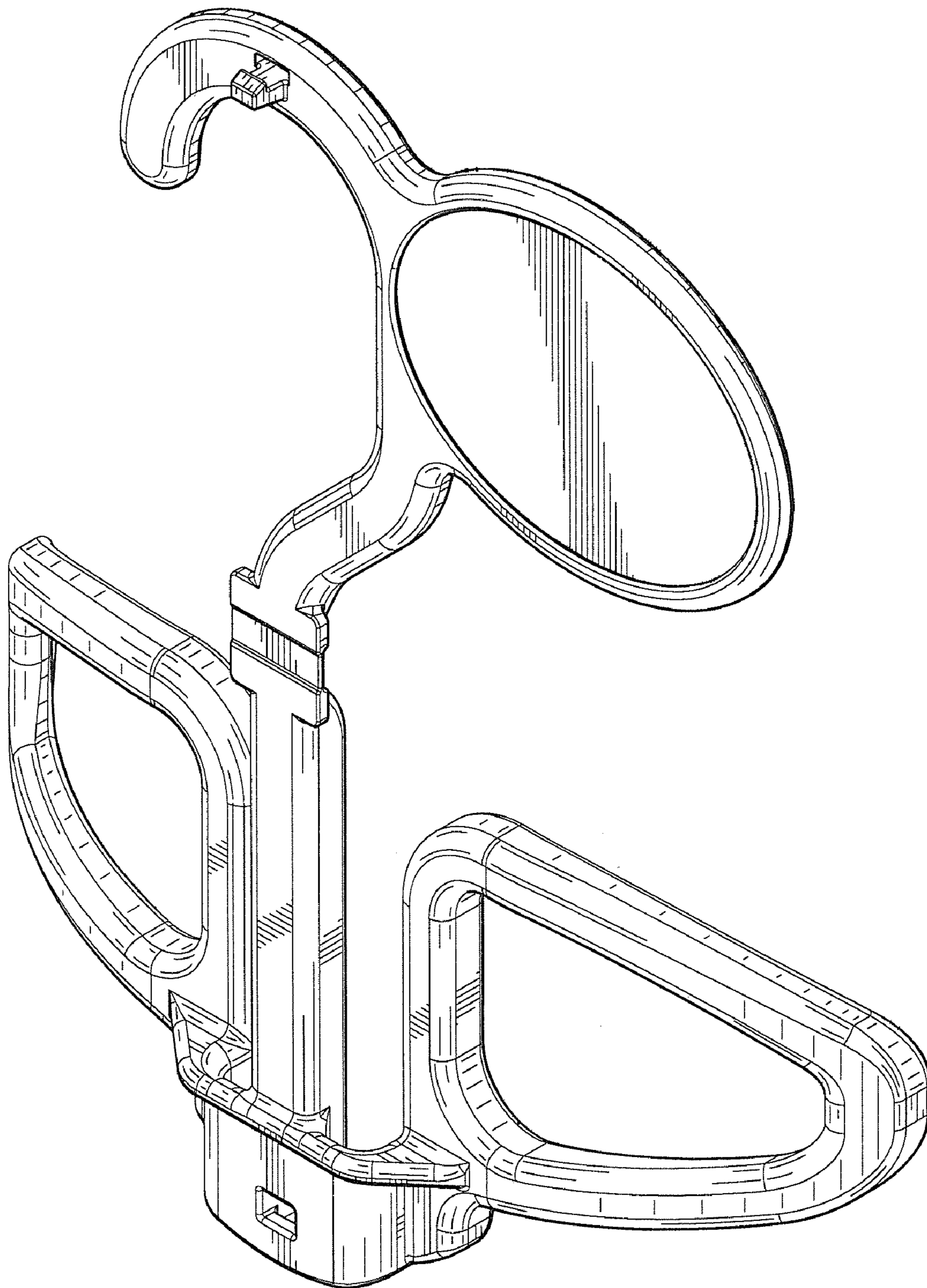


FIG. 2

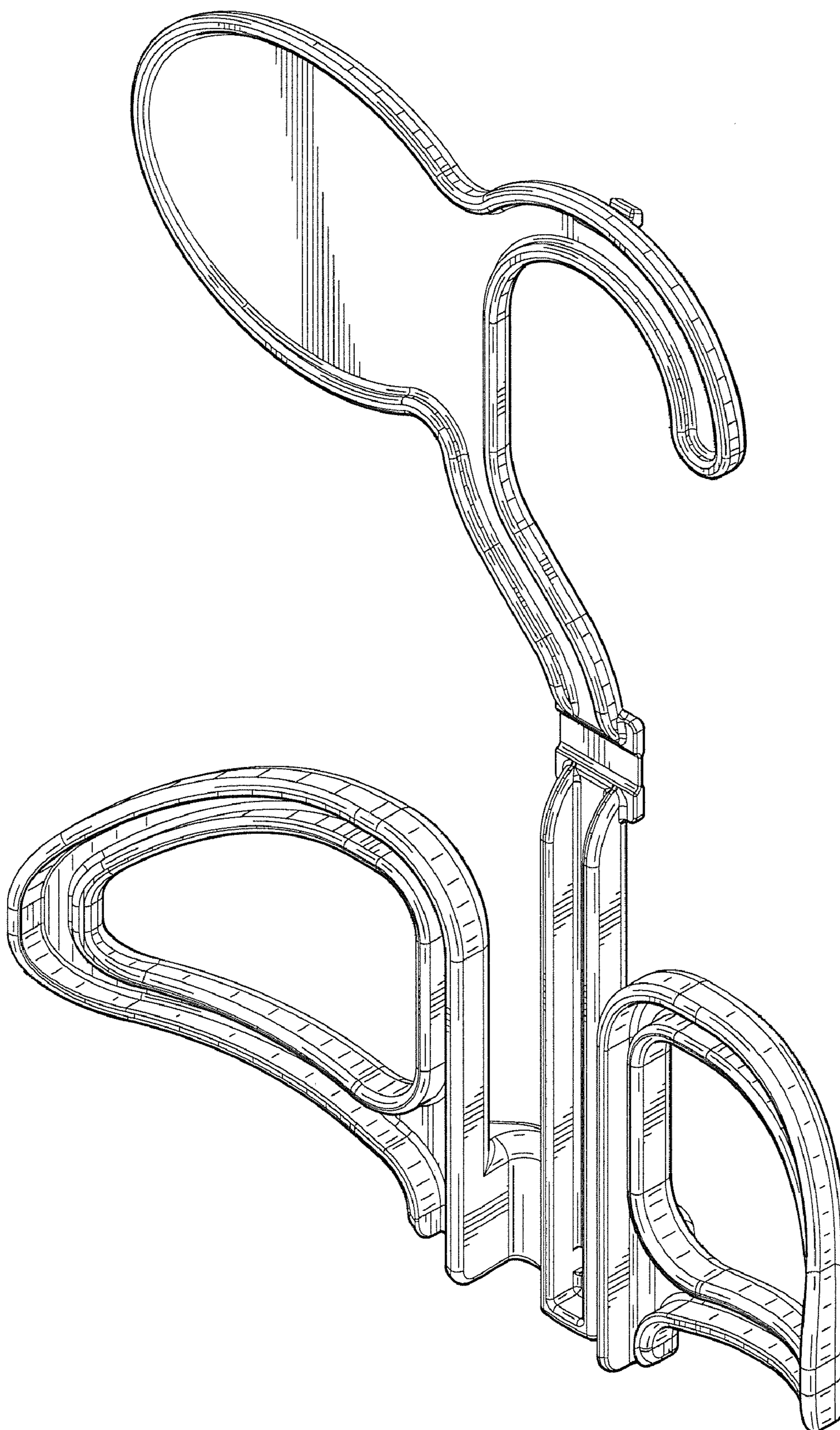


FIG. 3

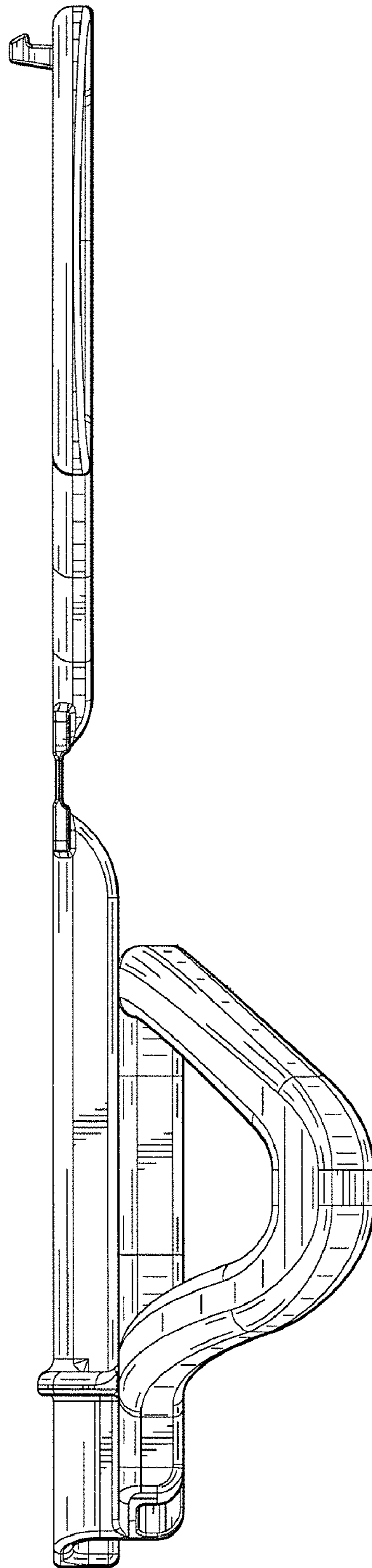


FIG. 4

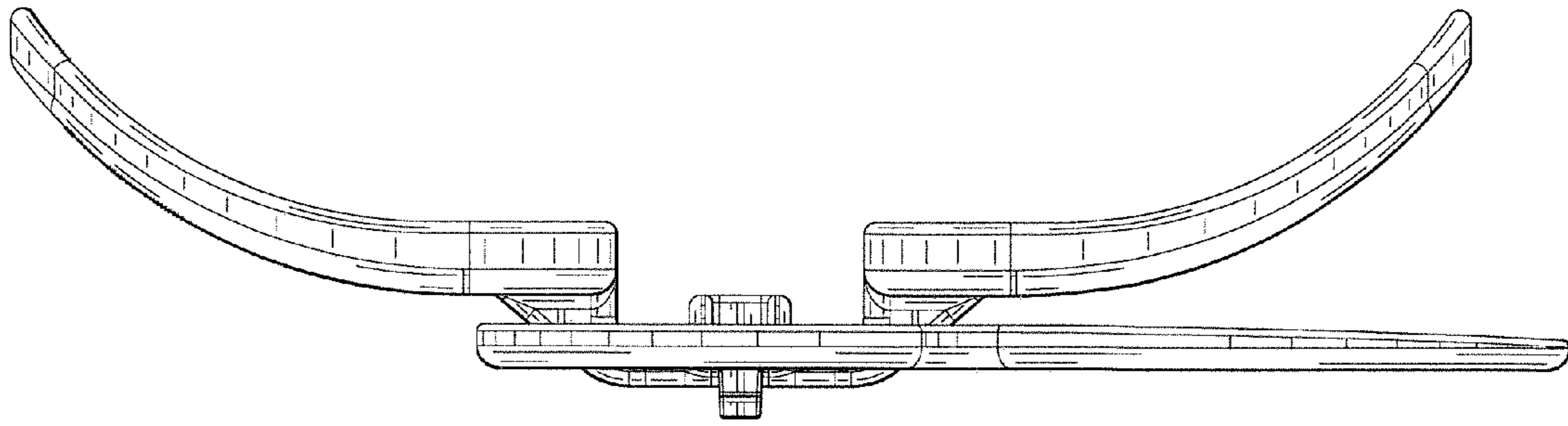


FIG. 5

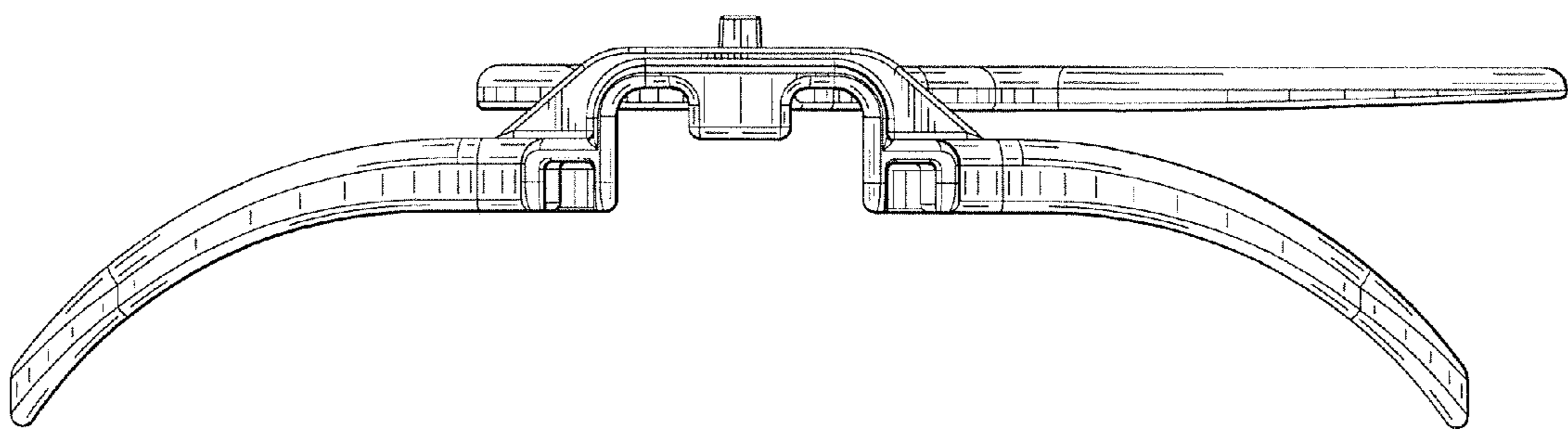


FIG. 6