



US00D631662S

(12) **United States Design Patent**
Tiedemann

(10) **Patent No.:** **US D631,662 S**

(45) **Date of Patent:** **** Feb. 1, 2011**

(54) **PORTABLE WELDING KIT CONTAINER**

(75) Inventor: **Robert Tiedemann**, Stamford, CT (US)

(73) Assignee: **Lincoln Global, Inc.**, City of Industry, CA (US)

(**) Term: **14 Years**

(21) Appl. No.: **29/344,631**

(22) Filed: **Oct. 1, 2009**

(51) **LOC (9) Cl.** **03-01**

(52) **U.S. Cl.** **D3/315**

(58) **Field of Classification Search** D3/303,
D3/304, 313, 315; D32/35, 53, 53.1, 54;
206/349, 518, 234, 372; 220/505, 506, 507,
220/508, 752, 756; 224/901, 904
See application file for complete search history.

(56) **References Cited**

U.S. PATENT DOCUMENTS

2,436,887	A	3/1948	Hensley	
D205,483	S *	8/1966	Mixler et al.	D3/315
4,653,638	A *	3/1987	Lackner et al.	206/373
D329,135	S *	9/1992	Embree	D3/308
D346,682	S *	5/1994	Trovato	D3/308
5,437,367	A	8/1995	Martin	
D364,039	S *	11/1995	Kruger	D3/315
5,771,536	A	6/1998	Sieg et al.	
5,836,051	A	11/1998	Myers	
6,062,389	A *	5/2000	Kent	206/518
6,126,003	A	10/2000	Brouard	
6,158,640	A	12/2000	Karp et al.	
6,347,847	B1	2/2002	Tiramani et al.	
6,402,002	B1	6/2002	Benton	

6,450,660	B1	9/2002	Lee	
6,499,187	B2	12/2002	Hollingsworth	
6,547,436	B2 *	4/2003	Sutton	383/18
6,745,895	B2 *	6/2004	Silvers	206/233
7,048,101	B2	5/2006	Godshaw et al.	
D522,751	S *	6/2006	Irwin et al.	D3/315
D523,637	S *	6/2006	Chang	D3/315
D537,251	S *	2/2007	Musgrove	D3/307
7,174,605	B1	2/2007	Nawrocki	
7,311,200	B2	12/2007	Godshaw et al.	
2005/0189388	A1	9/2005	Godshaw et al.	

* cited by examiner

Primary Examiner—Prabhakar Deshmukh

(74) *Attorney, Agent, or Firm*—Hahn Loeser & Parks, LLP;
Keith J. Marcinowski

(57) **CLAIM**

The ornamental design for a portable welding kit container, as shown and described.

DESCRIPTION

FIG. 1 is a perspective view of a portable welding kit container showing my design;

FIG. 2 is a front elevational view thereof;

FIG. 3 is a right side elevational view thereof;

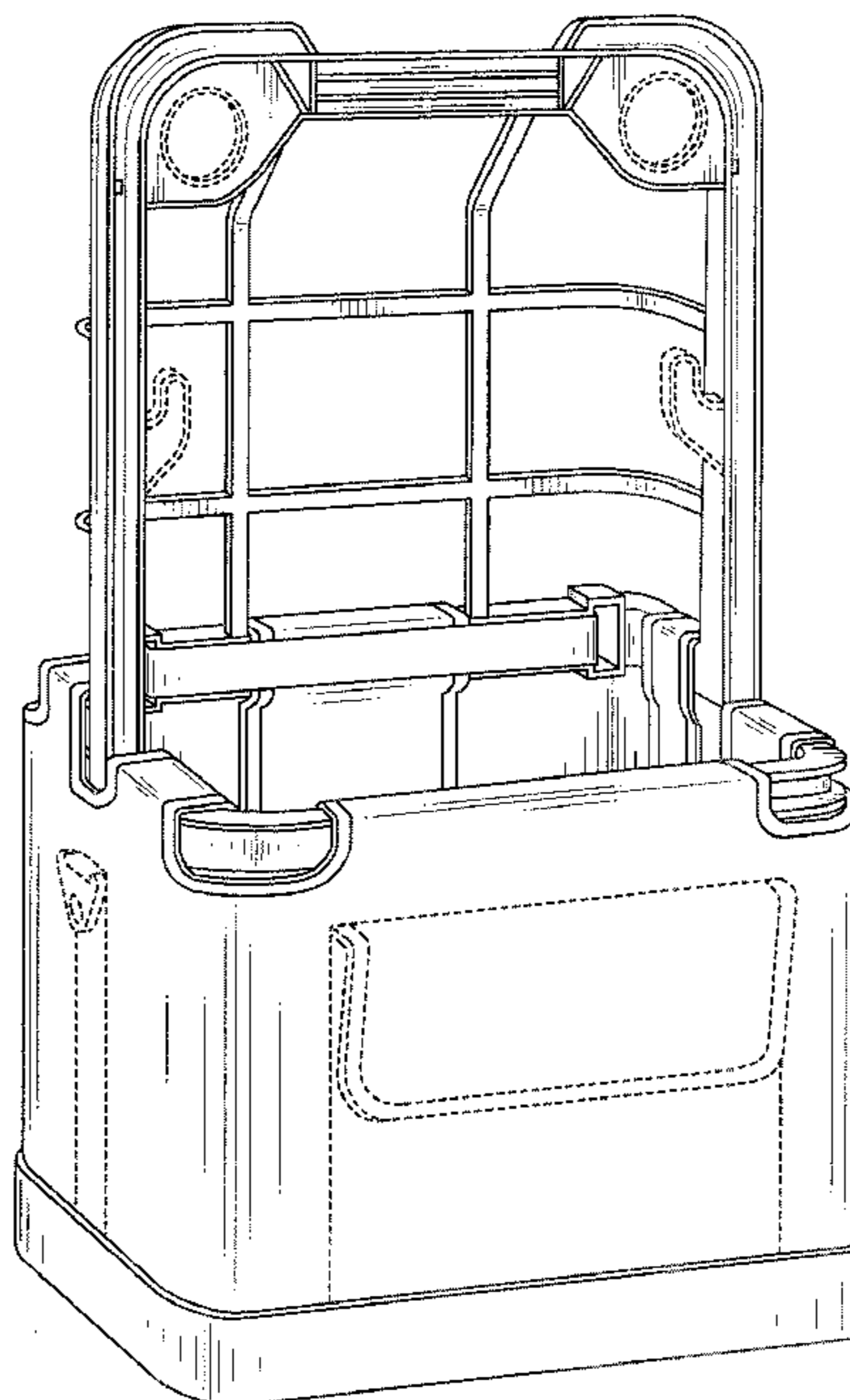
FIG. 4 is a left side elevational view thereof;

FIG. 5 is a rear elevational view thereof; and,

FIG. 6 is a top plan view thereof.

The bottom is unornamented and disclaimed. The broken lines shown in the Figures are for illustrative purposes only and form no part of the claimed invention.

1 Claim, 6 Drawing Sheets



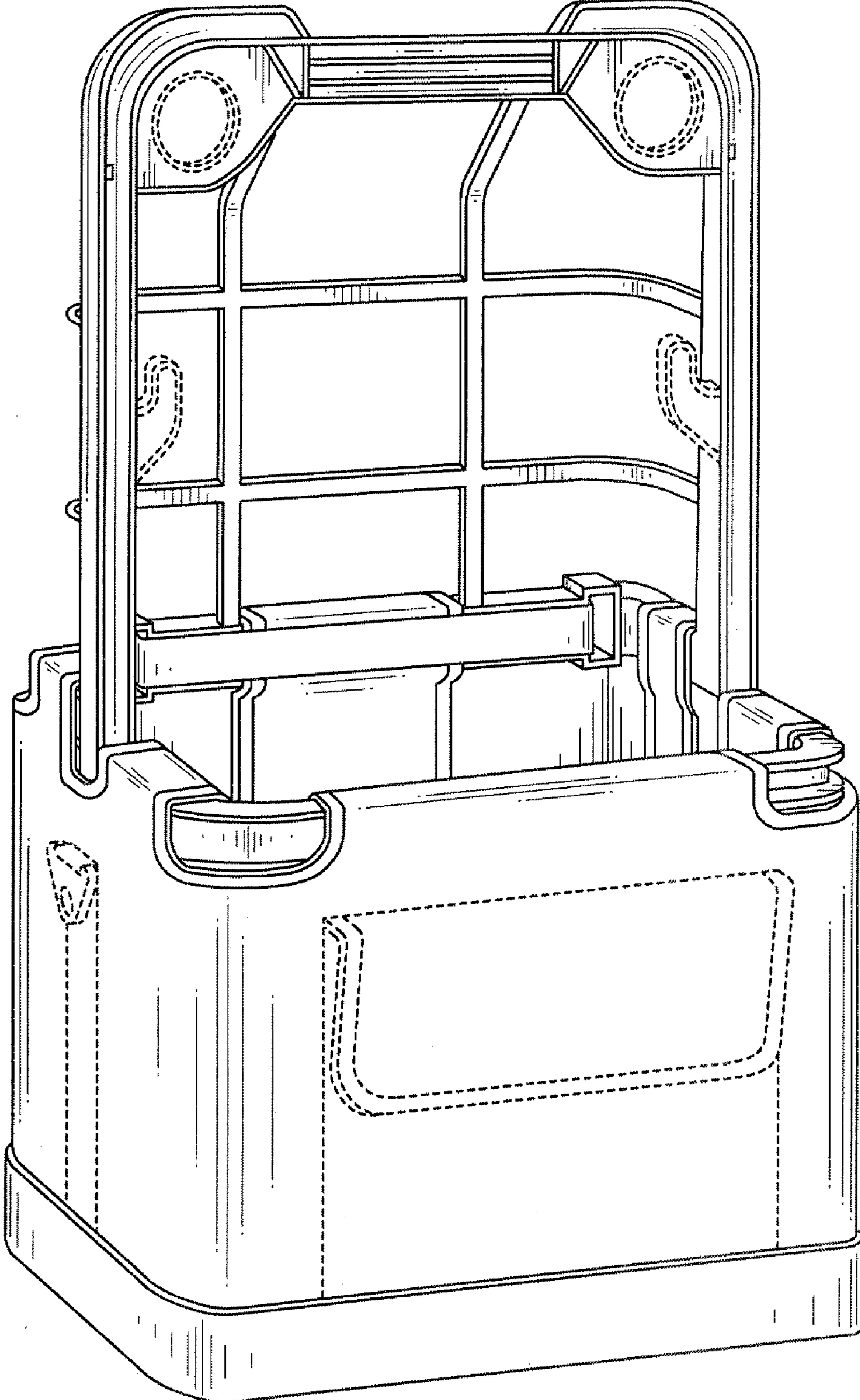


FIG. 1

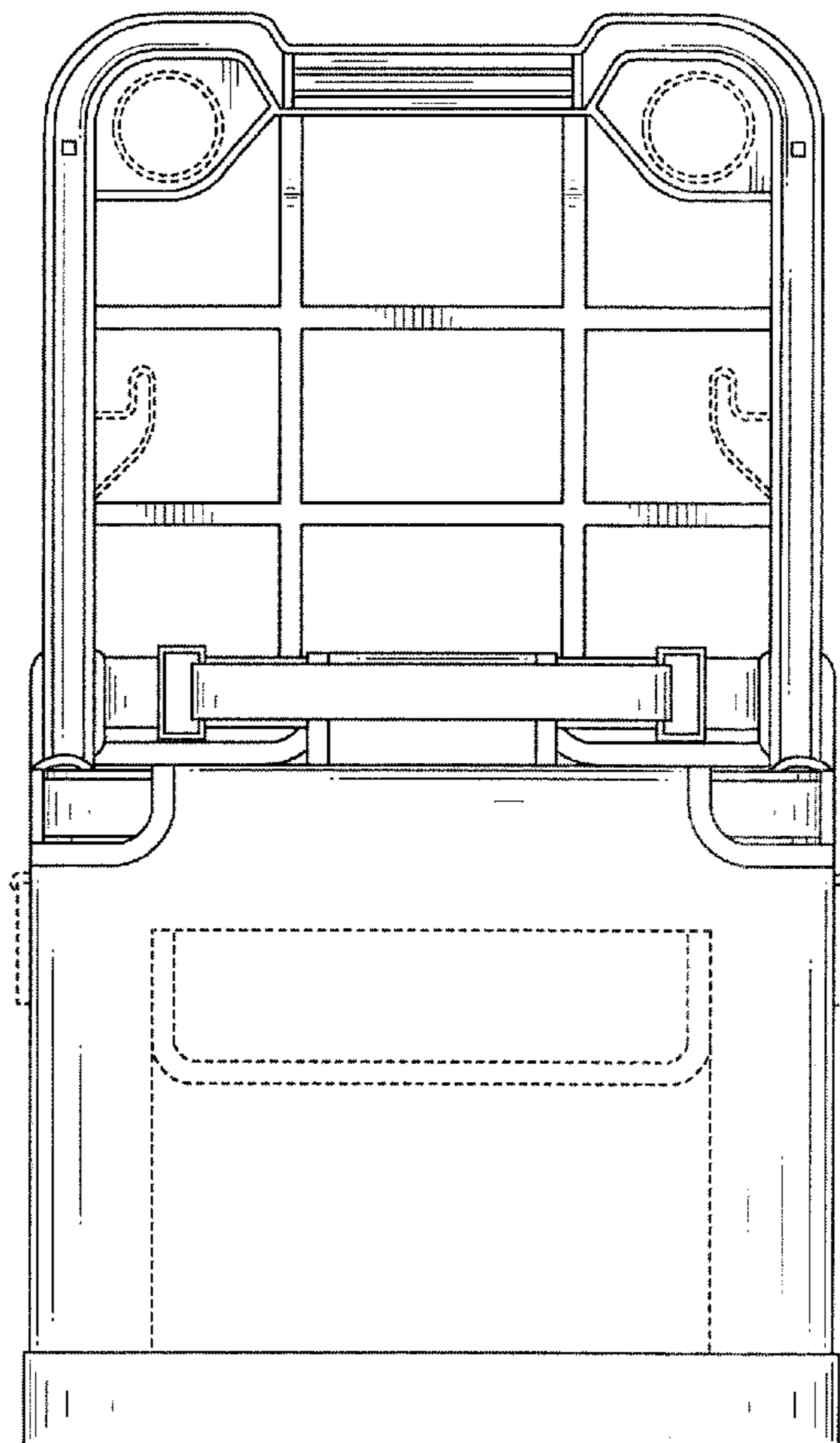


FIG. 2

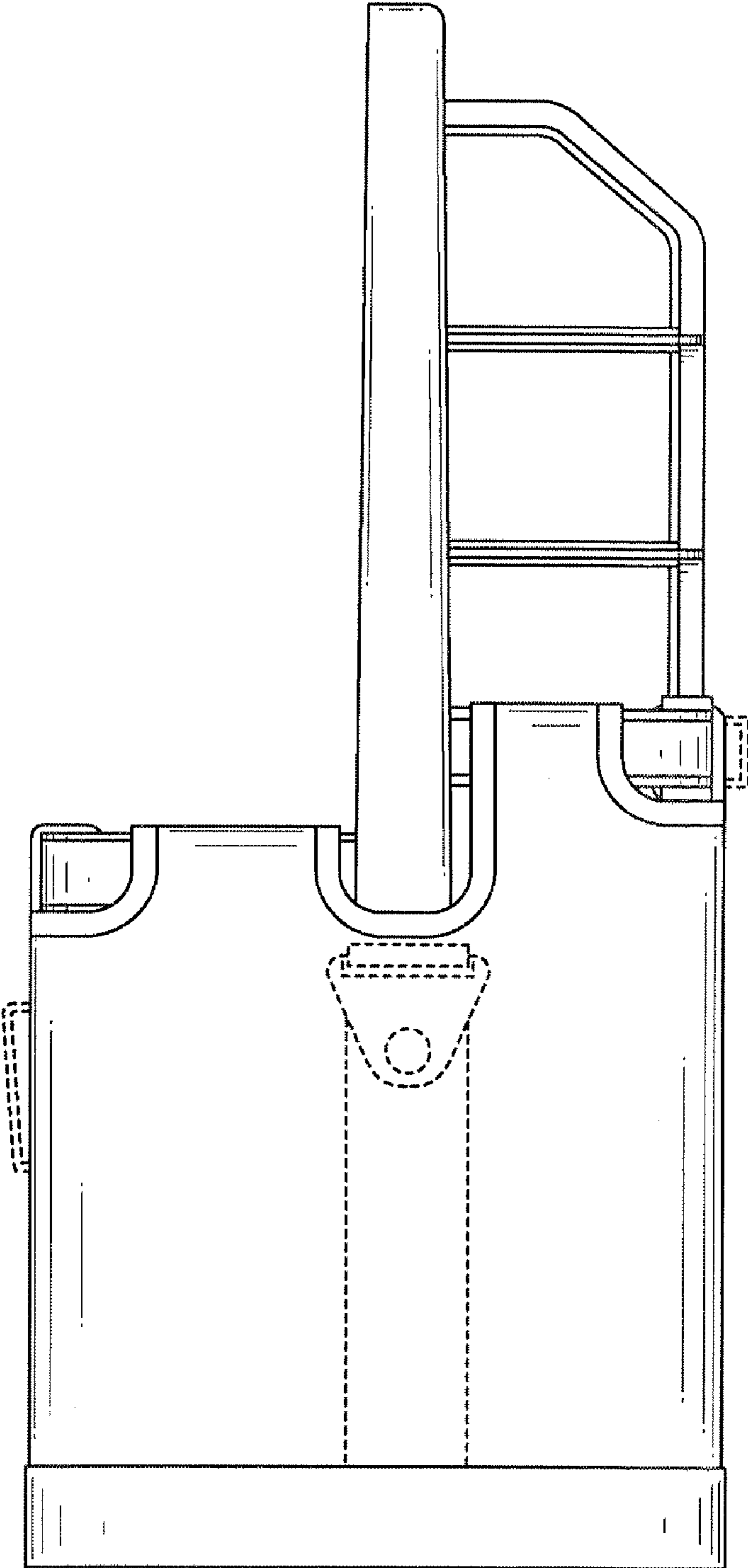


FIG. 3

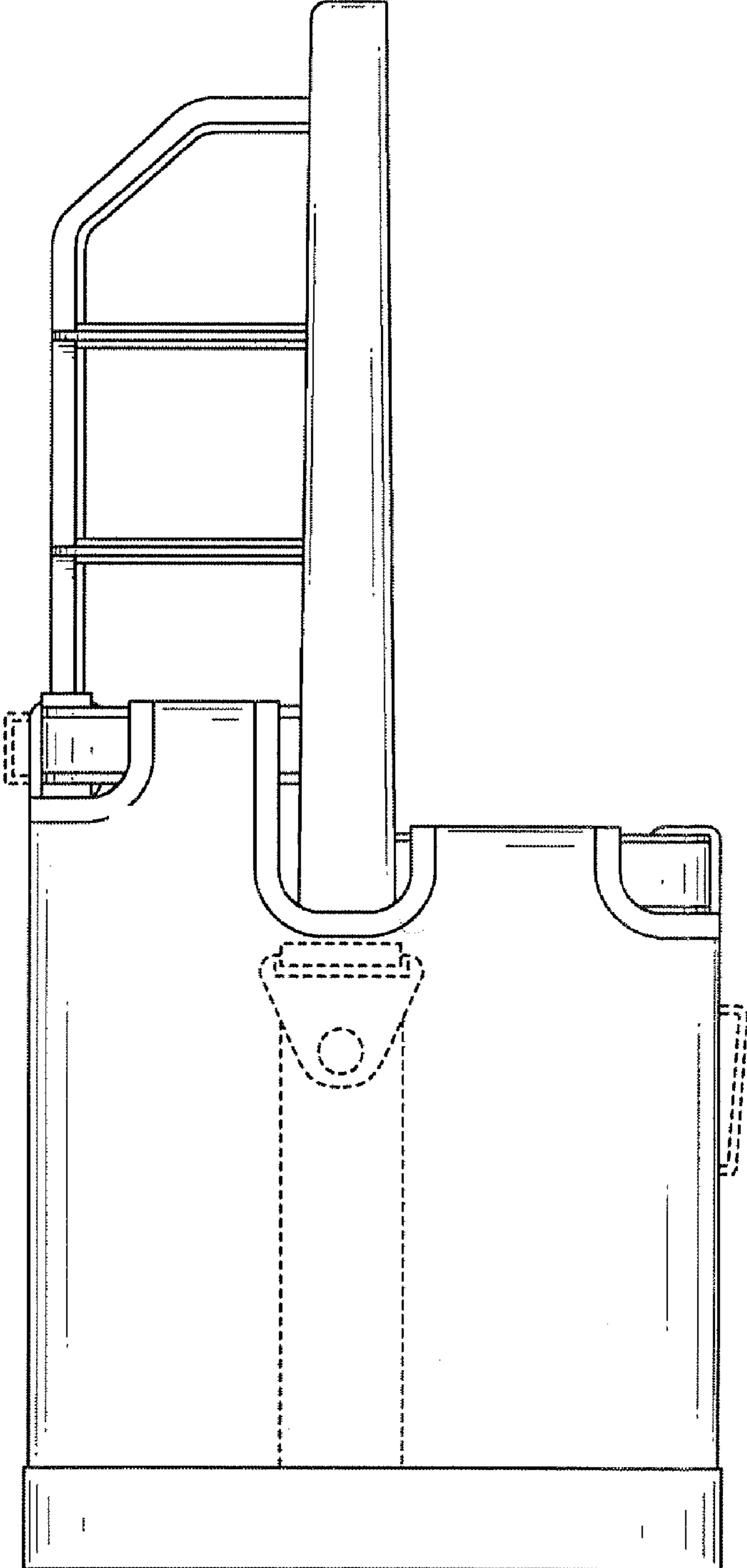


FIG. 4

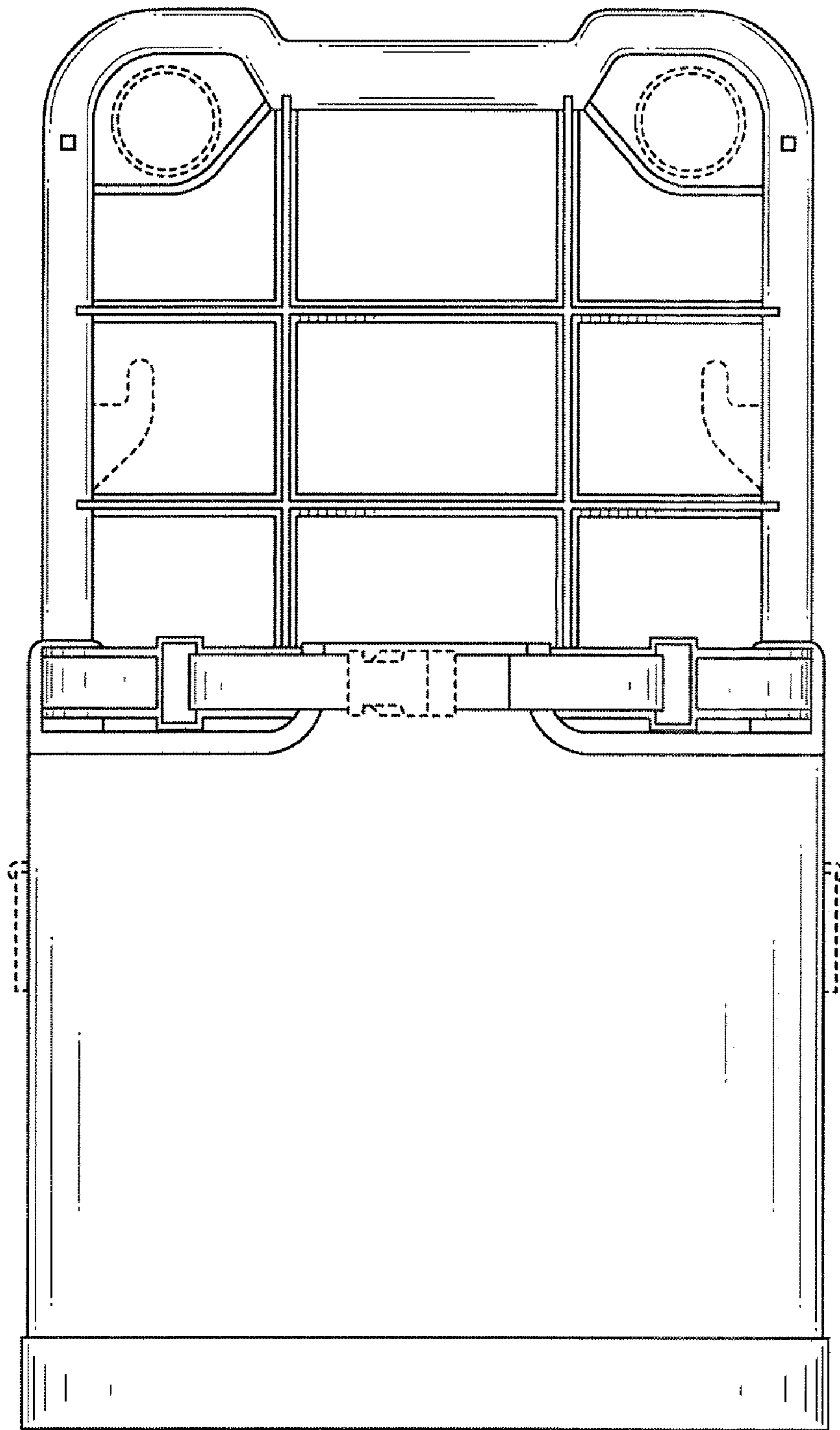


FIG. 5

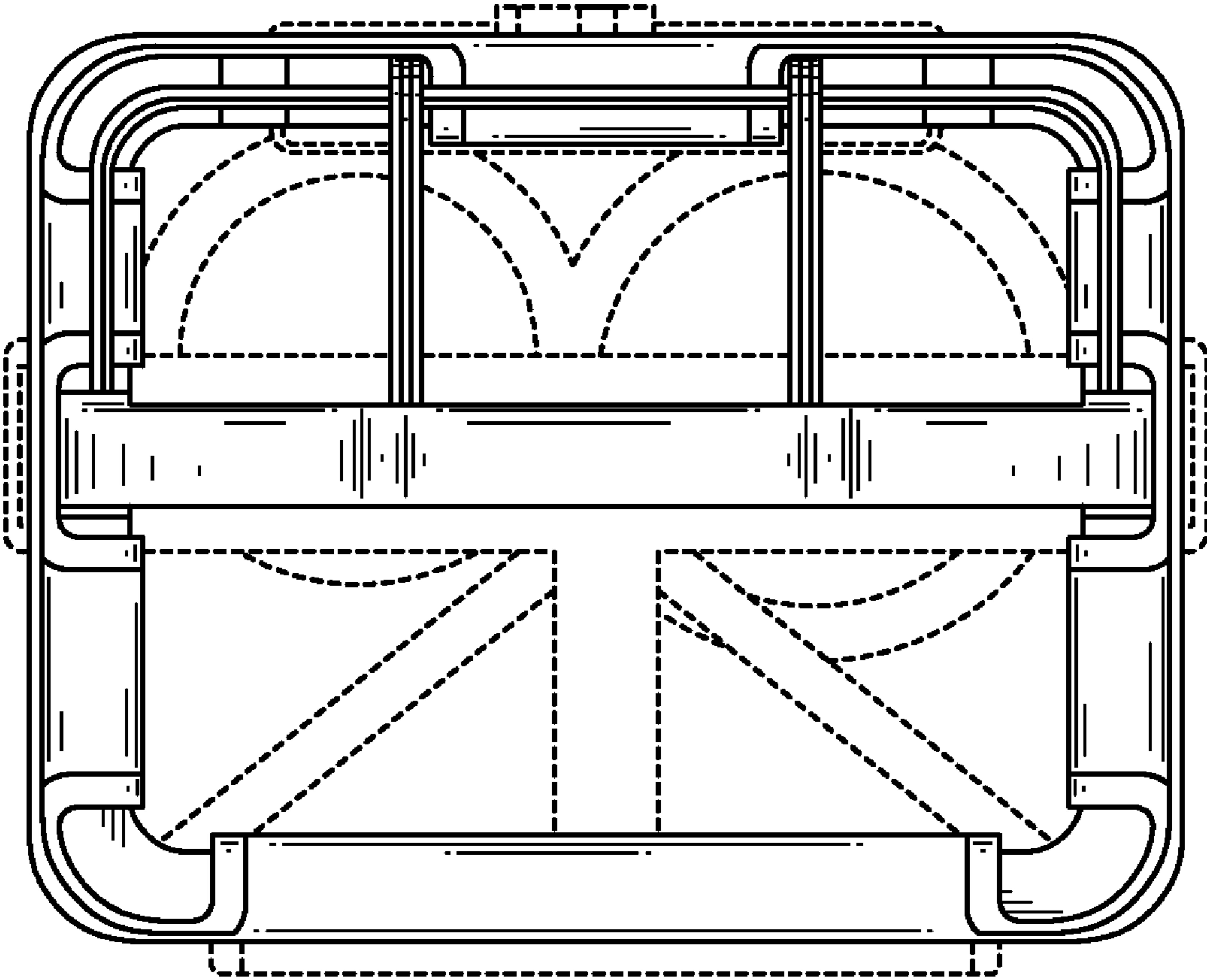


FIG. 6