



US00D631660S

(12) **United States Design Patent**
Lucido

(10) **Patent No.:** **US D631,660 S**
(45) **Date of Patent:** **** Feb. 1, 2011**

(54) **SNOWMAN TIN CONTAINER**

(75) Inventor: **Dominick Lucido**, Smithtown, NY (US)

(73) Assignee: **The Tin Box Company**, Farmingdale, NY (US)

(**) Term: **14 Years**

(21) Appl. No.: **29/361,015**

(22) Filed: **May 4, 2010**

(51) **LOC (9) Cl.** **03-02**

(52) **U.S. Cl.** **D3/271.1**

(58) **Field of Classification Search** D3/216,
D3/269, 270, 271.1; D9/600, 617; D99/39;
D11/117, 121, 127, 128

See application file for complete search history.

(56) **References Cited**

U.S. PATENT DOCUMENTS

D172,468 S *	6/1954	Griselle	D99/39
D192,388 S *	3/1962	De Kolb	D9/617
D305,832 S *	2/1990	Pence	D3/270
D351,340 S *	10/1994	Drummond et al.	D9/617
D370,410 S *	6/1996	Kroll	D9/617
D384,595 S *	10/1997	Hartwell-Ruland	D11/121
D426,432 S *	6/2000	Saddler	D8/1
D456,219 S *	4/2002	Kracke	D7/613
D550,587 S *	9/2007	Limber	D11/128

* cited by examiner

Primary Examiner—Ian Simmons

Assistant Examiner—Charles D Hanson

(74) *Attorney, Agent, or Firm*—Cozen O'Connor

(57) **CLAIM**

I claim the ornamental design for a snowman tin container, as shown and described.

DESCRIPTION

FIG. 1 illustrates a top perspective view of a snowman tin container of the present invention;

FIG. 2 illustrates a front view of the snowman tin container;

FIG. 3 illustrates a back view of the snowman tin container;

FIG. 4 illustrates a right side view of the snowman tin container;

FIG. 5 illustrates a left side view of the snowman tin container;

FIG. 6 illustrates a top view of the snowman tin container;

FIG. 7 illustrates a bottom view of the snowman tin container;

FIG. 8 illustrates a top perspective view of an open snowman tin container

FIG. 9 illustrates a front view of the open snowman tin container;

FIG. 10 illustrates a back view of the open snowman tin container;

FIG. 11 illustrates a right side view of the open snowman tin container;

FIG. 12 illustrates a left side view of the open snowman tin container;

FIG. 13 illustrates a top view of the open snowman tin container; and,

FIG. 14 illustrates a bottom view of the open snowman tin container.

The broken lines of FIGS. 1-14 are for illustrative purposes only and form no part of the claimed design.

1 Claim, 14 Drawing Sheets

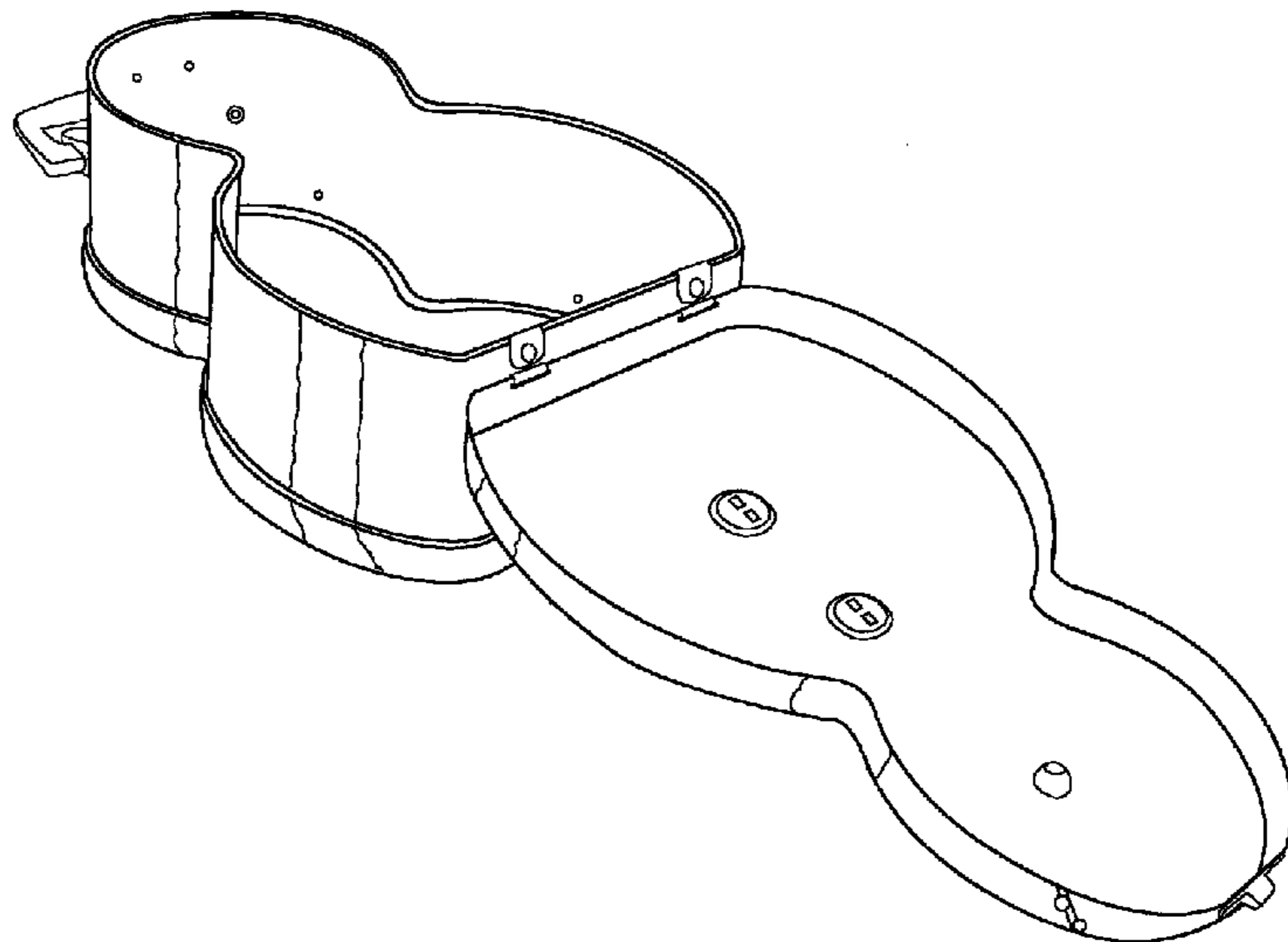
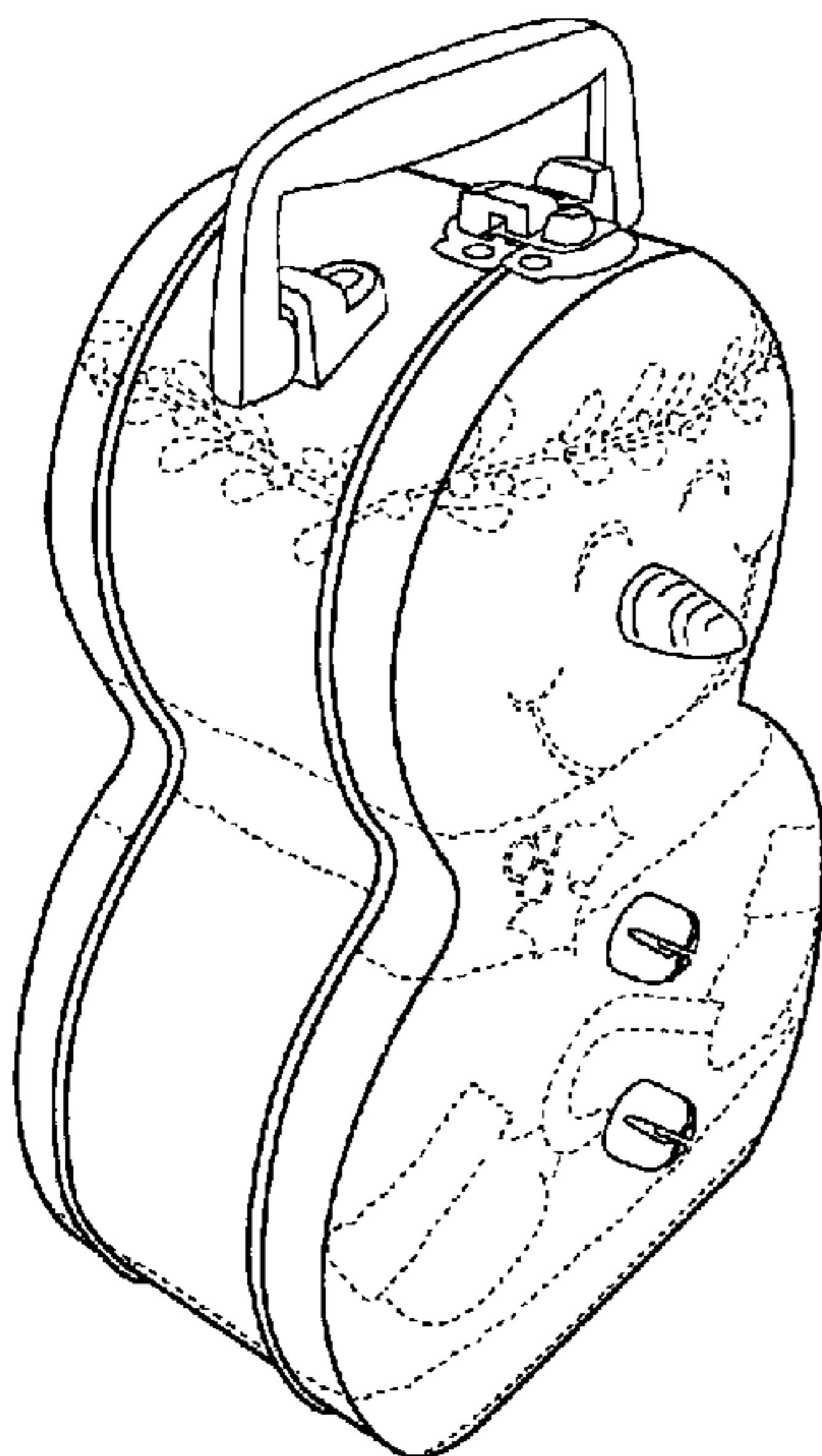


FIGURE 1

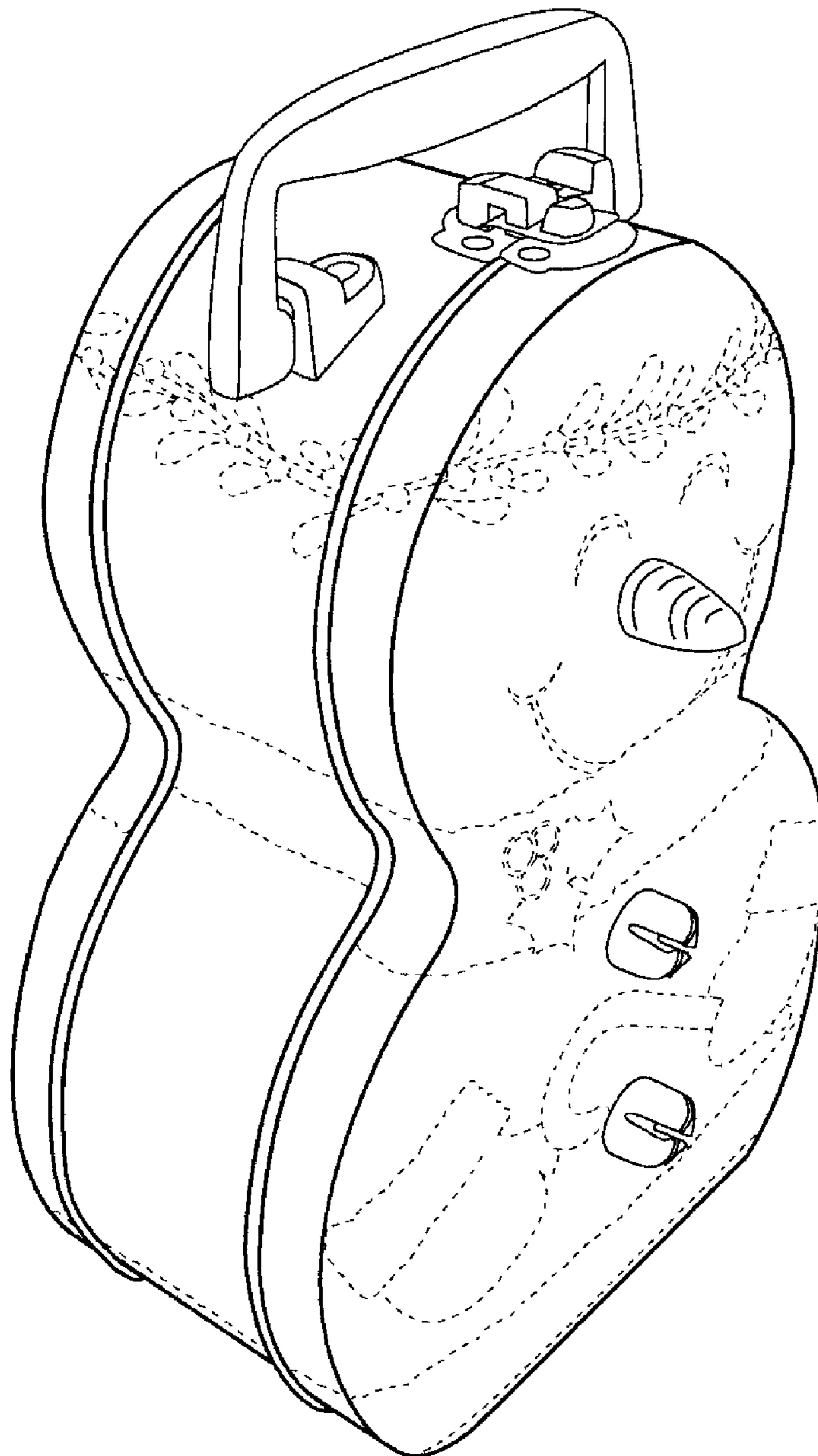


FIGURE 2

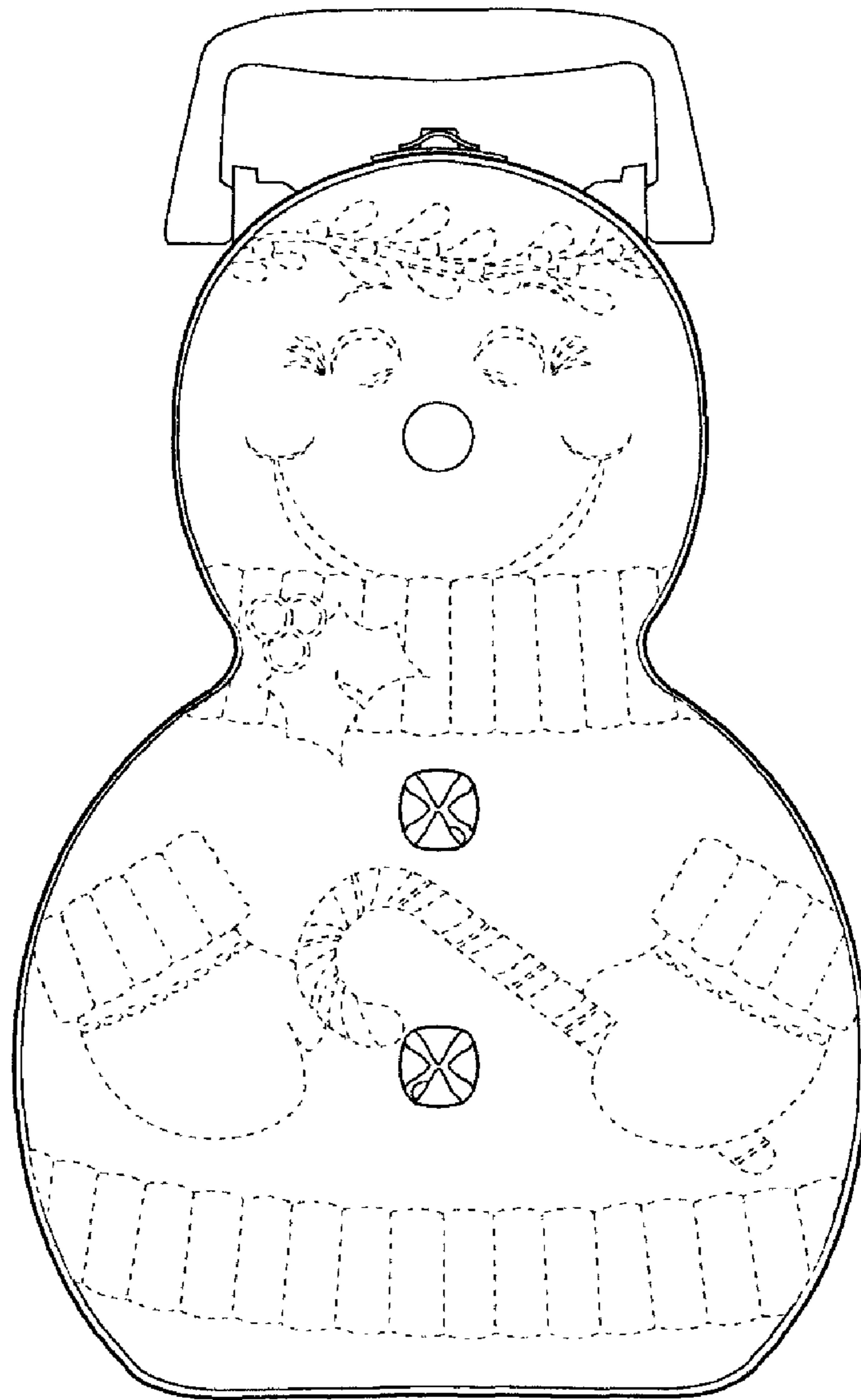


FIGURE 3

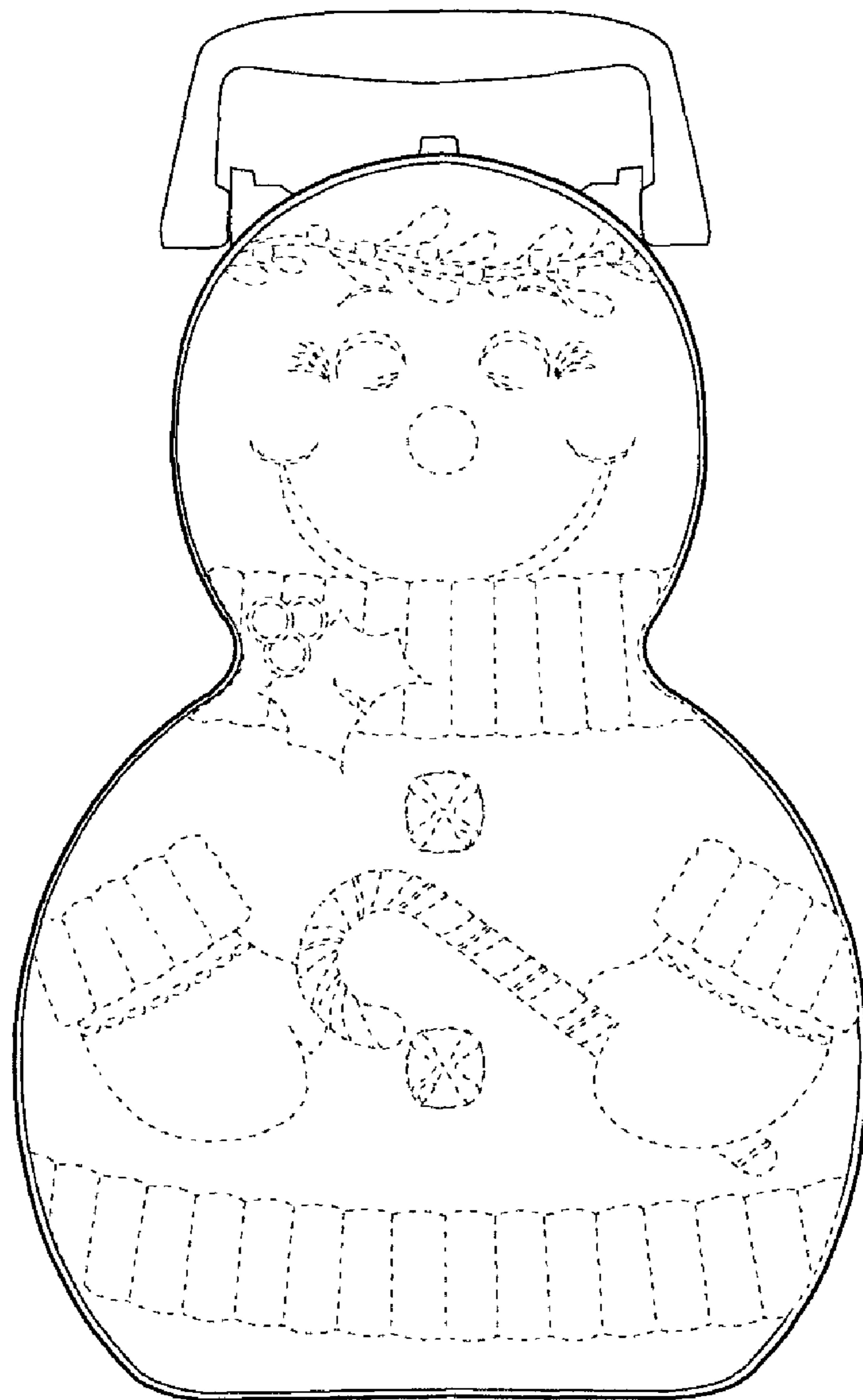


FIGURE 4

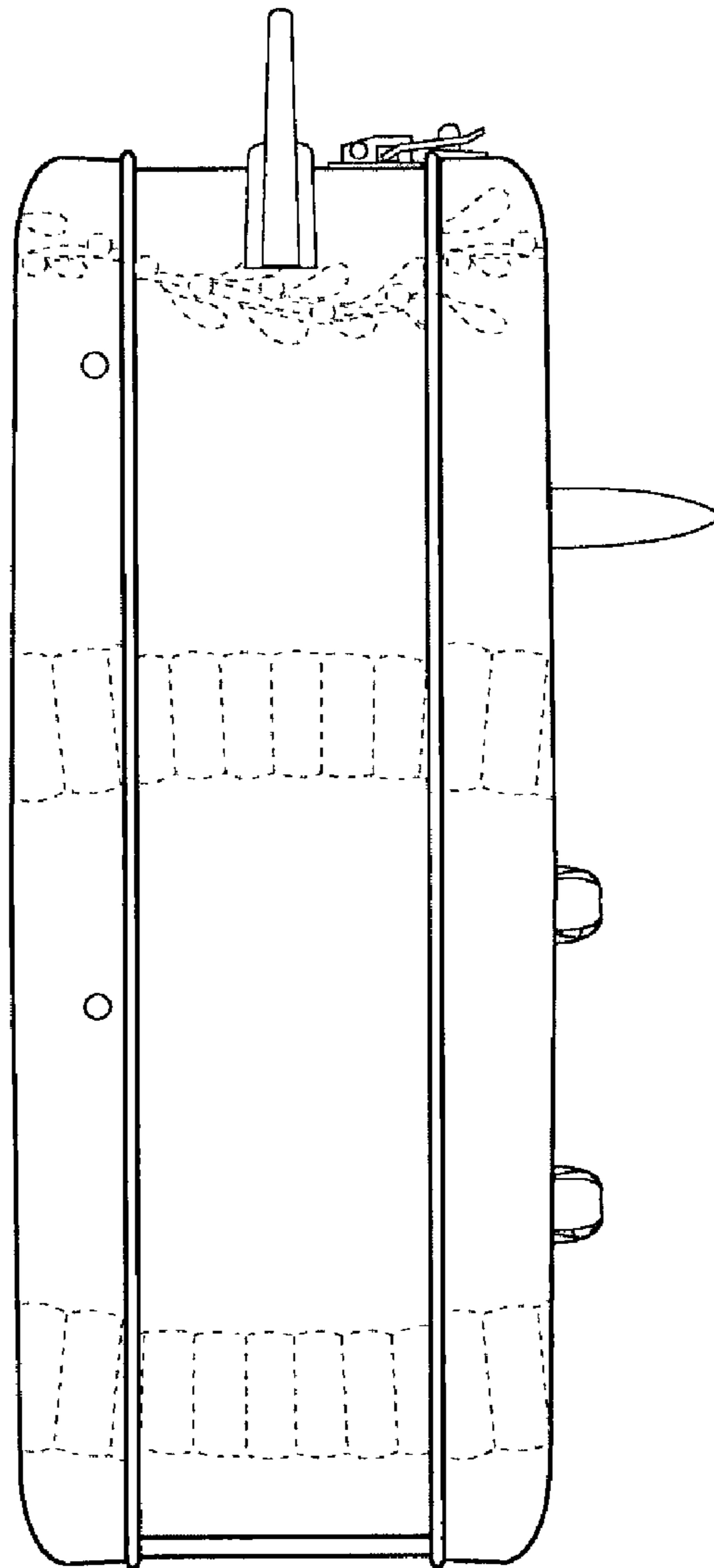


FIGURE 5

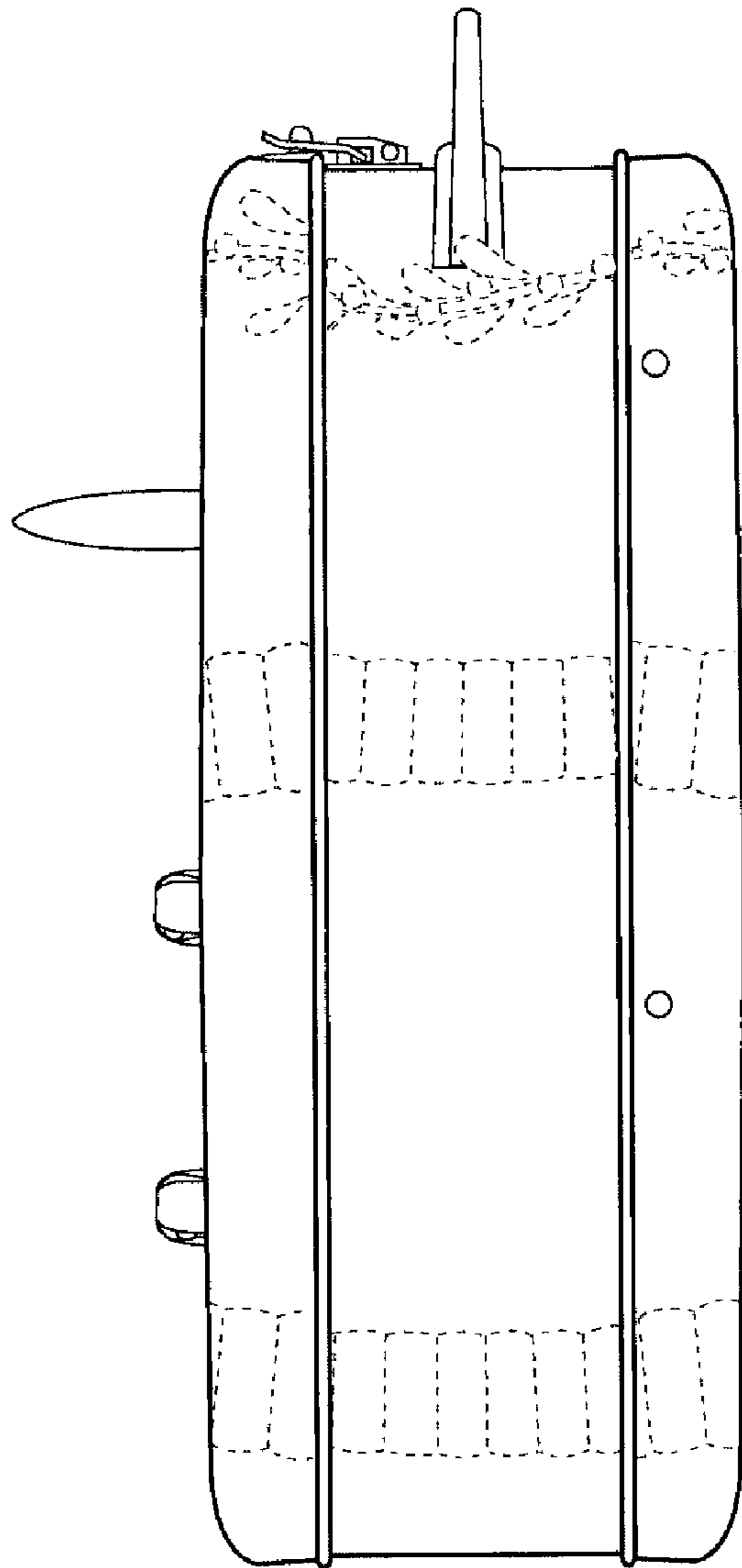


FIGURE 6

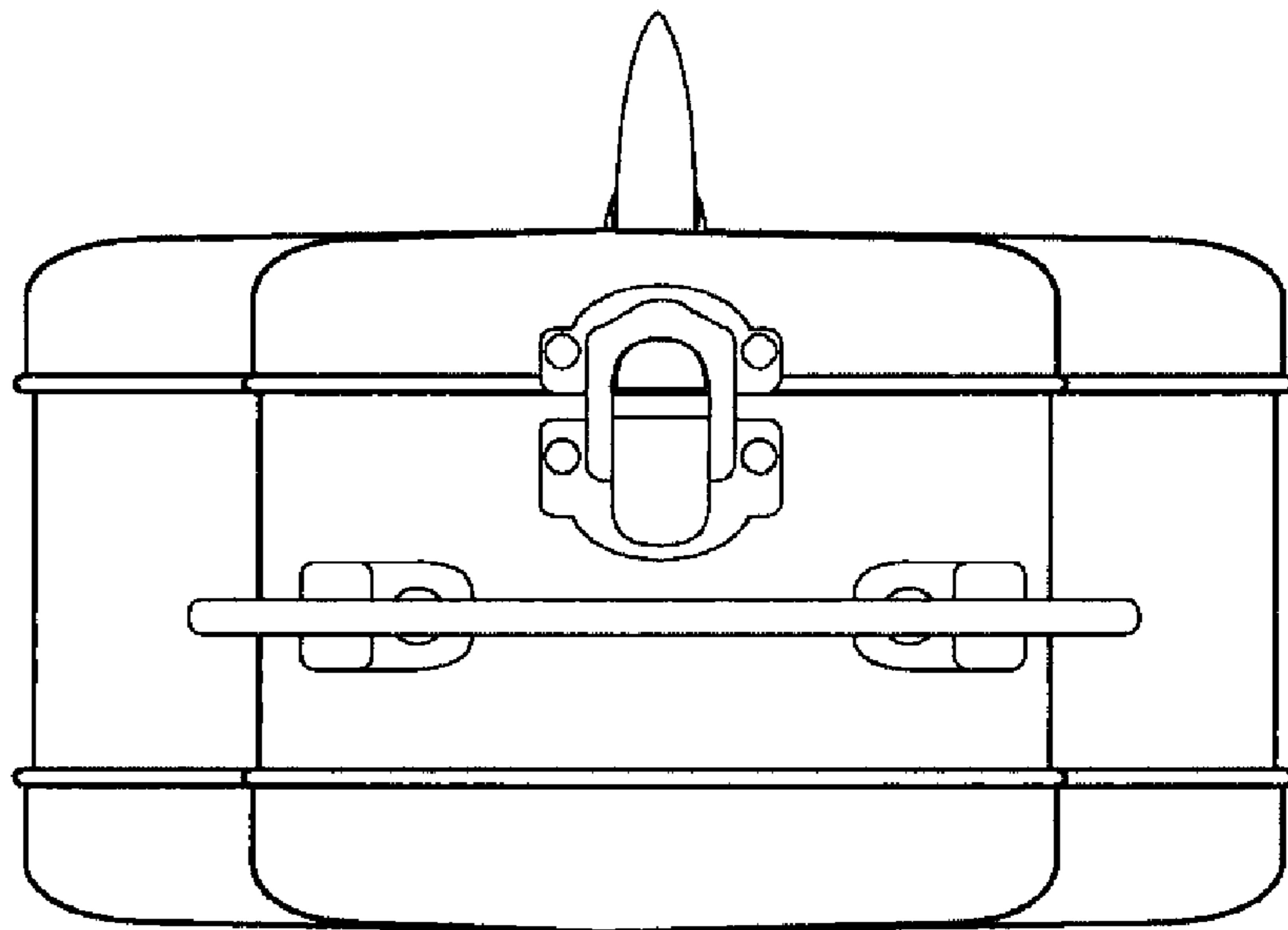


FIGURE 7

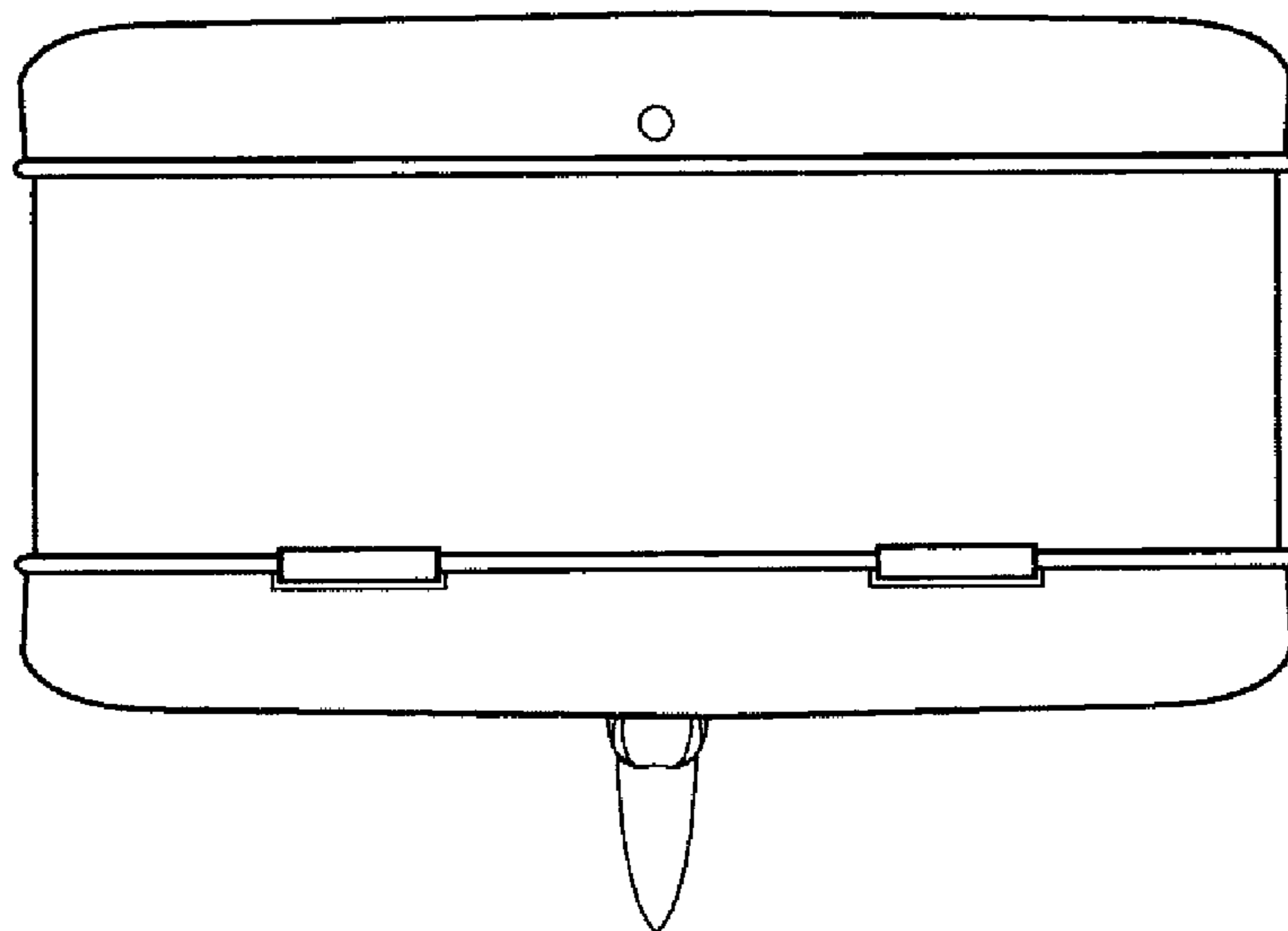


FIGURE 8

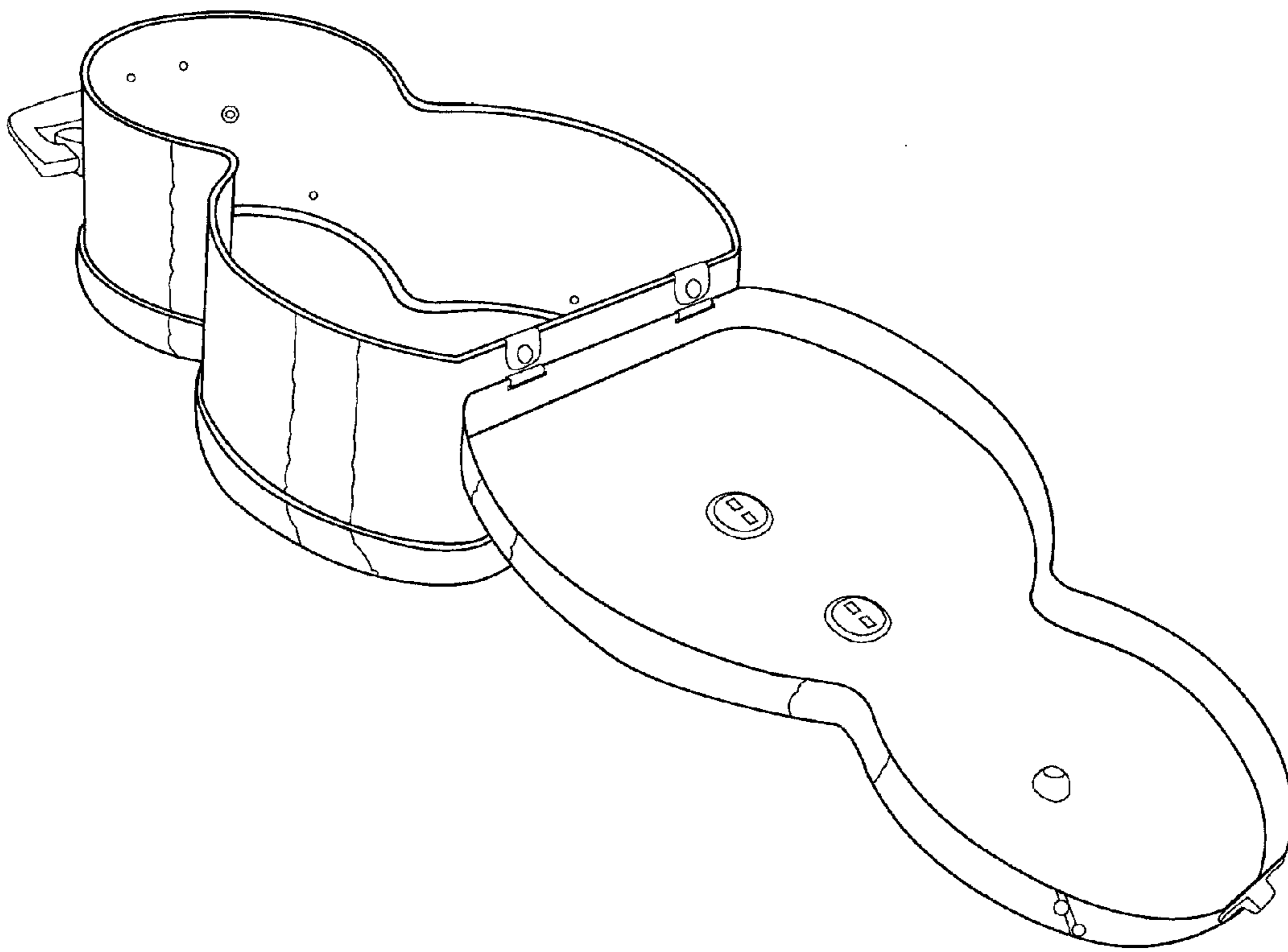


FIGURE 9

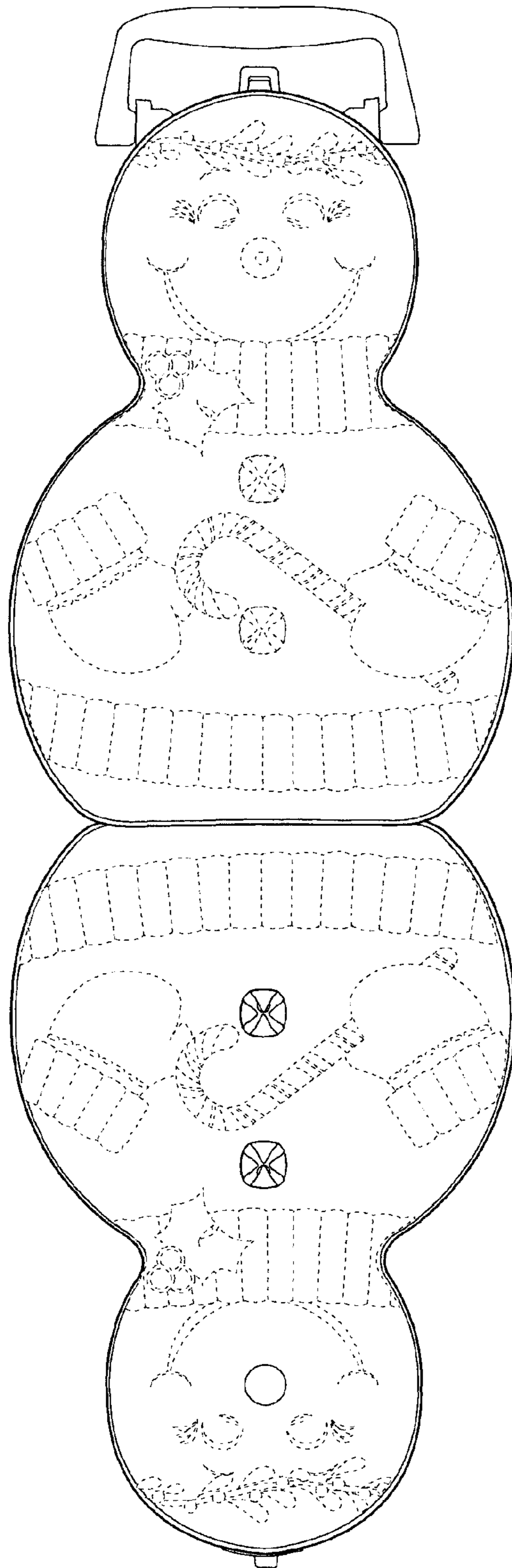


FIGURE 10

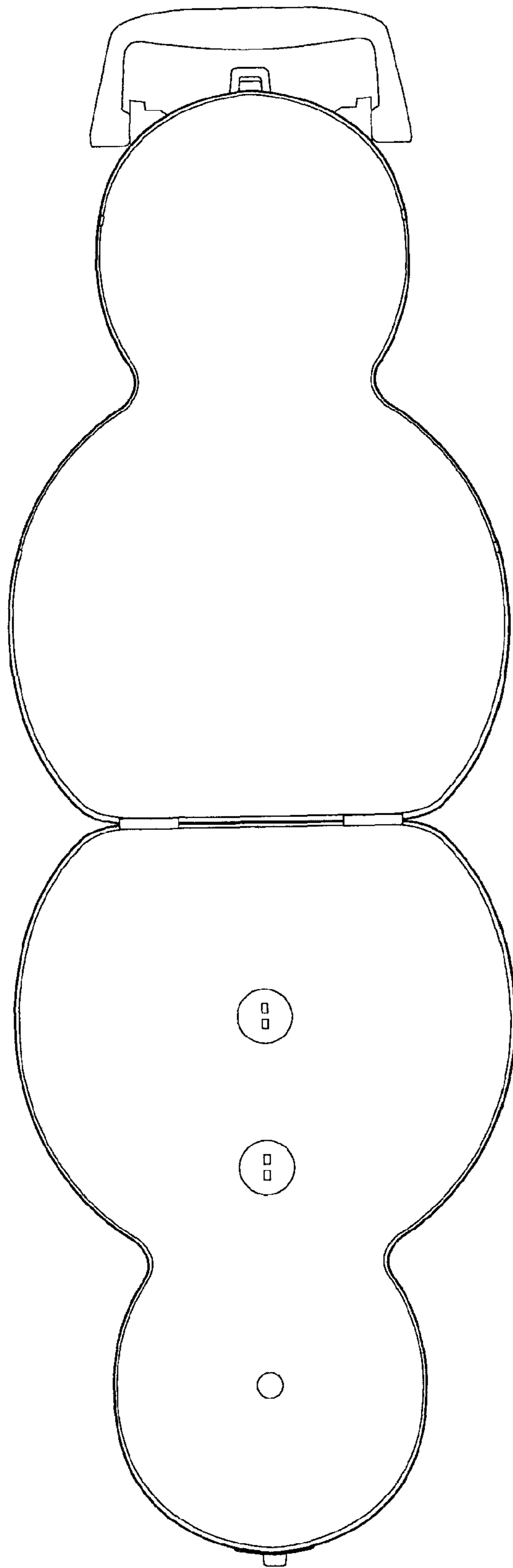


FIGURE 11

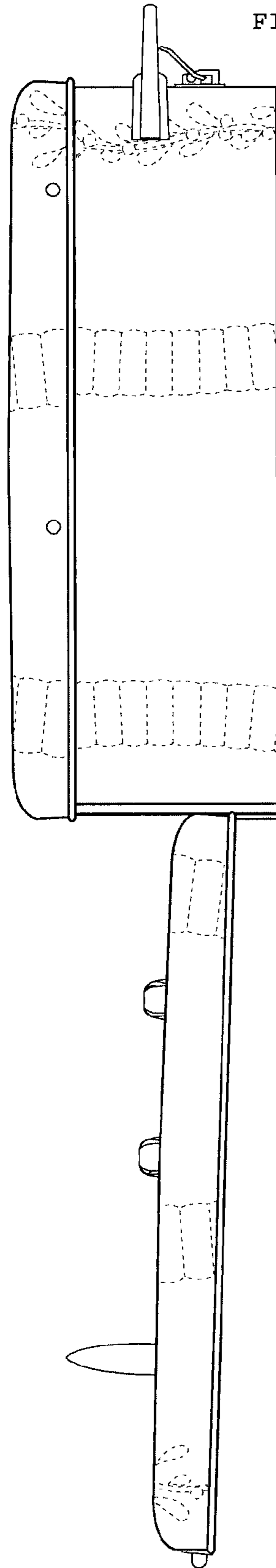


FIGURE 12

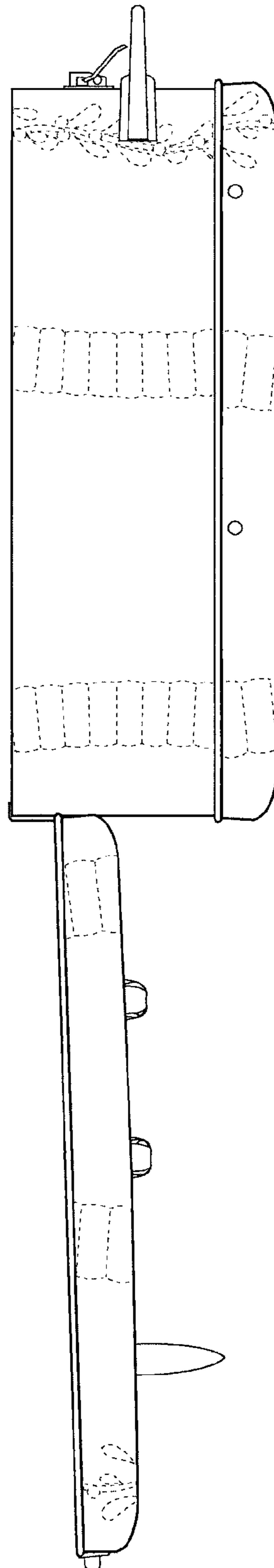


FIGURE 13

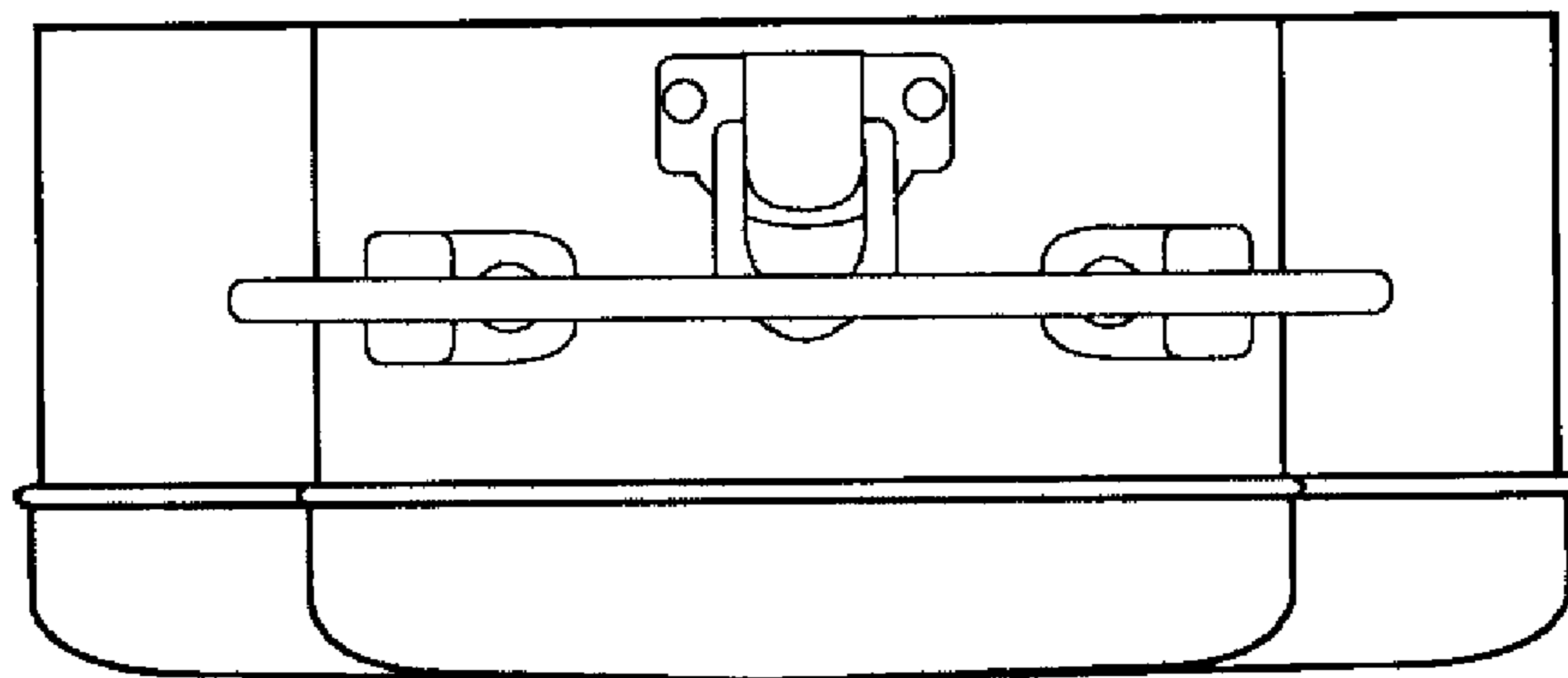


FIGURE 14

