



US00D631658S

(12) **United States Design Patent**
Jacovides et al.

(10) **Patent No.:** **US D631,658 S**
(45) **Date of Patent:** **** Feb. 1, 2011**

(54) **IDENTIFICATION CARD HOLDER**

(76) Inventors: **Thrasos K. Jacovides**, 473 Berrian St.,
Pomona, CA (US) 91767; **David A.**
Jacovides, 473 Berrian St., Pomona, CA
(US) 91767

(**) Term: **14 Years**

(21) Appl. No.: **29/364,438**

(22) Filed: **Jun. 23, 2010**

(51) **LOC (9) Cl.** **03-01**

(52) **U.S. Cl.** **D3/247**

(58) **Field of Classification Search** D19/1-10,
D19/75, 86, 91, 100; 40/124.01, 672, 661,
40/776, 1.5, 654.01; 283/72, 74-75, 106-107,
283/904; 235/380, 487, 493, 488; D9/707,
D9/709; 211/45, 50; D3/247-250, 226-227,
D3/303, 251; 150/131-133, 138-139; D25/150;
340/568.7; D20/40, 43; 206/232, 38, 425;
D14/435, 436; 383/86

See application file for complete search history.

(56) **References Cited**

U.S. PATENT DOCUMENTS

2,333,495	A	*	11/1943	Staser	40/654
3,146,816	A	*	9/1964	Osher	150/148
D213,159	S		1/1969	Nemett		
D222,602	S		11/1971	Petrie		
4,000,570	A	*	1/1977	Carmen	40/1.5
D276,243	S		11/1984	Brucoli		
D288,263	S	*	2/1987	Pagano	D3/249
D295,289	S		4/1988	Nickow		
D312,532	S	*	12/1990	Prey	D3/247
D314,213	S		1/1991	Bishop		
D314,588	S		2/1991	Denham		
D325,673	S		4/1992	Bell		
D334,597	S		4/1993	Busquets		
D358,166	S	*	5/1995	Deutch	D19/26
D364,421	S		11/1995	Harris		
D413,725	S		9/1999	Hartmann		
D471,230	S	*	3/2003	Bills	D19/33
D473,373	S	*	4/2003	Sledge	D3/226

D483,199	S		12/2003	Hassett		
D485,985	S	*	2/2004	Hogan	D3/247
D526,118	S		8/2006	Foote		
D550,769	S		9/2007	Pollard		
D555,724	S		11/2007	Brodie		
D555,737	S	*	11/2007	Brown	D19/91
D593,317	S		6/2009	Yao		
D608,825	S	*	1/2010	Brett	D19/3
D622,763	S	*	8/2010	Lamm et al.	D19/9

* cited by examiner

Primary Examiner—Caron Veynar

Assistant Examiner—Abraham Bahta

(74) *Attorney, Agent, or Firm*—QuickPatents, Inc.; Kevin Prince

(57) **CLAIM**

What is claimed is the ornamental design for an identification card holder, as shown and described.

DESCRIPTION

FIG. 1 is a perspective view of an identification card holder, showing the new design in a closed position;

FIG. 2 is a front elevational view thereof;

FIG. 3 is a rear elevational view thereof;

FIG. 4 is a right-side elevational view thereof;

FIG. 5 is a left-side elevational view thereof;

FIG. 6 is a top plan view thereof;

FIG. 7 is a bottom plan view thereof;

FIG. 8 is a perspective view thereof, illustrated in an open position;

FIG. 9 is a front elevational view of FIG. 8;

FIG. 10 is a rear elevational view of FIG. 8;

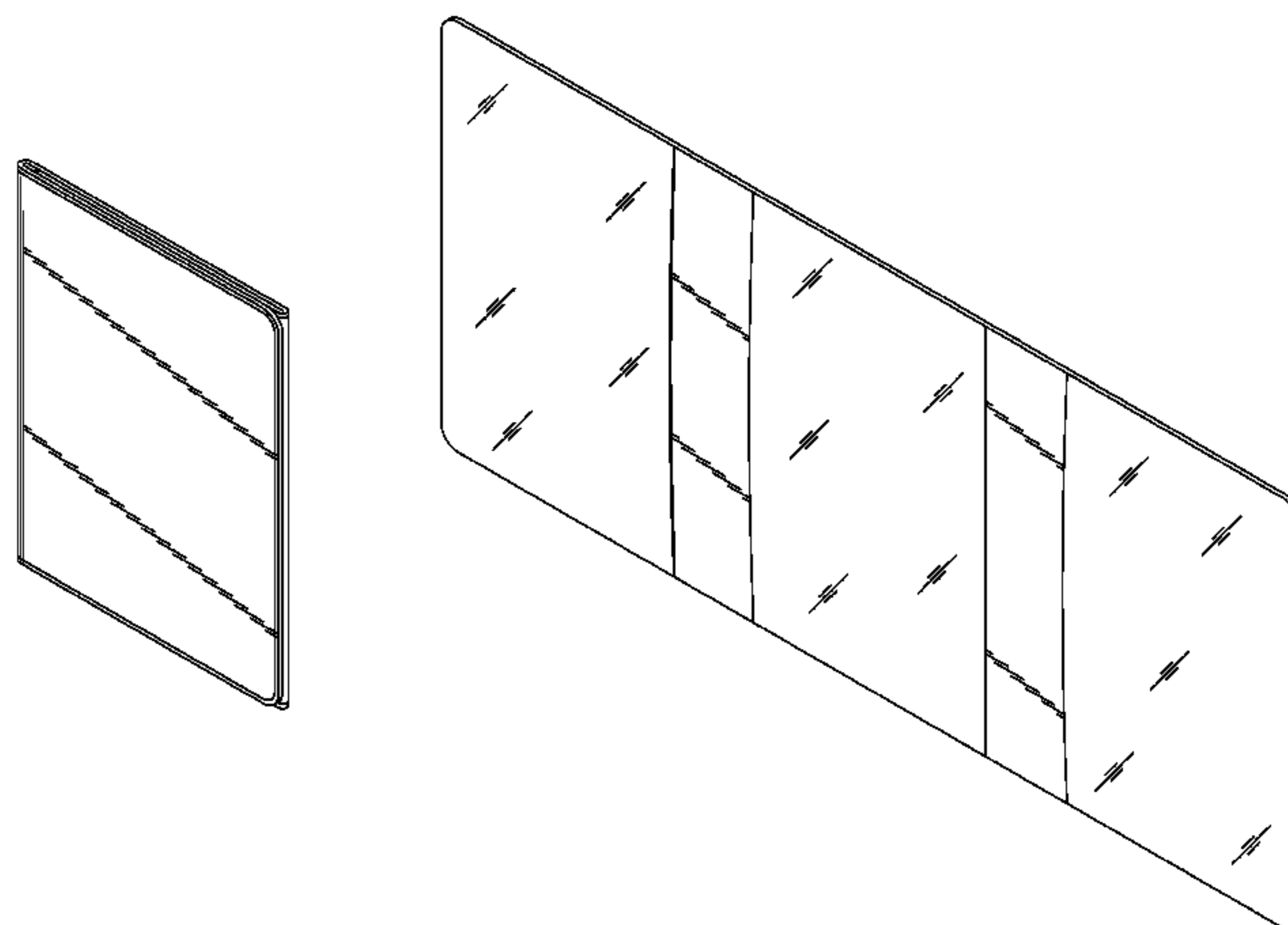
FIG. 11 is a right-side elevational view of FIG. 8;

FIG. 12 is a left-side elevational view of FIG. 8;

FIG. 13 is a top plan view of FIG. 8; and,

FIG. 14 is a bottom plan view of FIG. 8.

1 Claim, 3 Drawing Sheets



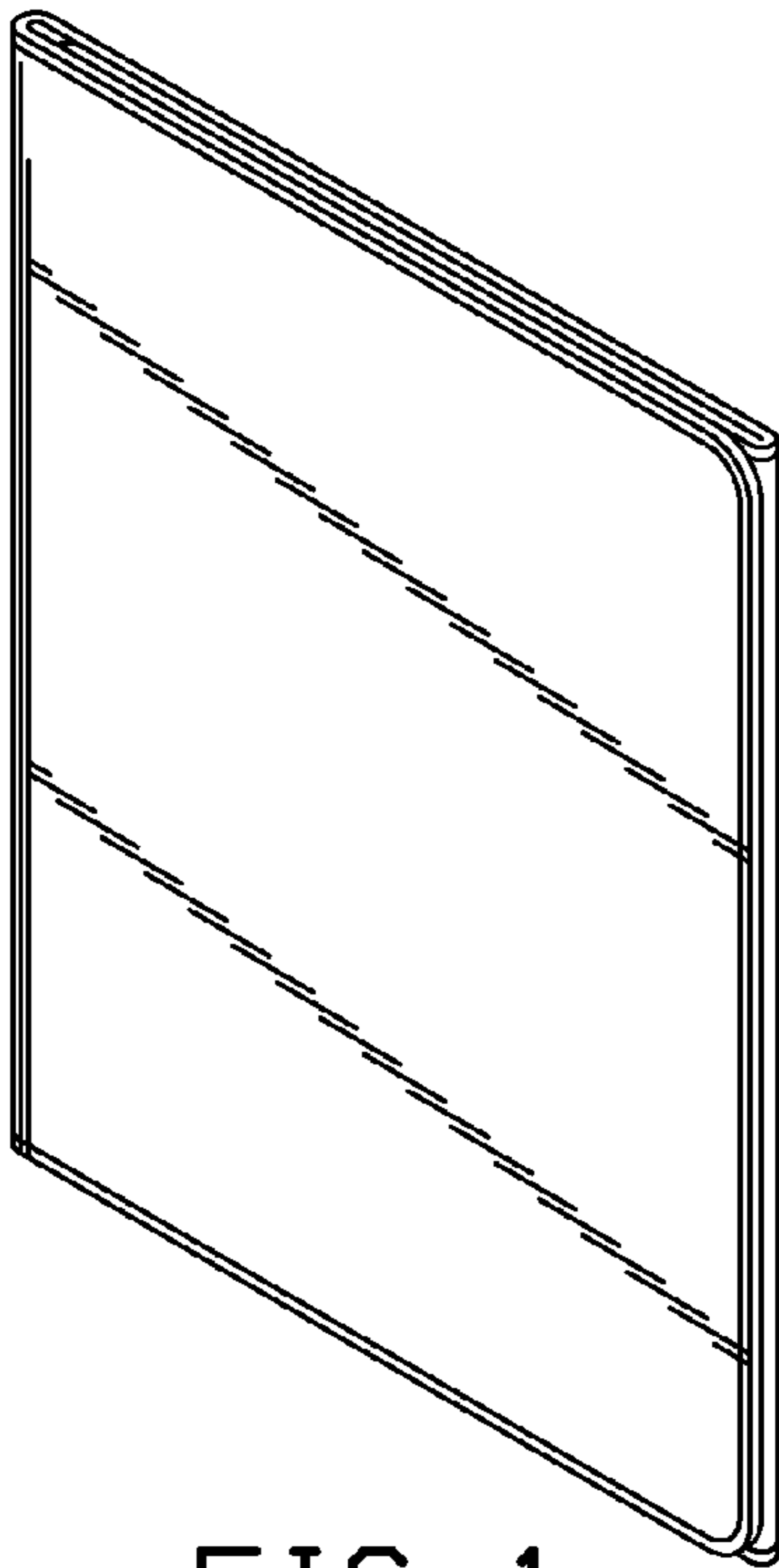


FIG. 1

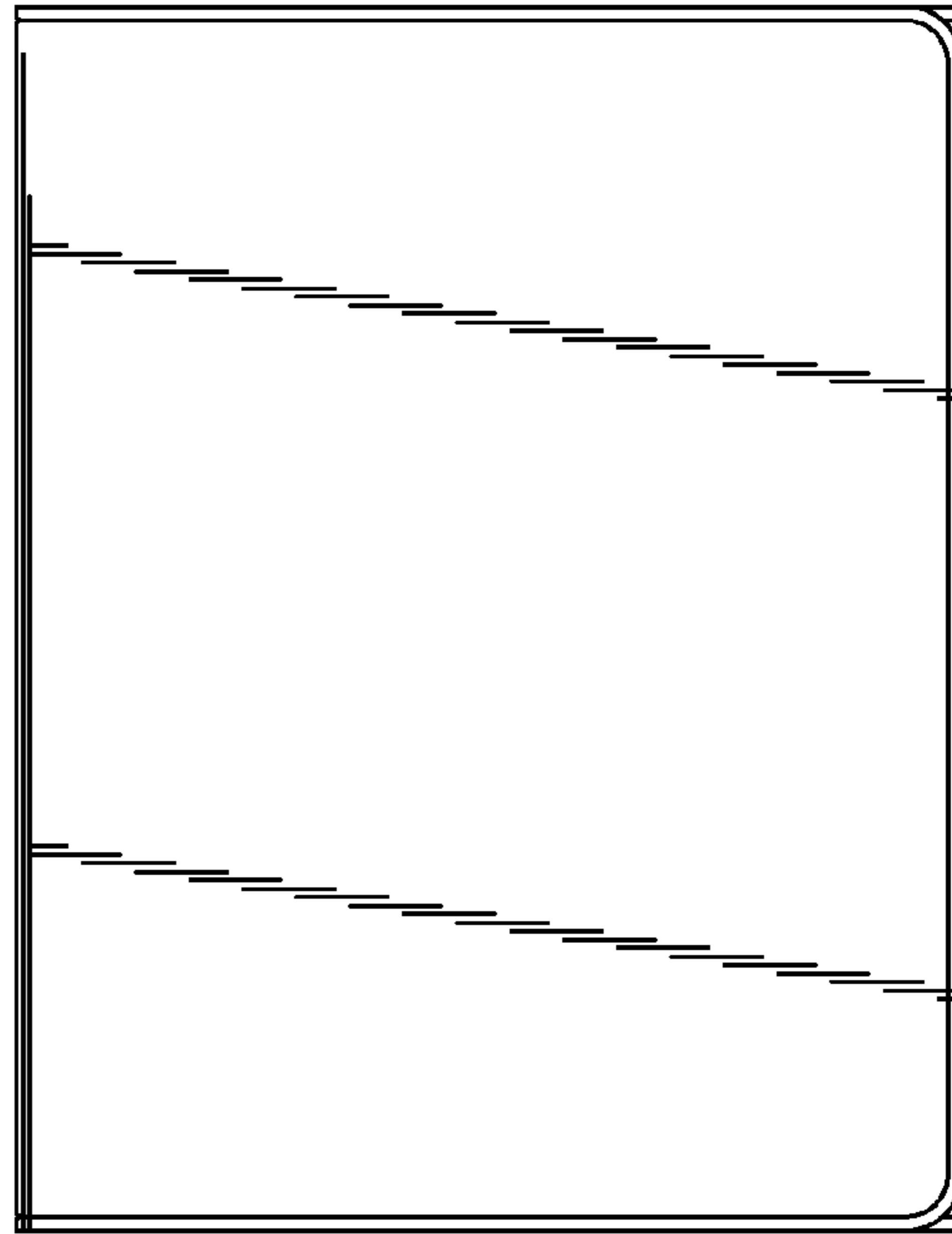


FIG. 2

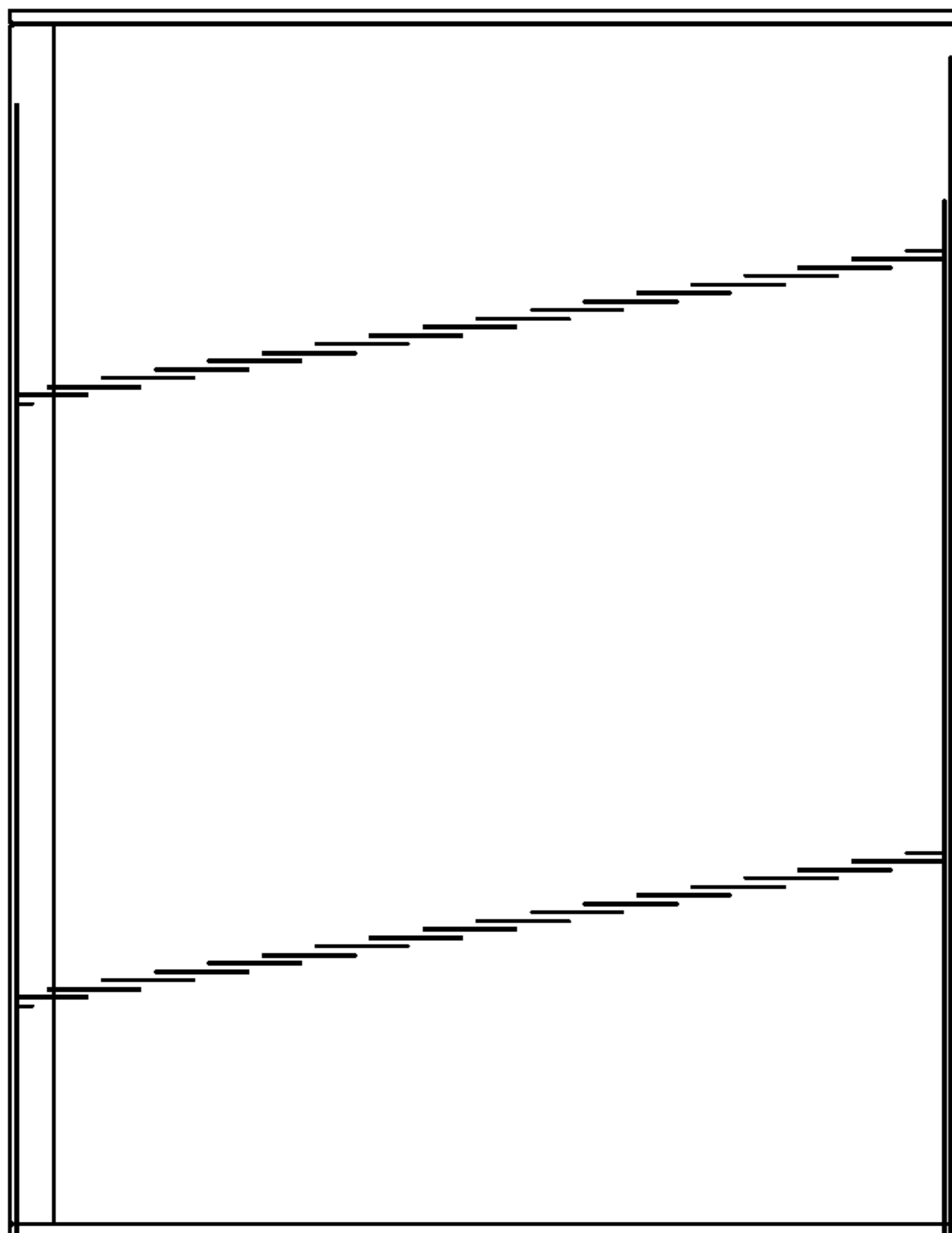


FIG. 3



FIG. 4



FIG. 5

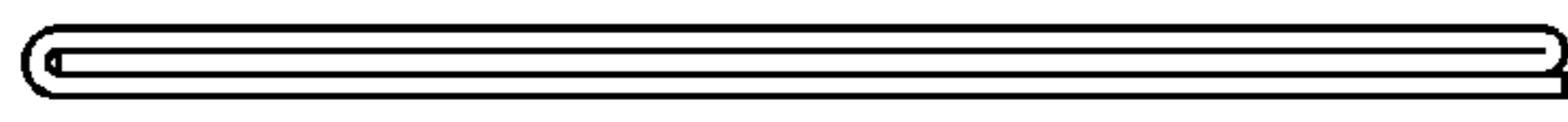


FIG. 6

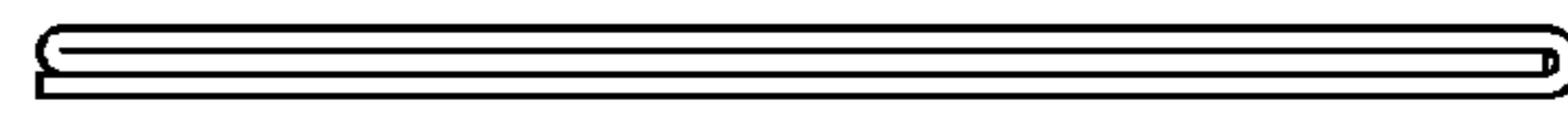


FIG. 7

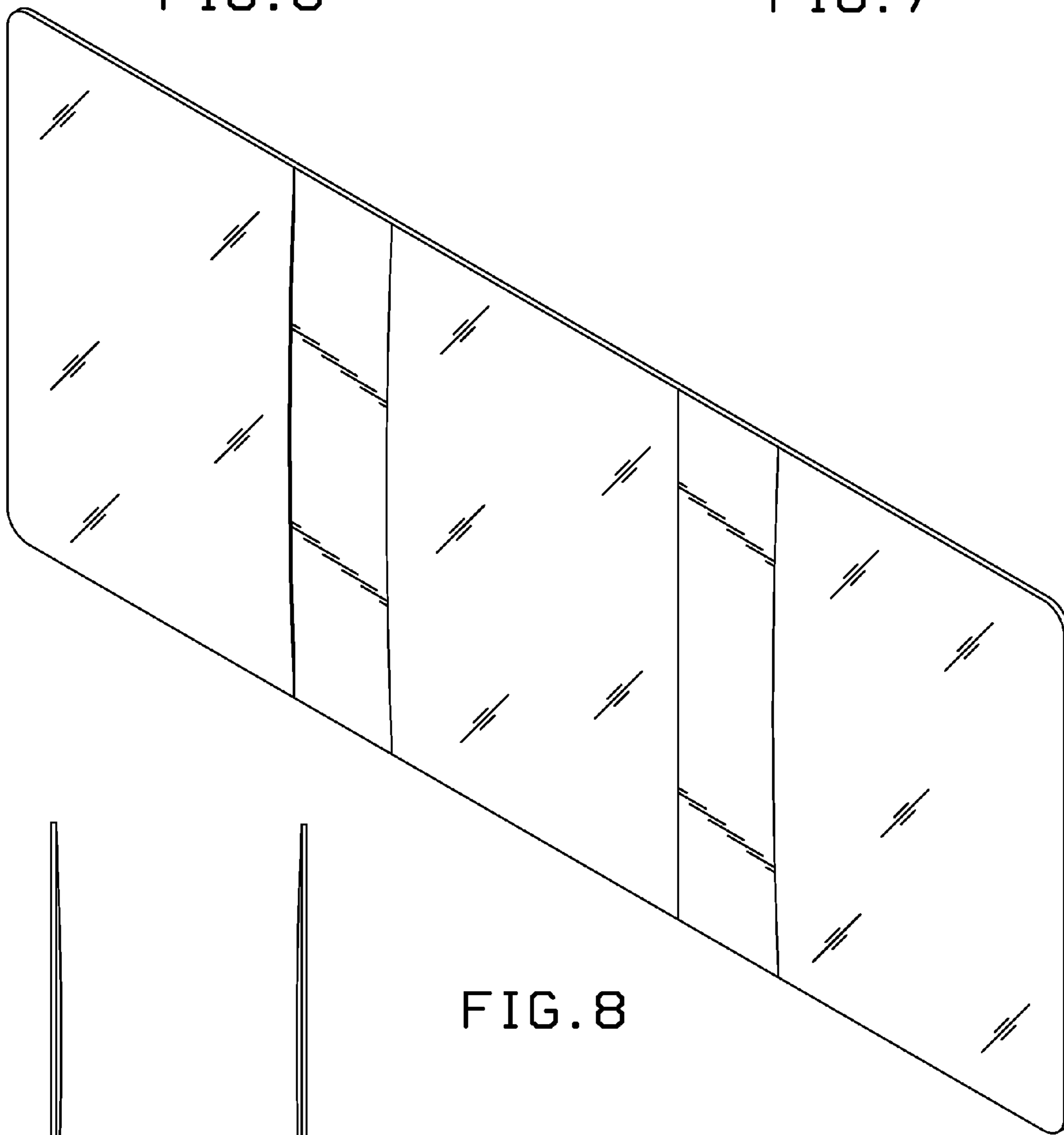


FIG. 8



FIG. 11

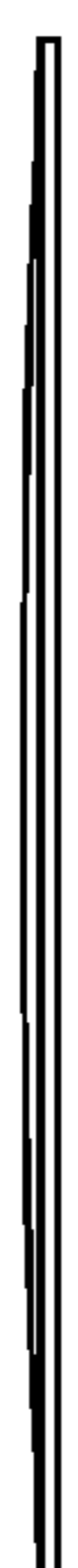


FIG. 12

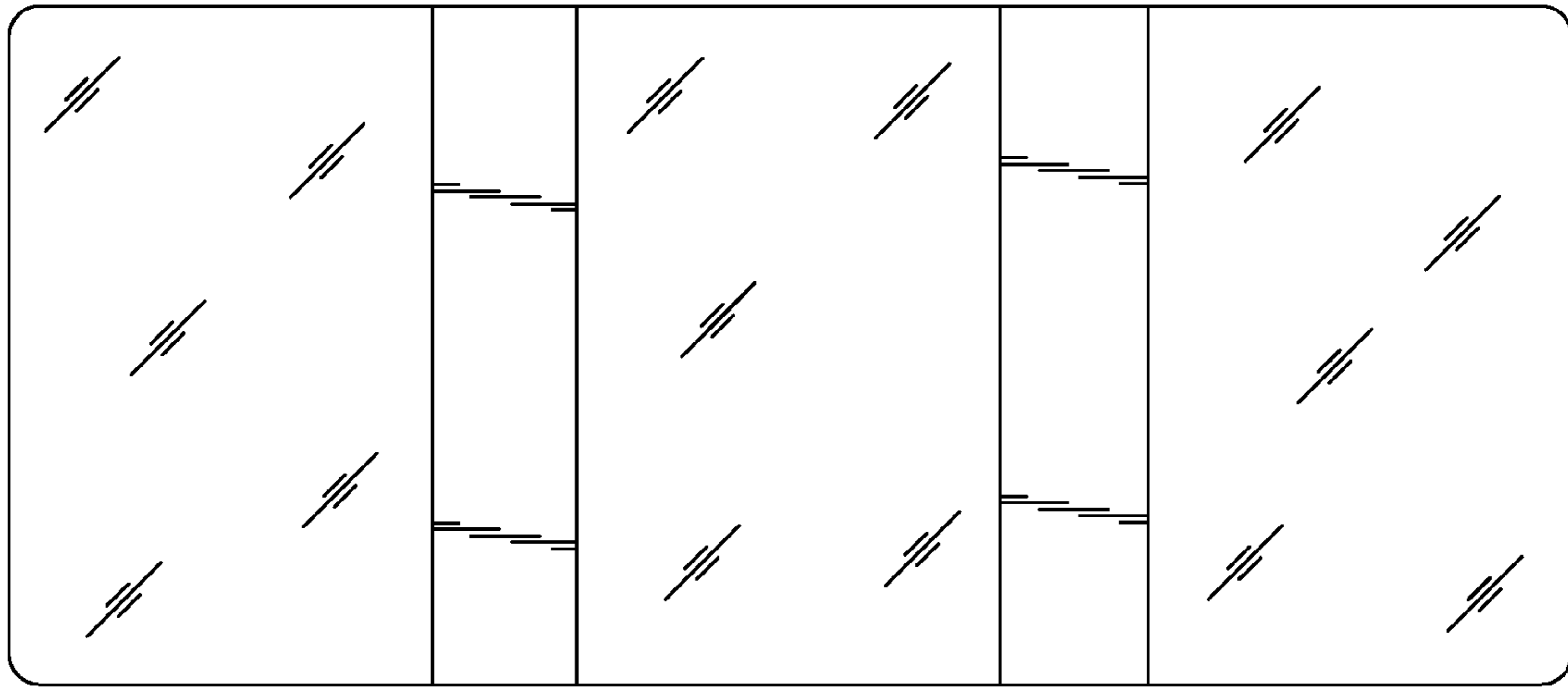


FIG. 9

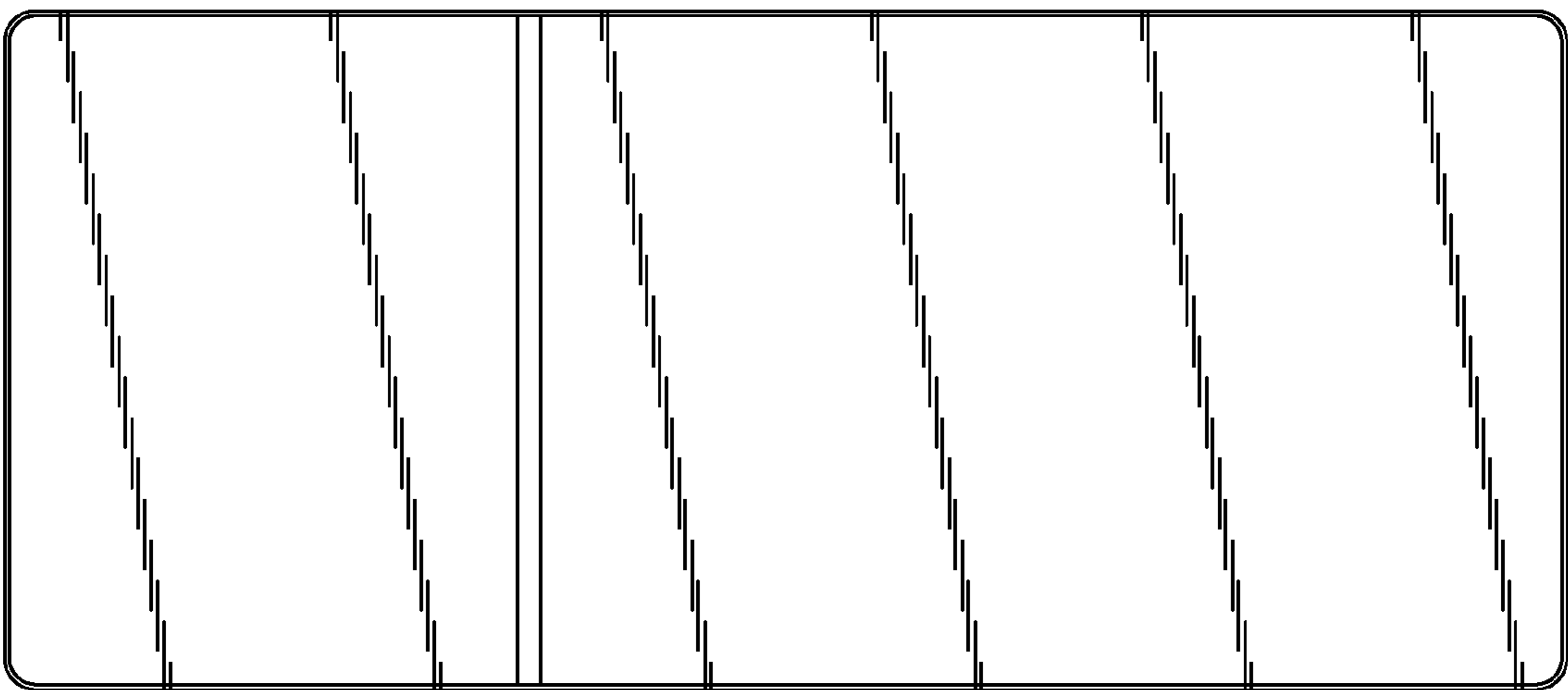


FIG. 10

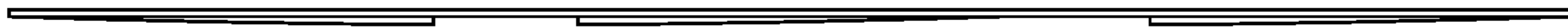


FIG. 13



FIG. 14