



US00D631653S

(12) **United States Design Patent**  
**Brown**

(10) **Patent No.:** **US D631,653 S**

(45) **Date of Patent:** **\*\* Feb. 1, 2011**

(54) **PURSE**

(76) **Inventor:** **Clara J. Brown**, 1043 Gray Rd., Lake City, SC (US) 29560

(\*\*) **Term:** **14 Years**

(21) **Appl. No.:** **29/364,006**

(22) **Filed:** **Jun. 17, 2010**

(51) **LOC (9) Cl.** ..... **03-01**

(52) **U.S. Cl.** ..... **D3/232**

(58) **Field of Classification Search** ..... D3/232-233,  
D3/240, 246, 318, 324; 150/100, 103-110,  
150/113-114, 118-119

See application file for complete search history.

(56) **References Cited**

**U.S. PATENT DOCUMENTS**

D132,543	S	*	5/1942	Seltzer	.....	D3/245
2,675,042	A		4/1954	Herrera		
4,192,365	A		3/1980	Siegel		
6,189,750	B1		2/2001	Von Neumann		
D456,991	S		5/2002	Achache		
6,491,074	B1		12/2002	Roegner		
D528,303	S	*	9/2006	Hillerich	.....	D3/321
D530,090	S	*	10/2006	Harvey	.....	D3/289

D554,366	S	*	11/2007	Morris et al.	.....	D3/232
D559,538	S	*	1/2008	Dew	.....	D3/232
D560,356	S		1/2008	Greiner		
D581,158	S	*	11/2008	Hermann	.....	D3/246
D582,666	S	*	12/2008	Javits, Jr.	.....	D3/232
D596,849	S	*	7/2009	Billauer	.....	D3/232
D597,303	S	*	8/2009	Billauer	.....	D3/232

\* cited by examiner

*Primary Examiner*—Holly H Baynham

(57) **CLAIM**

The ornamental design for a purse, as shown and described.

**DESCRIPTION**

FIG. 1 is a perspective view of a purse showing my new design;

FIG. 2 is a front view thereof;

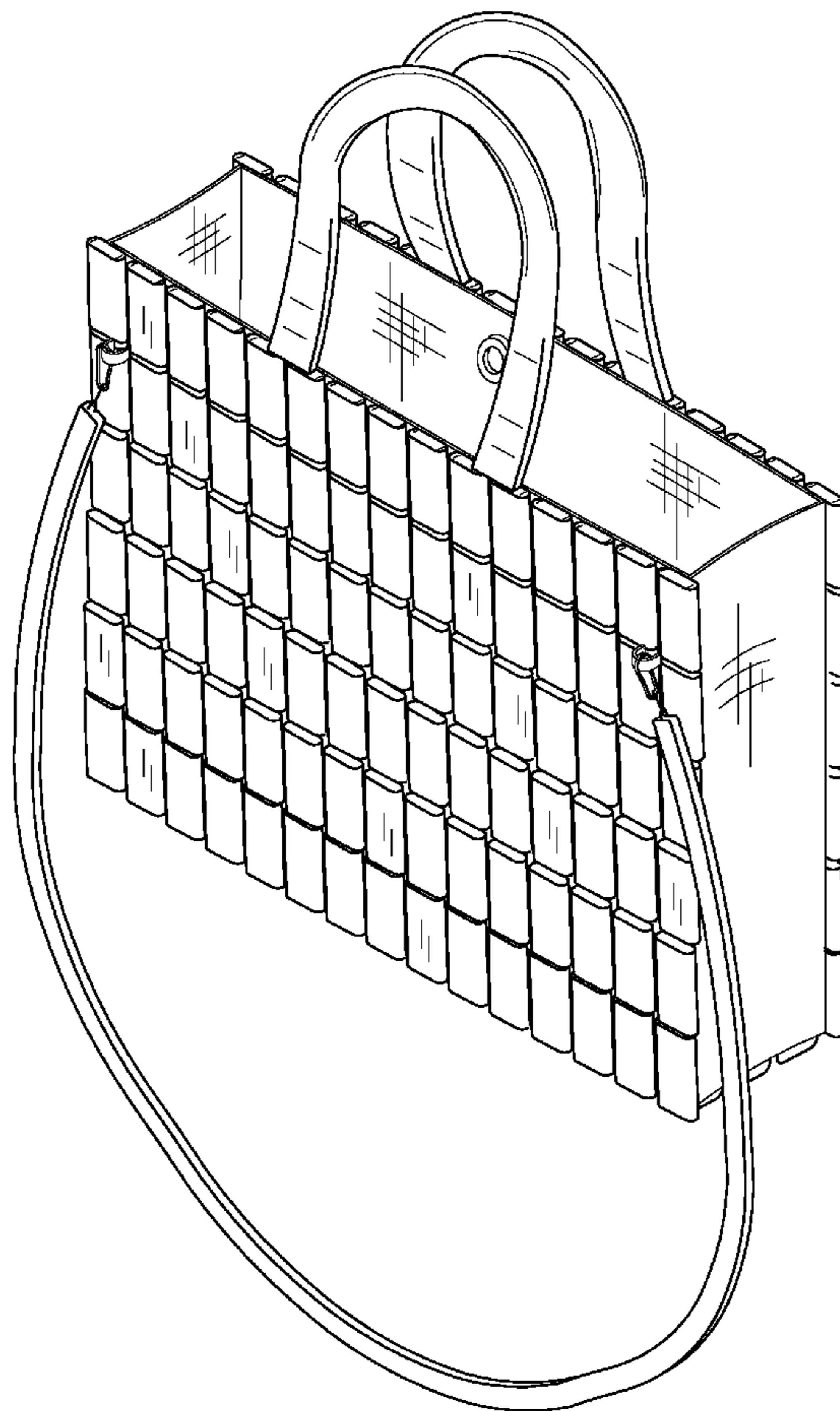
FIG. 3 is a back view thereof;

FIG. 4 is a side view (opposite side view is mirror image) thereof;

FIG. 5 is a top view thereof; and,

FIG. 6 is a bottom view thereof.

**1 Claim, 5 Drawing Sheets**



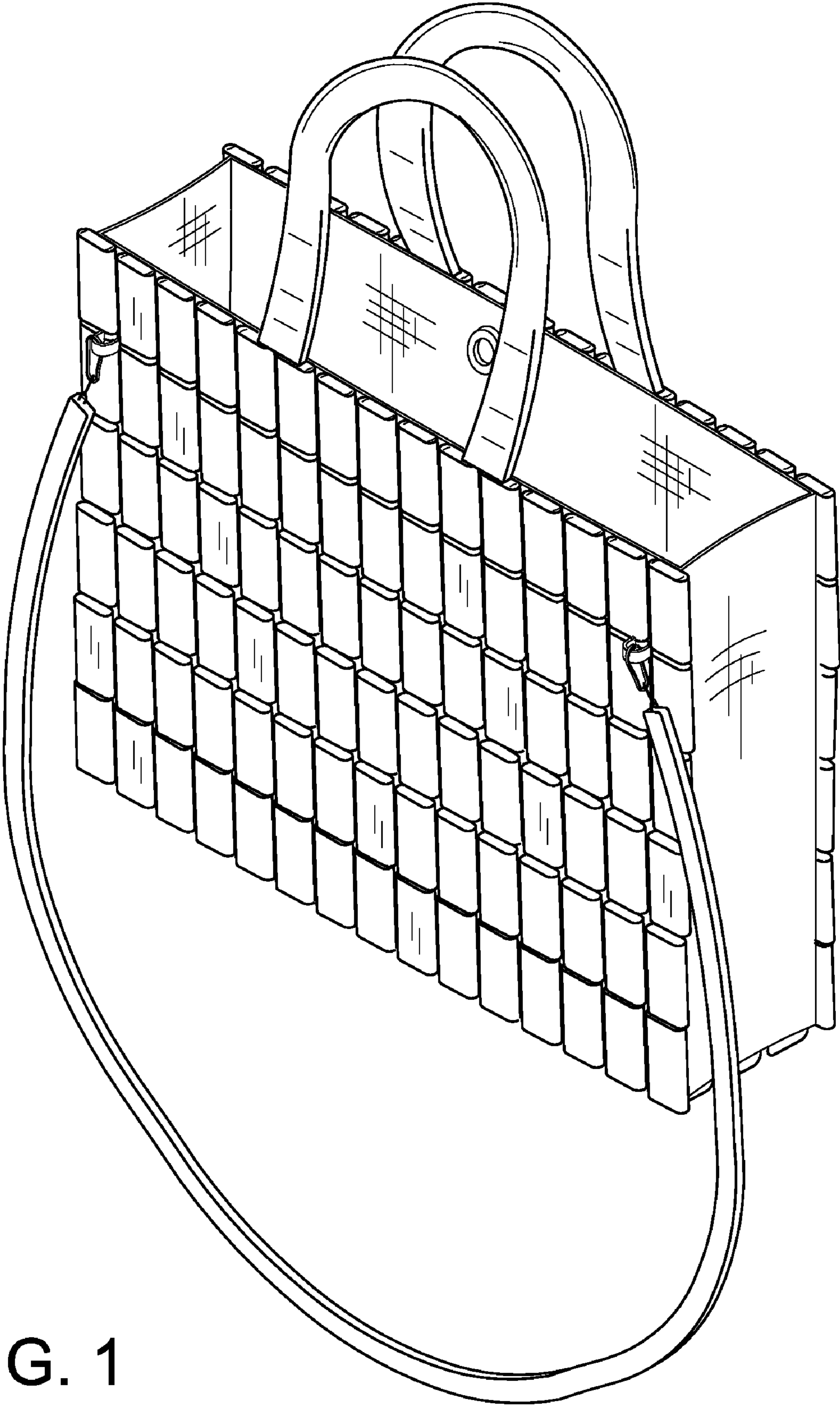


FIG. 1

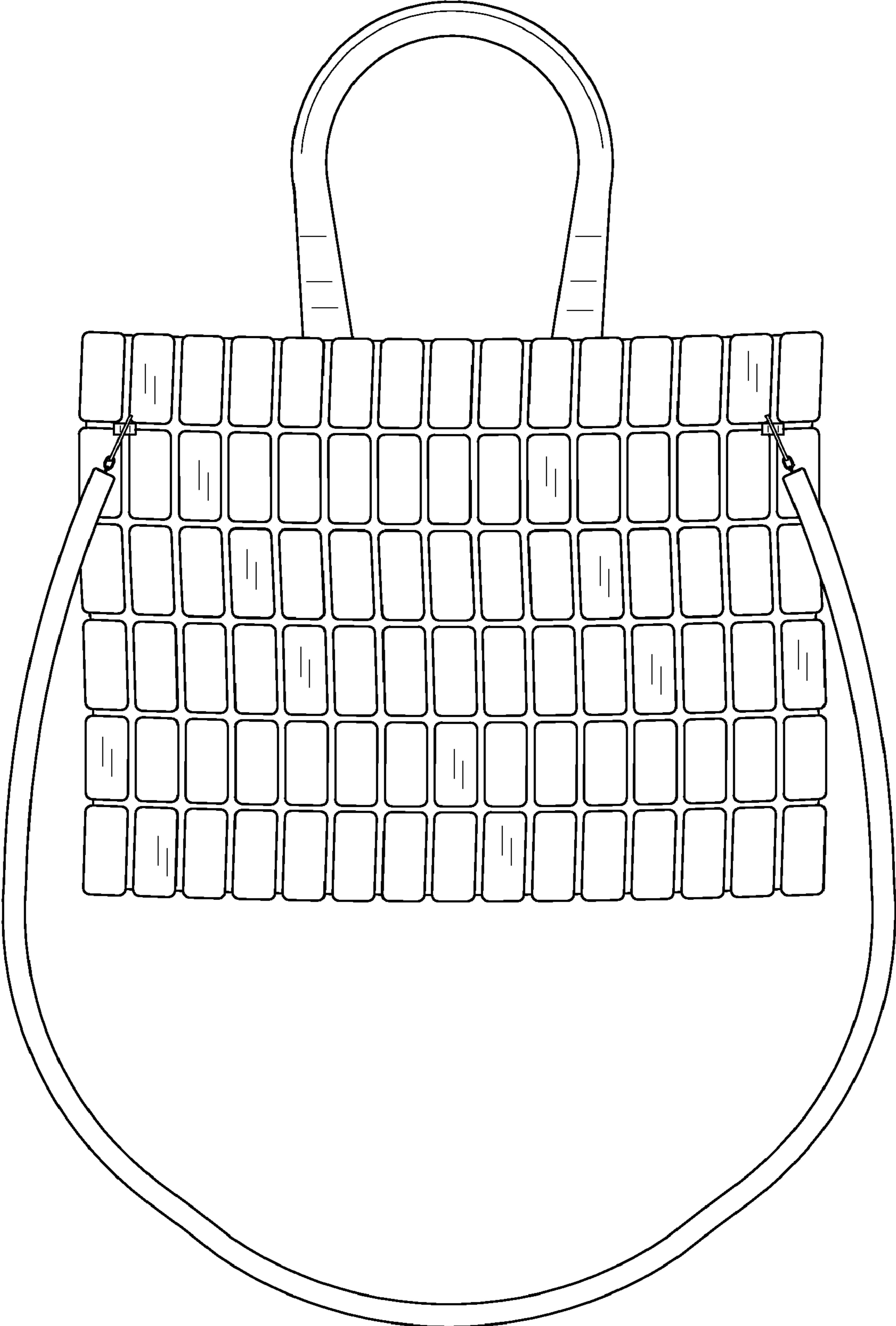


FIG. 2

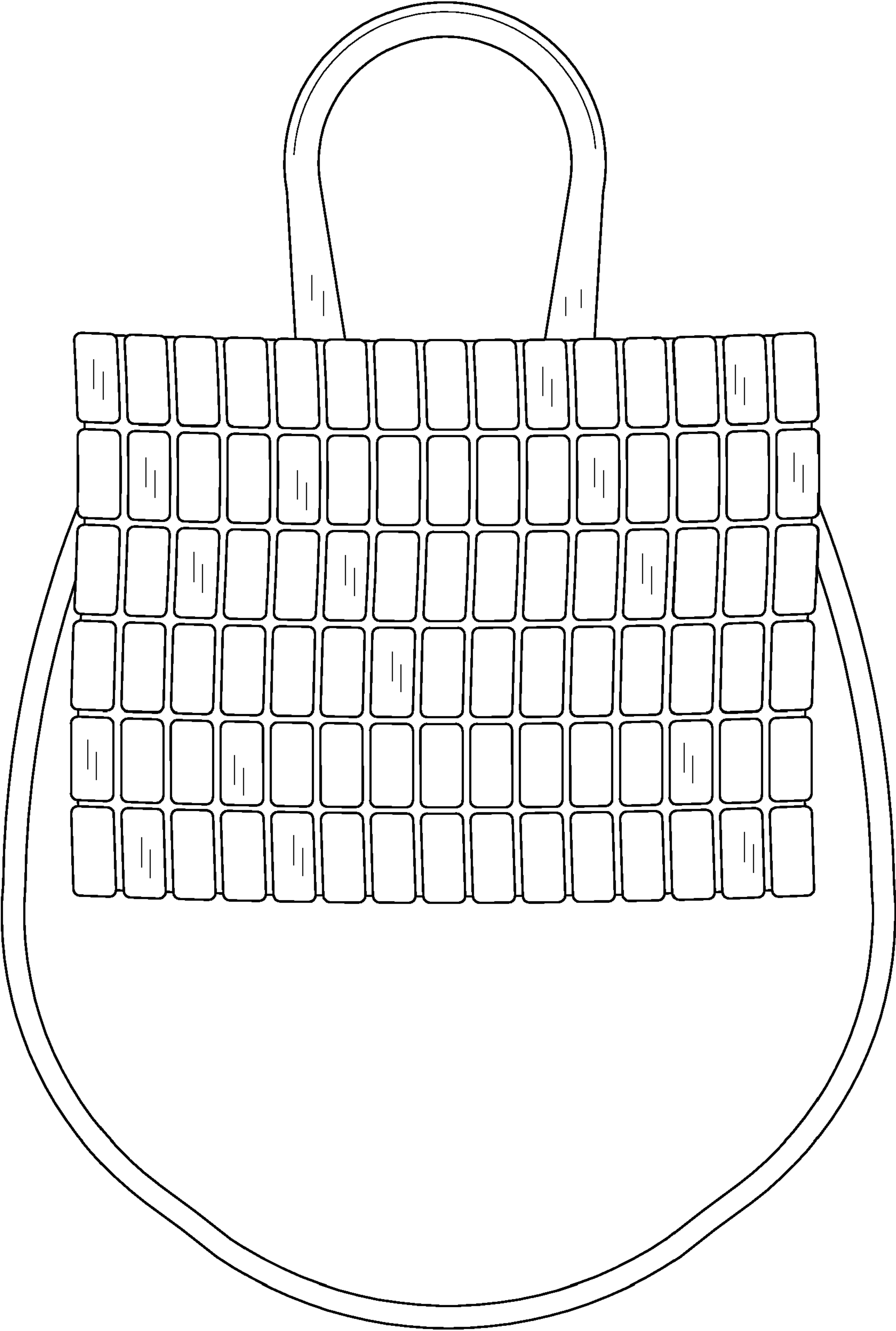


FIG. 3

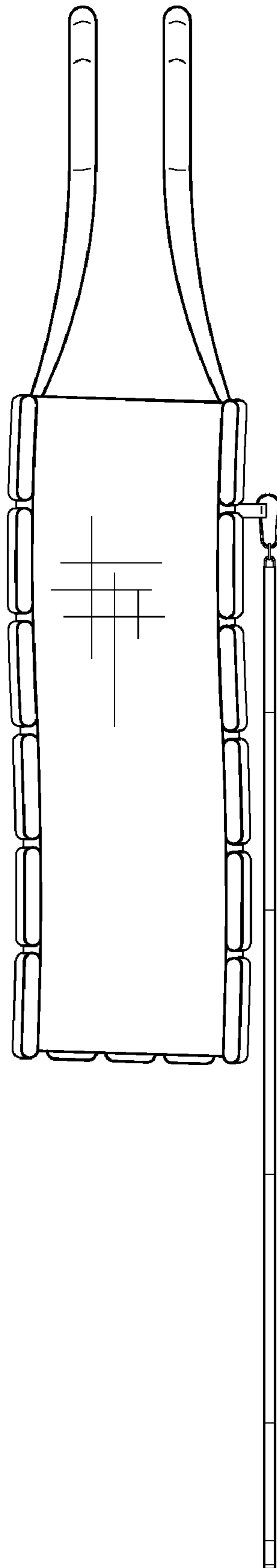


FIG. 4

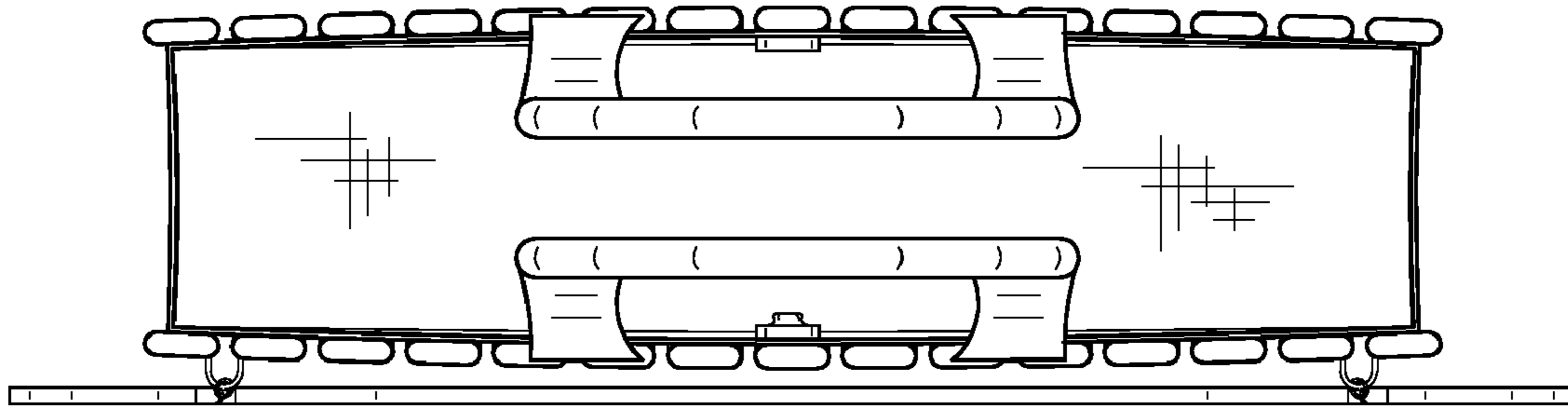


FIG. 5

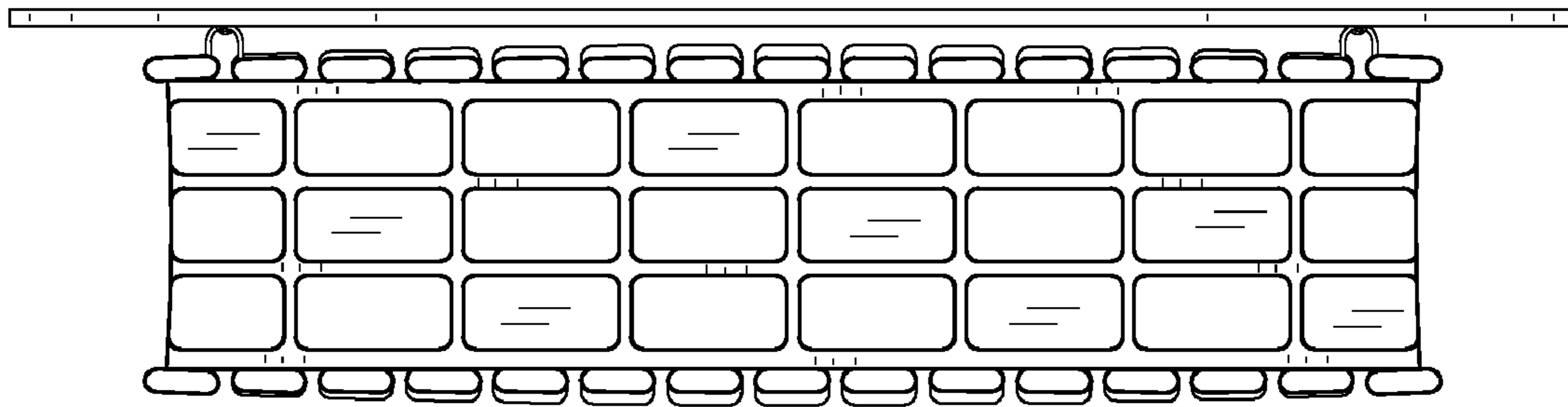


FIG. 6