



US00D631649S

(12) **United States Design Patent**
Patenaude

(10) **Patent No.:** **US D631,649 S**

(45) **Date of Patent:** **** Feb. 1, 2011**

(54) **DENTAL PROSTHESIS STORAGE BOX**

(75) Inventor: **Danielle Patenaude**, Montréal (CA)

(73) Assignee: **Les Brevets Eurêka inc.**, Montreal, QC (CA)

(**) Term: **14 Years**

(21) Appl. No.: **29/365,201**

(22) Filed: **Jul. 6, 2010**

(51) **LOC (9) Cl.** **03-01**

(52) **U.S. Cl.** **D3/203.1**

(58) **Field of Classification Search** D3/203.1–203.8,
D3/201, 205, 294, 299, 900, 272–273, 276,
D3/301; 206/528–540; D9/730–733, 504,
D9/414, 423; D24/227

See application file for complete search history.

(56) **References Cited**

U.S. PATENT DOCUMENTS

- D280,015 S * 8/1985 Sarajian D24/227
- D427,686 S * 7/2000 Butler et al. D3/203.1
- D531,408 S * 11/2006 Arce et al. D3/294
- D543,691 S * 6/2007 Payne et al. D3/203.1
- D563,094 S * 3/2008 Meyer-Hayoz D3/203.1

D613,943 S * 4/2010 Fu Chue D3/274

* cited by examiner

Primary Examiner—Catherine R Oliver

(74) *Attorney, Agent, or Firm*—Benoît & Côté, s.e.n.c.

(57) **CLAIM**

The ornamental design for a dental prosthesis storage box.

DESCRIPTION

FIG. 1 is a top, front and left side perspective view of the dental prosthesis storage box in accordance with the present design;

FIG. 2 is a front elevational view of the present design;

FIG. 3 is a rear elevational view of the present design;

FIG. 4 is a top plan view of the present design;

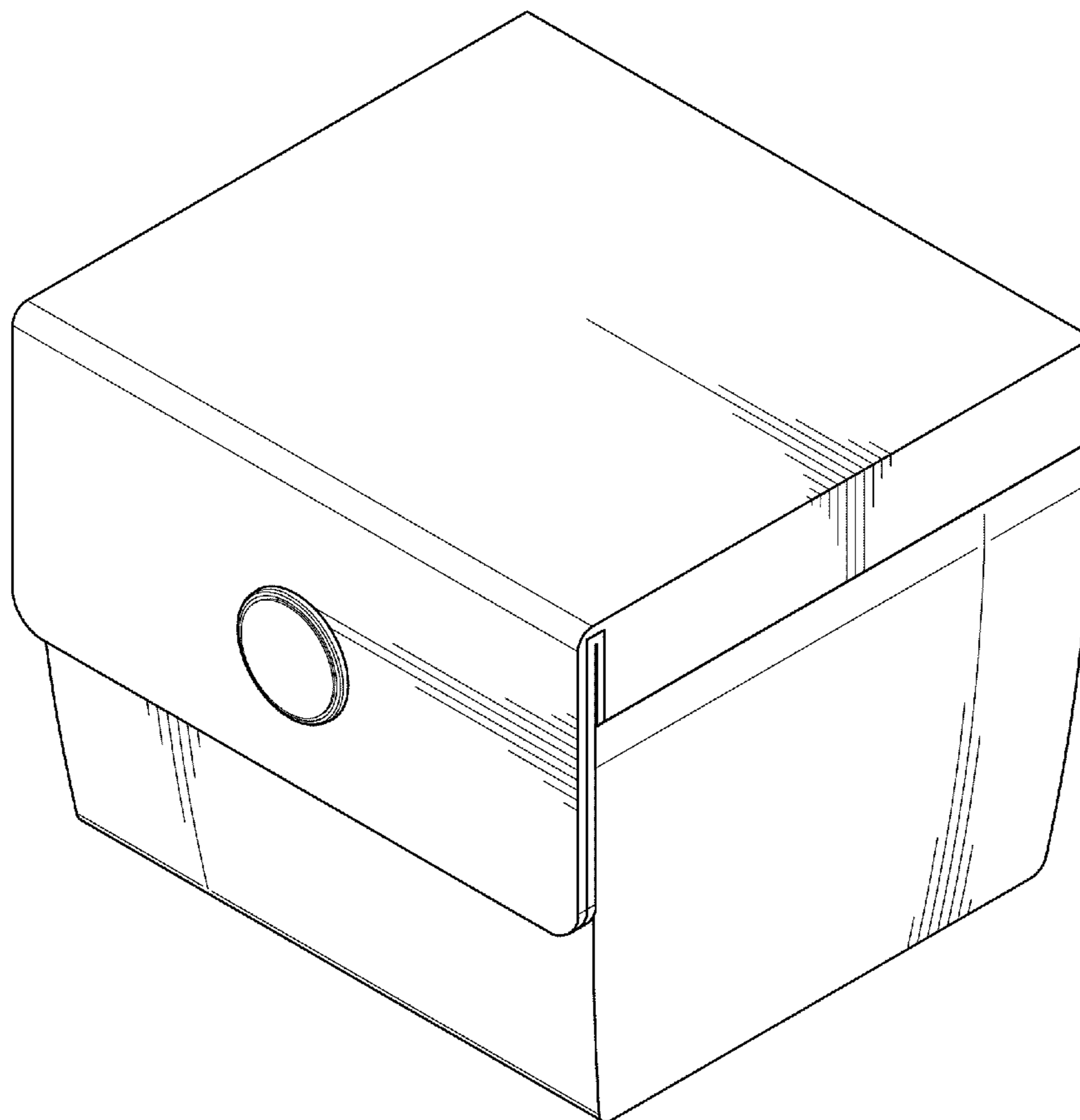
FIG. 5 is a bottom plan view of the present design;

FIG. 6 is a right side elevational view of the present design; and,

FIG. 7 is a left side elevational view of the present design.

The broken line showing of environment in the drawings is for illustrative purposes only and forms no part of the claimed design;

1 Claim, 7 Drawing Sheets



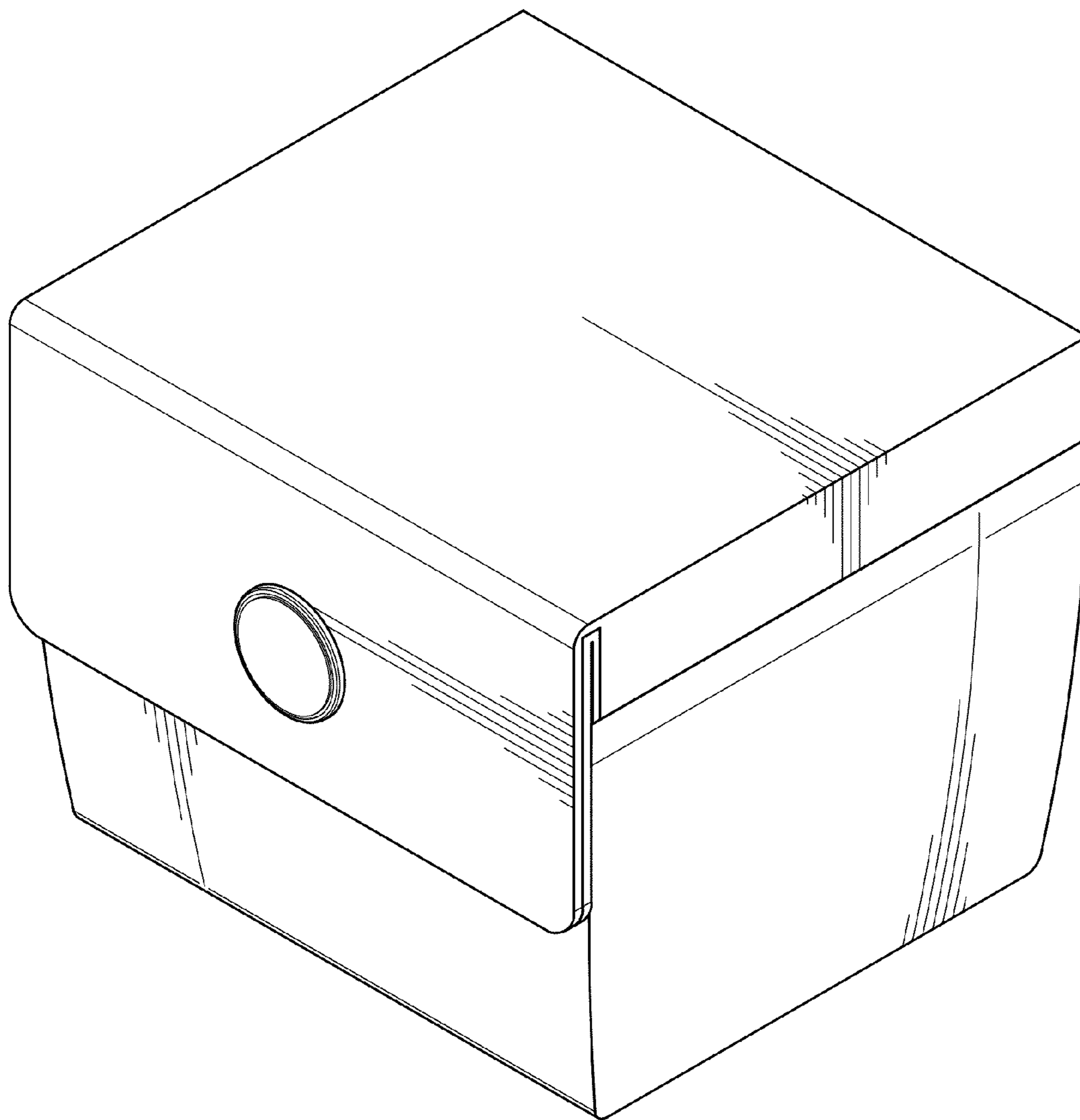


FIG. 1

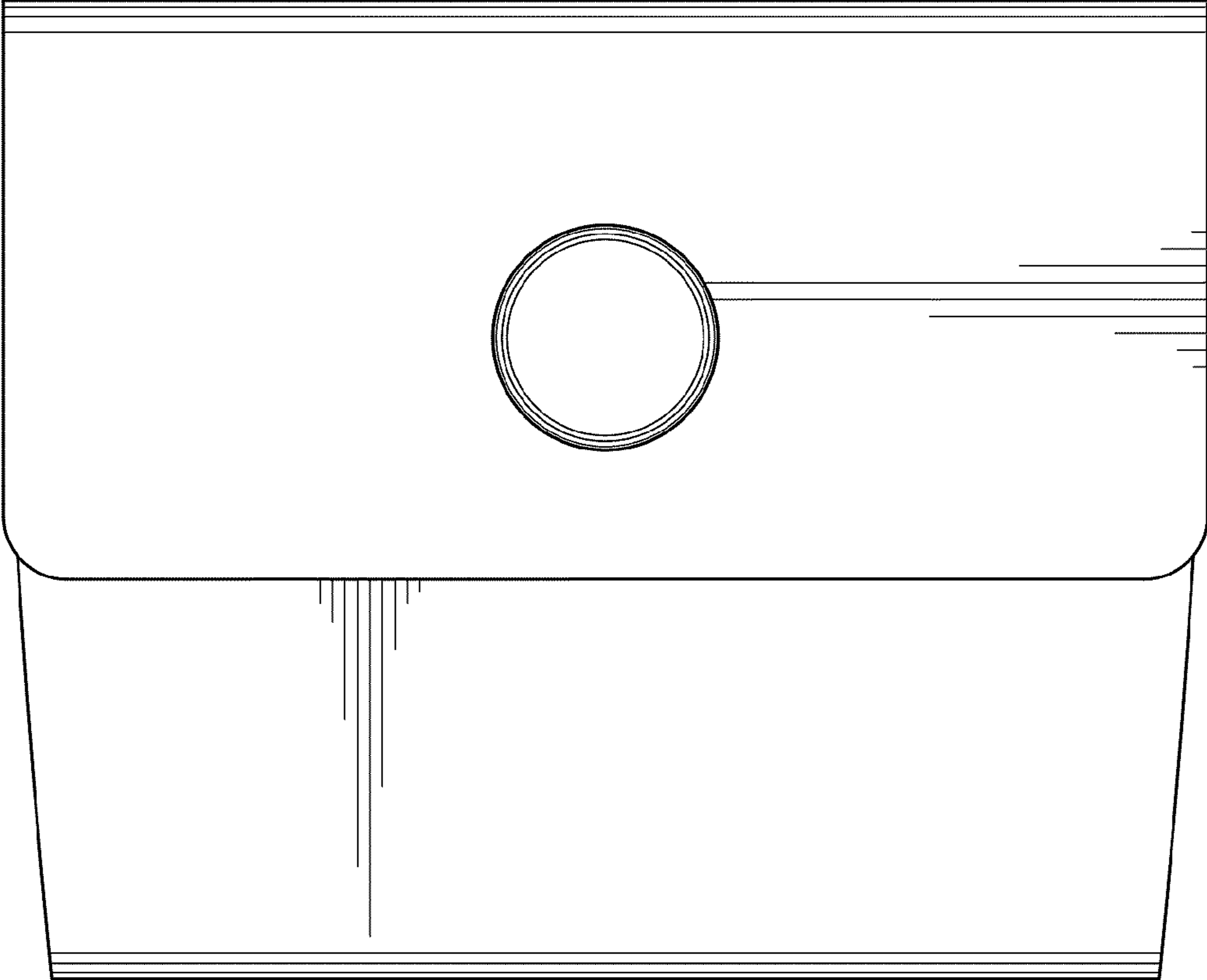


FIG. 2

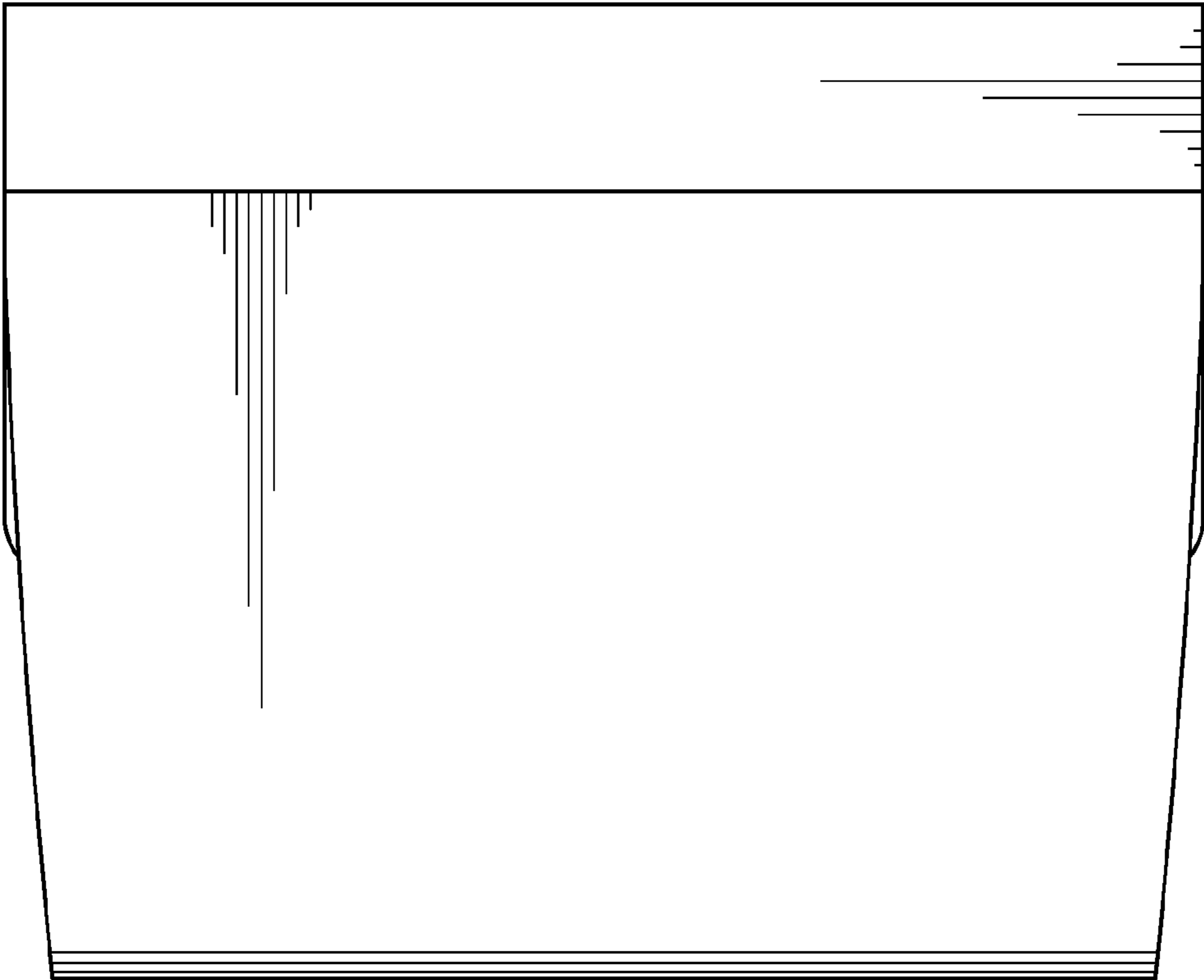


FIG. 3



FIG. 4

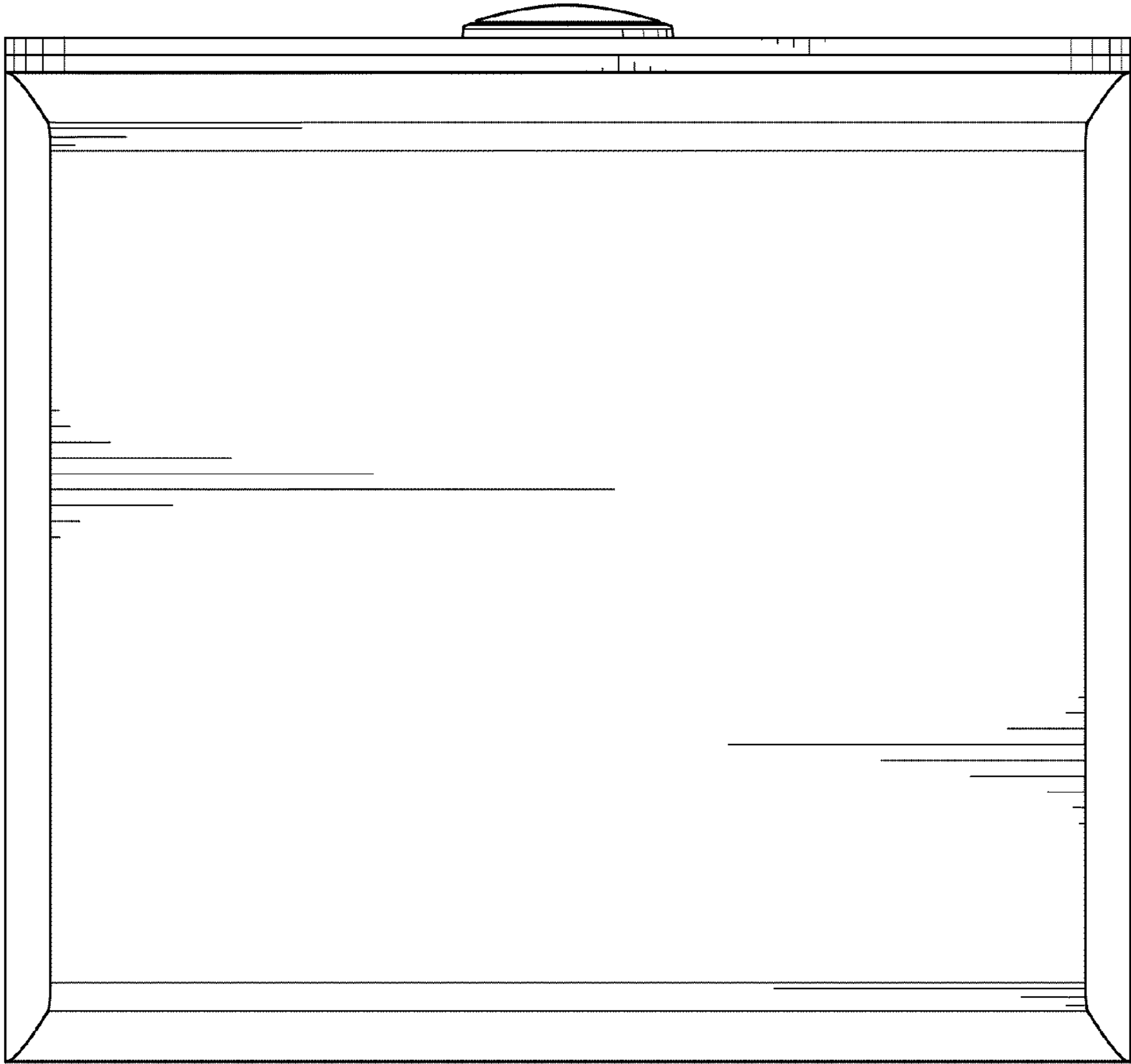


FIG. 5

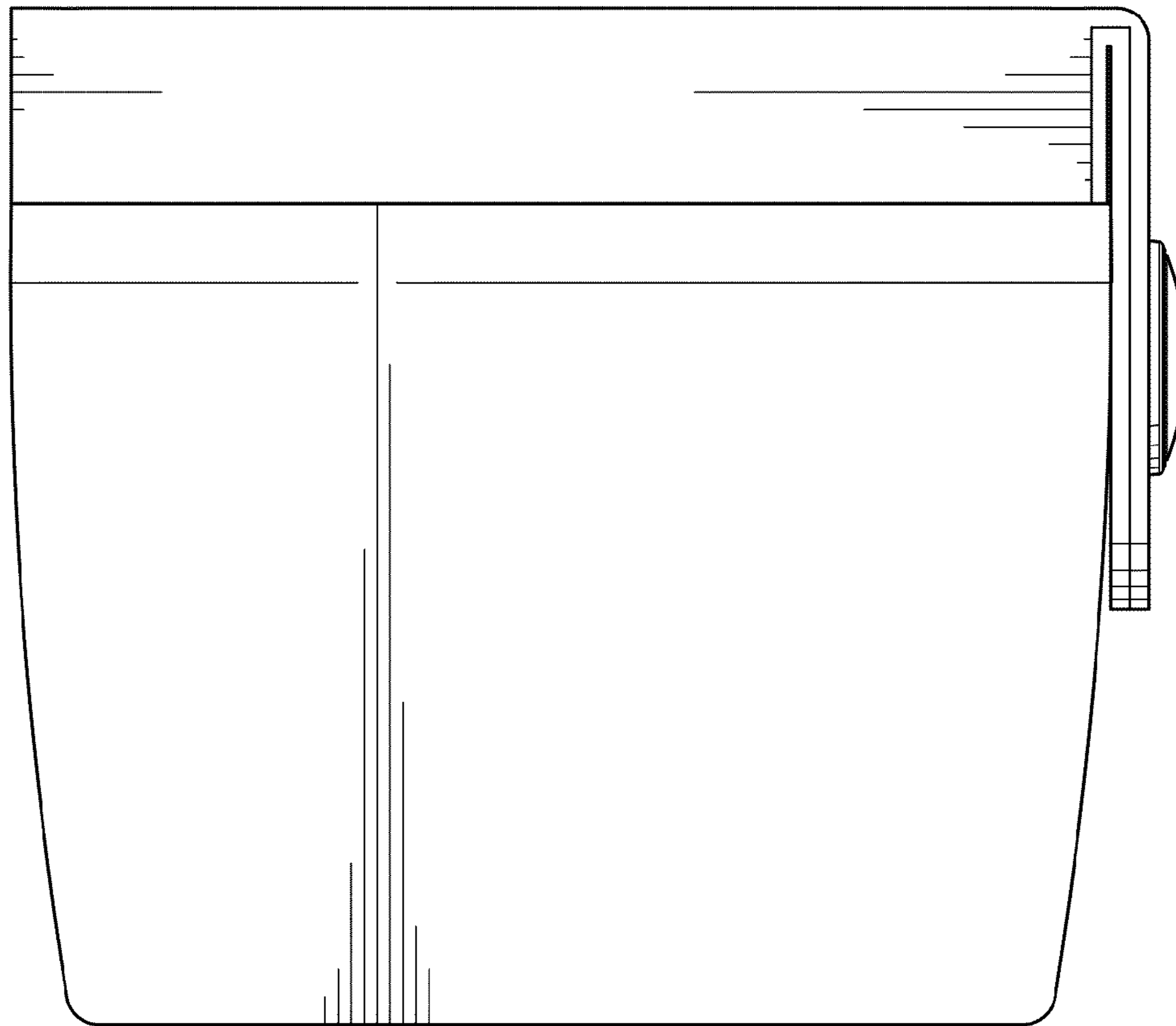


FIG. 6

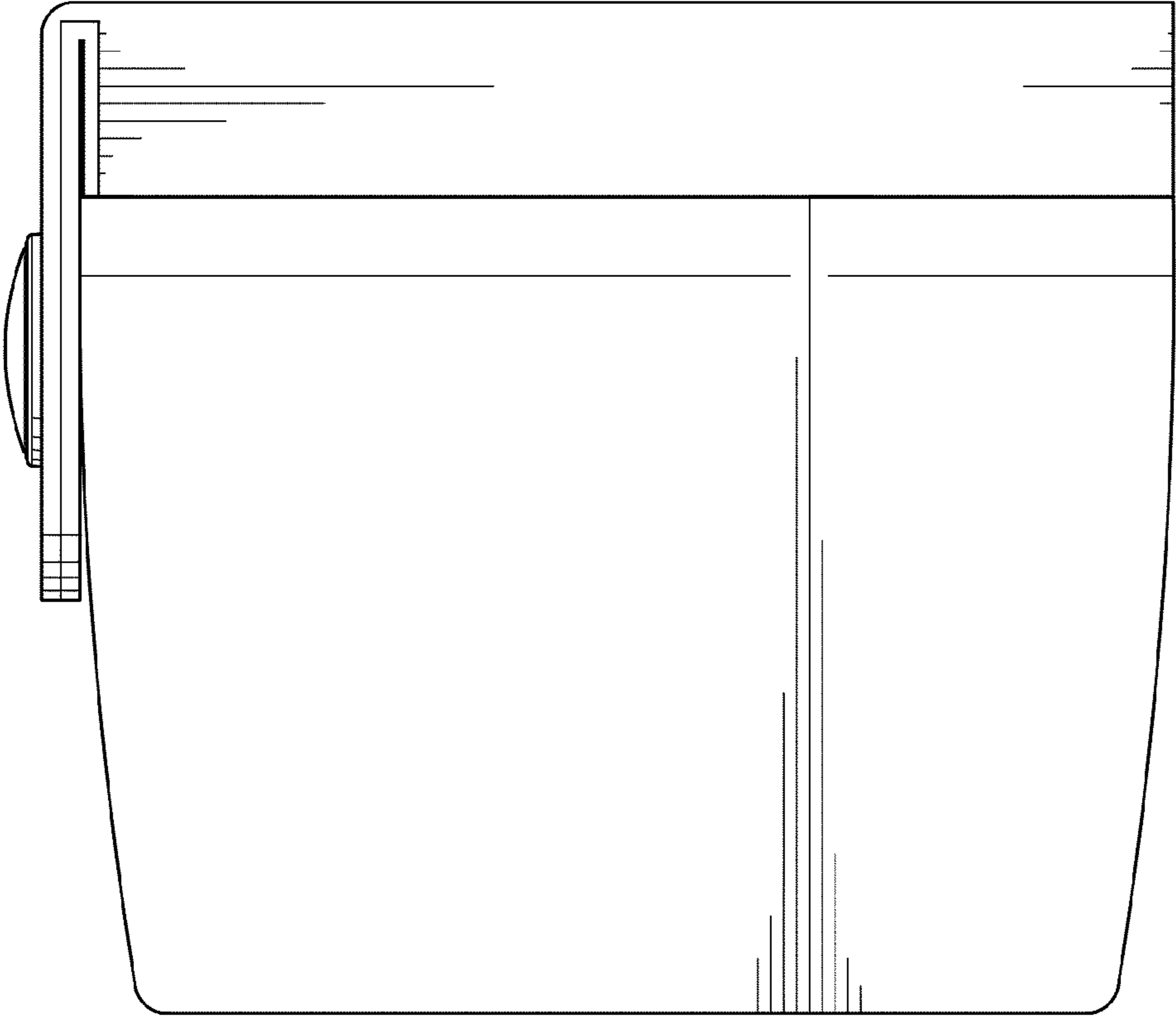


FIG. 7