



US00D631647S

(12) **United States Design Patent**
Hipshman

(10) **Patent No.:** **US D631,647 S**

(45) **Date of Patent:** **** Feb. 1, 2011**

(54) **TRANSPARENT SHOE HEEL**

(76) Inventor: **Aliza G. Hipshman**, 1380 Oak Hill Dr.,
#43, Escondido, CA (US) 92027

(**) Term: **14 Years**

(21) Appl. No.: **29/352,125**

(22) Filed: **Dec. 16, 2009**

(51) **LOC (9) Cl.** **02-99**

(52) **U.S. Cl.** **D2/965; D2/927**

(58) **Field of Classification Search** D2/925-942,
D2/946, 964-966; 36/34 R-34 B, 105
See application file for complete search history.

D268,966 S	5/1983	Smith	
D296,951 S	8/1988	Brickwood	
D415,338 S *	10/1999	Phillips D2/927
D519,268 S *	4/2006	Choi D2/965
D568,592 S	5/2008	Choi	
D572,896 S	7/2008	Choi	

* cited by examiner

Primary Examiner—Dominic Simone

(74) *Attorney, Agent, or Firm*—QuickPatents, Inc.; Kevin Prince

(57) **CLAIM**

What is claimed is the ornamental design for a transparent shoe heel, as shown and described.

(56) **References Cited**

U.S. PATENT DOCUMENTS

D112,601 S	12/1938	Delman	
D114,633 S	5/1939	Delman	
D119,326 S	3/1940	Fein	
D119,397 S	3/1940	Perugia	
D119,519 S	3/1940	Zuckerman	
D119,573 S	3/1940	Zuckerman	
D121,466 S	7/1940	Calderazzo	
D121,467 S	7/1940	Calderazzo	
D124,896 S	1/1941	Fein	
2,288,388 A	6/1942	Bolten	
D145,816 S	10/1946	Payne	
D150,001 S	6/1948	Davis	
2,509,423 A	5/1950	Cramer	
D178,809 S *	9/1956	Santist D2/927
D262,750 S	1/1982	Melzi	

DESCRIPTION

FIG. 1 is a perspective view of a transparent shoe heel, showing the new design;

FIG. 2 is an exploded front elevational view thereof;

FIG. 3 is a rear elevational view thereof;

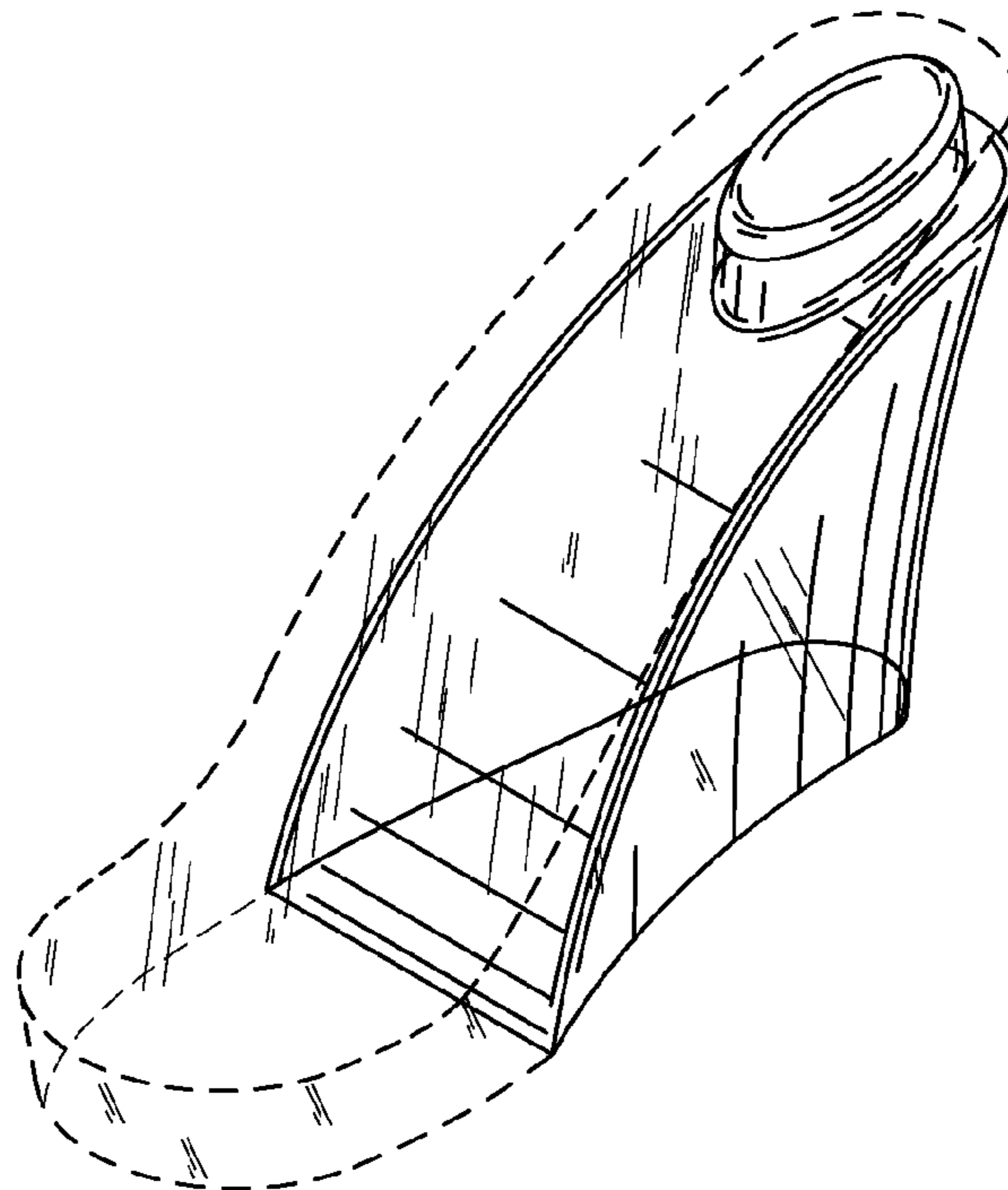
FIG. 4 is a right-side elevational view thereof, the left-side elevational view being a mirror image thereof;

FIG. 5 is a top plan view thereof; and,

FIG. 6 is a bottom plan view thereof.

The broken lines showing a shoe in FIG. 1 are included for the purpose of illustrating the invention in use, and form no part of the claimed design.

1 Claim, 2 Drawing Sheets



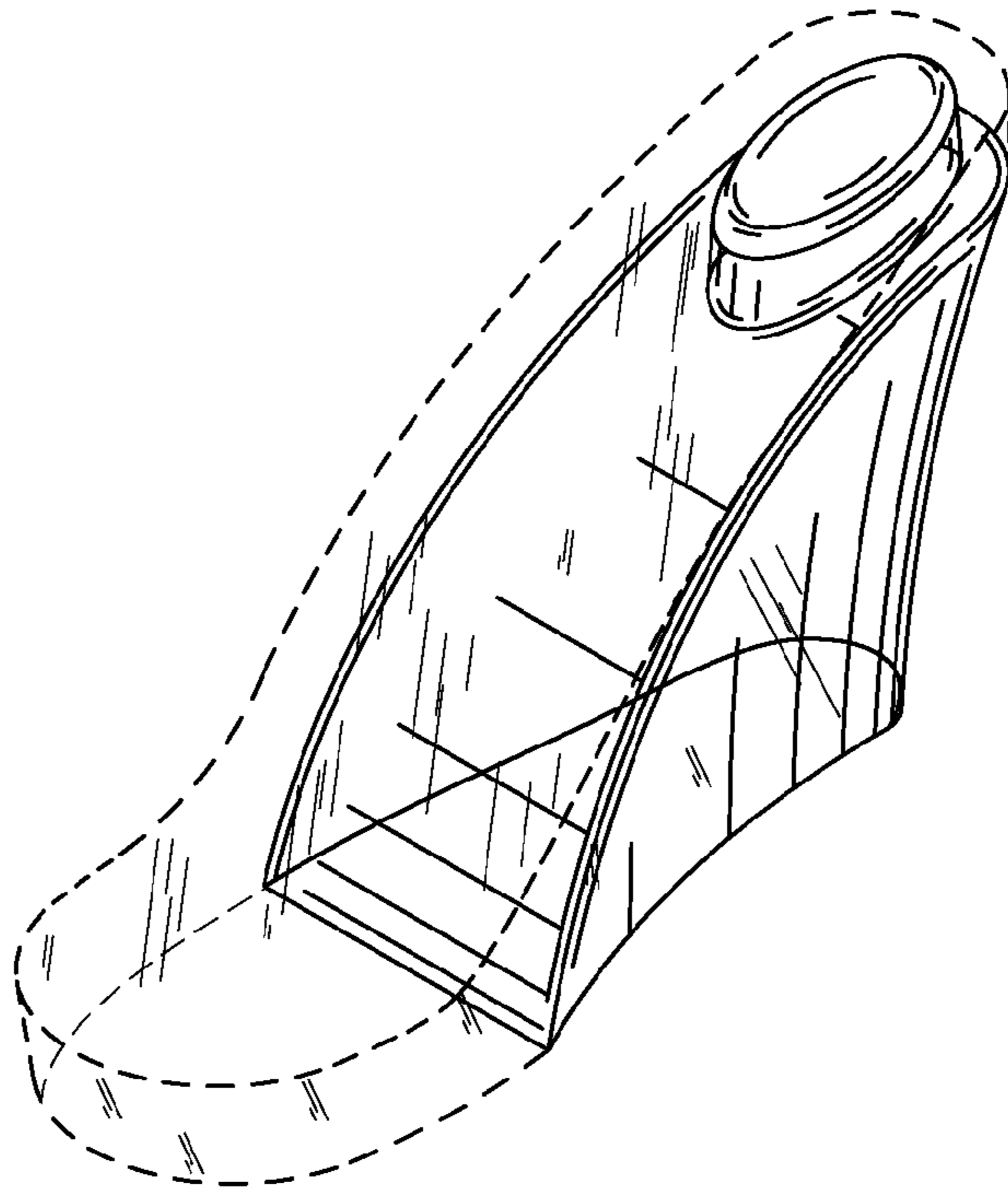


FIG. 1

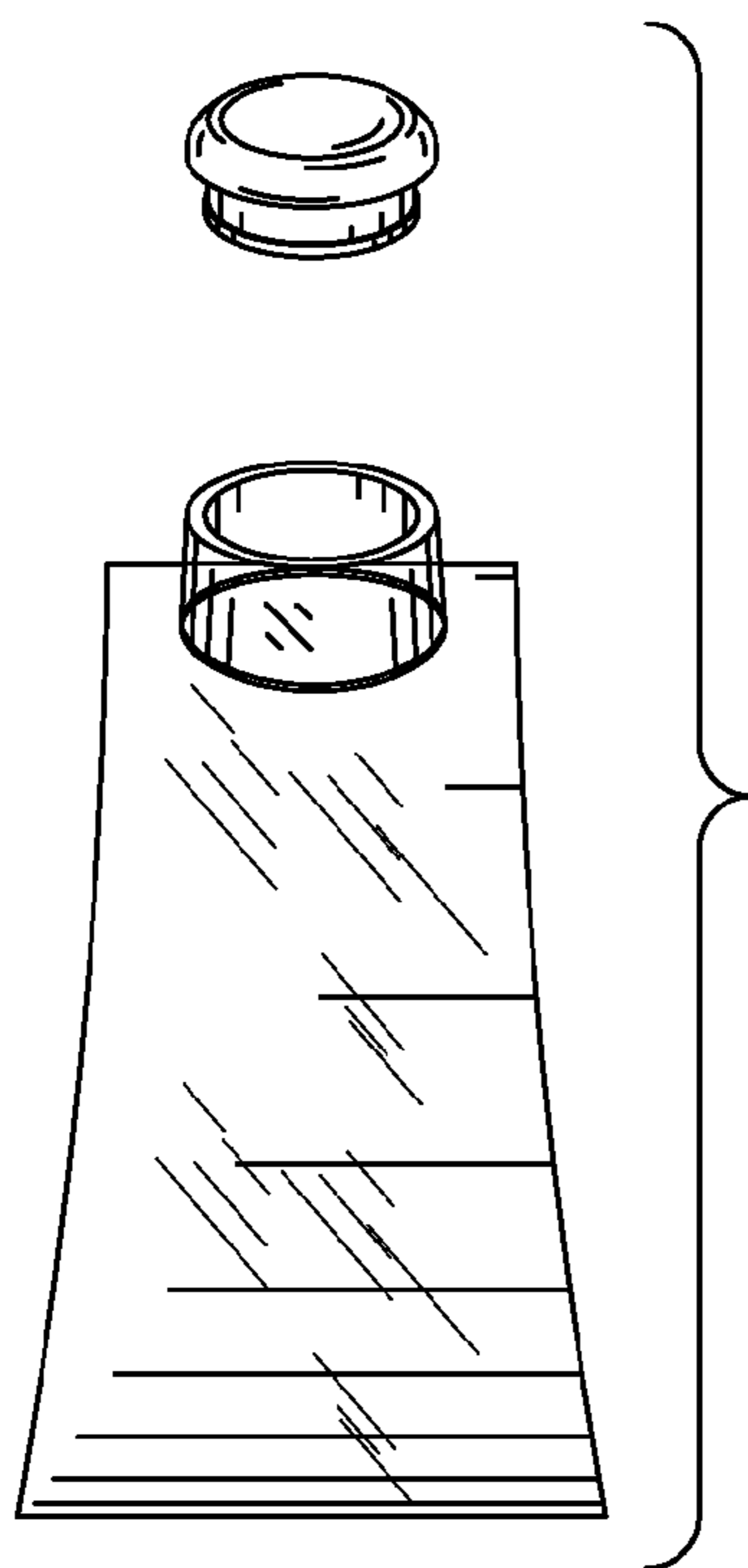


FIG. 2

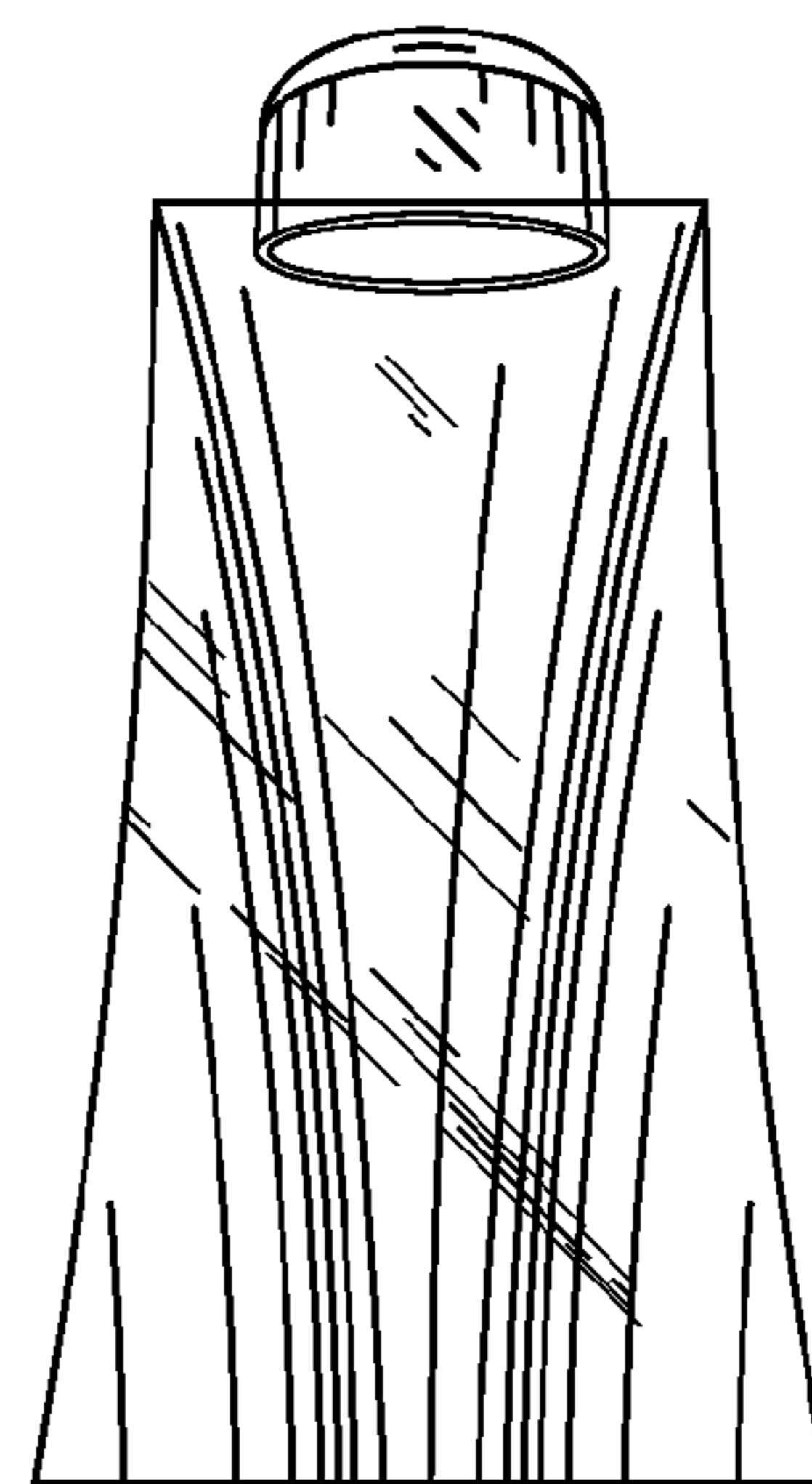


FIG. 3

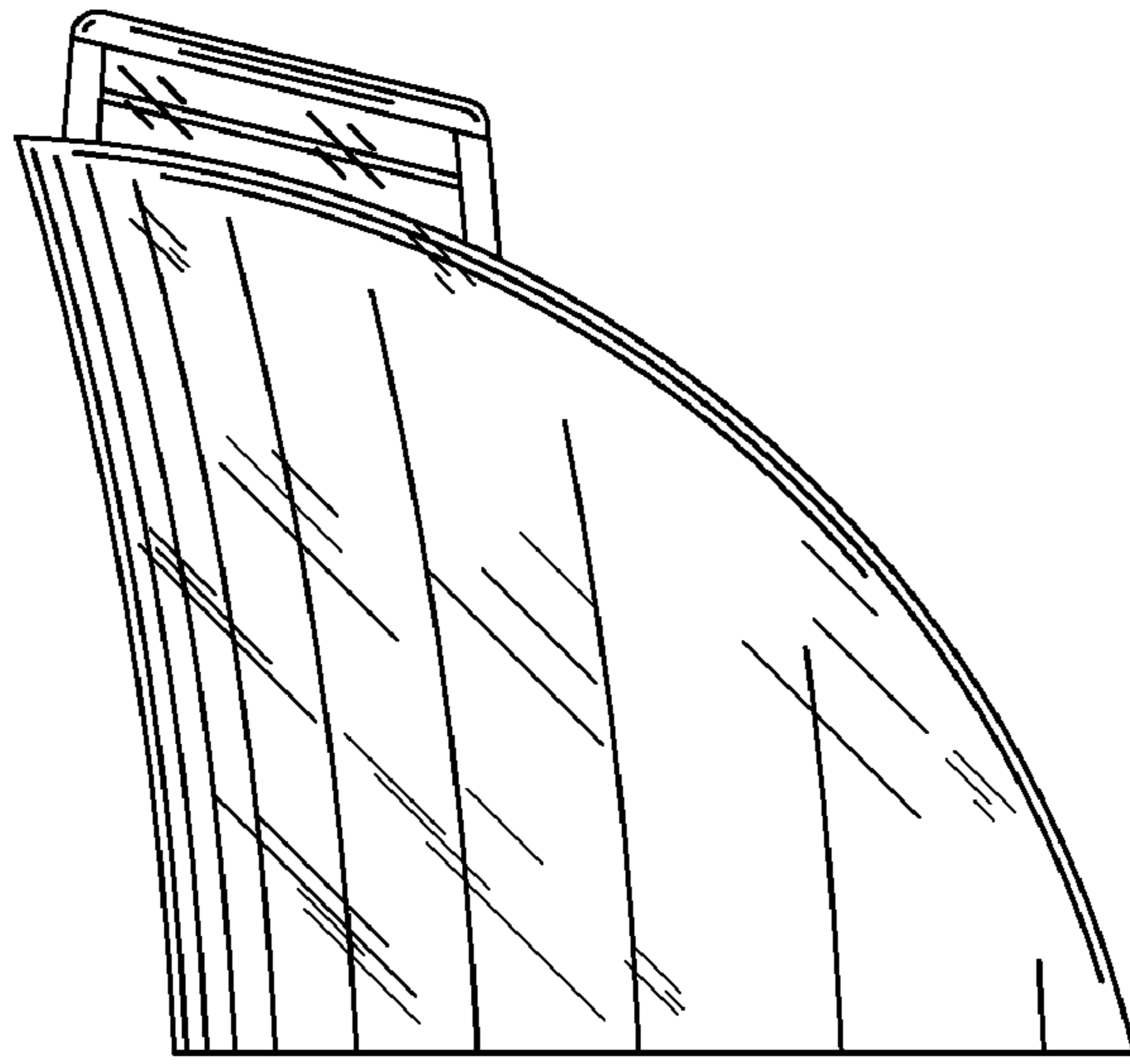


FIG. 4

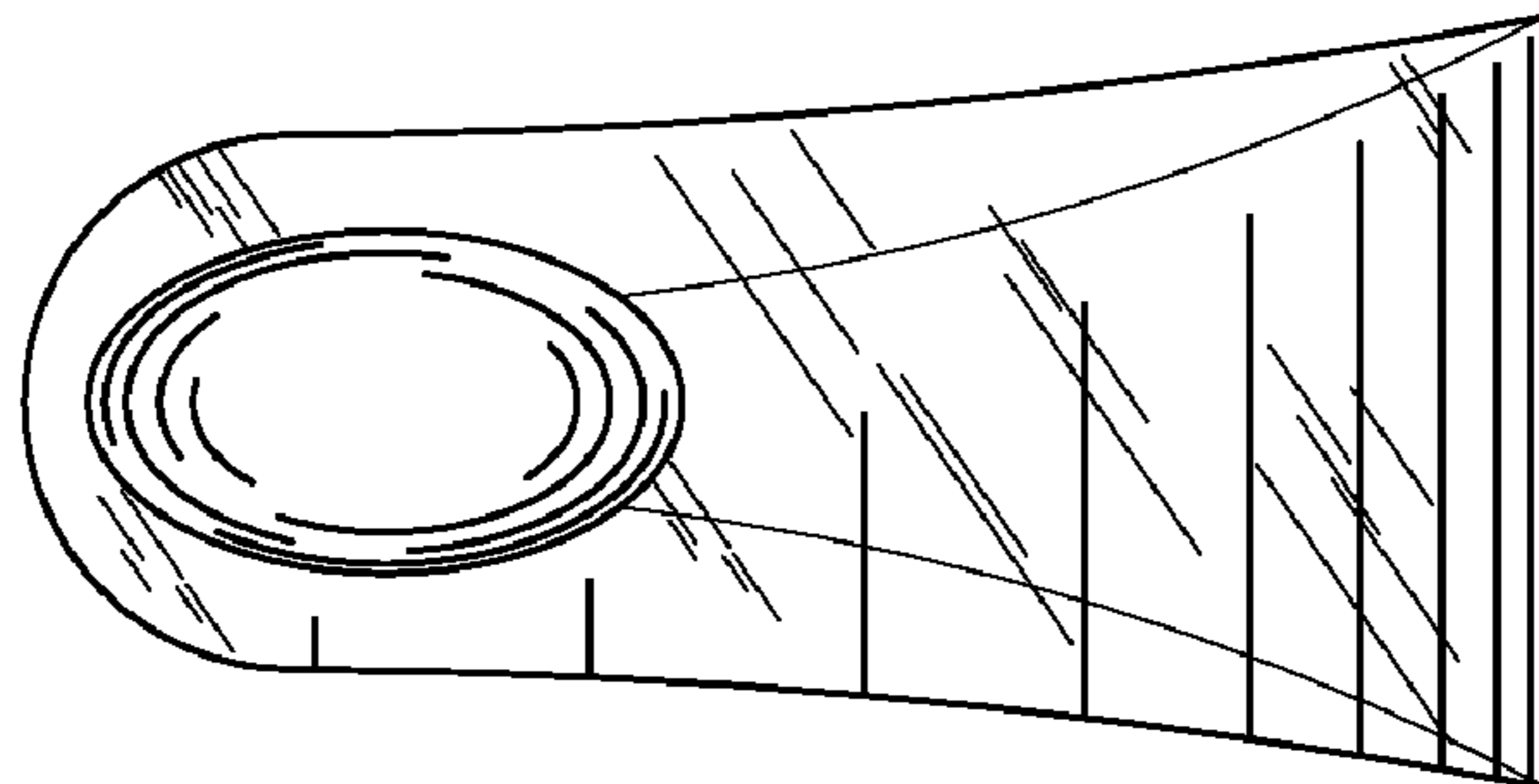


FIG. 5

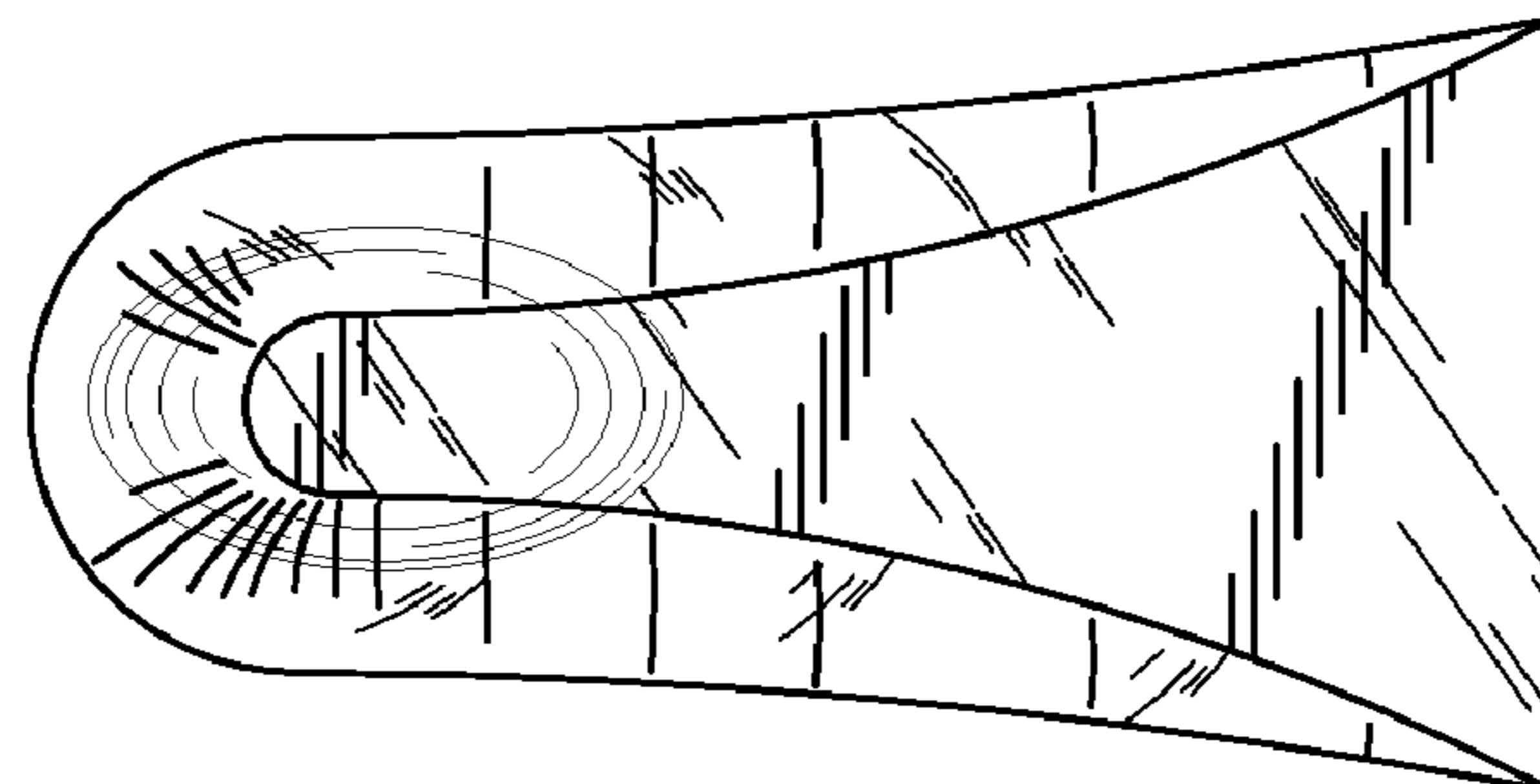


FIG. 6