



US00D631645S

(12) **United States Design Patent**  
**Glennie**

(10) **Patent No.:** **US D631,645 S**  
(45) **Date of Patent:** **\*\* Feb. 1, 2011**

(54) **BOOT**

2002/0129519 A1 9/2002 Cahan  
2004/0181968 A1 9/2004 Haugland

(75) Inventor: **Susan K. Glennie**, Chichester (GB)

FOREIGN PATENT DOCUMENTS

(73) Assignee: **Mulberry Imports Limited** (GB)

EP 0237591 A1 9/1987  
FR 2622775 A1 5/1989  
GB 17200 A 4/1909  
GB 590395 A 7/1947  
GB 2045598 A 11/1980  
GB 2398722 A 9/2004  
JP 7255502 A 10/1995

(\*\*) Term: **14 Years**

(21) Appl. No.: **29/330,884**

(22) Filed: **Jan. 15, 2009**

OTHER PUBLICATIONS

(30) **Foreign Application Priority Data**

Jul. 16, 2008 (EM) ..... 000973581-0001

UK Search Report, Apr. 15, 2008.

\* cited by examiner

(51) **LOC (9) Cl.** ..... **02-04**

(52) **U.S. Cl.** ..... **D2/910**

(58) **Field of Classification Search** ..... D2/896,  
D2/897, 900, 902, 909-913, 946, 969, 970;  
36/45, 50.1, 77 R, 83, 100, 113, 114, 109  
See application file for complete search history.

*Primary Examiner*—Robert M Spear

*Assistant Examiner*—Rashida C McCoy

(74) *Attorney, Agent, or Firm*—Barnes & Thornburg LLP

(57) **CLAIM**

The ornamental design for a boot, as shown and described.

(56) **References Cited**

U.S. PATENT DOCUMENTS

D16,208 S \* 8/1885 Preston ..... D2/910  
D23,234 S \* 5/1894 Nathan ..... D2/910  
D33,991 S \* 1/1901 Watkinson ..... D2/910  
D46,548 S \* 10/1914 Saunders ..... D2/910  
D64,744 S \* 5/1924 Glidden ..... D2/910  
D97,613 S \* 11/1935 Mackey ..... D2/910  
D101,541 S \* 10/1936 Kroop ..... D2/910  
D154,461 S \* 7/1949 Marx ..... D2/910  
D154,501 S \* 7/1949 Marx ..... D2/910  
D154,502 S \* 7/1949 Burt ..... D2/910  
D155,573 S \* 10/1949 Bingham ..... D2/910  
D158,910 S \* 6/1950 Suyama ..... D2/910  
D165,400 S \* 12/1951 Spinali ..... D2/910  
3,319,360 A \* 5/1967 Nadler ..... 36/4  
D238,911 S \* 2/1976 Person ..... D2/910  
D253,137 S \* 10/1979 Foldes ..... D2/910  
4,489,509 A 12/1984 Libit  
D282,408 S \* 2/1986 Nissenbaum ..... D2/910  
D369,894 S \* 5/1996 Stolberg ..... D2/910  
D370,114 S \* 5/1996 Vance et al. .... D2/910

**DESCRIPTION**

FIG. 1 is a perspective view of a boot, showing my new design.

FIG. 2 is a front elevational view thereof.

FIG. 3 is a side elevational view thereof.

FIG. 4 is a side elevational view of the side opposite to FIG. 3.

FIG. 5 is a rear elevational view thereof.

FIG. 6 is a perspective view thereof, when compressed.

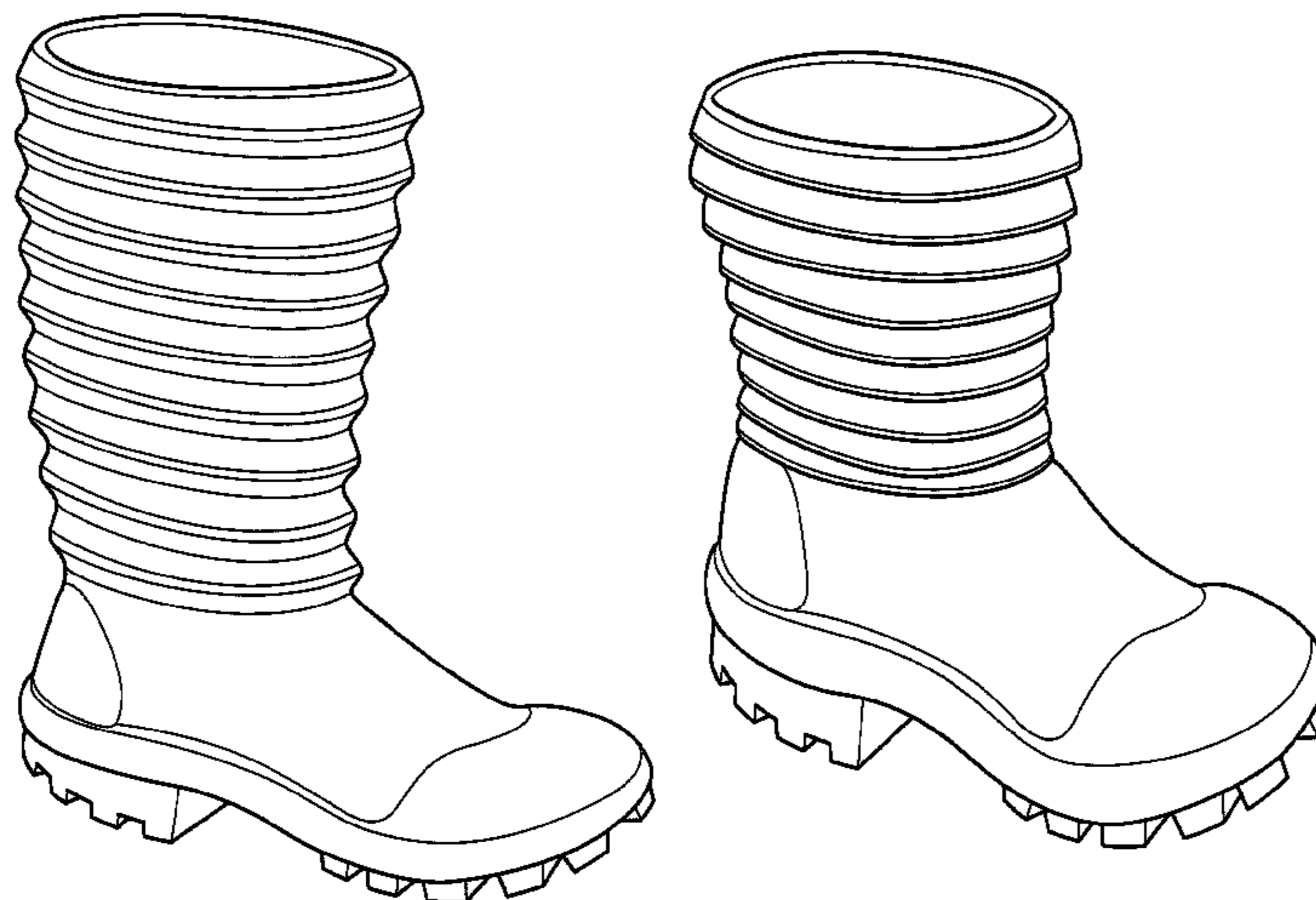
FIG. 7 is a front elevational view thereof, when compressed.

FIG. 8 is a side elevational view thereof, when compressed.

FIG. 9 is a side elevational view of the side opposite to FIG. 8, when compressed; and,

FIG. 10 is a rear elevational view thereof, when compressed.

**1 Claim, 10 Drawing Sheets**



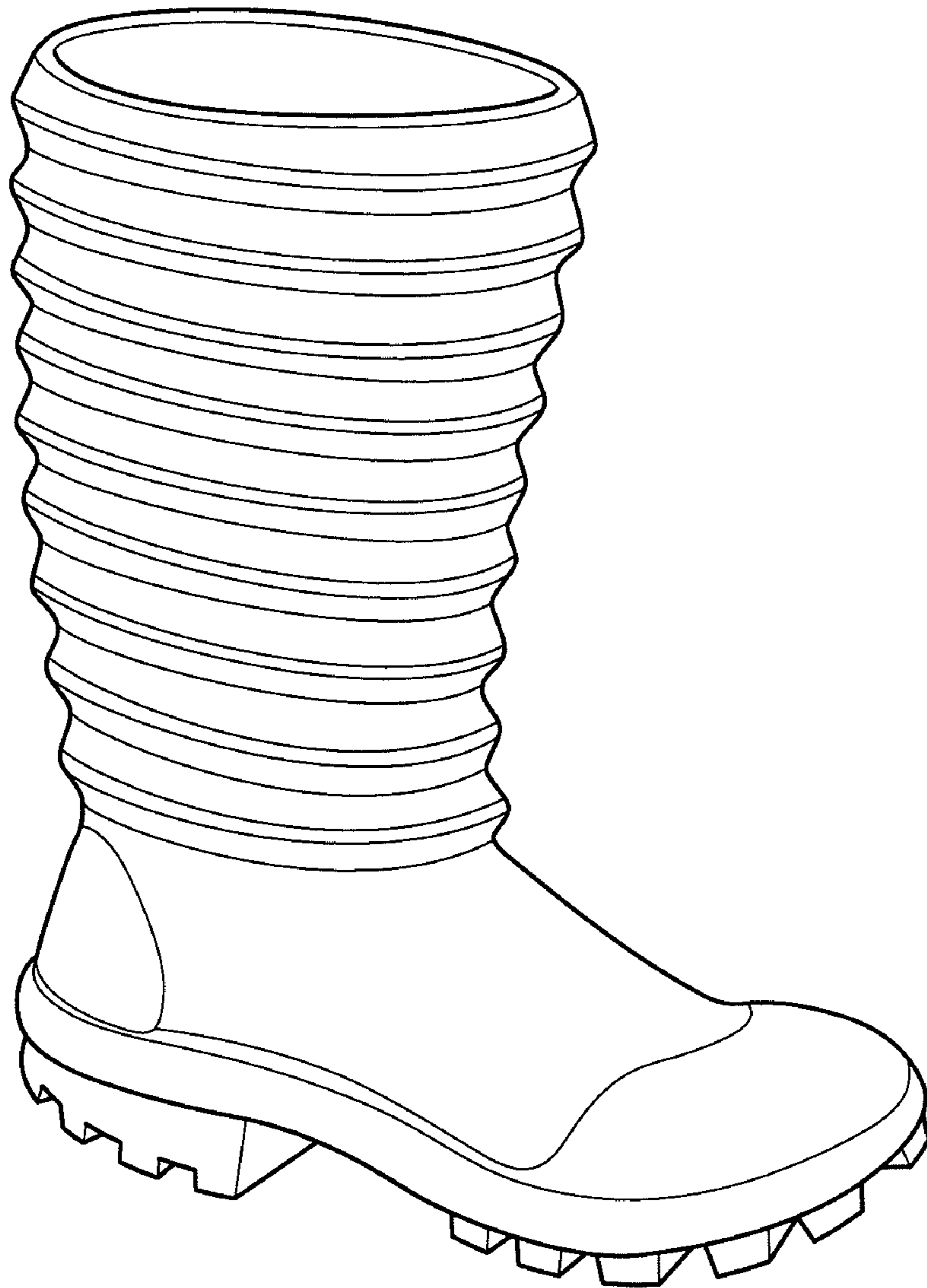


FIG. 1

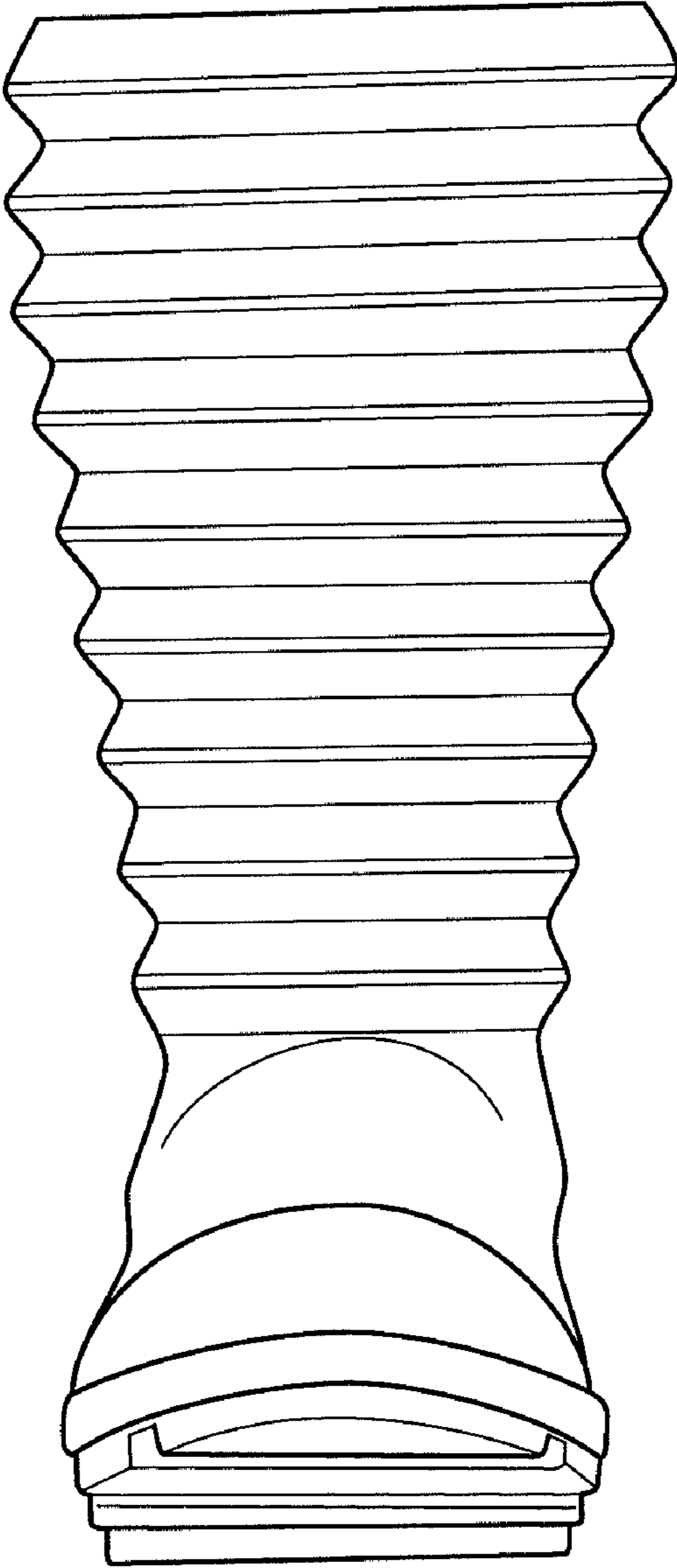


FIG. 2

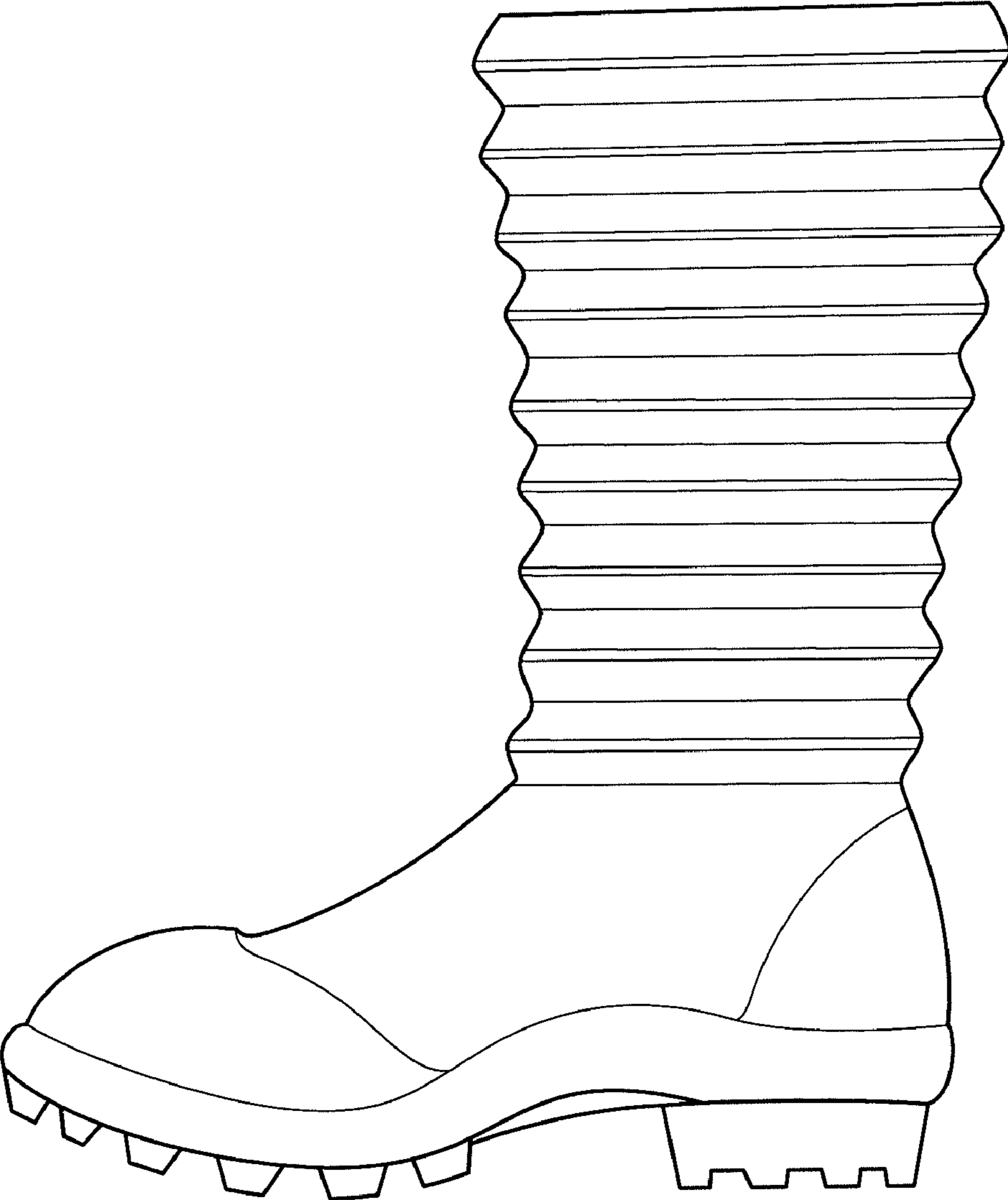


FIG. 3

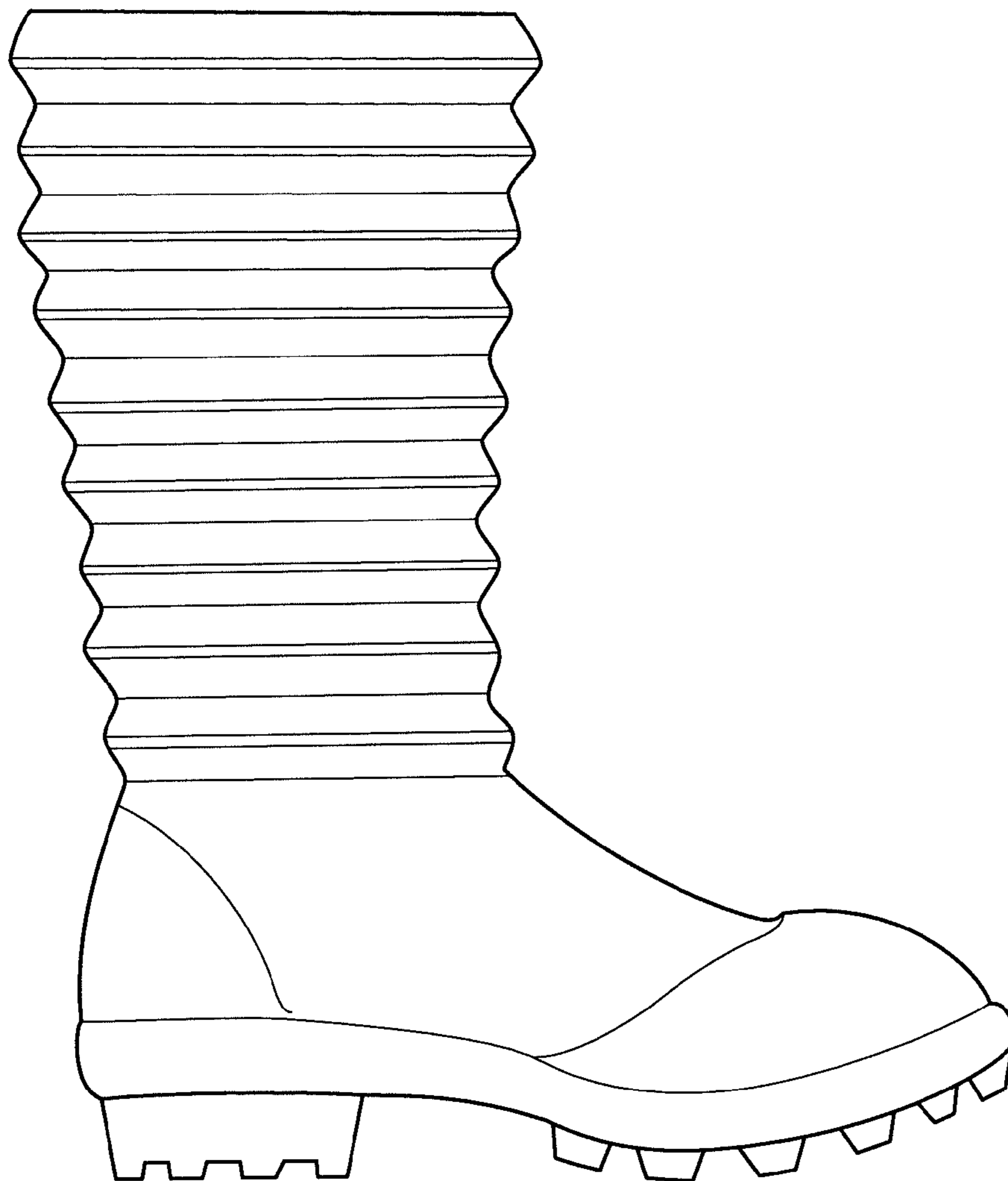


FIG. 4

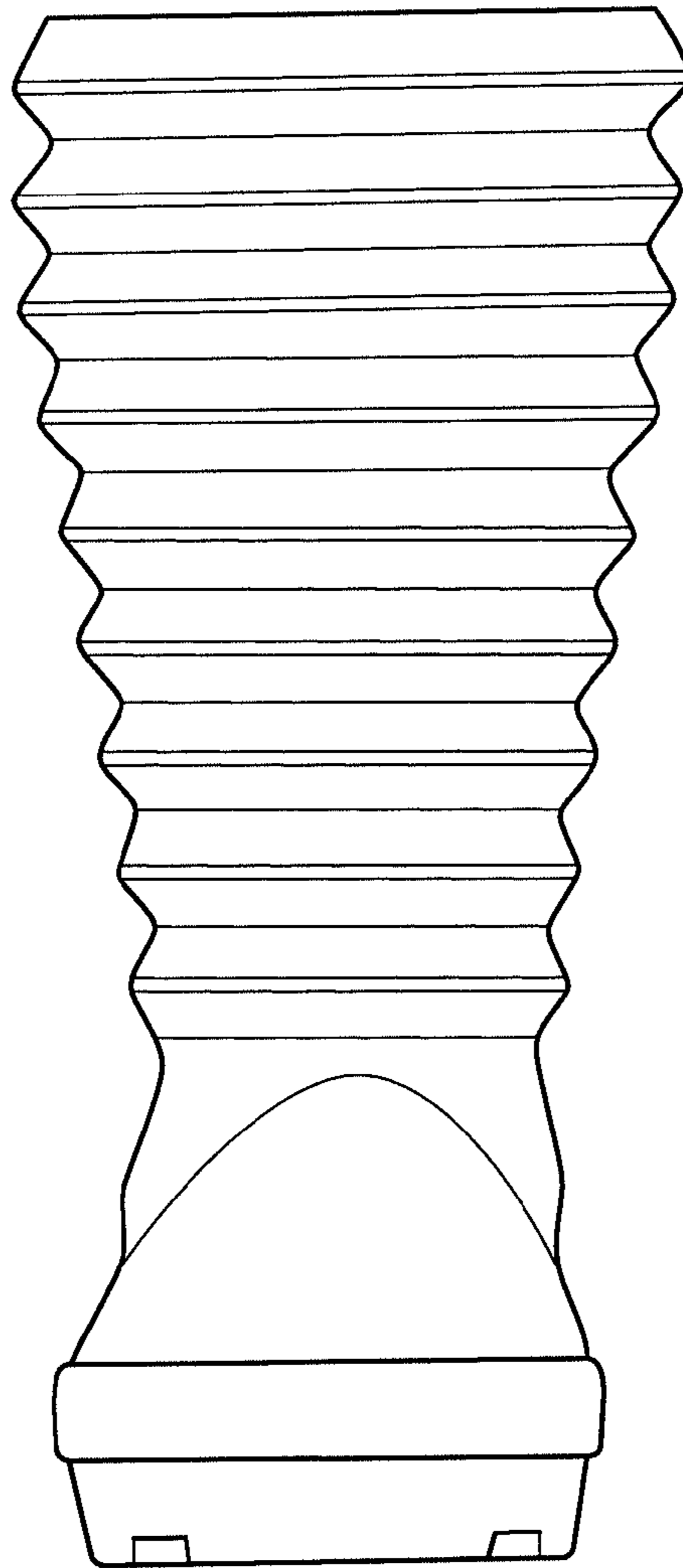


FIG. 5

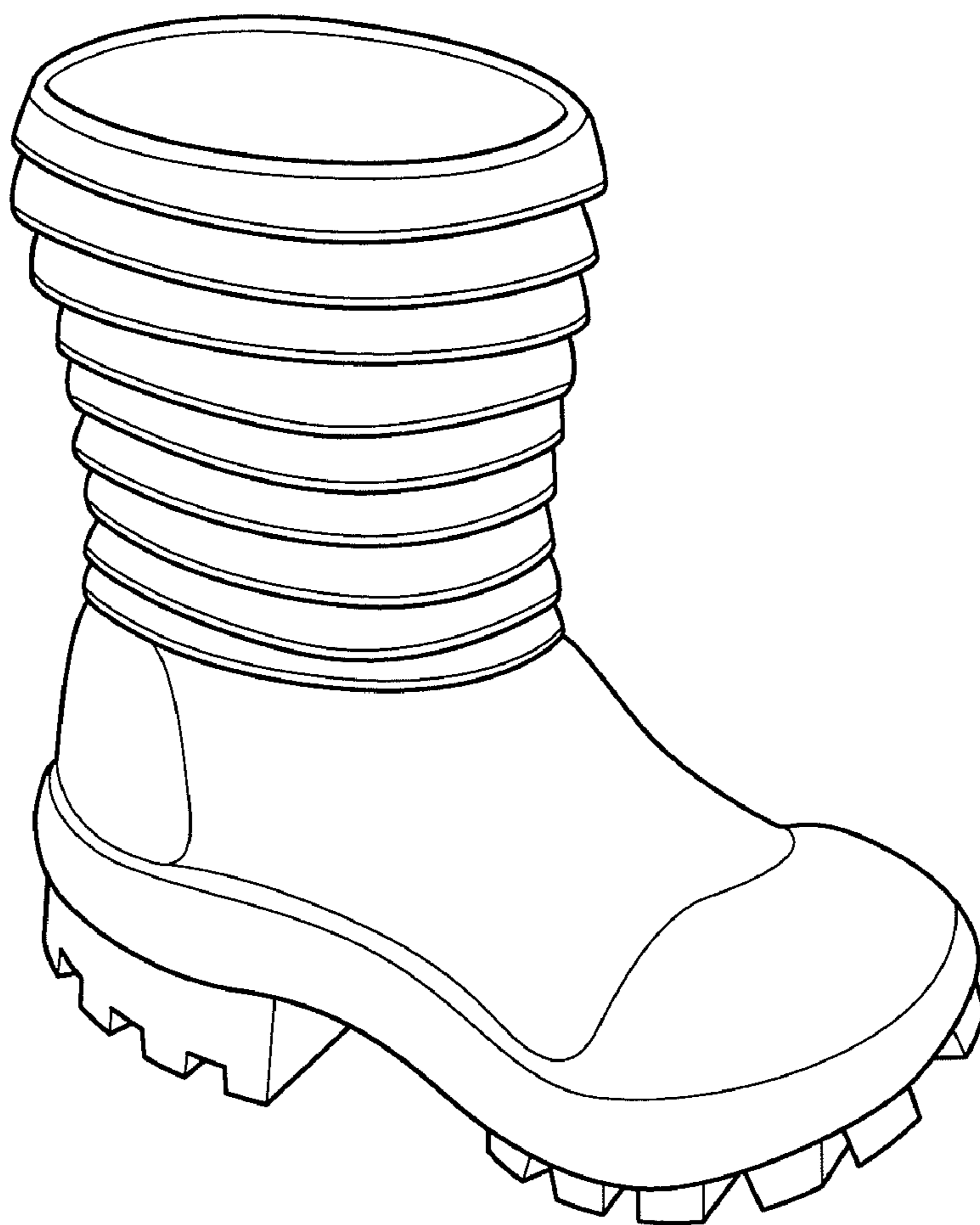


FIG. 6

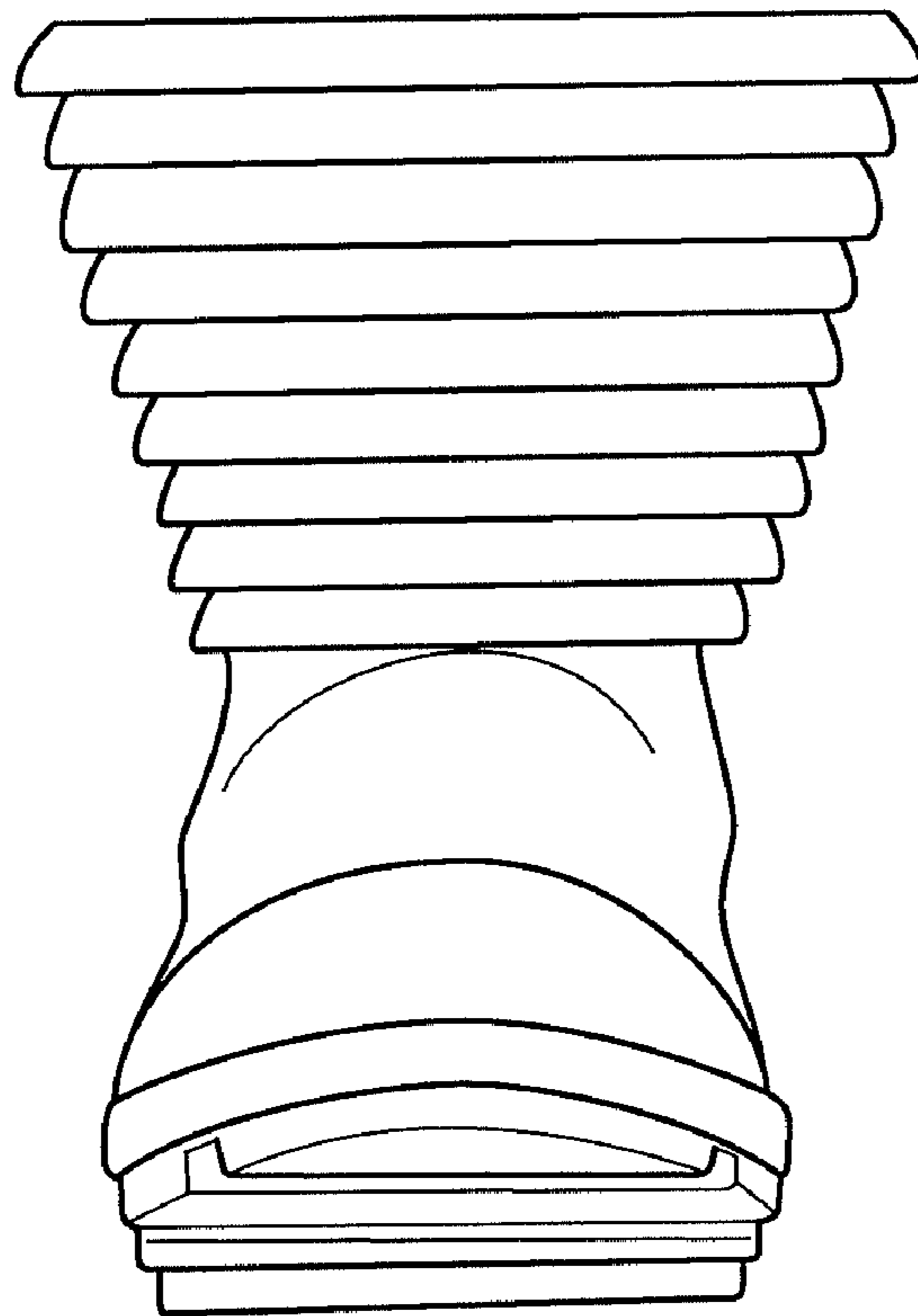


FIG. 7



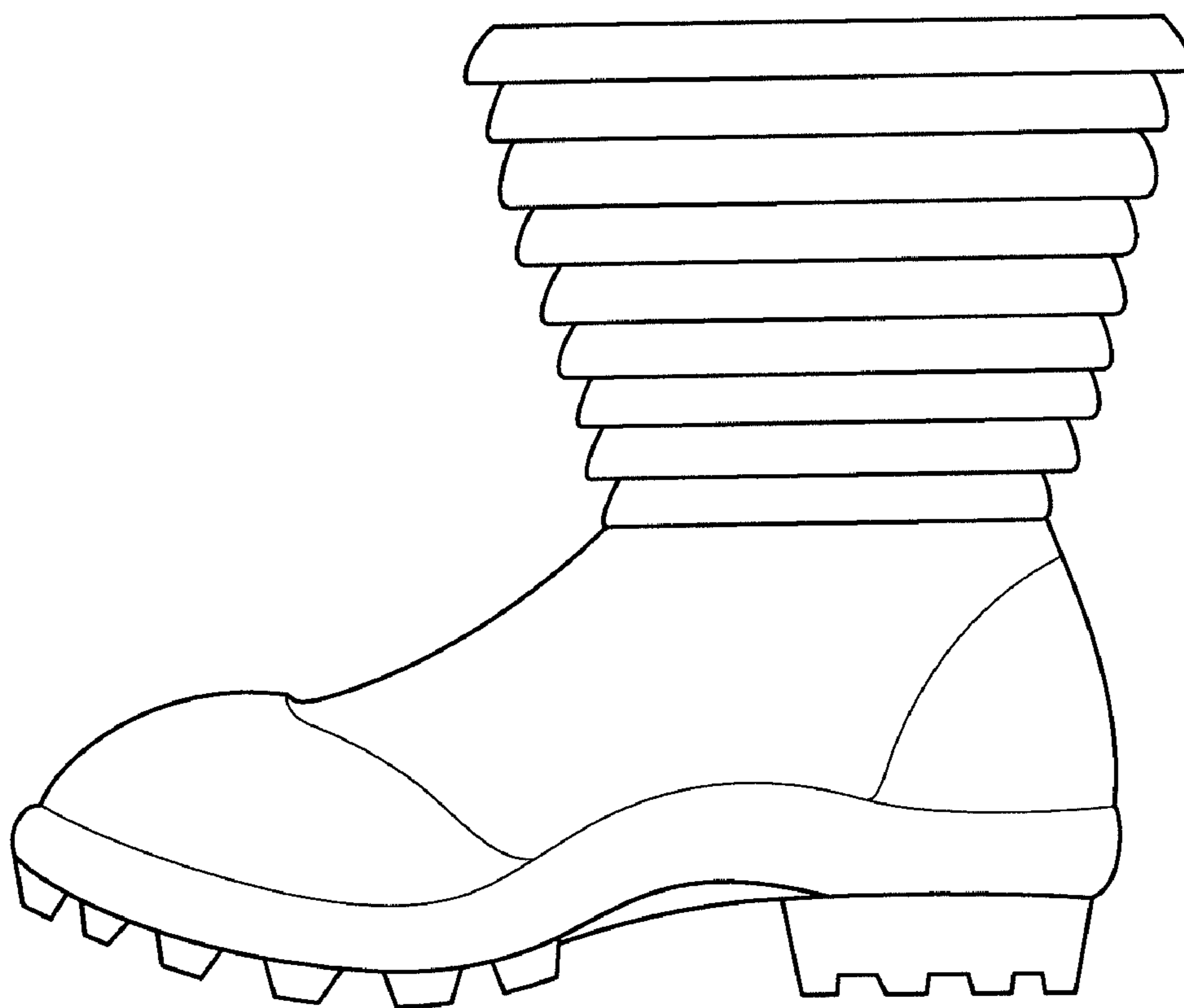


FIG. 8



FIG. 9

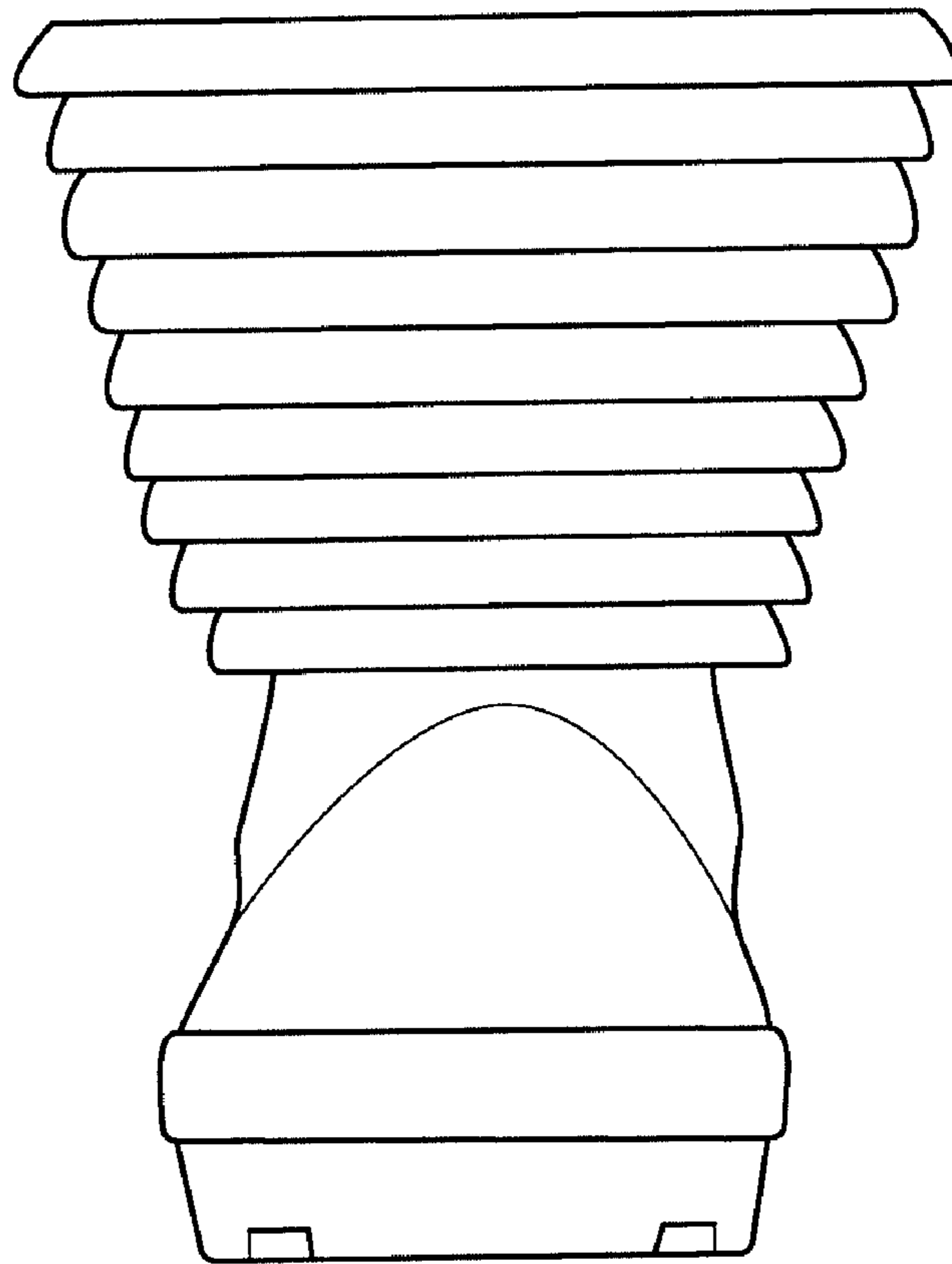


FIG. 10