



US00D631636S

(12) **United States Design Patent**  
**Hague**

(10) **Patent No.:** **US D631,636 S**

(45) **Date of Patent:** **\*\* Feb. 1, 2011**

(54) **ANIMAL CHEW**

(76) **Inventor:** **Frank Jay Hague**, 7212 Stilton Ct.,  
Colleyville, TX (US) 76034

(\*\*) **Term:** **14 Years**

(21) **Appl. No.:** **29/357,318**

(22) **Filed:** **Mar. 10, 2010**

(51) **LOC (9) Cl.** ..... **01-01**

(52) **U.S. Cl.** ..... **D1/106; D1/199**

(58) **Field of Classification Search** ..... D1/100,  
D1/101, 106, 120, 121, 125, 127-128, 199,  
D1/104; D30/160, 158; D24/102, 103, 211-212;  
426/2, 104, 635, 805; 119/706-711, 702;  
D21/386, 707; D4/104-112, 136; 15/167.1,  
15/167.2, 110, 188

See application file for complete search history.

(56) **References Cited**

**U.S. PATENT DOCUMENTS**

D496,518	S	*	9/2004	Tepper et al.	.....	D1/106
D551,977	S	*	10/2007	Daniels	.....	D9/456
D552,634	S	*	10/2007	Janiszewski	.....	D15/90
D576,358	S	*	9/2008	Rutherford	.....	D30/160
D578,714	S	*	10/2008	Rutherford	.....	D30/160
7,662,414	B1	*	2/2010	Lawlor	.....	426/2
D620,226	S	*	7/2010	Adkins	.....	D1/106
2010/0260905	A1	*	10/2010	Axelrod et al.	.....	426/311

**OTHER PUBLICATIONS**

Nylabone Durable Pooch Pacifier Chew Bone Value Pack, petco.com/.../Nylabne-Durable-Pooch-... Mar. 9, 2010, 3 webpages.

Nylabone Durable & Healthy Edibles Value Pack, petco.com/.../Nylabone-Durable-and-H-..., Mar. 9, 2010, 3 webpages.

Nylabone Healthy Edibles Lamb & Apples Puppy Chews, petco.com/.../Nylabone-Healthy-Edibles..., Mar. 9, 2010, 3 webpages.

Durable Chicken Chew Petite, ...animal-world.com/.../Durable-Chicken..., Mar. 9, 2010, 1 webpage.

Busy Bone Dog Chews, petco.com/.../Busy-Bone-Dog-Chews.as..., Mar. 9, 2010, 3 webpages.

\* cited by examiner

*Primary Examiner*—Cathron C Brooks

*Assistant Examiner*—Barbara Fox

(74) *Attorney, Agent, or Firm*—Geoffrey A. Mantooth

(57) **CLAIM**

The ornamental design for an animal chew, as shown and described.

**DESCRIPTION**

FIG. 1 is an isometric top, right side and end view of an animal chew, showing my new design;

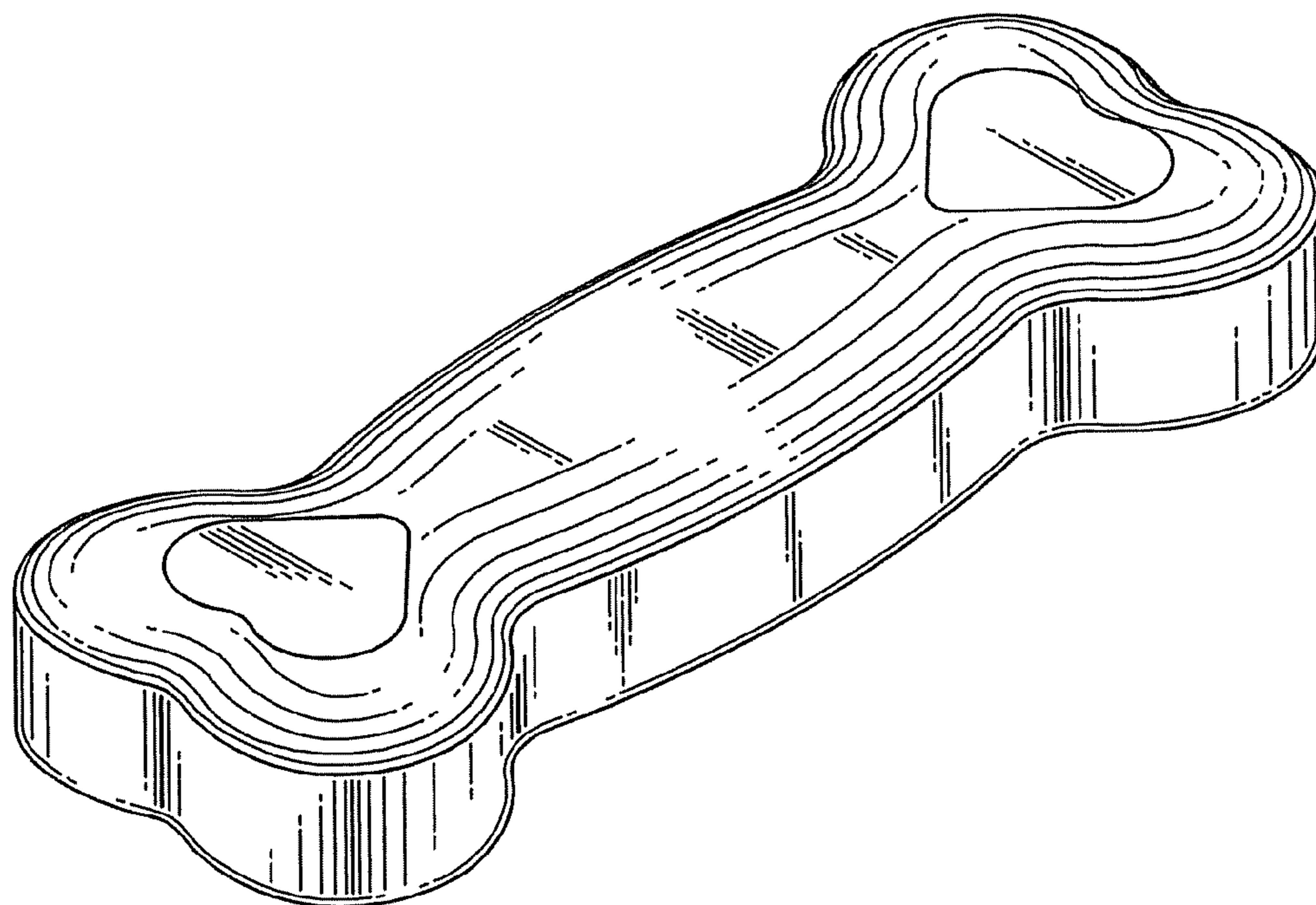
FIG. 2 is a top plan view thereof;

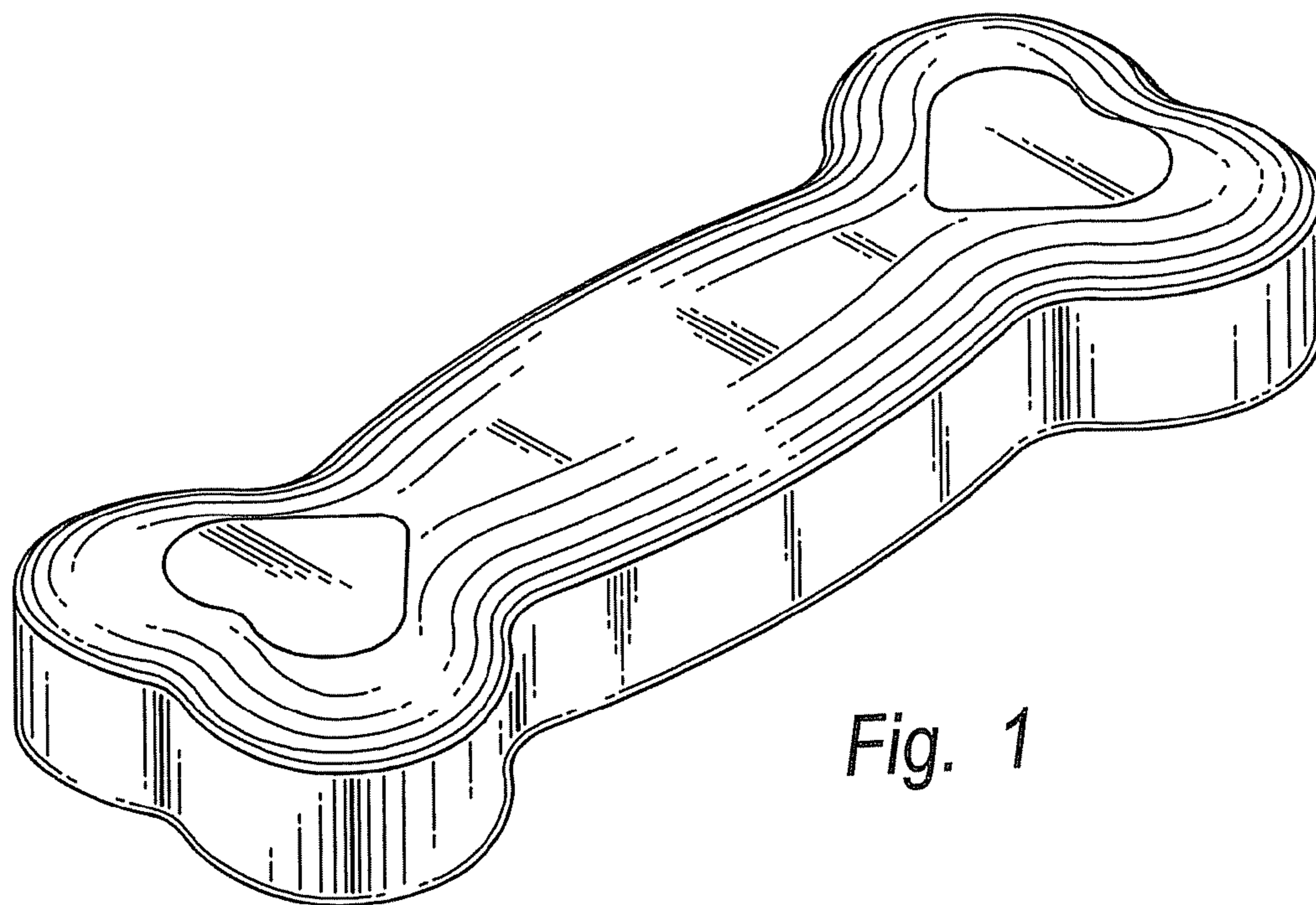
FIG. 3 is a bottom plan view thereof;

FIG. 4 is a side view, the opposite side view being the same image thereof; and,

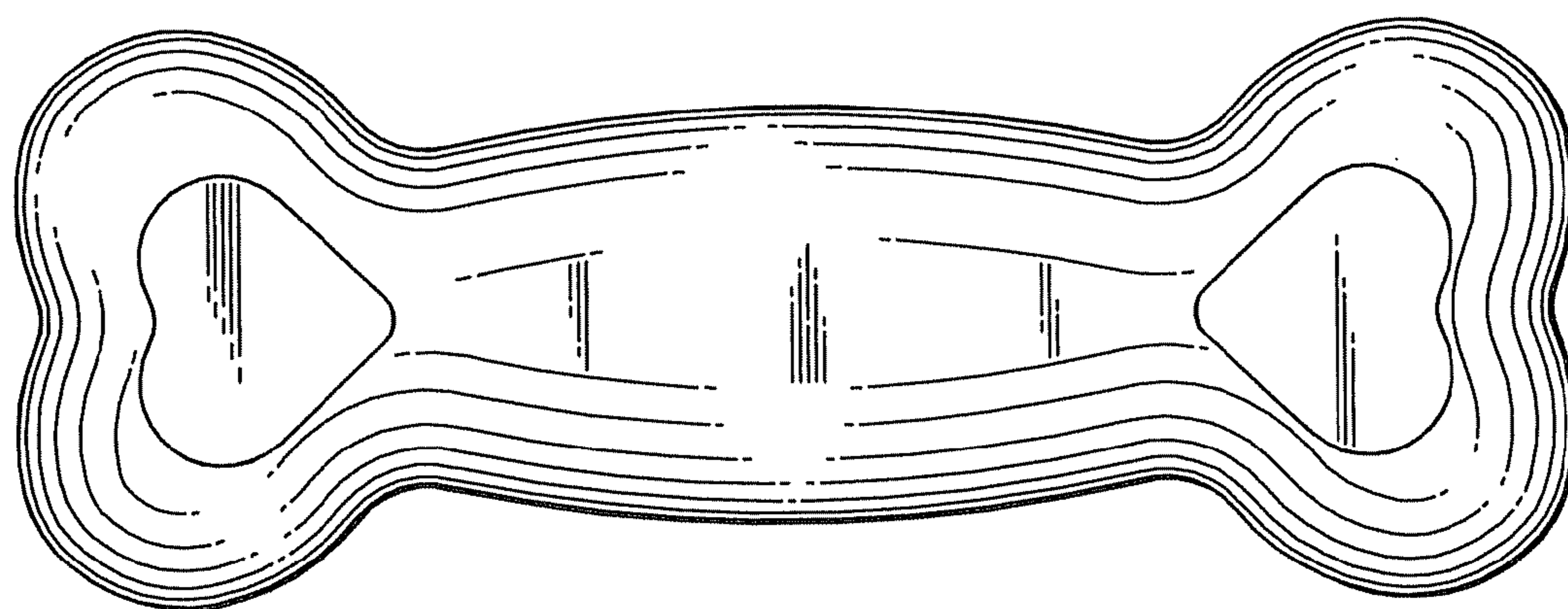
FIG. 5 is an end view, the opposite end view being the same image thereof.

**1 Claim, 2 Drawing Sheets**

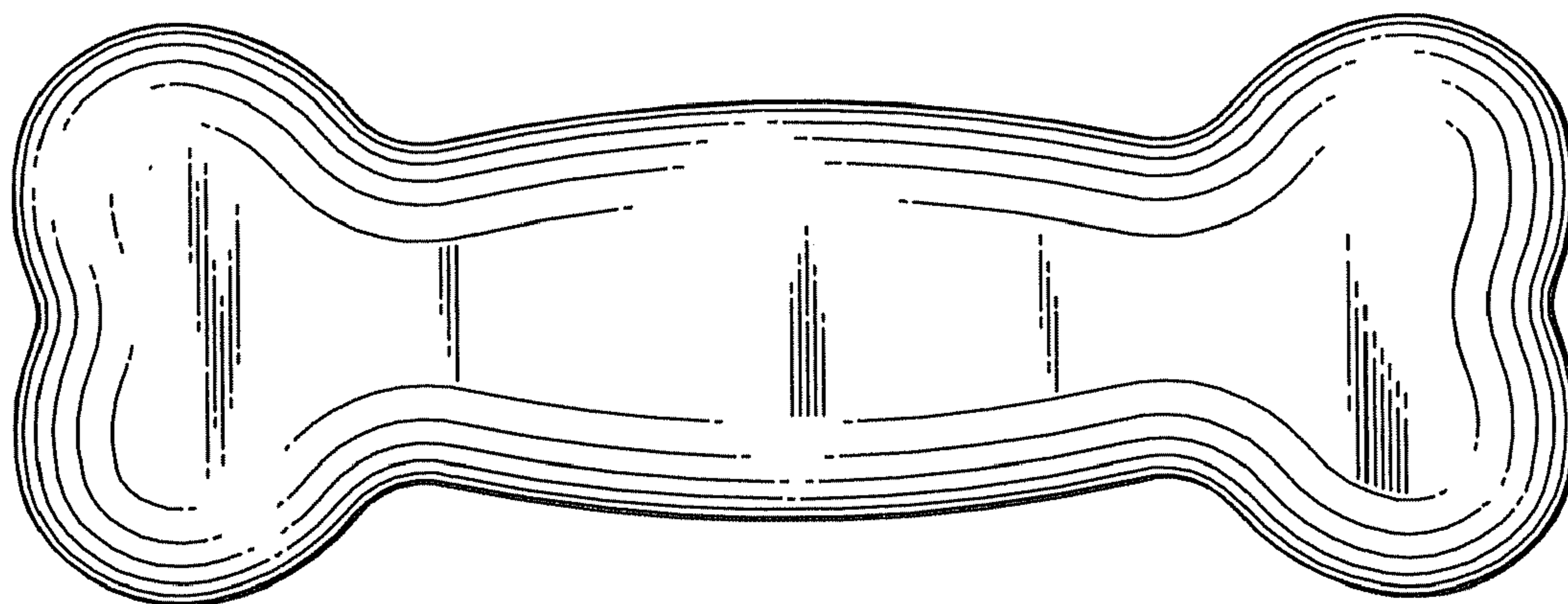




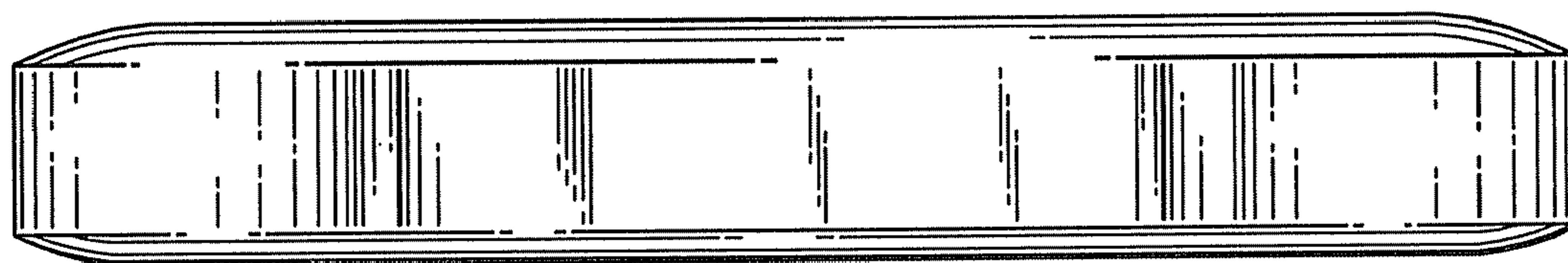
*Fig. 1*



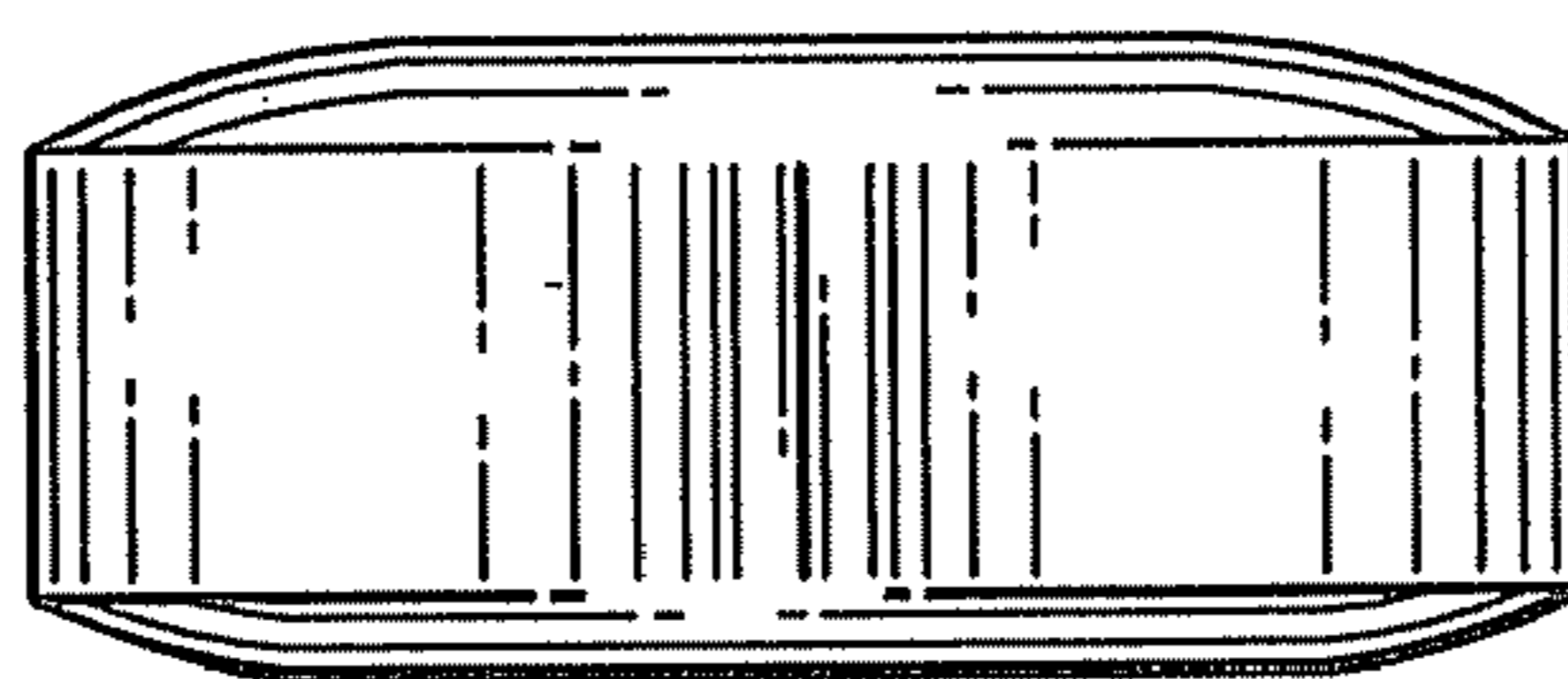
*Fig. 2*



*Fig. 3*



*Fig. 4*



*Fig. 5*