



US00D631628S

(12) **United States Design Patent**
Benacquisto et al.

(10) **Patent No.:** **US D631,628 S**
(45) **Date of Patent:** **** Jan. 25, 2011**

(54) **VACUUM CLEANER UPRIGHT PORTION**

(75) Inventors: **Justin Benacquisto**, Caledonia, MI (US); **Douglas J. Medema**, Belding, MI (US)

(73) Assignee: **BISSELL Homecare, Inc.**, Grand Rapids, MI (US)

(**) Term: **14 Years**

(21) Appl. No.: **29/350,679**

(22) Filed: **Nov. 20, 2009**

(51) **LOC (9) Cl.** **15-05**

(52) **U.S. Cl.** **D32/31**

(58) **Field of Classification Search** D32/22,
D32/31, 15, 16, 34; 15/320, 329, 340.2,
15/335, 347, 350, 352, 353, 344, 361, 363,
15/410, 415.1

See application file for complete search history.

(56) **References Cited**

U.S. PATENT DOCUMENTS

- D532,944 S * 11/2006 Choi D32/22
- D533,976 S * 12/2006 Luebbering et al. D32/31
- D535,069 S * 1/2007 Breit D32/22
- D547,505 S * 7/2007 Carr et al. D32/31
- D553,313 S * 10/2007 Parr et al. D32/22

- D598,617 S * 8/2009 Santiago D32/31
- D609,415 S * 2/2010 Hill et al. D32/31
- D609,416 S * 2/2010 Hill et al. D32/31
- D609,418 S * 2/2010 Santiago et al. D32/31
- 2007/0209147 A1 * 9/2007 Krebs et al. 15/347

* cited by examiner

Primary Examiner—Ruth McInroy

(74) *Attorney, Agent, or Firm*—McGarry Bair PC

(57) **CLAIM**

The ornamental design for a vacuum cleaner upright portion, as shown and described.

DESCRIPTION

FIG. 1 is a front perspective view of a vacuum cleaner upright portion which embodies our design;

FIG. 2 is a front view thereof;

FIG. 3 is a rear view thereof;

FIG. 4 is a left side view thereof;

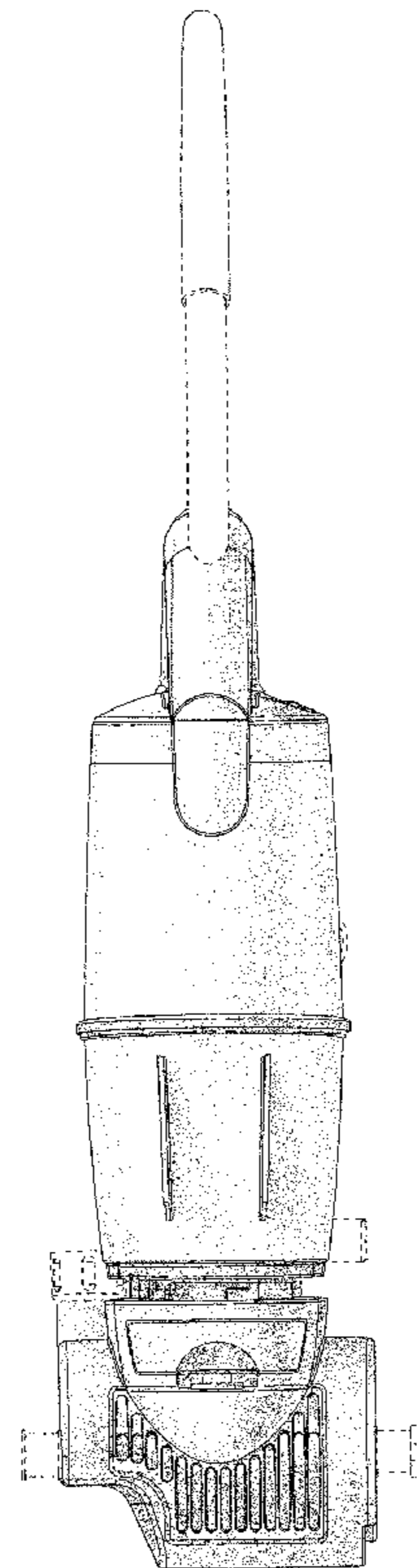
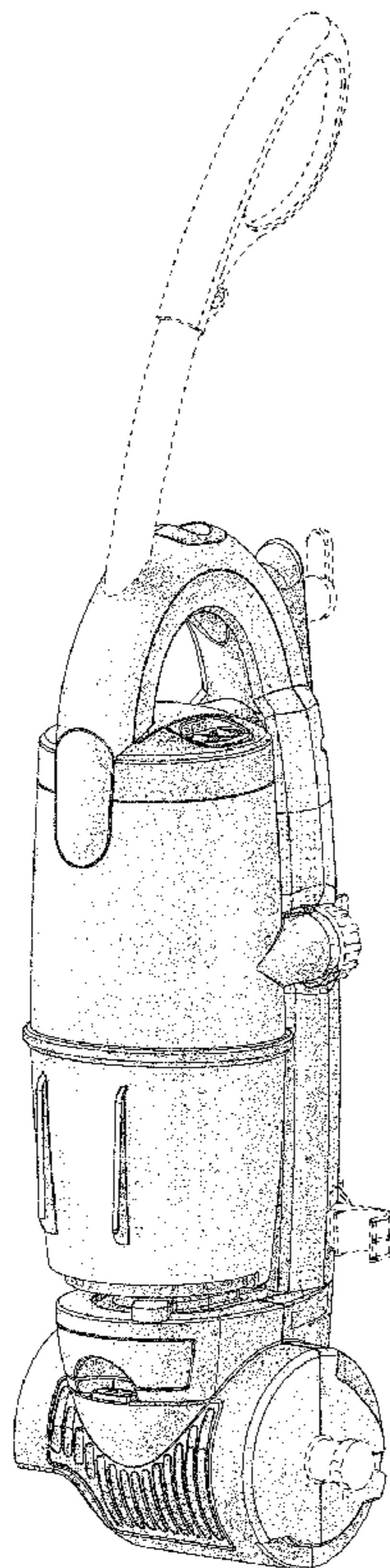
FIG. 5 is a right side view thereof;

FIG. 6 is a top view thereof; and,

FIG. 7 is a bottom view thereof.

The details shown in broken lines form no part of the claimed design.

1 Claim, 4 Drawing Sheets



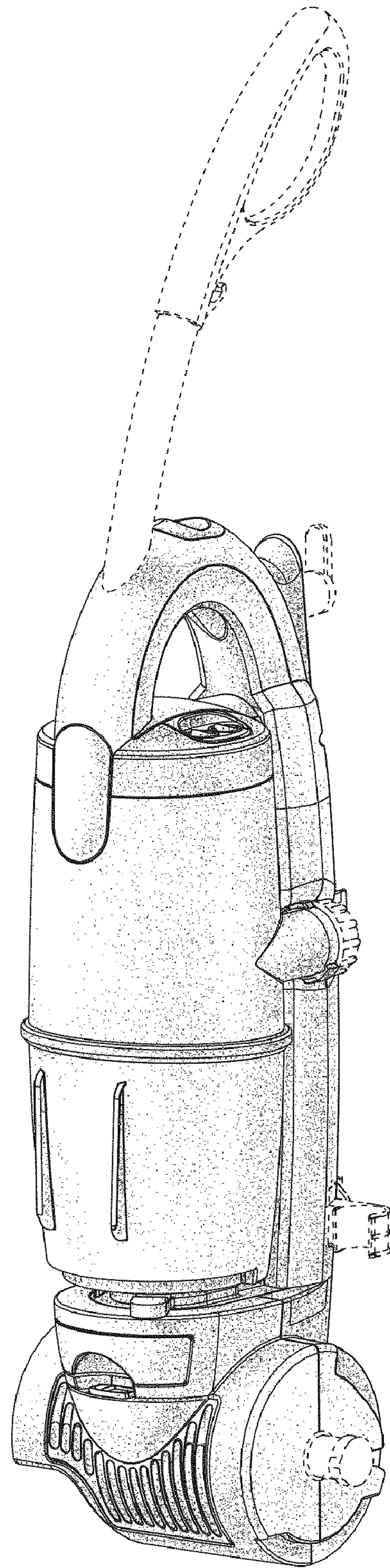


Fig. 1

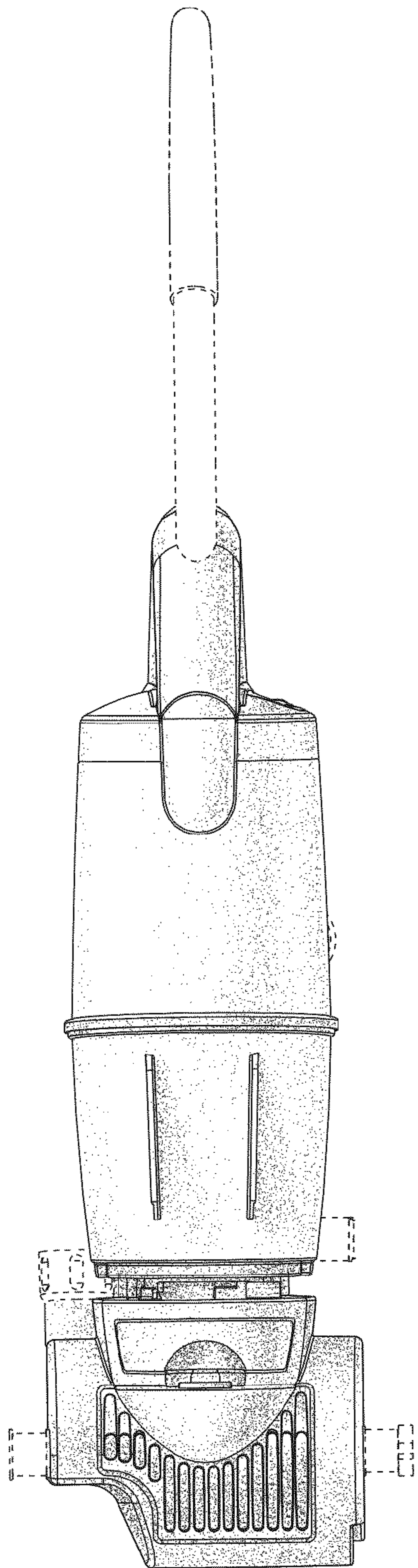


Fig. 2

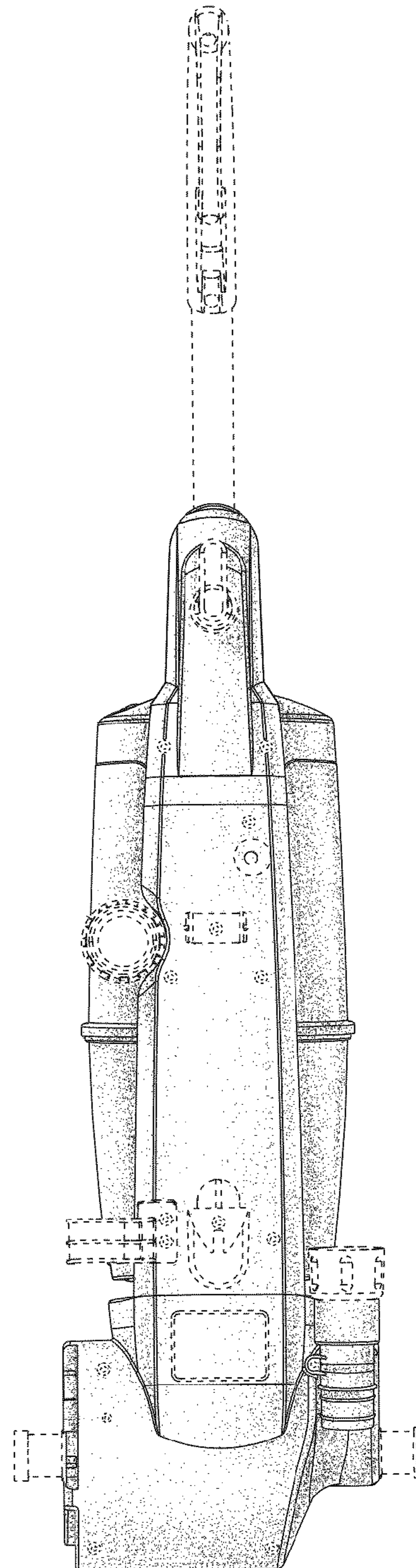


Fig. 3

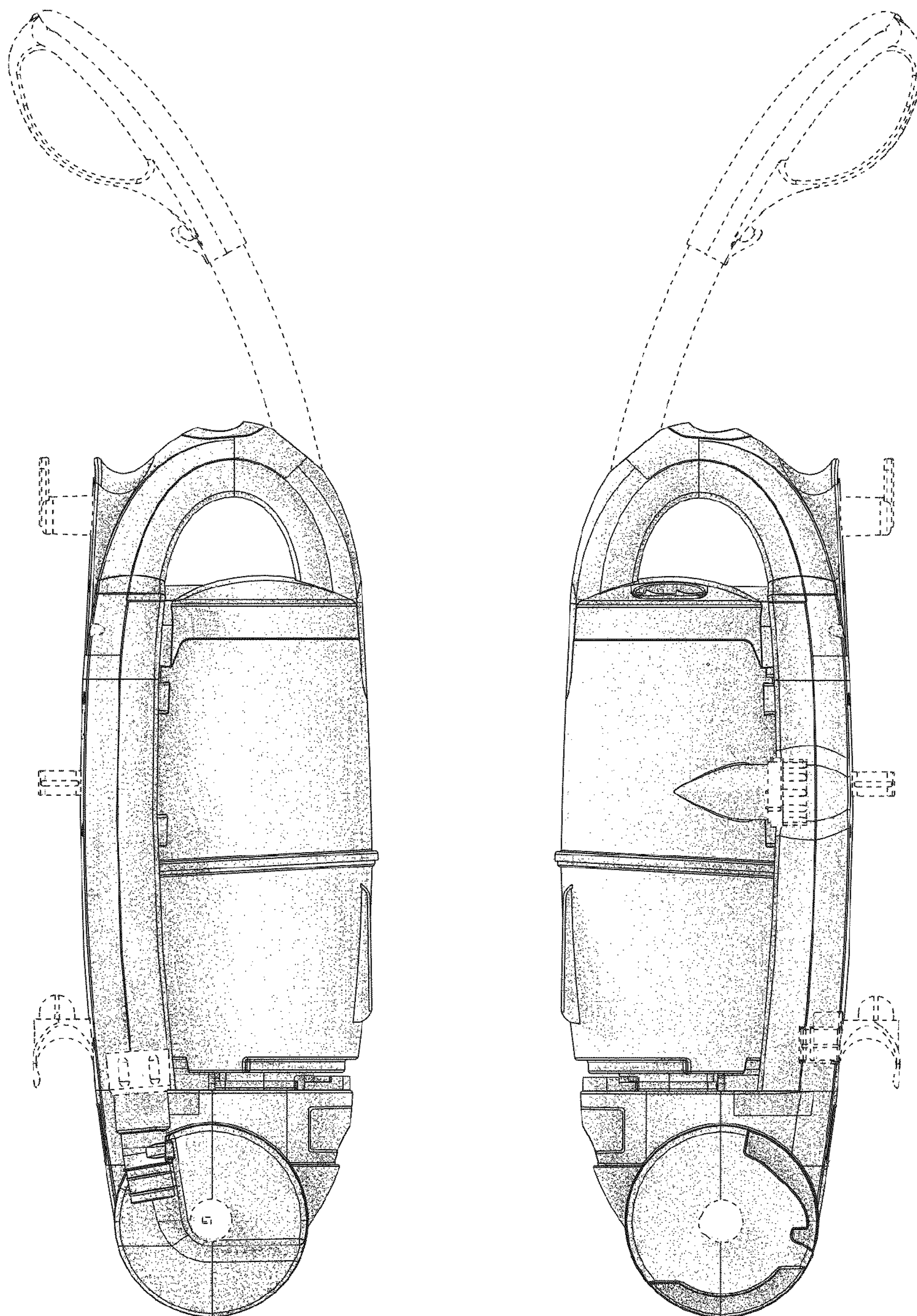


Fig. 4

Fig. 5

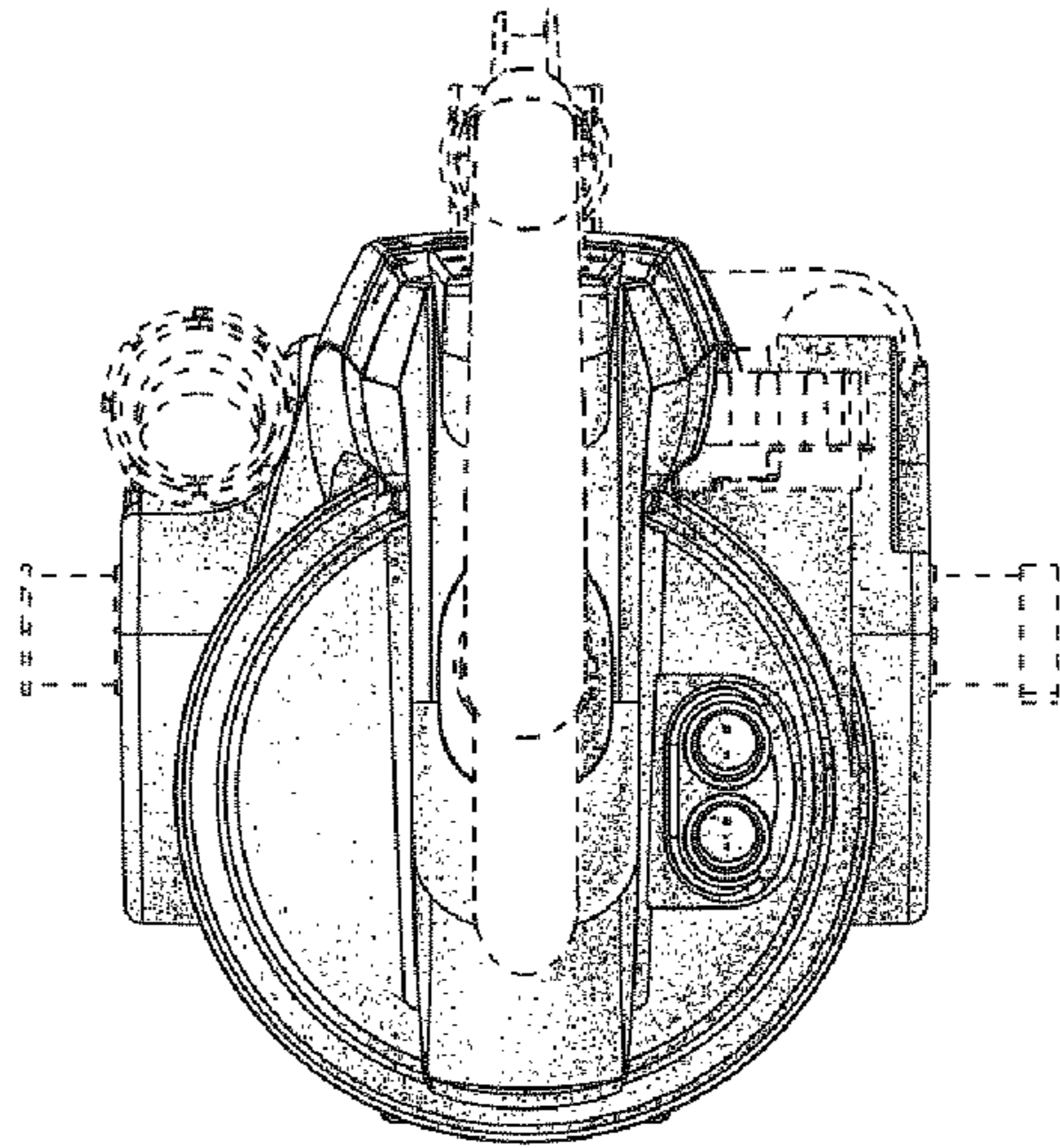


Fig. 6

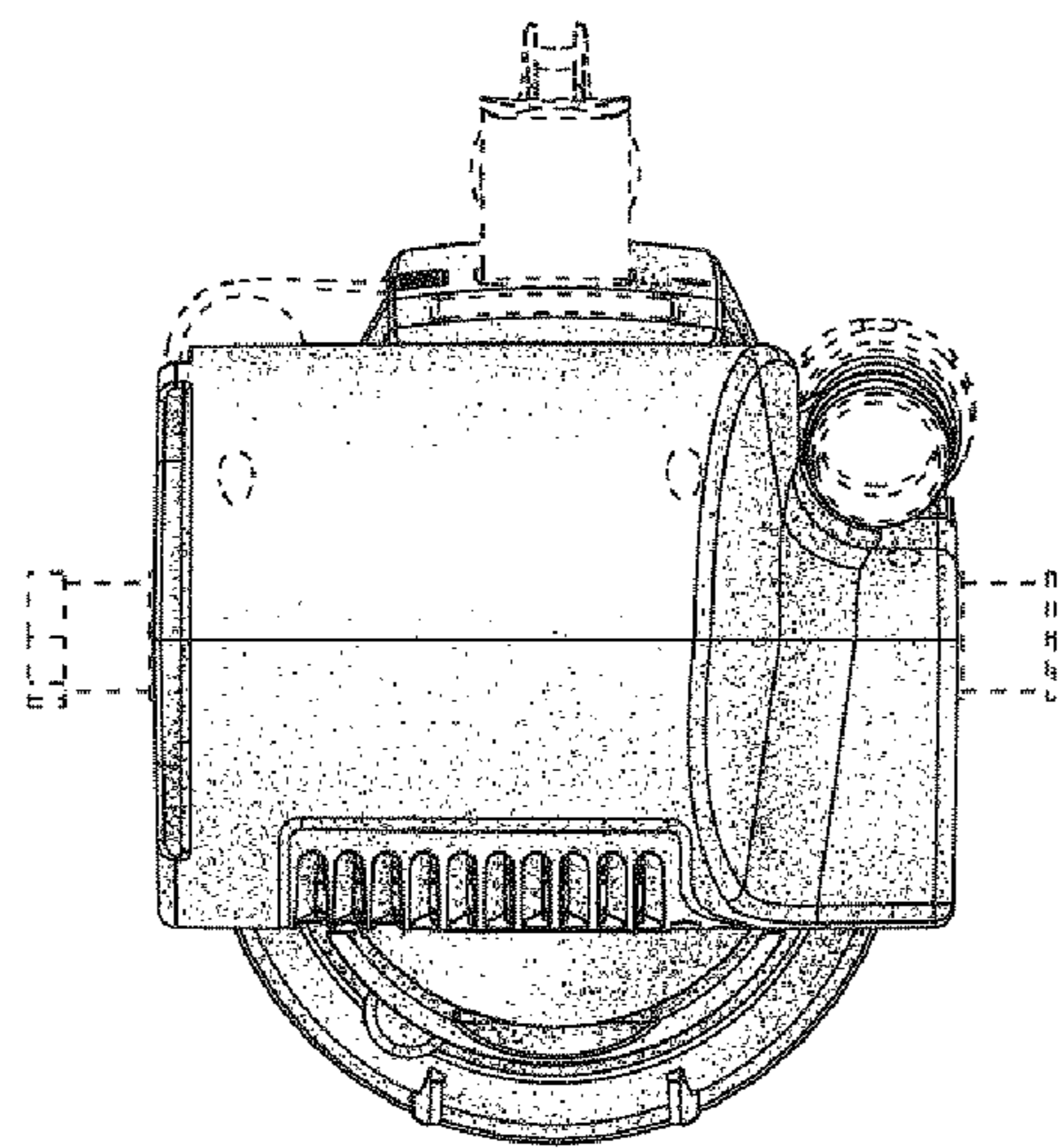


Fig. 7