



US00D631626S

(12) **United States Design Patent**
Raddick

(10) **Patent No.:** **US D631,626 S**
(45) **Date of Patent:** **** Jan. 25, 2011**

(54) **ROTARY SCRUB PAD**

(76) Inventor: **Mark Raddick**, 519 Lock Street West,
Unit C, Dunnville, ON (CA) N1A 1V8

(**) Term: **14 Years**

(21) Appl. No.: **29/335,397**

(22) Filed: **Apr. 15, 2009**

(51) **LOC (9) Cl.** **15-05**

(52) **U.S. Cl.** **D32/25**

(58) **Field of Classification Search** D32/1,
D32/15, 16, 17, 18, 25, 19, 21; 15/415.1,
15/28, 230.16-230.19, 344-345, 542, 179-180,
15/230; D15/29, 124, 126, 138; D8/8-9,
D8/61-62, 67, 69-70, 90; 451/359, 532,
451/541-542, 547

See application file for complete search history.

(56) **References Cited**

U.S. PATENT DOCUMENTS

D23,323	S *	5/1894	Bender	D15/126
1,797,040	A *	3/1931	Bartling	15/230.16
1,926,812	A *	9/1933	McGrady et al.	15/230.15
2,115,897	A *	5/1938	Wooddell et al.	451/529
2,546,102	A *	3/1951	Le Rette	15/230.15
2,648,157	A *	8/1953	Wilson et al.	446/134
2,818,693	A *	1/1958	Bernstein et al.	451/527
2,819,567	A *	1/1958	Hall	451/468
3,122,768	A *	3/1964	Beumkes	15/244.1
D211,812	S *	7/1968	Brubaker	D32/25
3,417,420	A *	12/1968	Rock	15/230.16
3,512,204	A *	5/1970	Jagiel	15/230.16
4,098,349	A *	7/1978	Jilani	172/555
4,437,523	A *	3/1984	Isbell	172/13
4,502,174	A *	3/1985	Rones	15/98
4,724,567	A *	2/1988	Rones	15/98
D322,791	S *	12/1991	Wada et al.	D15/17
D323,330	S *	1/1992	Wada et al.	D15/29
5,284,039	A *	2/1994	Torgerson	72/53
D378,003	S *	2/1997	Eichinger et al.	D32/25
D382,571	S *	8/1997	Bruns	D15/29
D395,662	S *	6/1998	Bruns	D15/29

5,896,932	A *	4/1999	Bruns et al.	172/556
D409,340	S *	5/1999	Winter et al.	D32/25
D421,704	S *	3/2000	Hasegawa	D8/70
6,145,149	A *	11/2000	Azumi	15/98
D441,927	S *	5/2001	Creecy	D32/25
6,223,383	B1 *	5/2001	VanPutten	15/230
6,309,292	B1 *	10/2001	Montabaur et al.	451/542
D469,447	S *	1/2003	Stark	D15/29
D487,279	S *	3/2004	Kazama	D15/126
6,736,712	B1 *	5/2004	Horn	451/359

(Continued)

Primary Examiner—T. Chase Nelson
Assistant Examiner—Kathleen M Sims

(57) **CLAIM**

The ornamental design for a rotary scrub pad, as shown and described.

DESCRIPTION

FIG. 1 is a top plan view of a first embodiment of a rotary scrub pad, the bottom plan view being identical to that shown.

FIG. 2 is a side elevational view thereof, the opposite side being identical to that shown.

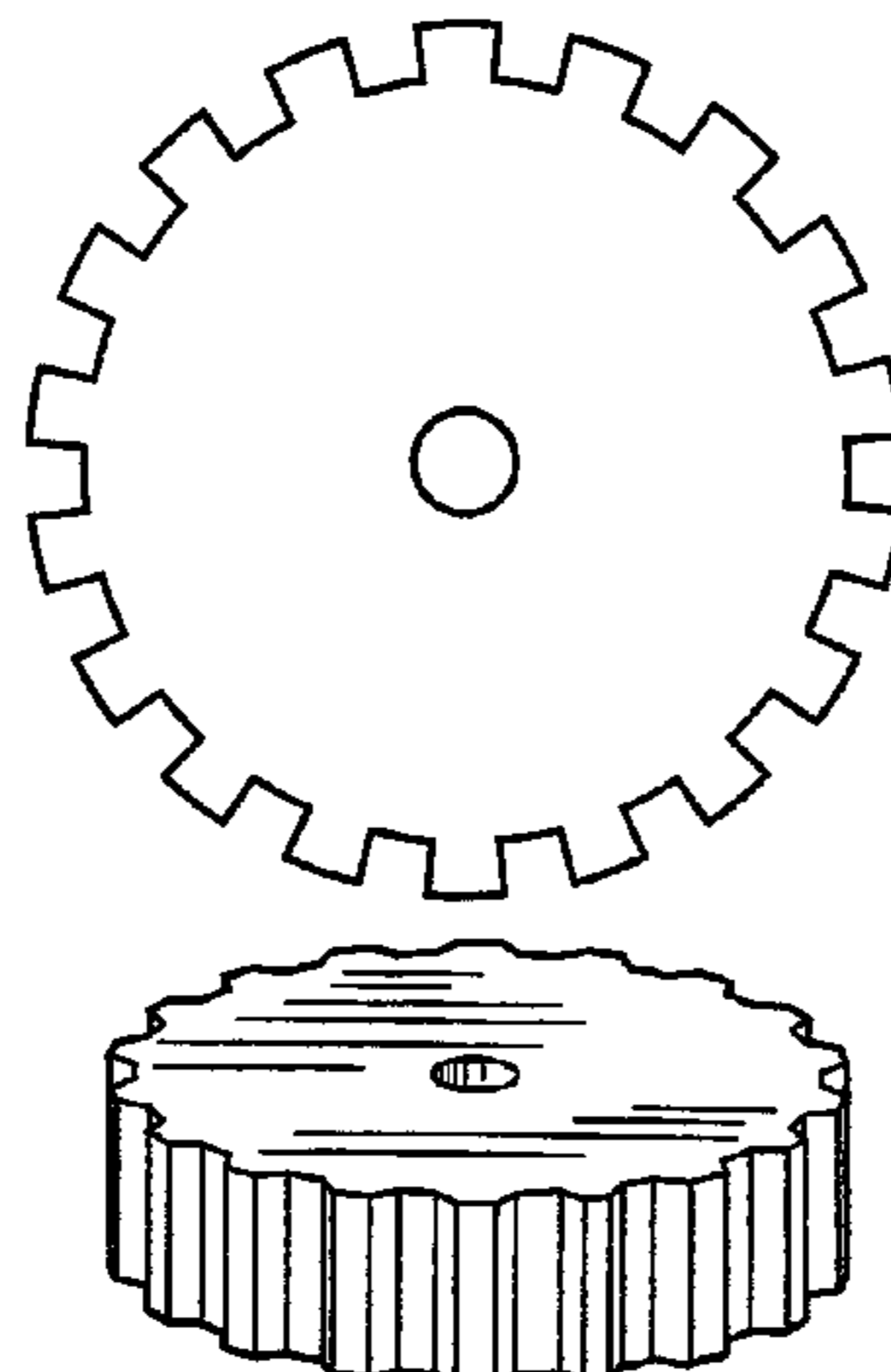
FIG. 3 is a top perspective view thereof, the bottom perspective view being identical to that shown.

FIG. 4 is a top plan view of a second embodiment of a rotary scrub pad the bottom plan view being identical to that shown.

FIG. 5 is a side elevational view of the second embodiment of a rotary scrub pad the opposite side being identical to that shown; and,

FIG. 6 is a top perspective view of the second embodiment of a rotary scrub pad the bottom perspective view being identical to that shown.

1 Claim, 2 Drawing Sheets



US D631,626 S

Page 2

U.S. PATENT DOCUMENTS

7,059,007	B2 *	6/2006	Ariznabarreta et al.	15/180	D554,813	S *	11/2007	Boler, Jr.	D32/25
7,144,315	B1 *	12/2006	Sun et al.	451/541	7,462,096	B2 *	12/2008	Montabaur	451/547
D544,890	S *	6/2007	Sun et al.	D15/126	D588,314	S *	3/2009	Sajakorpi et al.	D32/25
7,261,622	B2 *	8/2007	Hawkins	451/344	7,716,778	B2 *	5/2010	Meister	15/230.19
					2006/0079163	A1 *	4/2006	Montabaur	451/542

* cited by examiner

Fig. -1

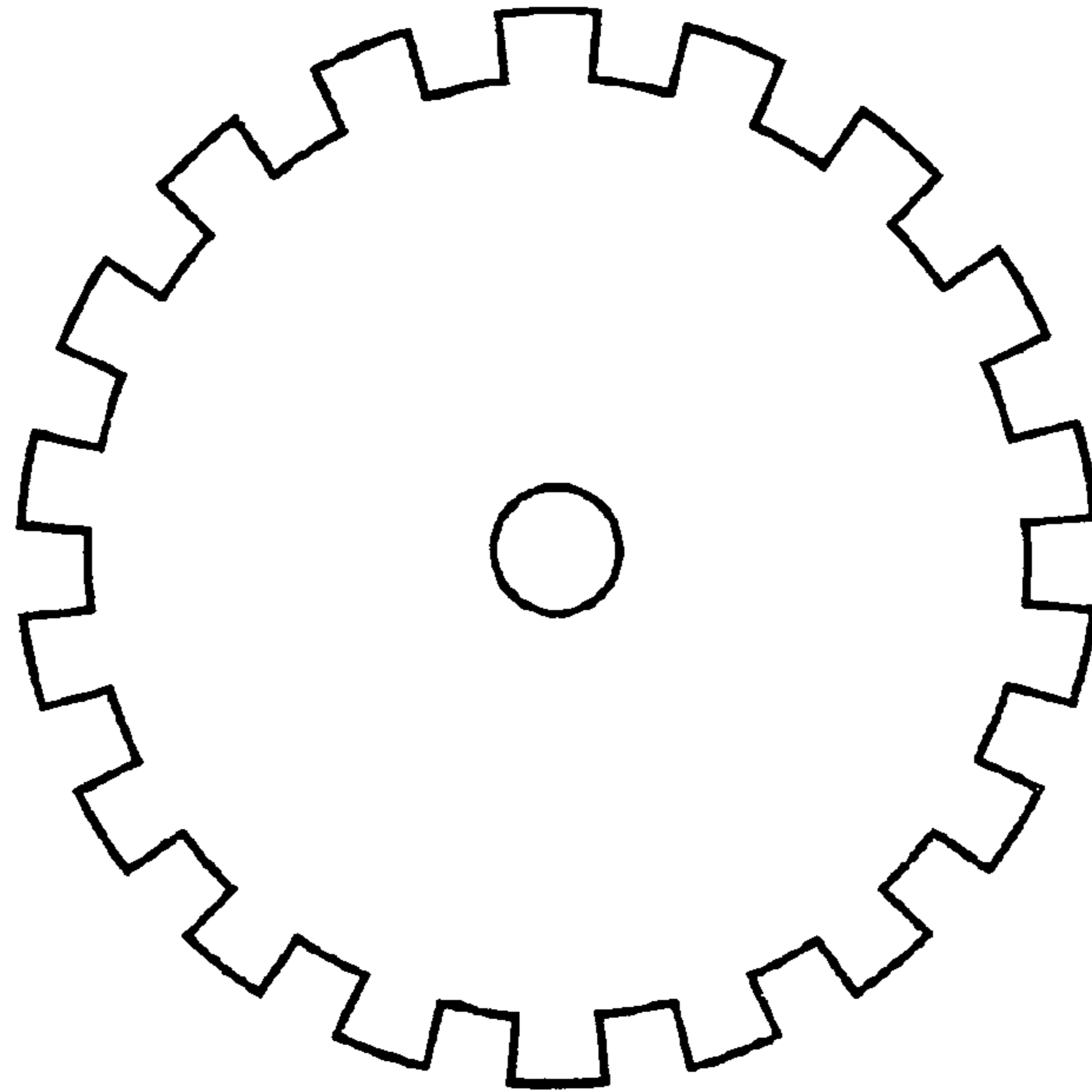


Fig. -2



Fig. -3

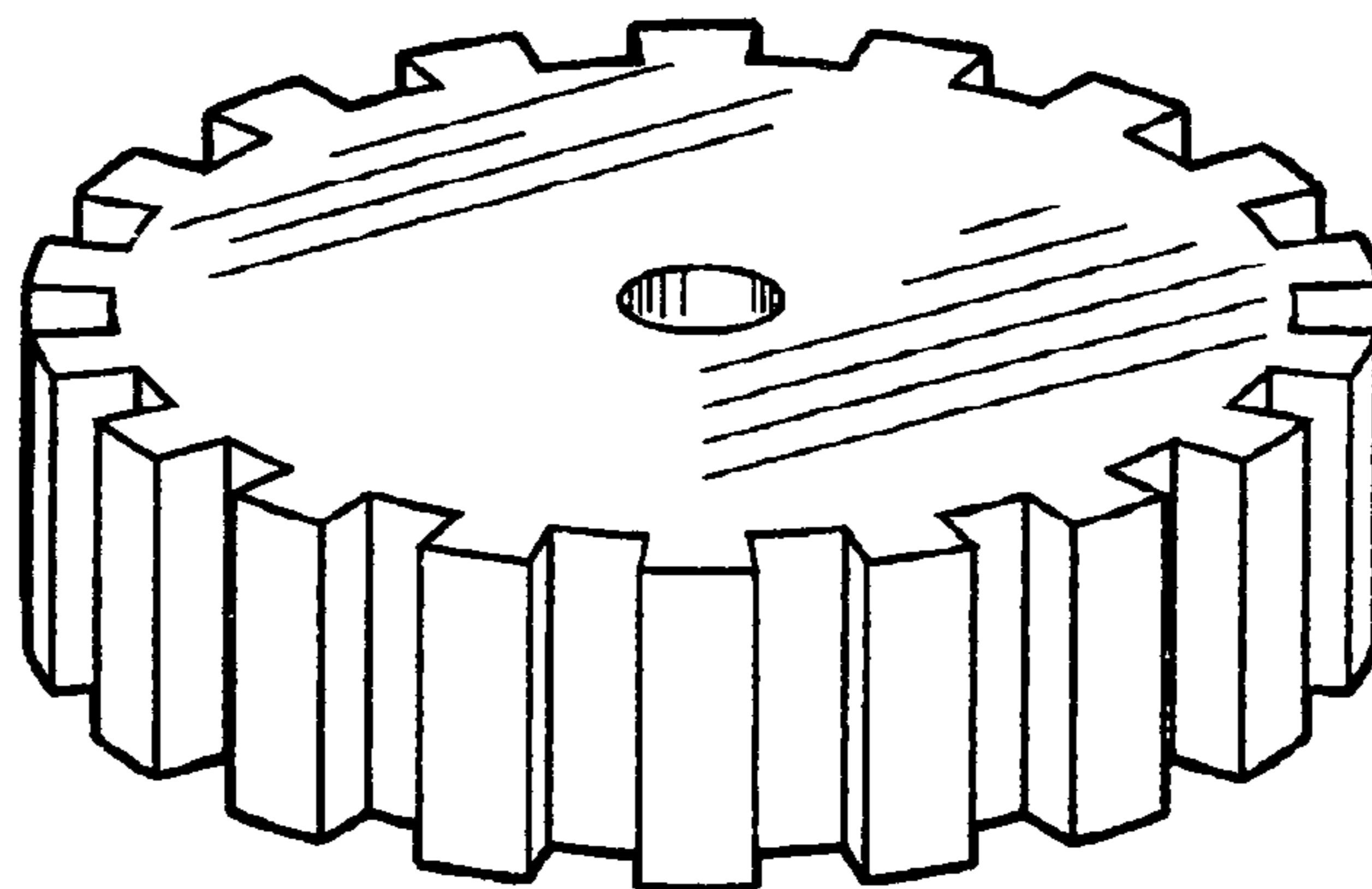


Fig. -4

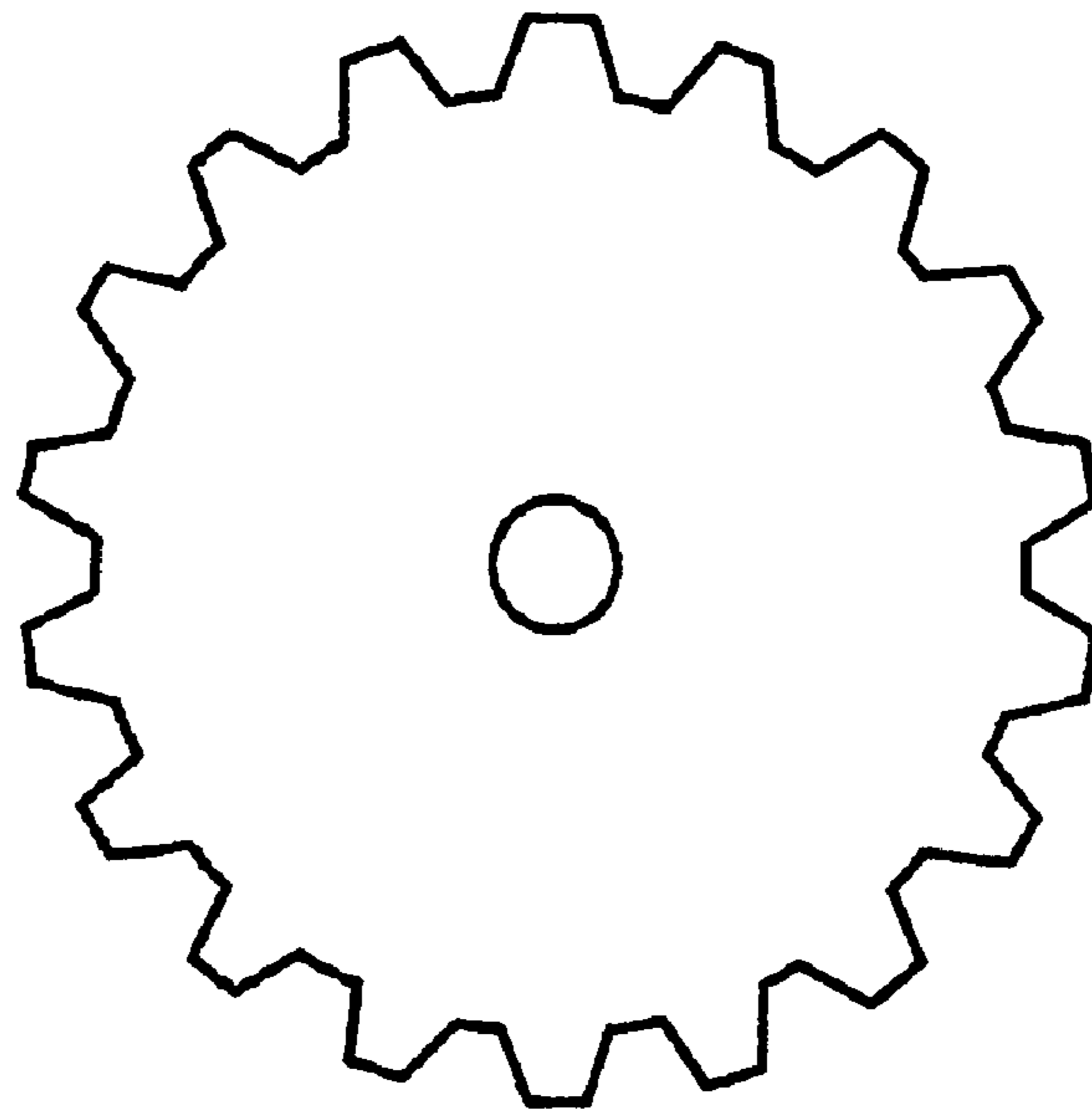


Fig. -5

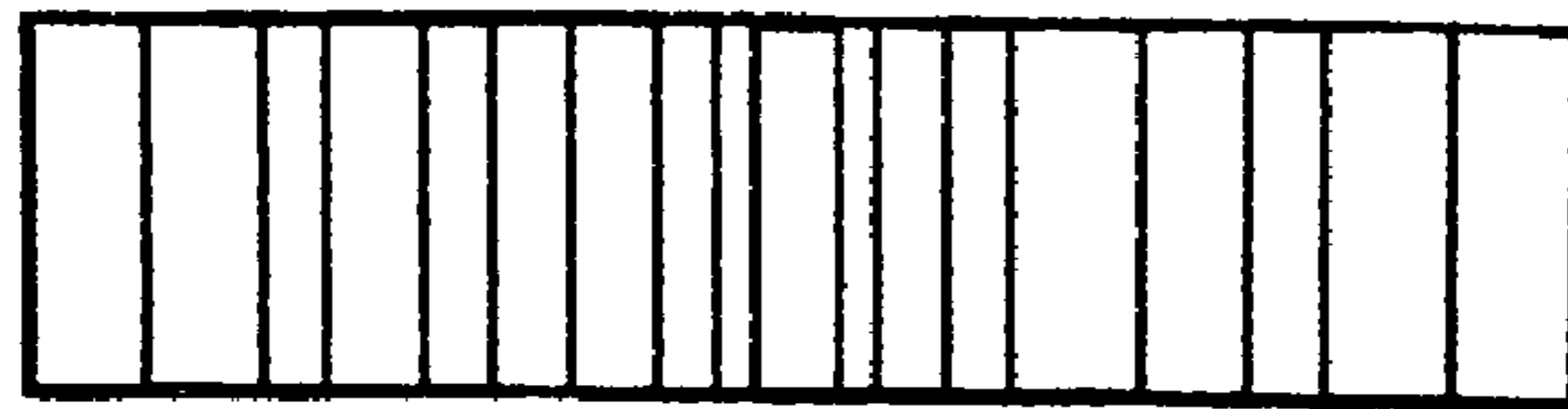


Fig. -6

