



US00D631615S

(12) **United States Design Patent**  
**Nowacek**

(10) **Patent No.:** **US D631,615 S**  
(45) **Date of Patent:** **\*\* Jan. 25, 2011**

(54) **WILDLIFE FEEDER**

(76) Inventor: **David Nowacek**, 1250 NE. Loop 410,  
Suite 800, San Antonio, TX (US) 78209

(\*\*) Term: **14 Years**

(21) Appl. No.: **29/358,604**

(22) Filed: **Mar. 30, 2010**

**Related U.S. Application Data**

(63) Continuation of application No. 29/312,325, filed on  
Oct. 14, 2008, now abandoned.

(51) **LOC (9) Cl.** ..... **30-03**

(52) **U.S. Cl.** ..... **D30/121**

(58) **Field of Classification Search** ..... D30/133,  
D30/121, 122, 124, 127, 128, 132; 119/51.01,  
119/61, 51.04, 53, 57.91, 54, 53.5, 52.4,  
119/51.11, 63, 61.2, 52.1, 57.5, 57.6, 51.13,  
119/62, 75, 500, 501; 239/7, 687, 379, 397.5;  
222/199, 181.1, 181.2, 185.1, 557, 156, 485,  
222/486, 548, 555; 220/200, 227, 247, 262;  
221/174, 185.1, 289, 295, 296, 559; 454/35;  
209/270, 283, 244; 52/194, 192; 49/279,  
49/344, 357; D34/28

See application file for complete search history.

(56) **References Cited**

**U.S. PATENT DOCUMENTS**

582,410 A \* 5/1897 Young ..... 119/52.4  
1,192,487 A \* 7/1916 Zok ..... 119/51.01  
1,497,596 A \* 6/1924 Scott ..... 119/52.1  
1,520,607 A \* 12/1924 Smith ..... 119/52.1  
1,537,337 A \* 5/1925 De Angulo ..... 119/80  
2,515,698 A \* 7/1950 Cosby ..... 119/53  
2,534,442 A \* 12/1950 Harvey ..... 119/53  
D164,213 S \* 8/1951 White ..... D30/132  
2,585,400 A \* 2/1952 Morton ..... 119/51.01  
D168,337 S \* 12/1952 Cusenbarg ..... D30/121  
2,972,334 A \* 2/1961 Braden ..... 119/51.01  
3,270,985 A \* 9/1966 Schmidt ..... 244/165  
3,506,218 A \* 4/1970 Kissell ..... 244/158.1

D218,831 S \* 9/1970 Leeming ..... D30/129  
3,730,139 A \* 5/1973 Moore ..... 119/429  
D236,012 S \* 7/1975 Crawford et al. .... D30/122  
3,911,868 A \* 10/1975 Brembeck ..... 119/53  
D239,546 S \* 4/1976 Kitson ..... D30/121  
3,962,997 A 6/1976 Ruth  
4,070,990 A \* 1/1978 Swartzendruber ..... 119/53  
4,401,057 A \* 8/1983 Van Gilst ..... 119/57.4  
4,834,026 A \* 5/1989 Brembeck et al. .... 119/53  
4,841,912 A \* 6/1989 Oswald ..... 119/53  
D302,750 S \* 8/1989 Brembeck et al. .... D30/122  
4,889,078 A \* 12/1989 Smiley ..... 119/53.5  
D309,963 S \* 8/1990 Cureton ..... D30/122  
4,945,859 A \* 8/1990 Churchwell ..... 119/57.91  
4,995,343 A \* 2/1991 Cole et al. .... 119/53

(Continued)

*Primary Examiner*—Susan Moon Lee  
(74) *Attorney, Agent, or Firm*—Jackson Walker, LLP

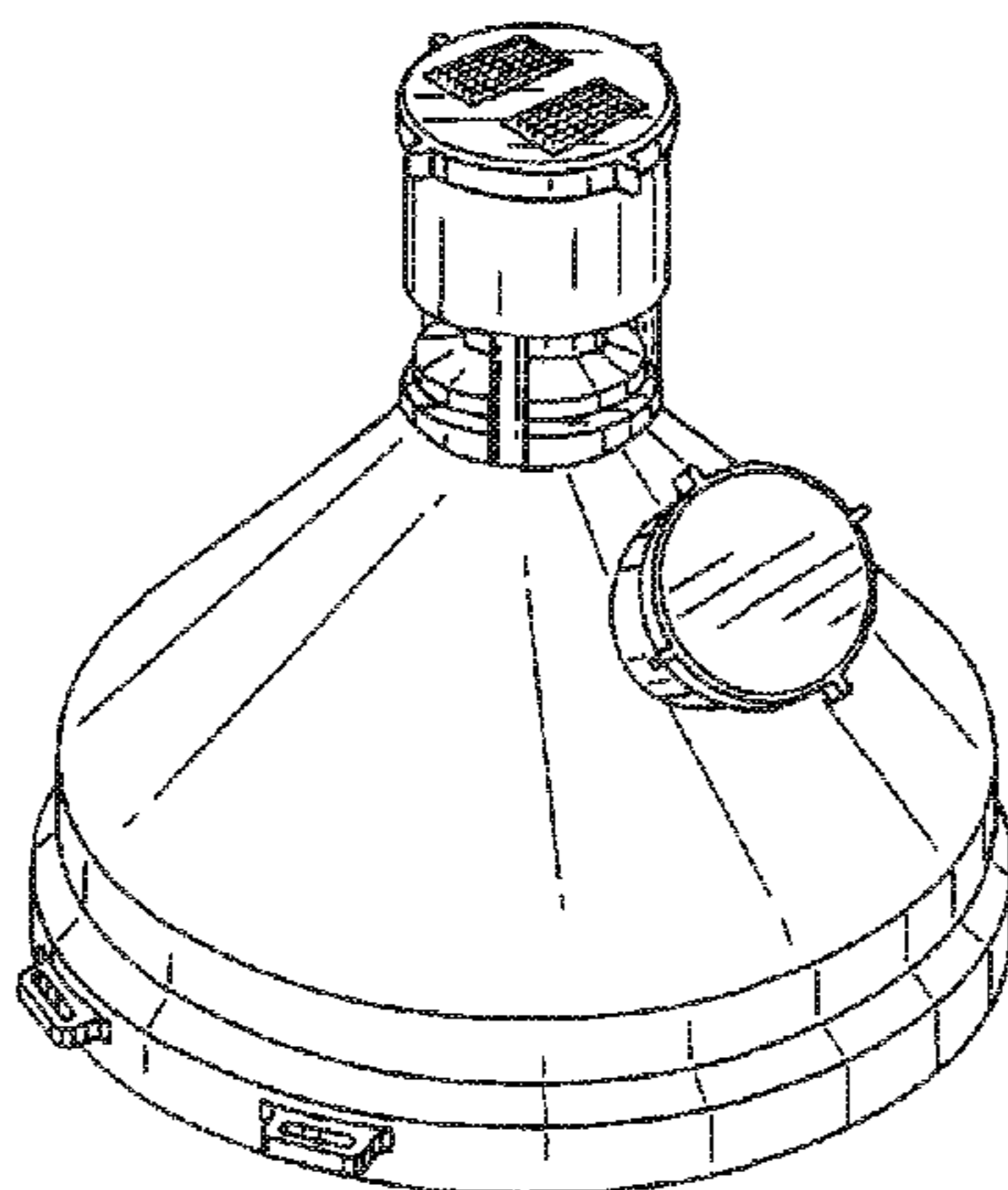
(57) **CLAIM**

I claim the ornamental design for a wildlife feeder, as shown  
and described.

**DESCRIPTION**

FIG. 1 is a front perspective view of a wildlife feeder showing  
my new design;  
FIG. 2 is a front elevation view of the wildlife feeder illustra-  
tively shown resting on a support surface;  
FIG. 3 is a top view thereof;  
FIG. 4 is a left side elevation view thereof;  
FIG. 5 is a rear elevation view thereof;  
FIG. 6 is a right side elevation view thereof; and,  
FIG. 7 is a bottom view of the wildlife feeder.  
Any portions shown in broken line are not claimed.

**1 Claim, 4 Drawing Sheets**



# US D631,615 S

Page 2

## U.S. PATENT DOCUMENTS

5,066,388	A	11/1991	Ross					
D338,694	S *	8/1993	Krebs .....	D21/452	6,571,734	B1 *	6/2003 Finklea .....	119/57.91
D339,429	S *	9/1993	Reid et al. ....	D30/121	6,575,117	B1 *	6/2003 Rasmussen .....	119/57.1
D347,461	S *	5/1994	Bertrand .....	D21/451	6,761,129	B1 *	7/2004 Smith .....	119/52.1
5,463,980	A *	11/1995	Rasmussen .....	119/57.1	D505,522	S *	5/2005 Jurk .....	D30/131
D374,952	S *	10/1996	Wenstrand .....	D30/132	6,899,056	B1	5/2005 Kelly	
D403,131	S *	12/1998	Bowell et al. ....	D30/132	D512,538	S *	12/2005 Bird et al. ....	D30/121
5,855,943	A	1/1999	Lush et al.		7,028,635	B1 *	4/2006 Eastman, II .....	119/51.11
5,927,232	A *	7/1999	Pollock .....	119/53	7,107,932	B2 *	9/2006 Cole et al. ....	119/53
5,941,193	A *	8/1999	Cole .....	119/57.4	7,228,817	B2 *	6/2007 Busse .....	119/53
6,173,676	B1 *	1/2001	Cole .....	119/57.4	7,314,406	B2 *	1/2008 Bilinovich .....	452/185
6,439,159	B1 *	8/2002	Rizzo .....	119/72	7,552,697	B2 *	6/2009 Busse .....	119/53
					2005/0132966	A1 *	6/2005 Hartsell .....	119/52.1
					2008/0202435	A1 *	8/2008 Nowacek .....	119/51.01

\* cited by examiner

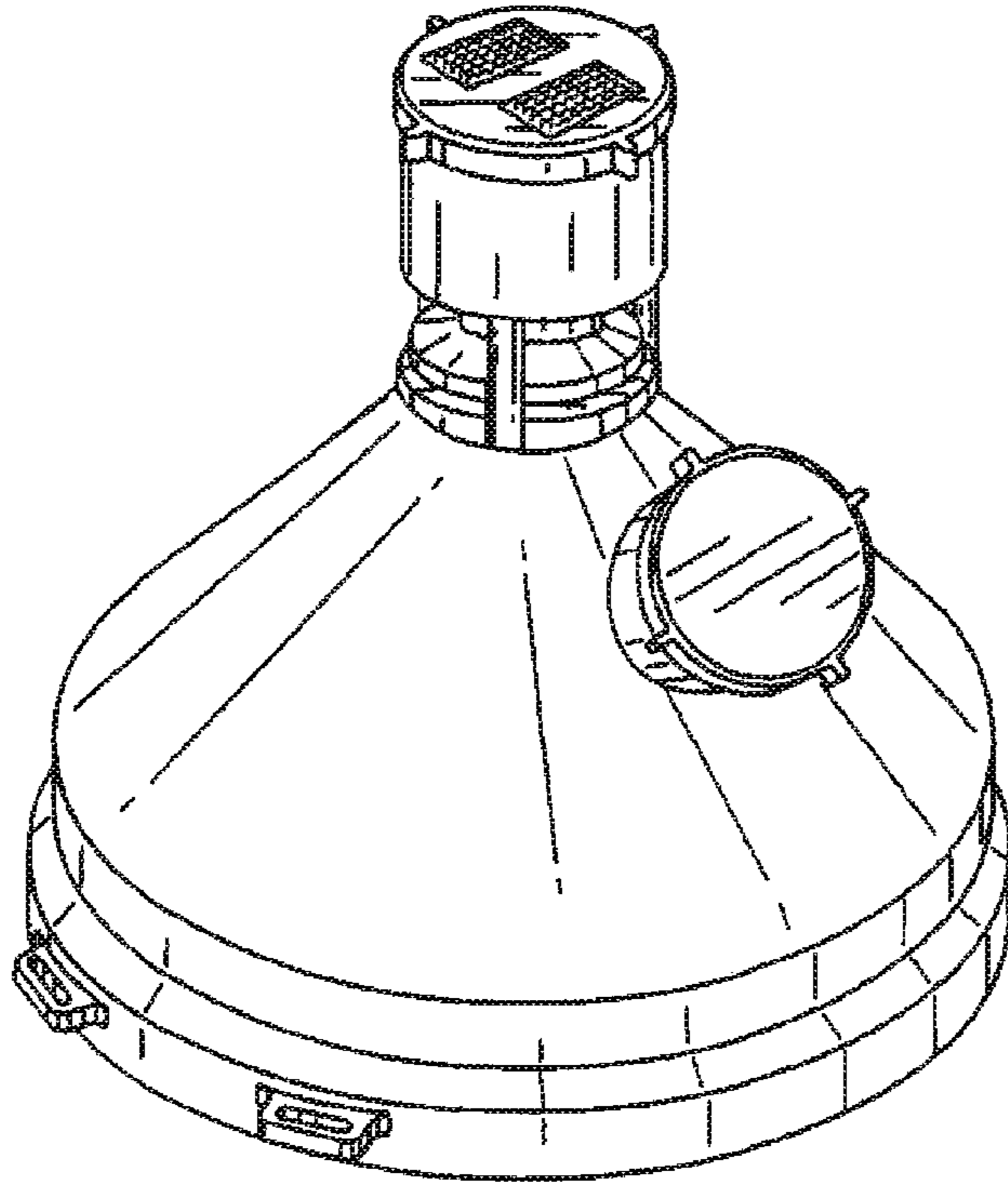


Fig. 1

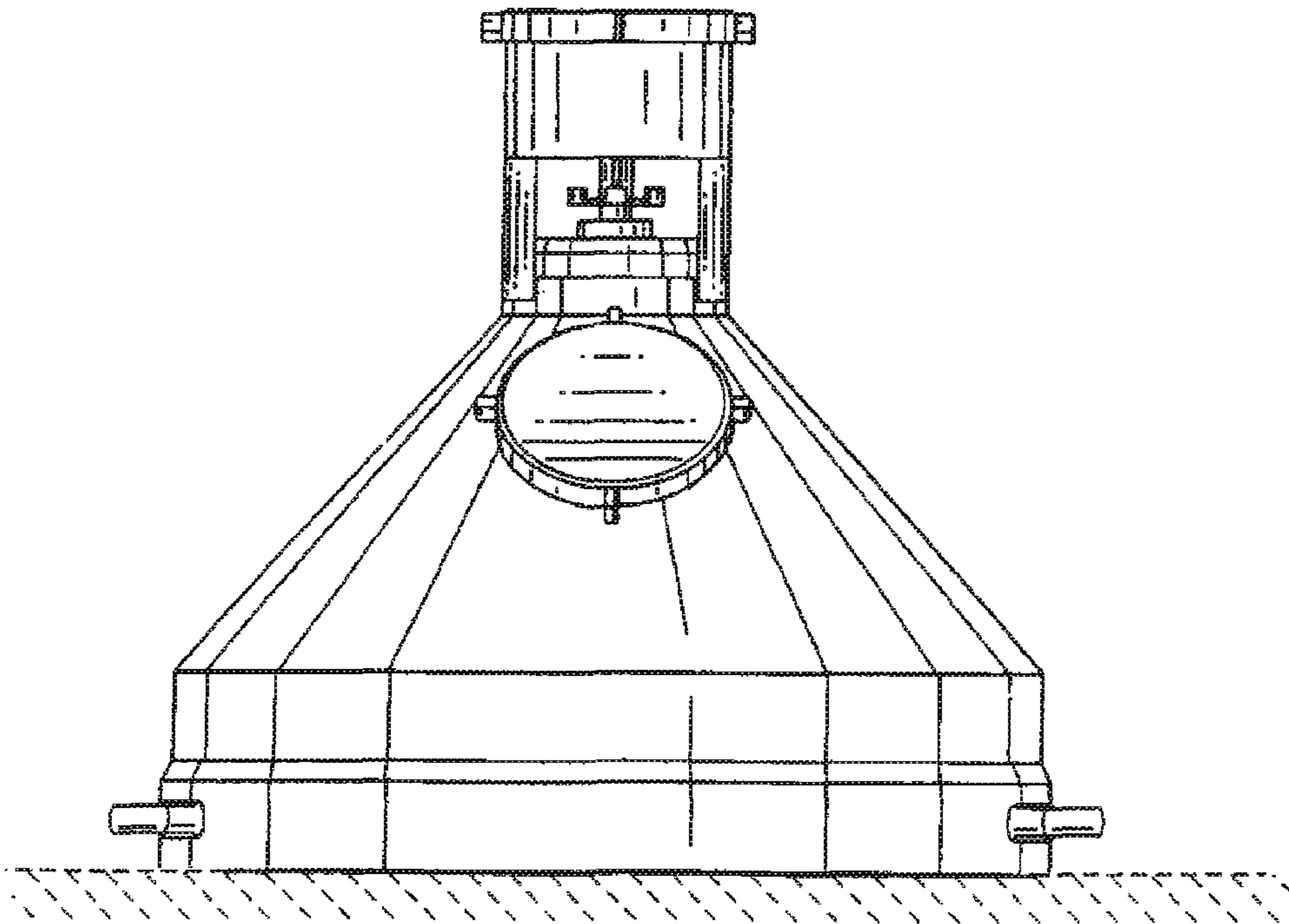
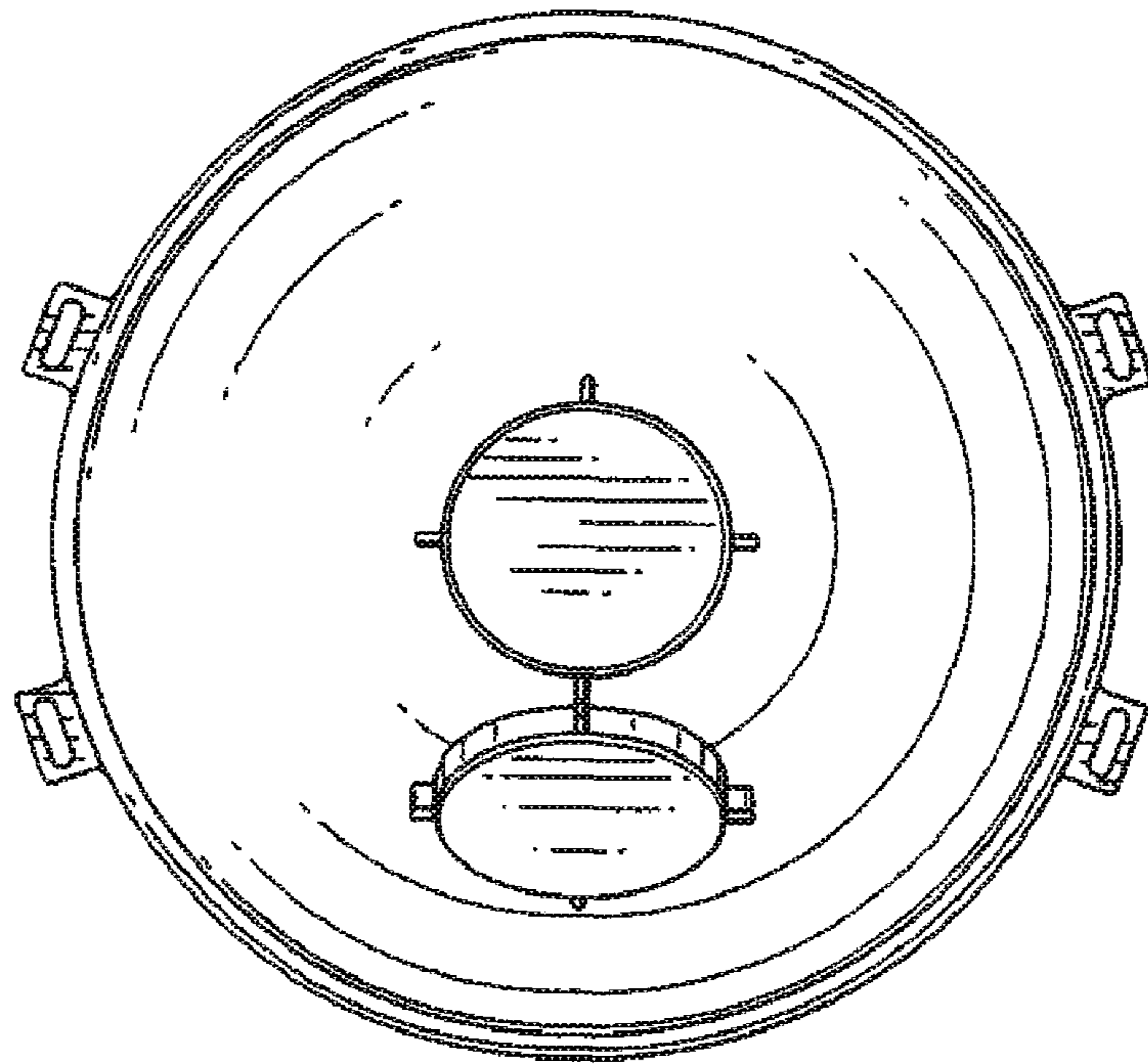
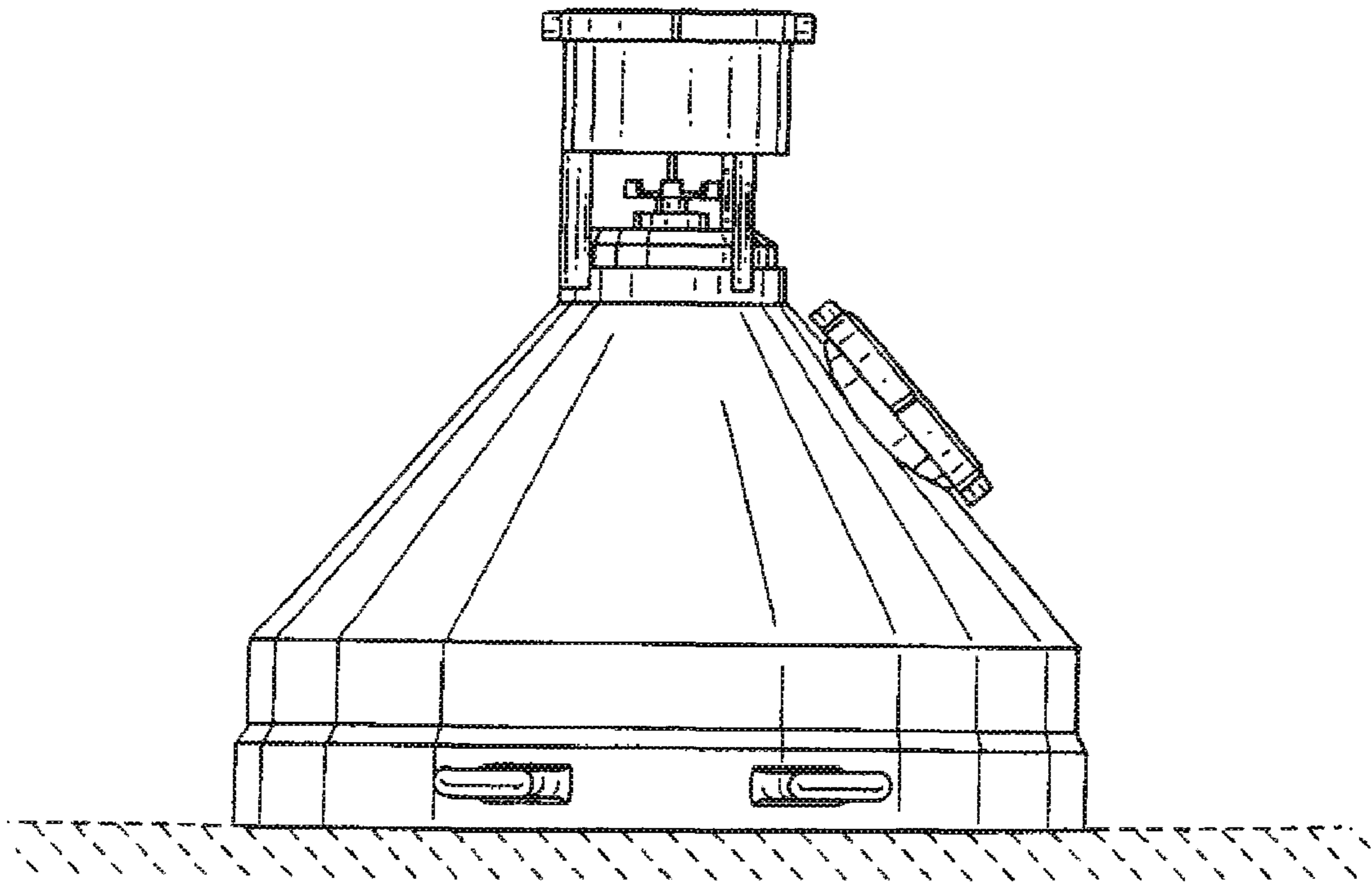


Fig. 2





*Fig. 3*



*Fig. 4*

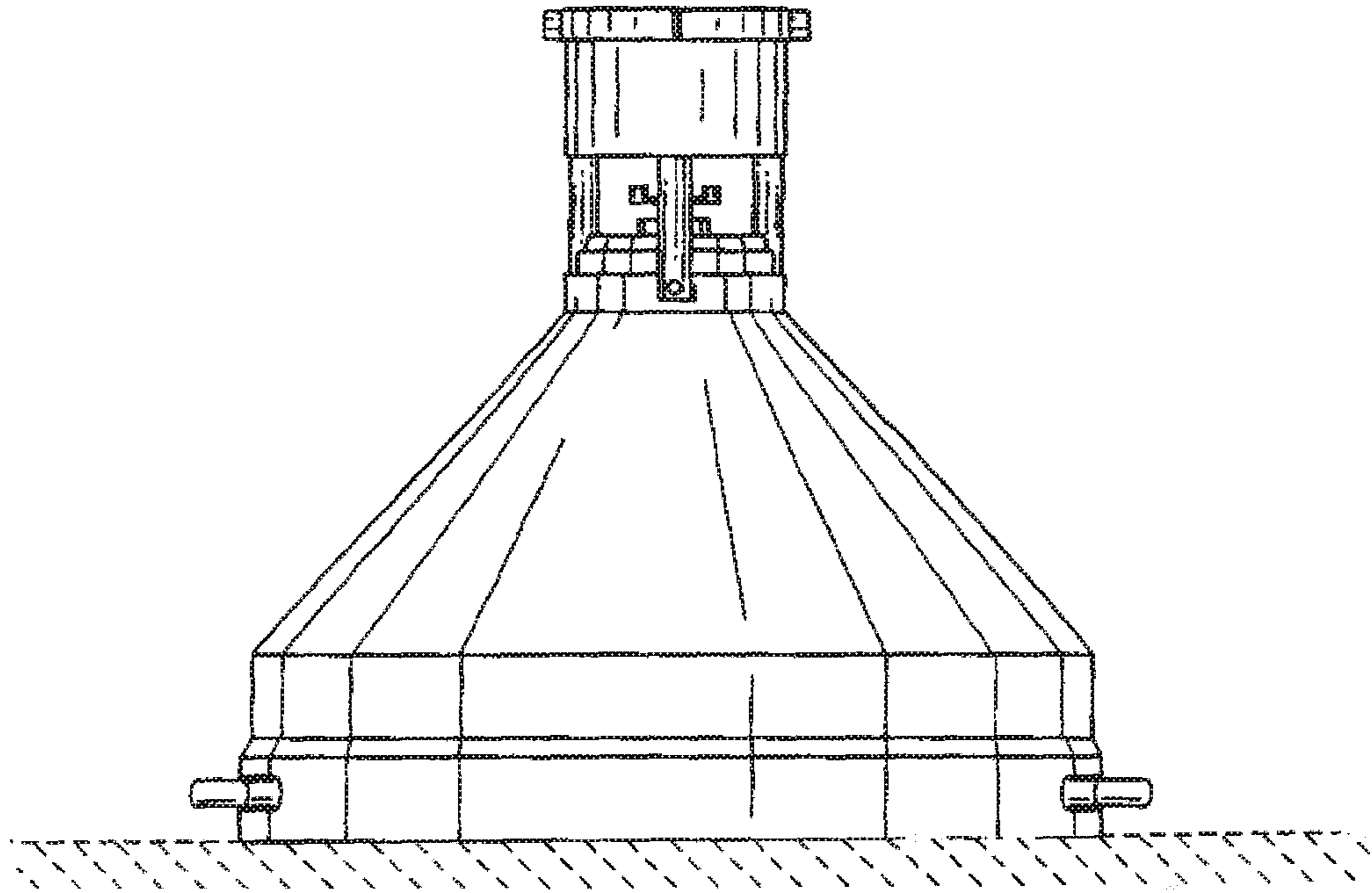


Fig. 5

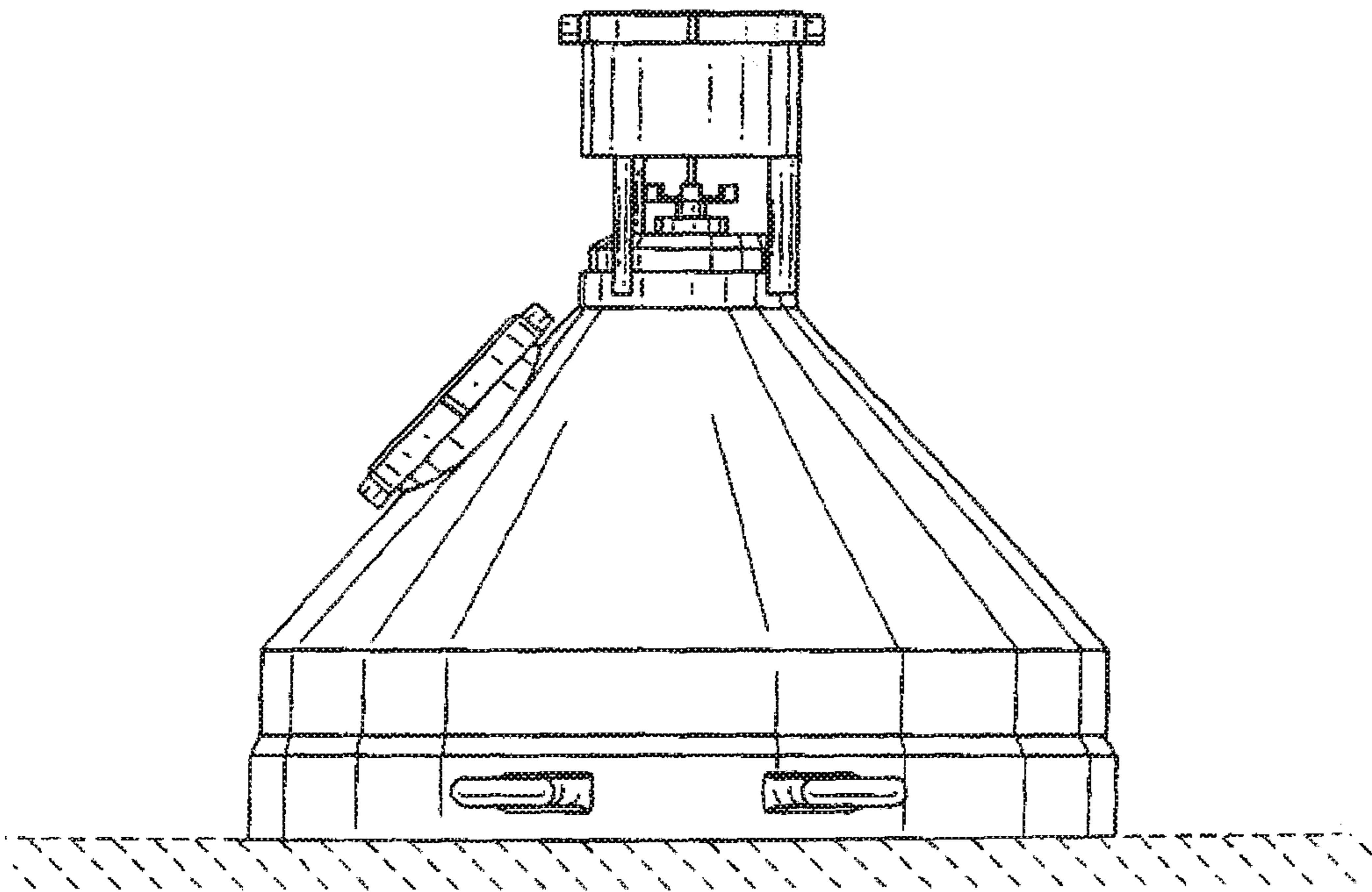
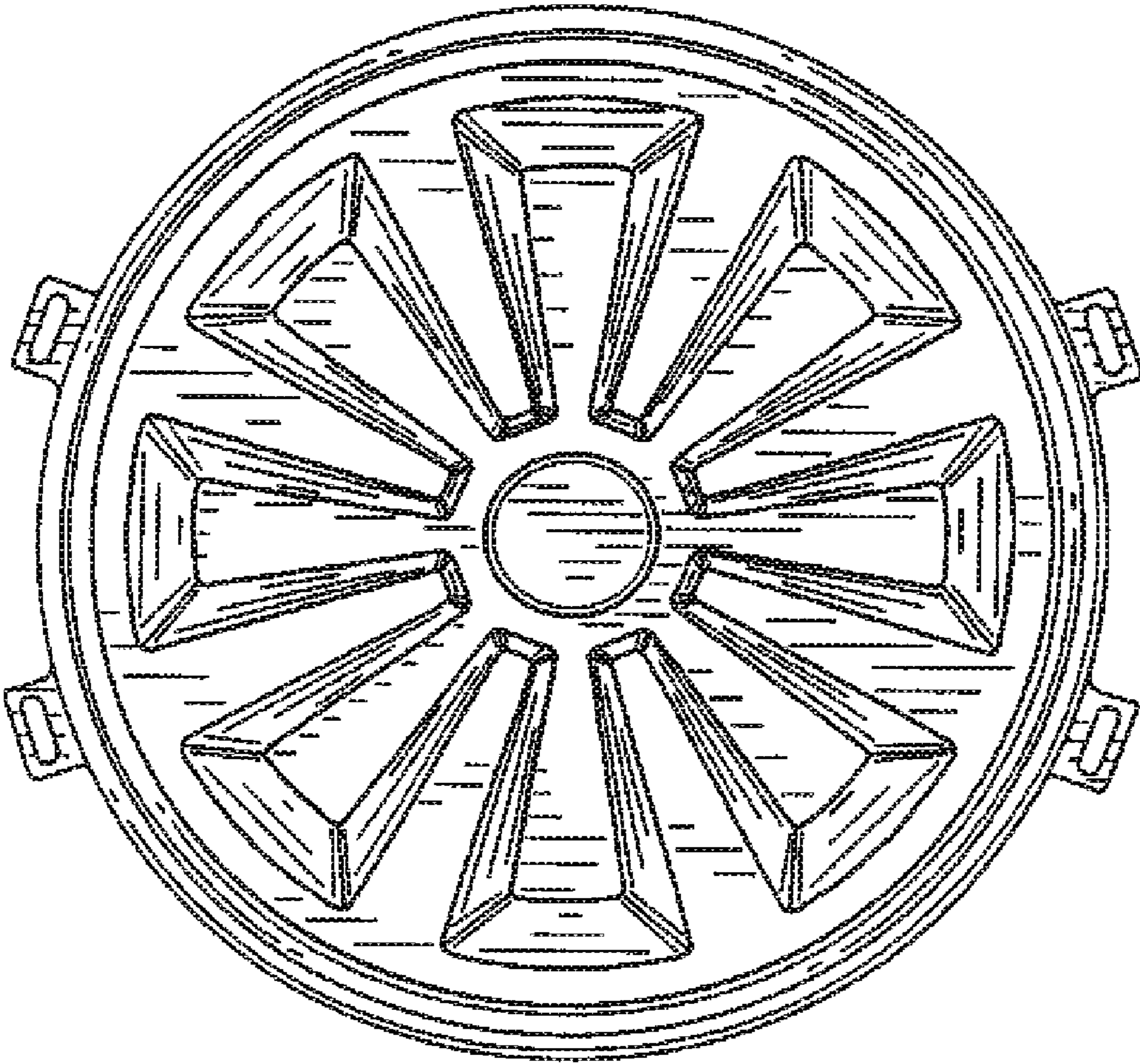


Fig. 6



*Fig. 7*