



US00D631609S

(12) **United States Design Patent**
Lai

(10) **Patent No.:** **US D631,609 S**

(45) **Date of Patent:** **** *Jan. 25, 2011**

(54) **COSMETICS BOX**

2006/0027481 A1* 2/2006 Gelardi et al. 206/581

(75) Inventor: **Chin-Chun Lai**, Hsinchu (TW)

* cited by examiner

(73) Assignee: **Chao Ling Chemical Industry Co., Ltd.**, Hsinchu (TW)

Primary Examiner—Jennifer Rivard
(74) *Attorney, Agent, or Firm*—Muncy, Geissler, Olds & Lowe, PLLC

(*) Notice: This patent is subject to a terminal disclaimer.

(57) **CLAIM**

(**) Term: **14 Years**

The ornamental design for a cosmetics box, as shown and described.

(21) Appl. No.: **29/274,237**

(22) Filed: **Apr. 6, 2007**

DESCRIPTION

(51) **LOC (9) Cl.** **28-03**

FIG. 1 is a perspective view of a cosmetics box;

(52) **U.S. Cl.** **D28/83**

FIG. 2 is a front view thereof;

(58) **Field of Classification Search** D28/73,

FIG. 3 is a back view thereof;

D28/76–84; 132/286–288, 293–307, 312–318;

FIG. 4 is a left side view thereof;

220/DIG. 26; 206/581, 823

FIG. 5 is a right side view thereof;

See application file for complete search history.

FIG. 6 is a top view thereof;

FIG. 7 is a bottom view thereof; and,

(56) **References Cited**

FIG. 8 is a perspective view thereof, wherein the cosmetics box is in an opened position for illustrative purpose.

U.S. PATENT DOCUMENTS

The broken line showing of the interior of the box is included for the purpose of illustrating portions of the article and forms no part of the claimed design.

1,694,702 A * 12/1928 Deitel 132/294

1,715,820 A * 6/1929 Deitel 132/294

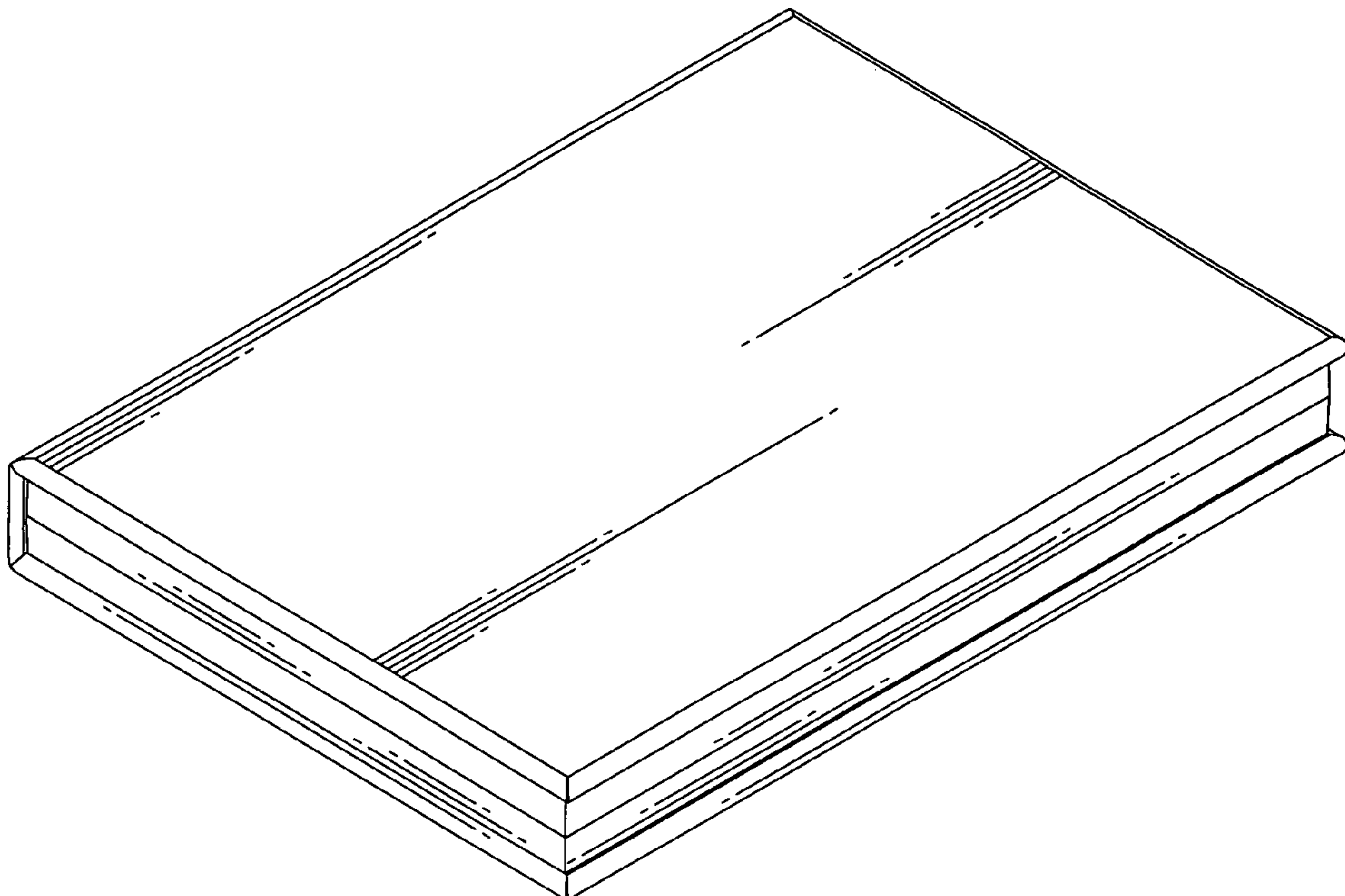
2,642,202 A * 6/1953 Cowan 132/301

D352,601 S * 11/1994 Dallaire D28/78

D479,630 S * 9/2003 Lai D28/83

D479,895 S * 9/2003 Lai D28/83

1 Claim, 8 Drawing Sheets



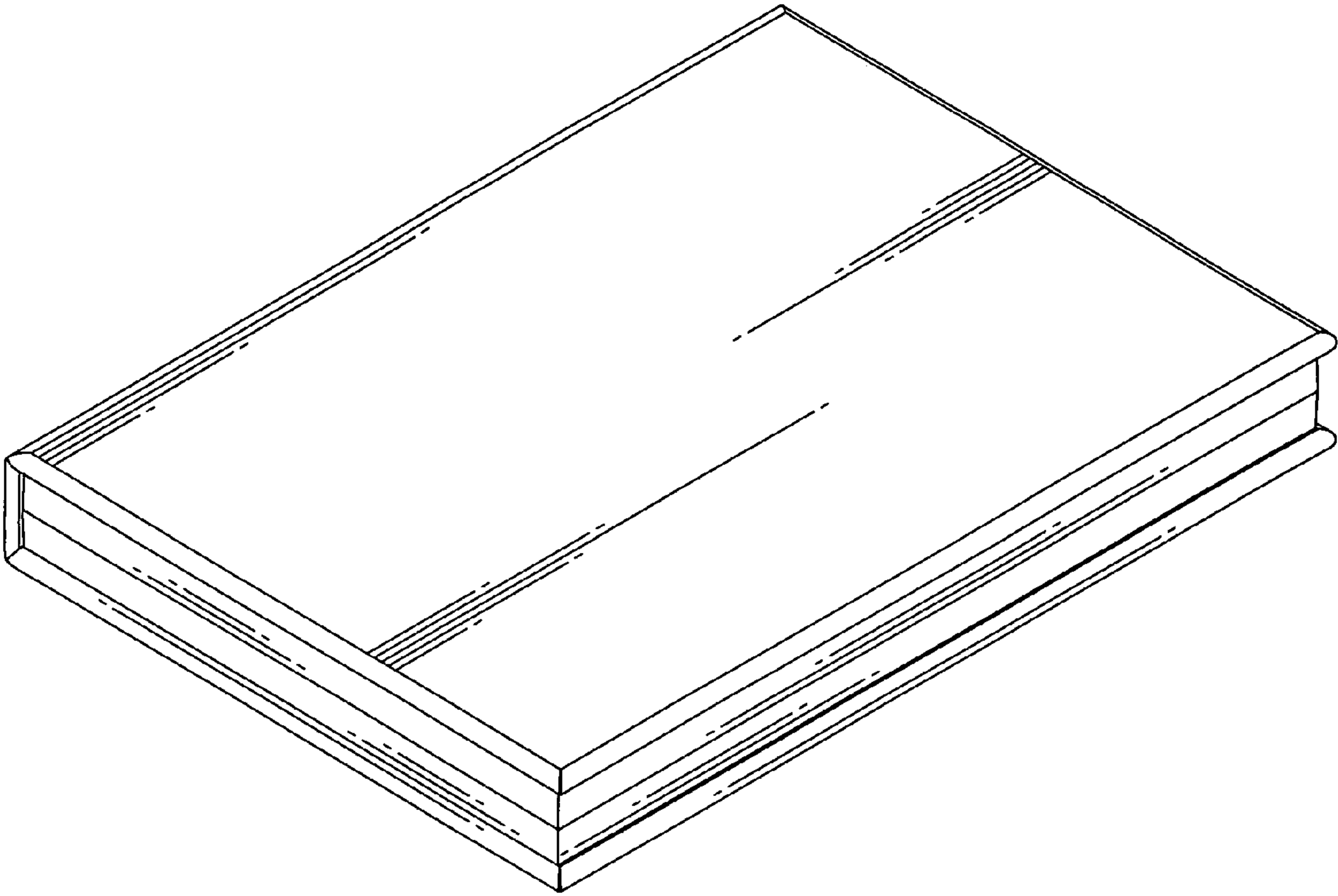


FIG. 1

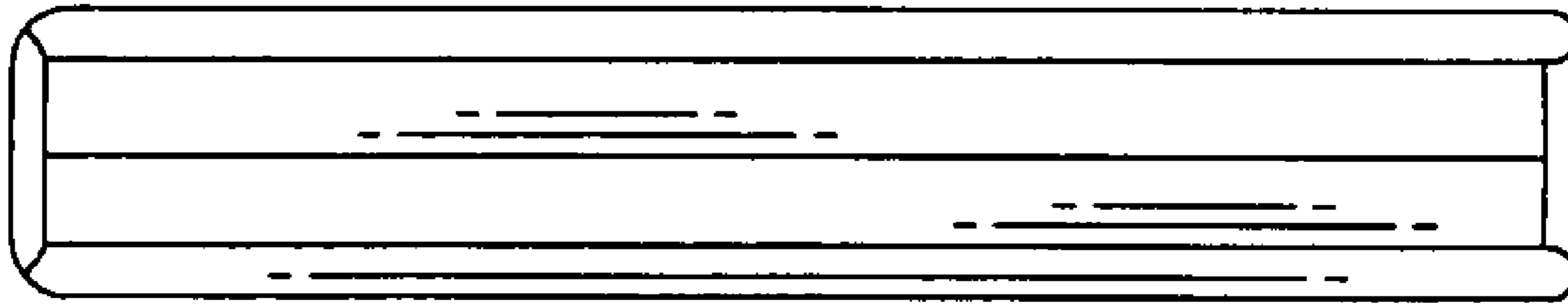


FIG. 2

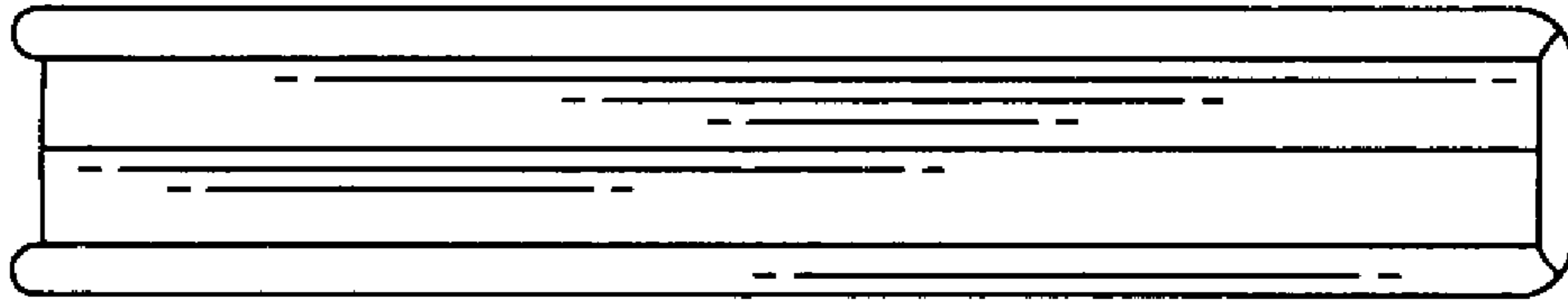


FIG. 3

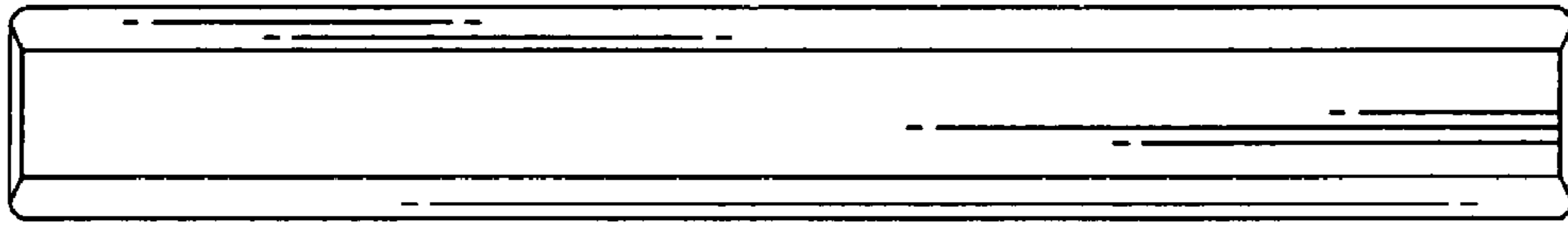


FIG. 4

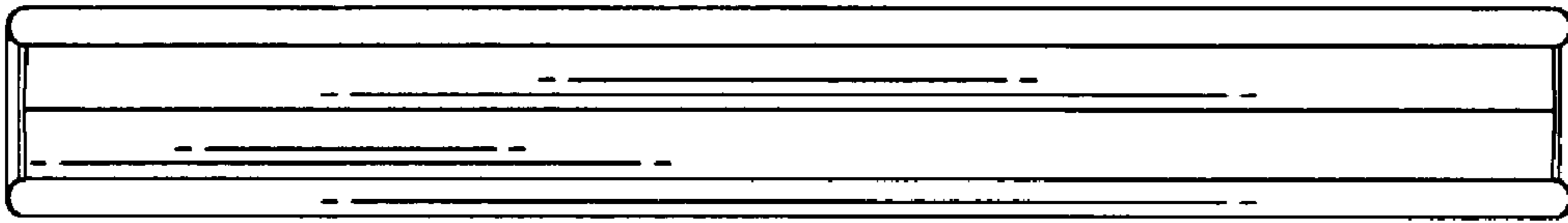


FIG. 5

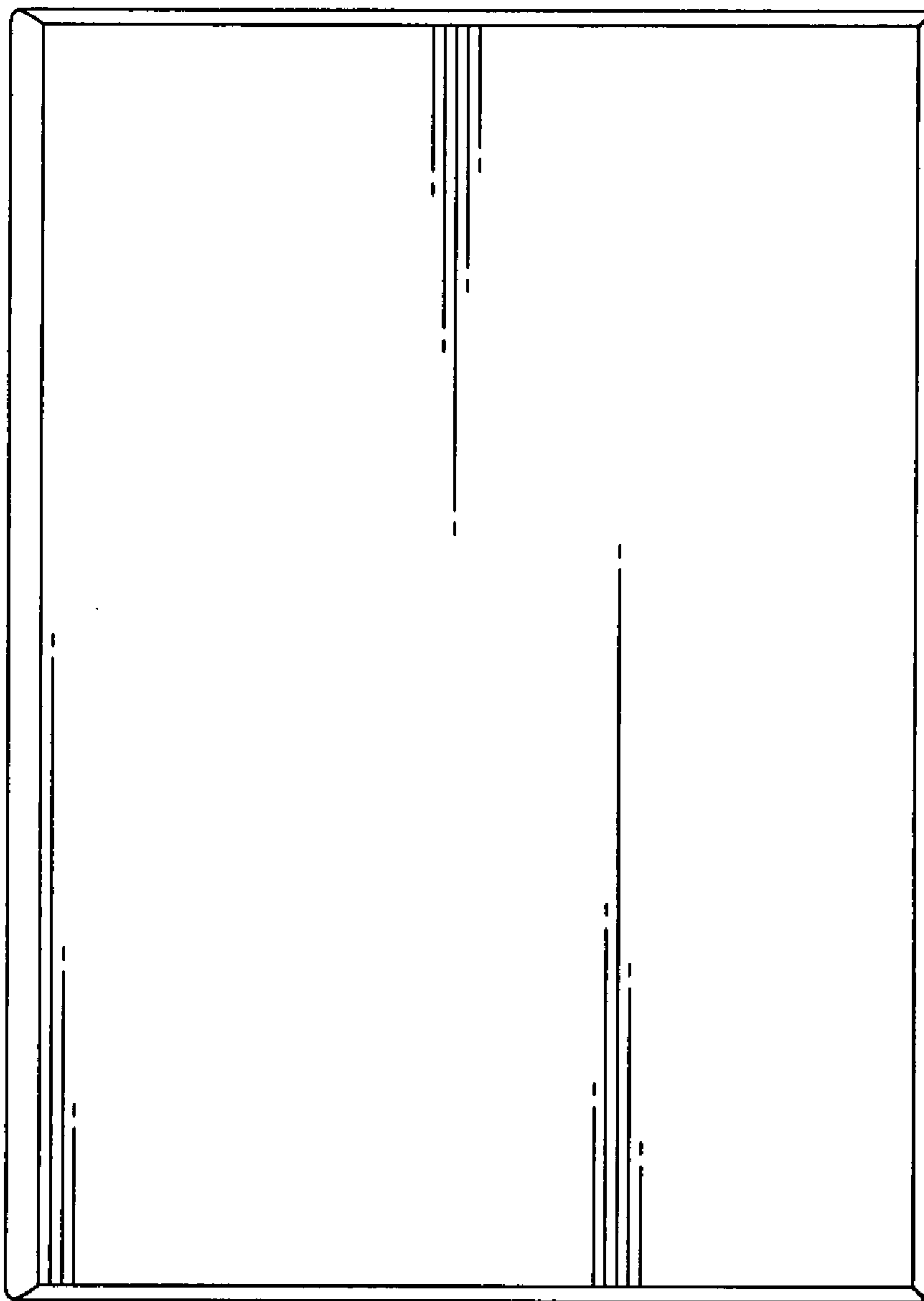


FIG. 6

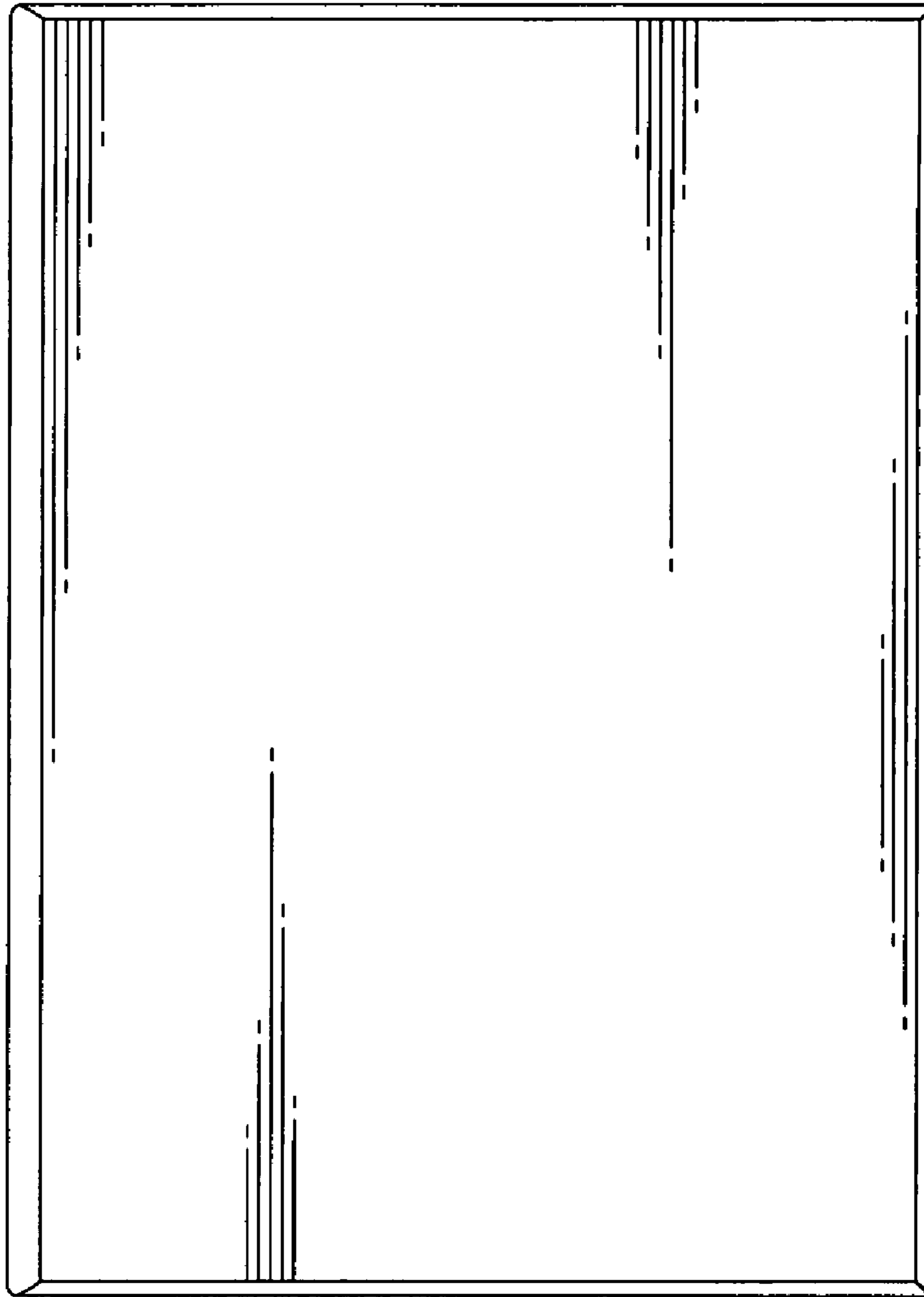


FIG. 7

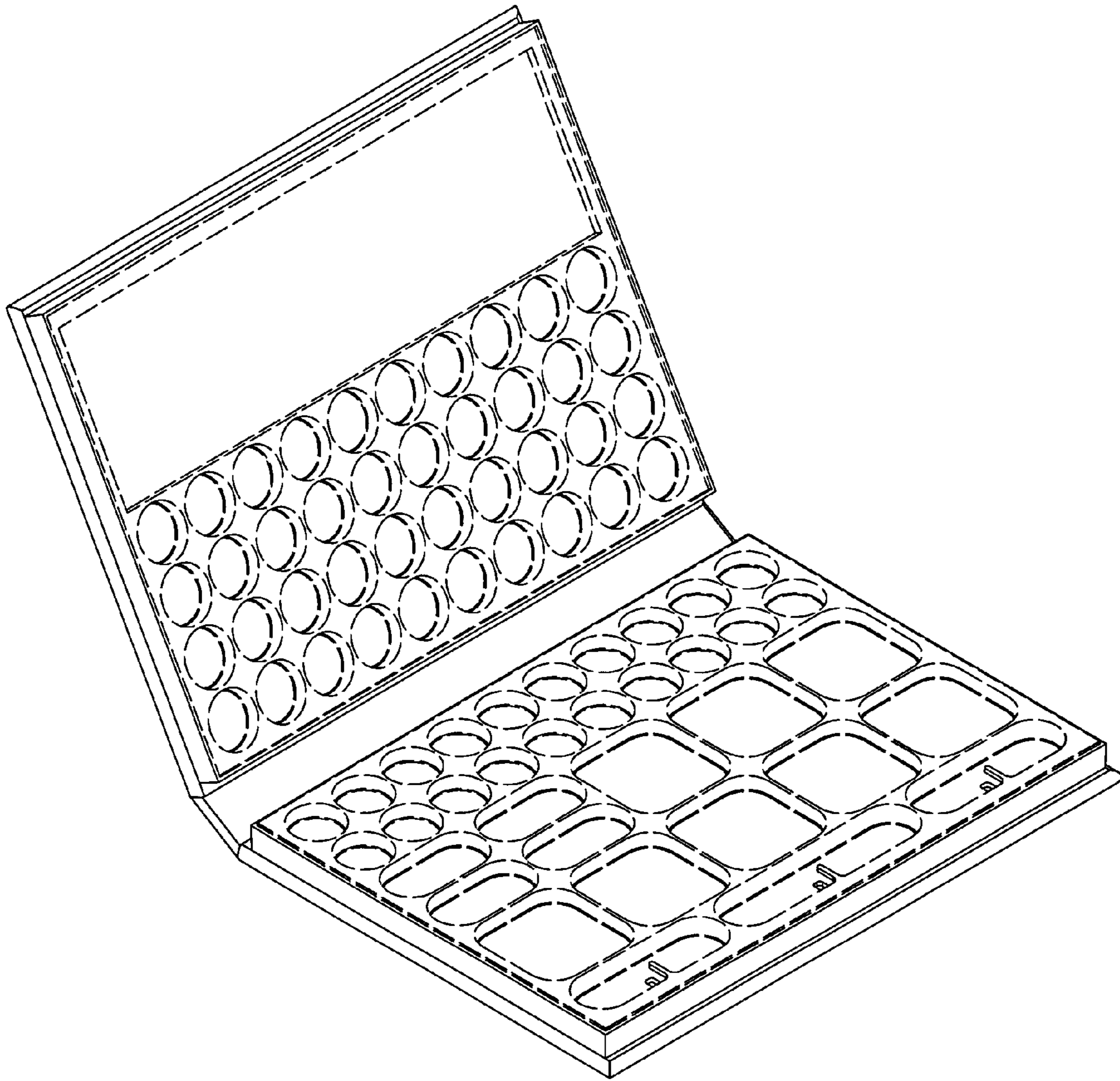


FIG. 8