



US00D631605S

(12) **United States Design Patent**
Cho

(10) **Patent No.:** **US D631,605 S**
(45) **Date of Patent:** **** Jan. 25, 2011**

(54) **MECHANICAL EYELASH CURLER**
(76) Inventor: **Yong Hoon Cho**, 604 Murfield Ct.,
Fullerton, CA (US) 92835
(**) Term: **14 Years**
(21) Appl. No.: **29/348,708**
(22) Filed: **Jan. 29, 2010**
(51) **LOC (9) Cl.** **28-03**
(52) **U.S. Cl.** **D28/36**
(58) **Field of Classification Search** D28/36;
132/216-217
See application file for complete search history.

Primary Examiner—Jennifer Rivard
(74) *Attorney, Agent, or Firm*—Maria Erlinda Co Sarno

(57) **CLAIM**

The ornamental design for a mechanical eyelash curler, as shown and described.

DESCRIPTION

FIG. 1 is a top left perspective view of the mechanical eyelash curler showing my new design;
FIG. 2 is a left side view of the of the mechanical eyelash curler which is identical to the right side view of the mechanical eyelash curler thereof;
FIG. 3 is a top view of the mechanical eyelash curler thereof;
FIG. 4 is a bottom view of the mechanical eyelash curler thereof;
FIG. 5 is a front view of the mechanical eyelash curler thereof; and,
FIG. 6 is a rear view of the mechanical eyelash curler thereof.

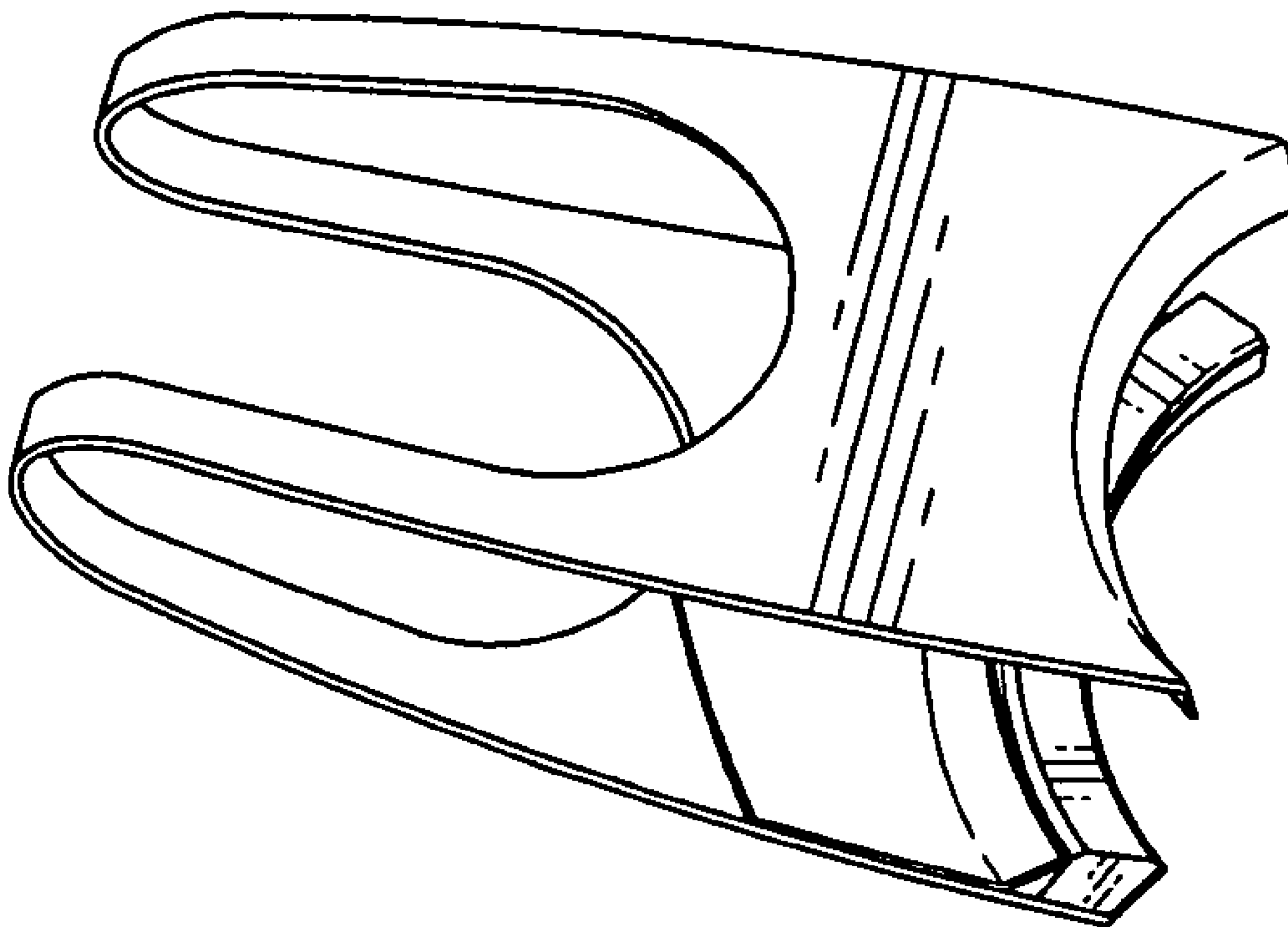
(56) **References Cited**

U.S. PATENT DOCUMENTS

2,323,595	A *	7/1943	Hanisch	132/317
D215,985	S *	11/1969	Silson	D28/36
3,625,229	A *	12/1971	Silson	132/216
D515,242	S *	2/2006	Cho	D28/36
D573,307	S *	7/2008	Cho	D28/36
D607,147	S *	12/2009	Sugawara	D28/36
D609,403	S *	2/2010	Cho	D28/36
2002/0189628	A1 *	12/2002	Iosilevich	132/217

* cited by examiner

1 Claim, 1 Drawing Sheet



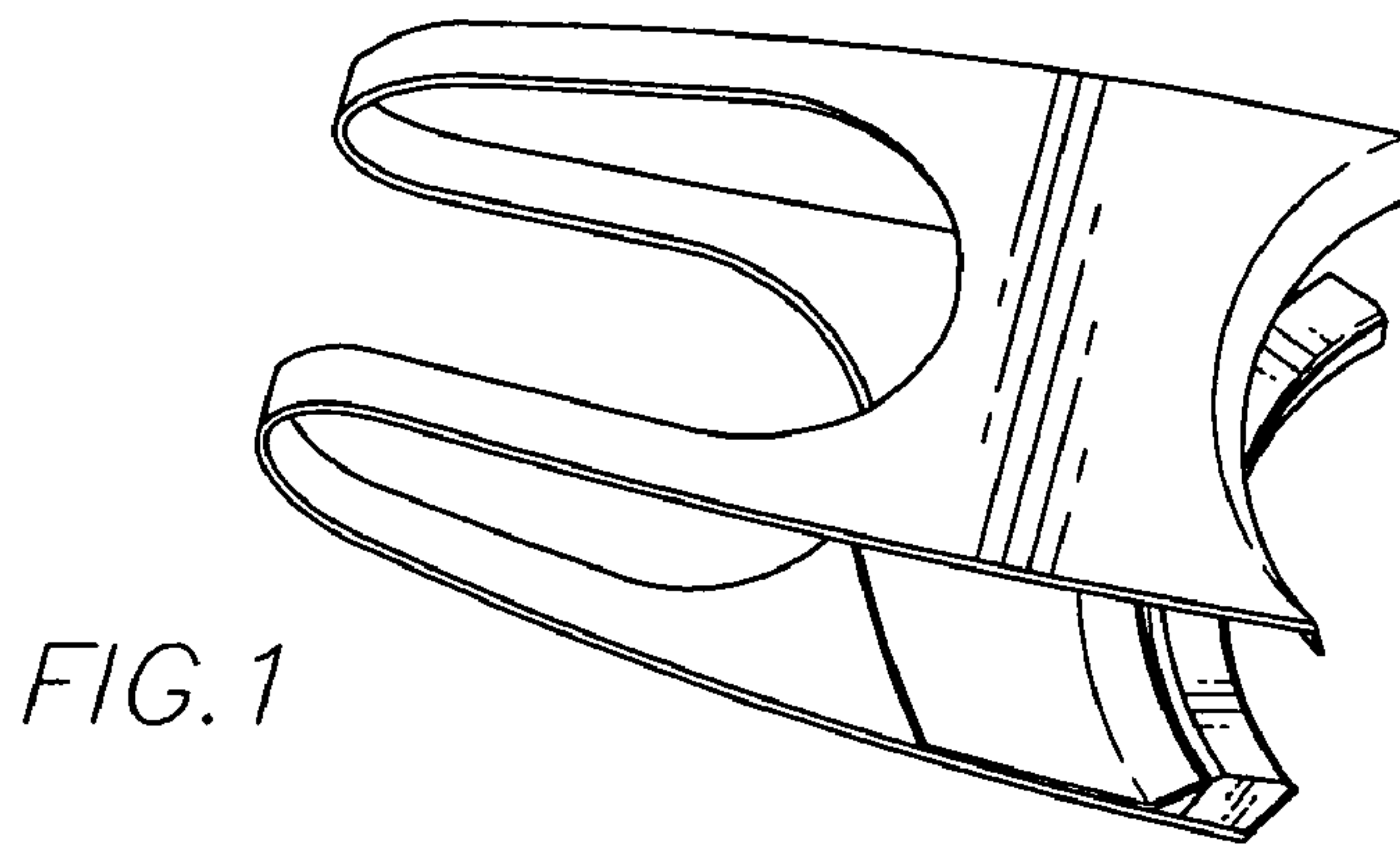


FIG. 1

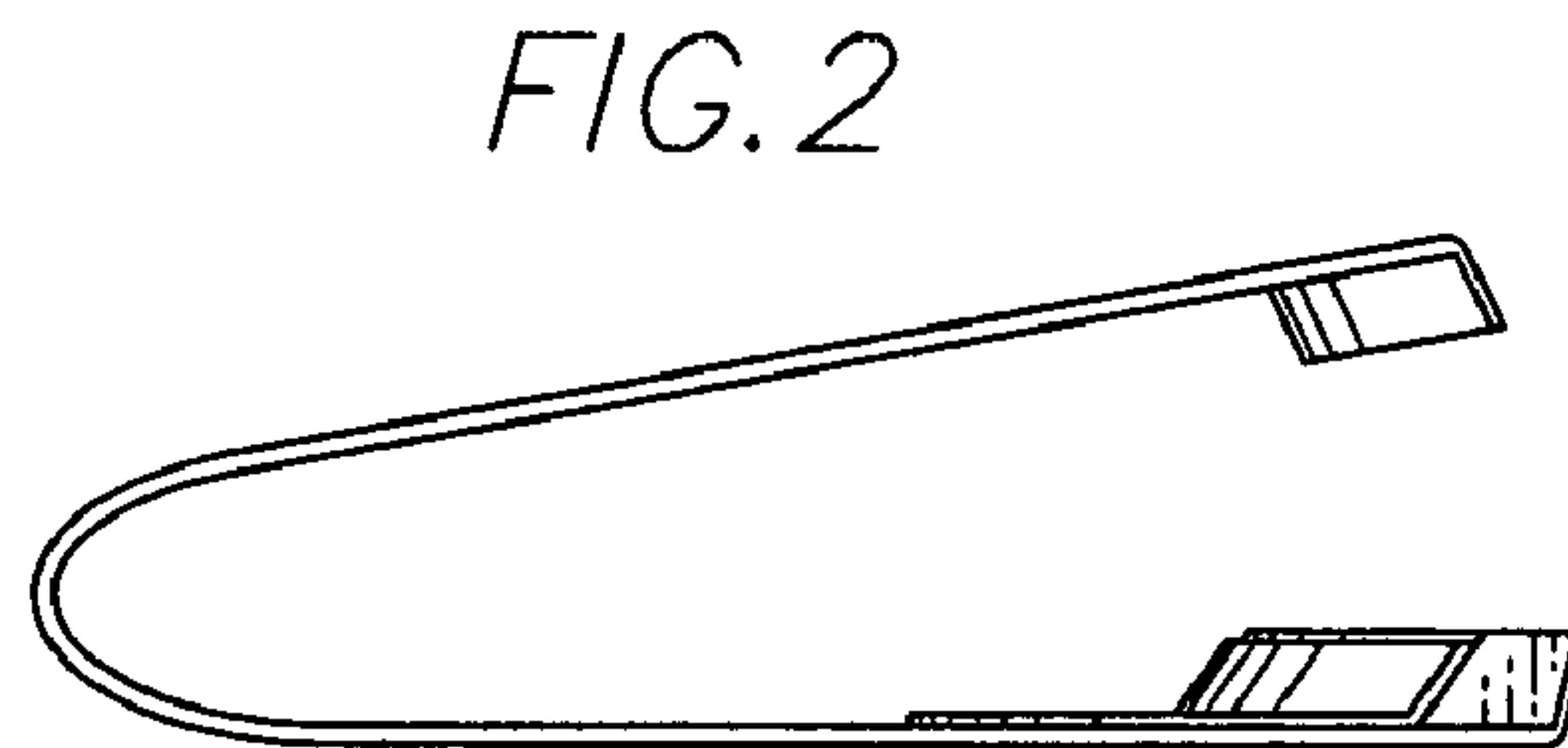


FIG. 2

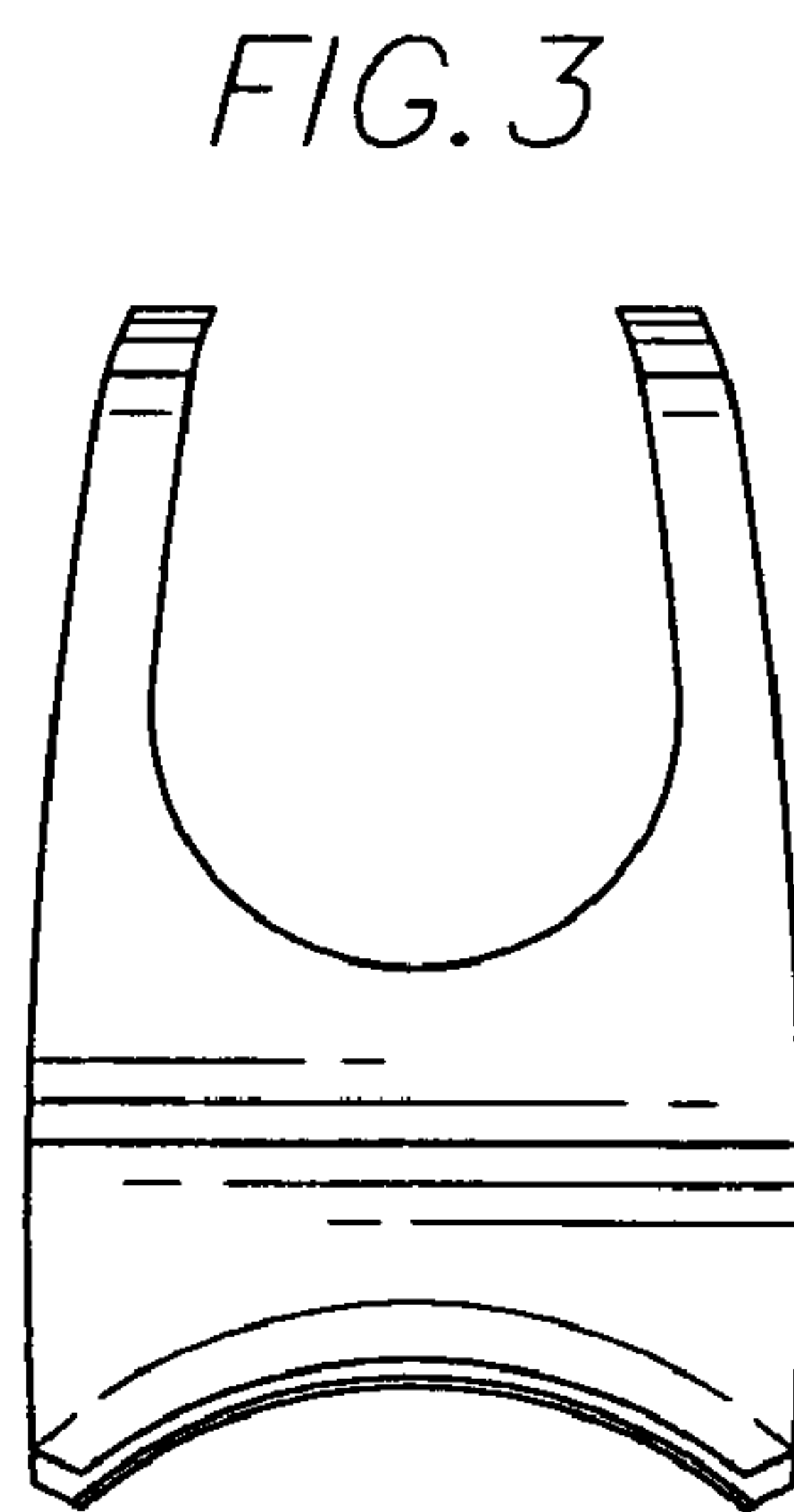


FIG. 3

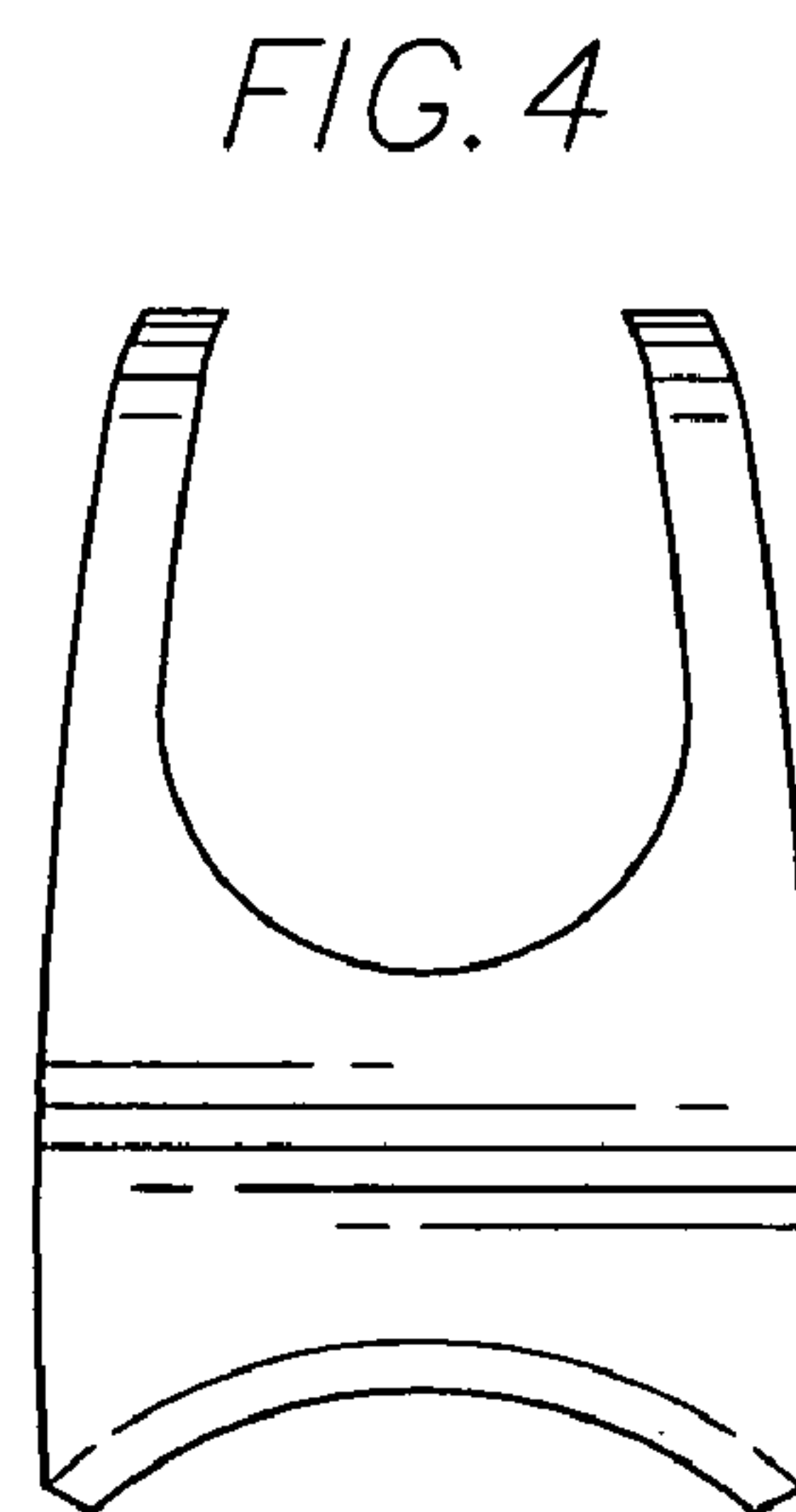


FIG. 4

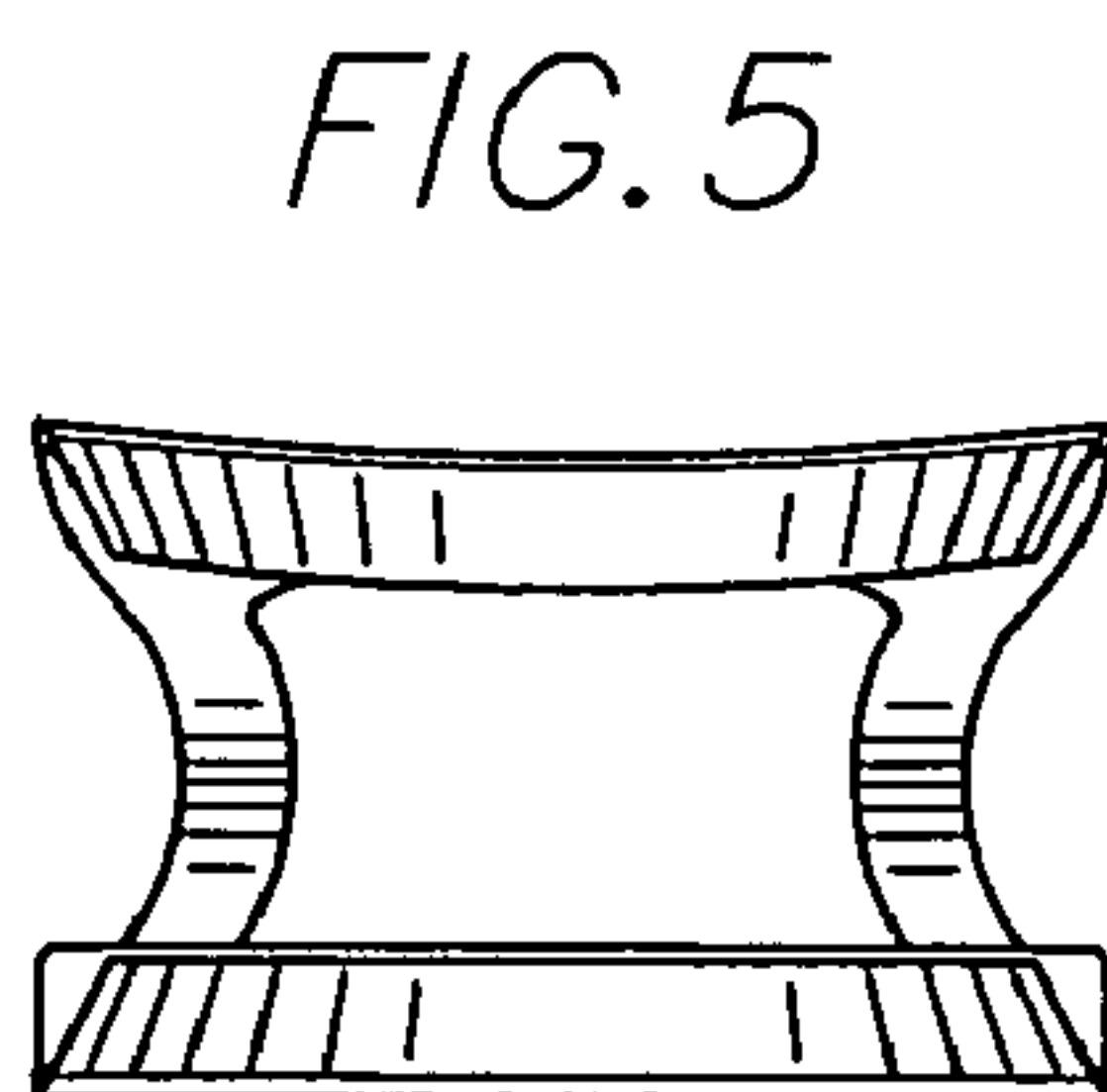


FIG. 5

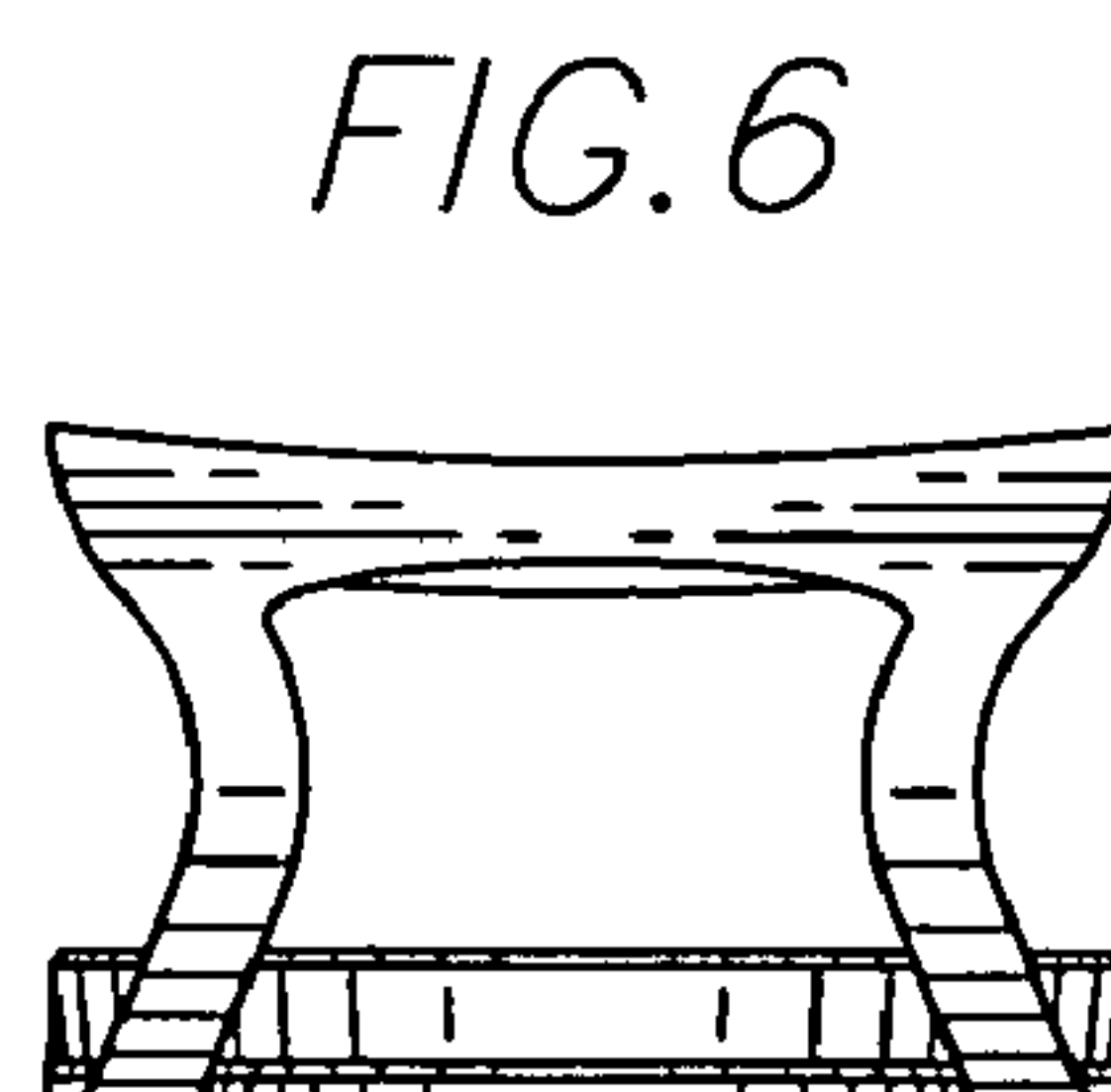


FIG. 6