



US00D631601S

(12) **United States Design Patent**
Lodhie

(10) **Patent No.:** **US D631,601 S**
(45) **Date of Patent:** **** *Jan. 25, 2011**

(54) **LED LIGHT MODULE WITH CUTOUTS**

U.S. Appl. No. 11/924,496, filed Oct. 25, 2007, Lodhie.

(76) Inventor: **Pervaiz Lodhie**, 23105 Kashiwa Ct.,
Torrance, CA (US) 90505

(Continued)

(**) Term: **14 Years**

Primary Examiner—Clare E Heflin

(21) Appl. No.: **29/356,312**

(74) *Attorney, Agent, or Firm*—Alonzo & Associates; Arlyn Alonzo

(22) Filed: **Feb. 23, 2010**

(57) **CLAIM**

Related U.S. Application Data

The ornamental design for a LED light module with cutouts, as shown and described.

(63) Continuation of application No. 29/318,604, filed on Jun. 10, 2008, now Pat. No. Des. 613,886.

(51) **LOC (9) Cl.** **26-99**

DESCRIPTION

(52) **U.S. Cl.** **D26/122; D26/118**

FIG. 1 is a perspective view of the LED light module with cutouts showing a first embodiment of the design;

(58) **Field of Classification Search** D26/1,

FIG. 2 is a right side view thereof.

D26/24, 67, 68, 71, 72, 80, 118, 120–122;
362/249.02, 249.03, 249.06, 294; 438/28

FIG. 3 is a left side view thereof.

See application file for complete search history.

FIG. 4 is a front view thereof.

(56) **References Cited**

FIG. 5 is a back view thereof.

U.S. PATENT DOCUMENTS

FIG. 6 is a top view thereof.

| | | | | |
|--------------|---------|------------------|-------|---------|
| D27,705 S * | 9/1897 | Jacobs | | D25/109 |
| 1,800,078 A | 4/1931 | Johnson | | |
| 1,838,789 A | 12/1931 | Schepperle | | |
| D127,593 S * | 6/1941 | Shuman | | D26/122 |
| D129,140 S * | 8/1941 | Cadwallader | | D26/122 |
| 2,260,473 A | 10/1941 | Minchillo | | |
| 2,408,643 A | 10/1946 | Hoy | | |
| D168,812 S * | 2/1953 | Ulrick | | D26/67 |
| D183,068 S * | 6/1958 | Spaulding et al. | | D26/24 |

FIG. 7 is a bottom view thereof.

FIG. 8 is a perspective view of the LED light module with cutouts showing the design of FIG. 1 with both the back plate, and claimed portions thereof being removed for illustrative purposes only;

FIG. 9 is a side view thereof showing the design mounted on a street post;

FIG. 10 is a perspective view of the LED light module with cutouts showing a second embodiment of the design; and,

FIG. 11 is a perspective view of the LED light module with cutouts showing the design of FIG. 10 with both the back plate, and claimed portions thereof being removed for illustrative purposes only.

(Continued)

OTHER PUBLICATIONS

Jiashan Ever Advanced Technologies Co., Ltd. LED Modules shown on web page from the Alibaba Manufacturing Directory Nov. 20, 2009.*

U.S. Appl. No. 11/928,349, filed Oct. 30, 2007, Lodhie.

U.S. Appl. No. 29/302,219, filed Jan. 11, 2008, Lodhie.

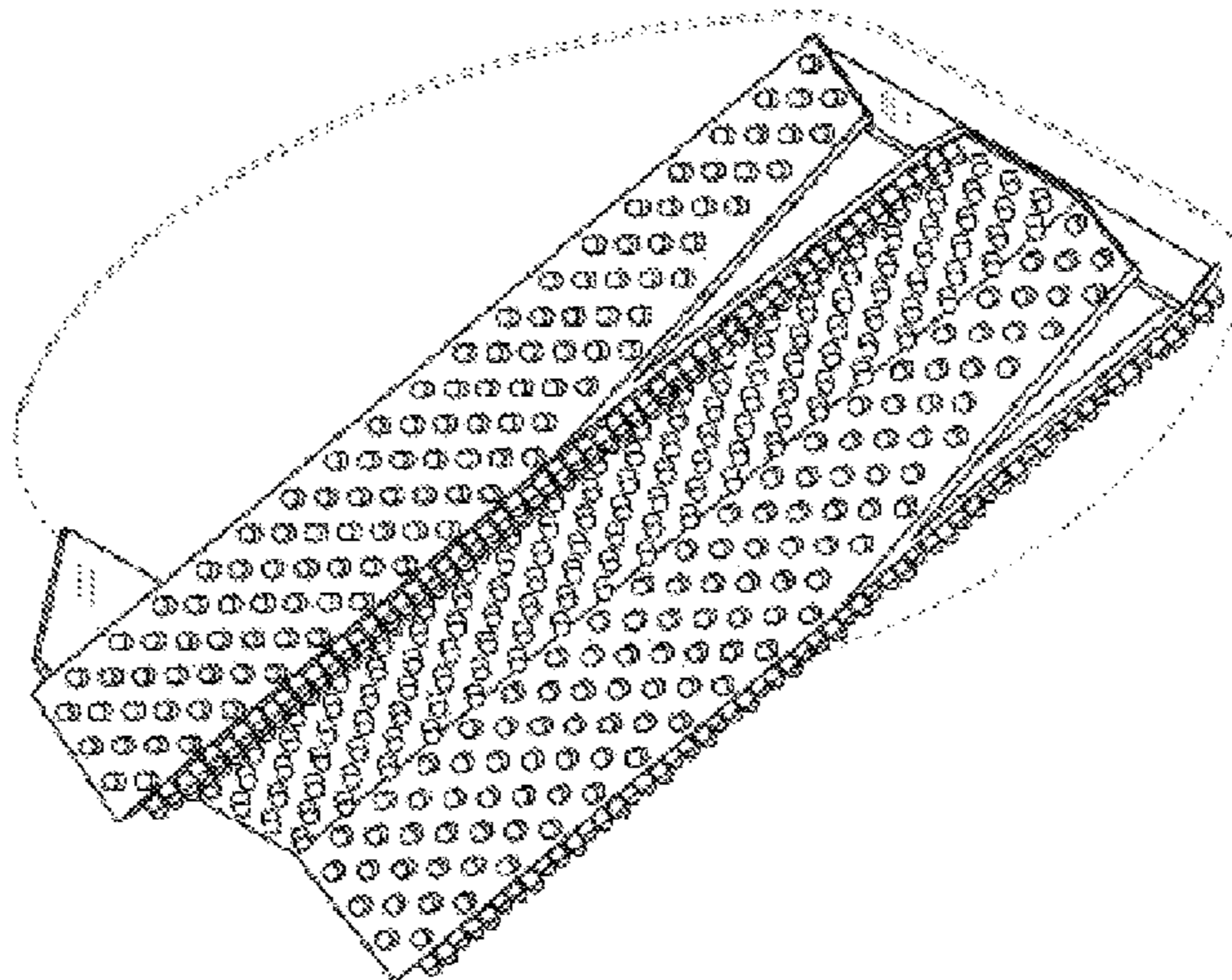
U.S. Appl. No. 29/322,471, filed Aug. 5, 2008, Lodhie.

U.S. Appl. No. 29/322,210, filed Aug. 20, 2008, Lodhie.

U.S. Appl. No. 29/324,267, filed Sep. 9, 2008, Lodhie.

The back plate, street post and the housing of the LED light module with cutouts are all shown in broken lines in the figures to represent environment only and form no part of the claimed design.

1 Claim, 9 Drawing Sheets



US D631,601 S

Page 2

| U.S. PATENT DOCUMENTS | | | |
|-----------------------|---------------------------------|-------------------|--------------------------------------|
| D187,616 S * | 4/1960 Husby et al. D26/71 | 5,921,660 A | 7/1999 Yu |
| D195,310 S | 5/1963 Zagel | 5,929,788 A | 7/1999 Vukosic |
| D198,183 S * | 5/1964 Akely D26/71 | 5,947,588 A | 9/1999 Huang |
| 3,183,346 A | 5/1965 Spaulding et al. | 5,964,051 A | 10/1999 Loeber et al. |
| D201,380 S * | 6/1965 Schwenkler D26/122 | 5,984,494 A | 11/1999 Chapman et al. |
| D206,021 S * | 10/1966 Carter D26/121 | 6,011,493 A | 1/2000 Bushell et al. |
| D207,551 S * | 5/1967 Spaulding D26/71 | 6,013,985 A | 1/2000 Green et al. |
| D209,721 S * | 12/1967 Stanley D10/111 | D434,510 S | 11/2000 Lodhie |
| 3,474,381 A | 10/1969 Baldwin | 6,152,568 A | 11/2000 Baba et al. |
| 3,539,801 A | 11/1970 Bobrick | 6,220,722 B1 | 4/2001 Begemann |
| 3,603,918 A | 9/1971 Woertz | 6,227,679 B1 | 5/2001 Zhang et al. |
| 3,718,816 A | 2/1973 Seelbach et al. | 6,234,648 B1 | 5/2001 Borner et al. |
| 3,980,368 A | 9/1976 Fremont | 6,250,774 B1 * | 6/2001 Begemann et al. 362/231 |
| 4,190,309 A | 2/1980 Glass | 6,283,612 B1 | 9/2001 Hunter |
| 4,211,955 A | 7/1980 Ray | 6,286,978 B1 * | 9/2001 Tait et al. 362/249.06 |
| 4,214,295 A | 7/1980 Morton | 6,336,613 B1 | 1/2002 Roth |
| 4,217,018 A | 8/1980 Yoshida et al. | 6,345,902 B2 | 2/2002 Ohkohdo et al. |
| 4,655,520 A | 4/1987 Cummings | 6,371,636 B1 | 4/2002 Wesson |
| 4,727,289 A | 2/1988 Uchida | 6,457,270 B1 | 10/2002 Stark, III et al. |
| 4,729,742 A | 3/1988 Onishi et al. | 6,457,410 B1 | 10/2002 Zerillo |
| 4,772,869 A | 9/1988 Grammas et al. | 6,550,949 B1 | 4/2003 Bauer et al. |
| 4,812,814 A | 3/1989 Elliott | 6,580,228 B1 | 6/2003 Chen et al. |
| 4,868,719 A | 9/1989 Kouchi et al. | 6,598,996 B1 | 7/2003 Lodhie |
| 4,907,361 A | 3/1990 Villard | 6,659,622 B2 | 12/2003 Katogi et al. |
| 4,965,457 A | 10/1990 Wrobel | 6,659,623 B2 | 12/2003 Friend |
| 5,055,984 A | 10/1991 Hung et al. | 6,659,632 B2 | 12/2003 Chen |
| D321,407 S * | 11/1991 Heidmann D26/72 | 6,700,502 B1 | 3/2004 Pederson |
| D326,532 S | 5/1992 Hume et al. | 6,722,771 B1 | 4/2004 Stephens |
| 5,119,174 A | 6/1992 Chen | 6,768,047 B2 | 7/2004 Chang et al. |
| 5,151,679 A | 9/1992 Dimmick | 6,773,148 B2 * | 8/2004 Kasboske 362/493 |
| 5,152,601 A | 10/1992 Ferng | 6,814,459 B2 | 11/2004 Pederson |
| 5,154,509 A | 10/1992 Wulfman et al. | D500,882 S * | 1/2005 Herst et al. D26/118 |
| 5,160,200 A | 11/1992 Cheselske | 6,942,361 B1 * | 9/2005 Kishimura et al. 362/240 |
| 5,160,201 A | 11/1992 Wrobel | 7,063,451 B2 | 6/2006 Shen |
| 5,193,904 A | 3/1993 Rist et al. | 7,111,957 B2 | 9/2006 Bernhart et al. |
| 5,224,773 A | 7/1993 Arimura | 7,234,832 B2 | 6/2007 Lippis et al. |
| 5,237,490 A | 8/1993 Ferng | 7,237,932 B2 | 7/2007 Ter-Hovhannissian |
| 5,241,457 A | 8/1993 Sasajima et al. | D569,032 S * | 5/2008 Myer D26/118 |
| 5,303,124 A | 4/1994 Wrobel | D578,697 S * | 10/2008 Zheng et al. D26/71 |
| 5,353,209 A | 10/1994 Foottit | D599,942 S * | 9/2009 Zheng D26/71 |
| 5,390,092 A | 2/1995 Lin | D600,847 S * | 9/2009 Wung et al. D26/71 |
| D356,876 S * | 3/1995 Waldmann D26/107 | 7,585,090 B2 * | 9/2009 Wu 362/249.02 |
| 5,400,288 A | 3/1995 Kao | D605,341 S * | 12/2009 Chung et al. D26/118 |
| 5,410,453 A | 4/1995 Ruskouski | 2002/0163805 A1 | 11/2002 Hubbell et al. |
| 5,453,729 A | 9/1995 Chu | 2002/0171543 A1 | 11/2002 Abbe et al. |
| 5,526,236 A | 6/1996 Burnes et al. | 2002/0196707 A1 | 12/2002 Kitchin et al. |
| 5,567,036 A | 10/1996 Theobald et al. | 2003/0095404 A1 | 5/2003 Becks et al. |
| 5,577,832 A | 11/1996 Lodhie | 2003/0102810 A1 | 6/2003 Cross et al. |
| 5,585,783 A | 12/1996 Hall | 2004/0012959 A1 | 1/2004 Robertson et al. |
| 5,588,740 A | 12/1996 Kasuga | 2004/0062041 A1 | 4/2004 Cross et al. |
| 5,599,086 A | 2/1997 Dutta | 2006/0109661 A1 | 5/2006 Coushaine et al. |
| 5,629,607 A | 5/1997 Callahan et al. | 2007/0139930 A1 * | 6/2007 Spivak 362/294 |
| 5,647,658 A | 7/1997 Ziadi | 2007/0230184 A1 * | 10/2007 Shuy 362/294 |
| 5,661,374 A | 8/1997 Cassidy et al. | 2009/0135599 A1 * | 5/2009 Lin et al. 362/249.02 |
| 5,661,645 A | 8/1997 Hochstein | 2009/0141494 A1 * | 6/2009 Zhang et al. 362/249.03 |
| D385,051 S | 10/1997 Wu | 2009/0168418 A1 * | 7/2009 Zheng et al. 362/234 |
| 5,702,177 A | 12/1997 Lin | 2009/0185374 A1 * | 7/2009 Wu et al. 362/249.06 |
| D388,726 S | 1/1998 Wu | | |
| 5,710,560 A | 1/1998 Cohn | | |
| 5,765,940 A | 6/1998 Levy et al. | | |
| 5,772,315 A | 6/1998 Shen | | |
| 5,793,164 A | 8/1998 Authier | | |
| 5,803,585 A | 9/1998 Littman et al. | | |
| 5,806,965 A | 9/1998 Deese | | |
| D402,772 S | 12/1998 Lodhie | | |
| 5,842,297 A | 12/1998 Tung | | |
| D404,506 S | 1/1999 Lodhie | | |
| 5,855,268 A | 1/1999 Zoladz, Jr. | | |
| D405,201 S | 2/1999 Lodhie | | |
| 5,887,968 A | 3/1999 Logan | | |

OTHER PUBLICATIONS

U.S. Appl. No. 29/302,184, filed Jan. 11, 2008, Lodhie.
U.S. Appl. No. 12/137,337, filed Jun. 11, 2008, Lodhie.
U.S. Appl. No. 29/318,602, filed Jun. 10, 2008, Lodhie.
U.S. Appl. No. 29/318,604, filed Jun. 10, 2008, Lodhie.
Four (4) photographs of an LED light fixture that is commercially available.
LED light fixtures available on the following website: www.hollysolar.com.
LED light fixtures available on the following website: www.geblighting.com.

* cited by examiner

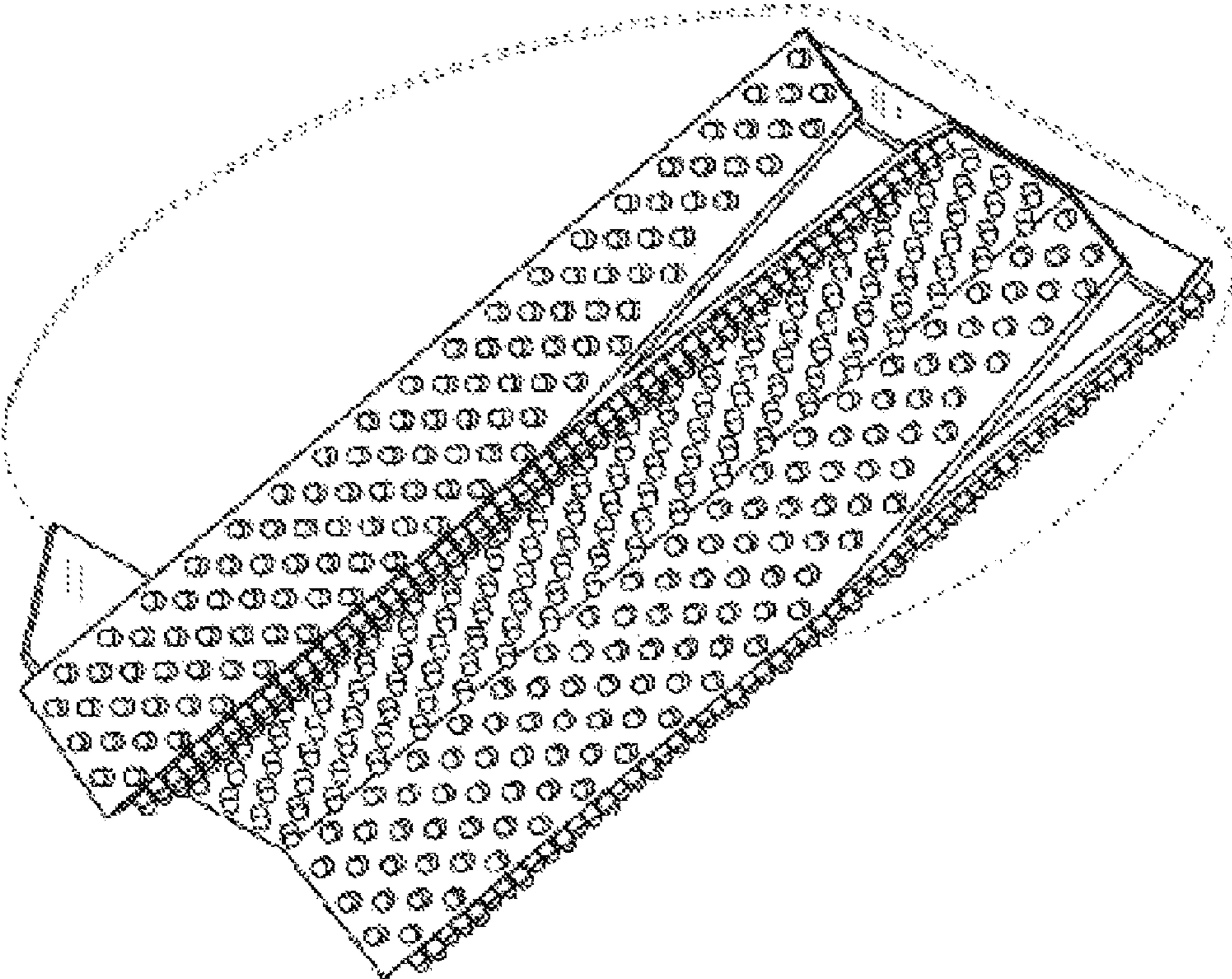


FIG. 1

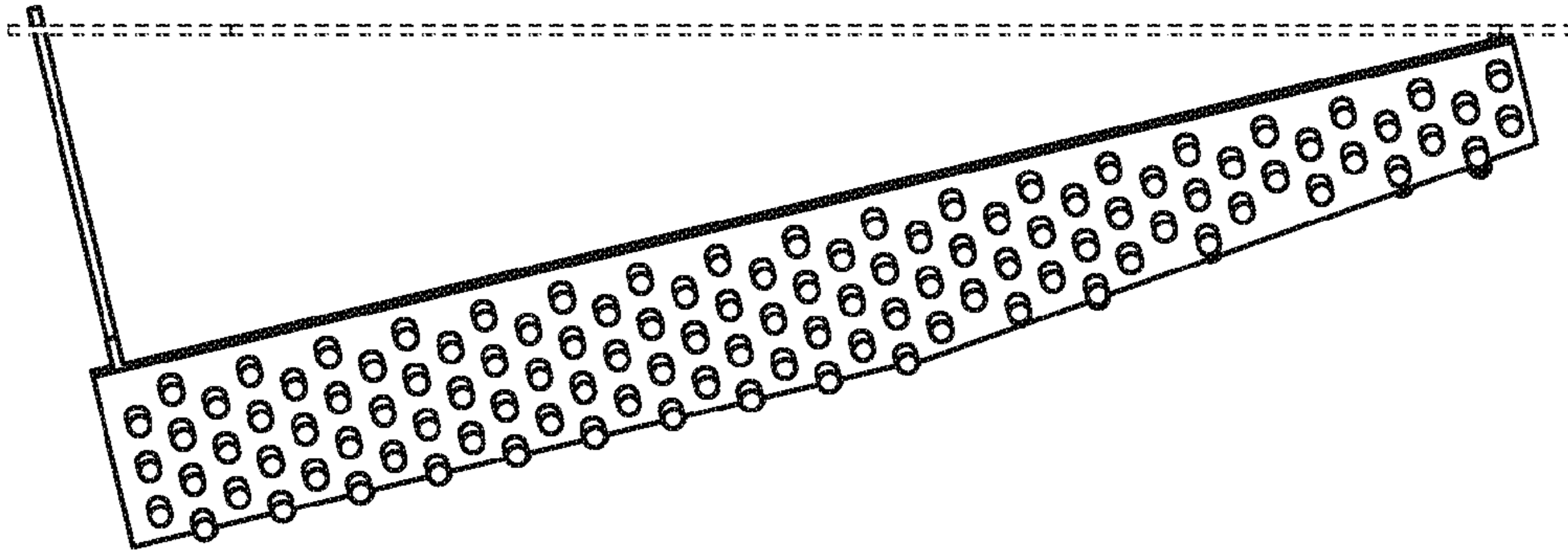


FIG. 2

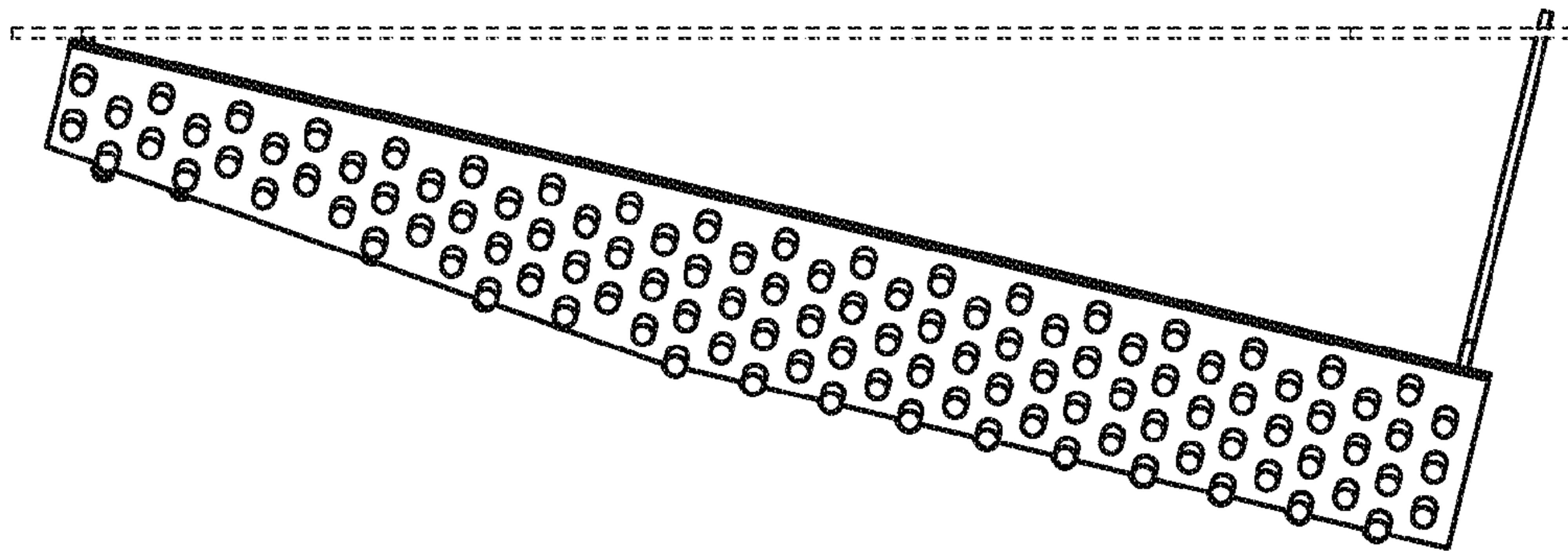


FIG. 3

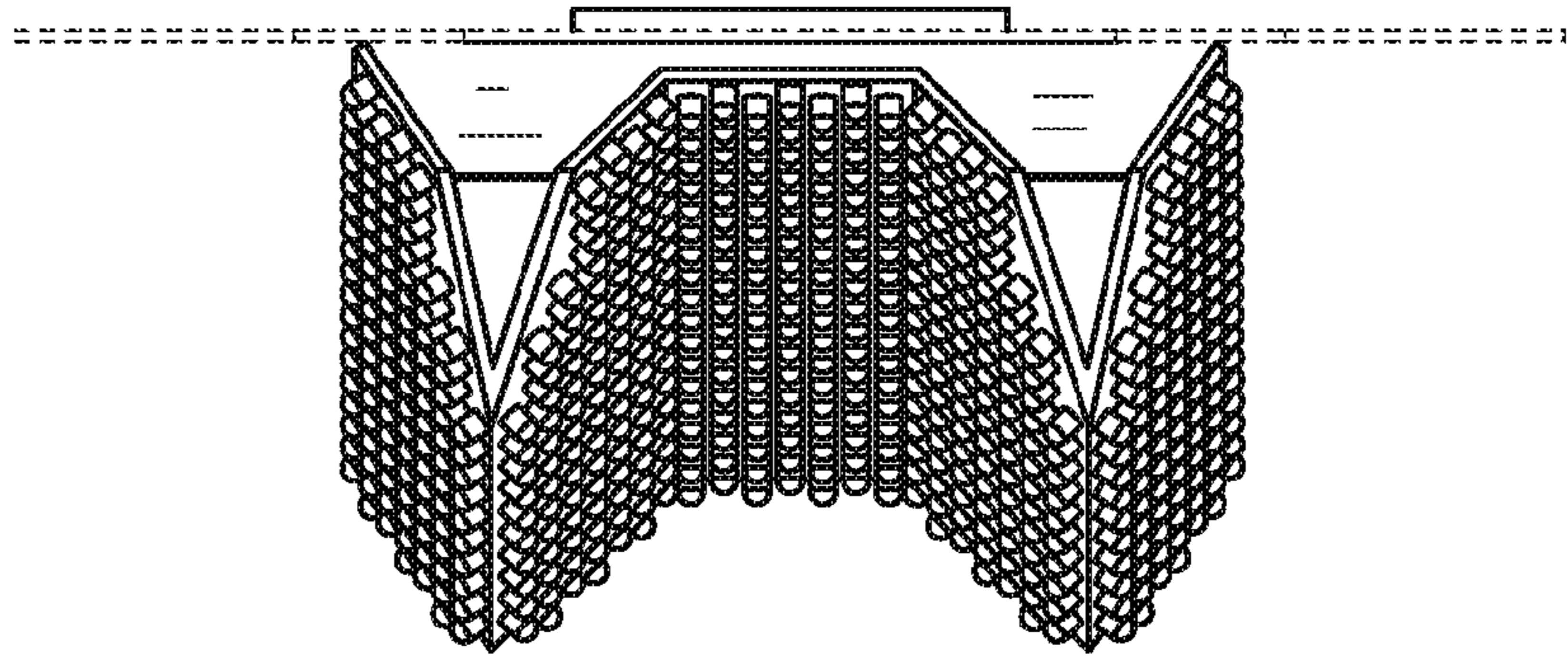


FIG. 4

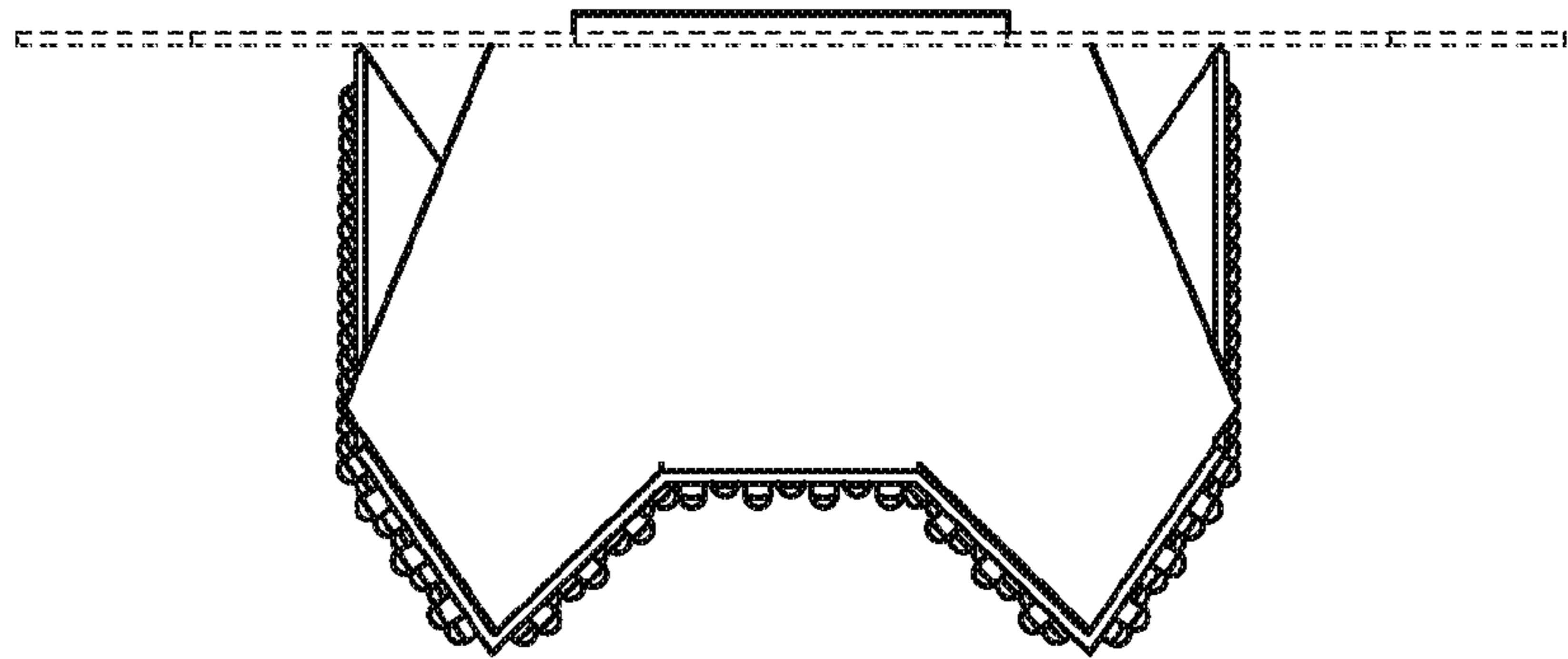


FIG. 5

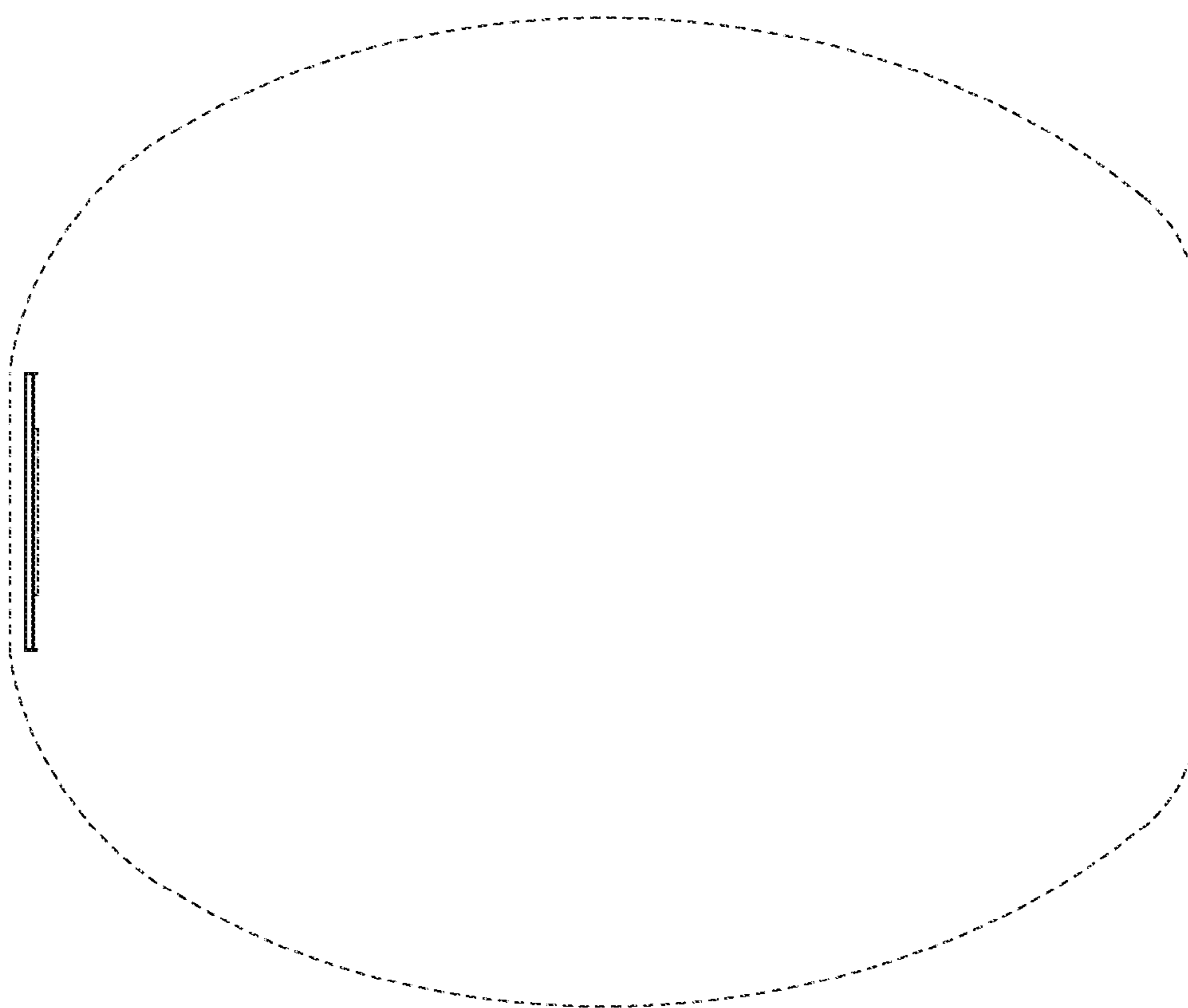


FIG. 6

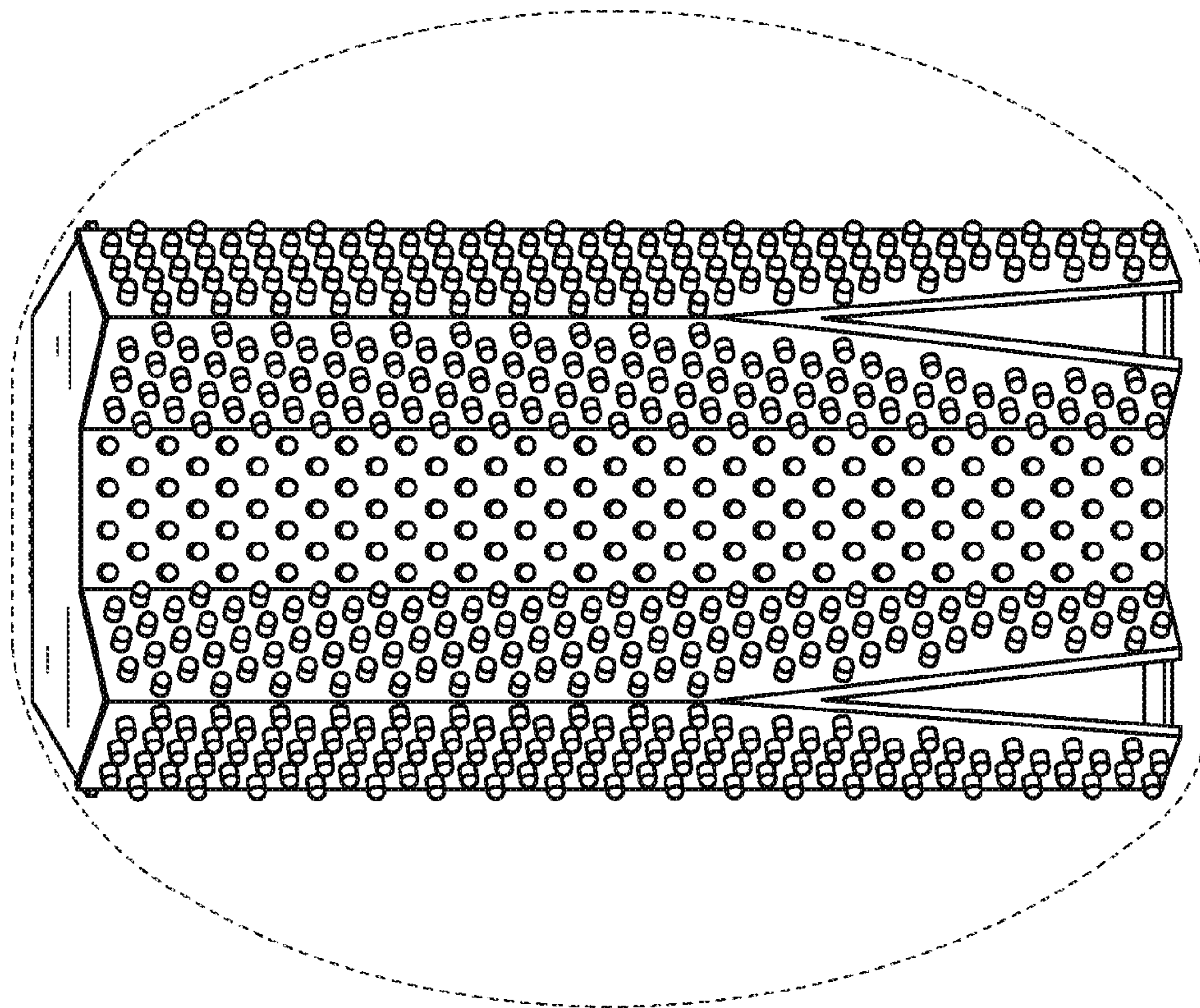


FIG.7

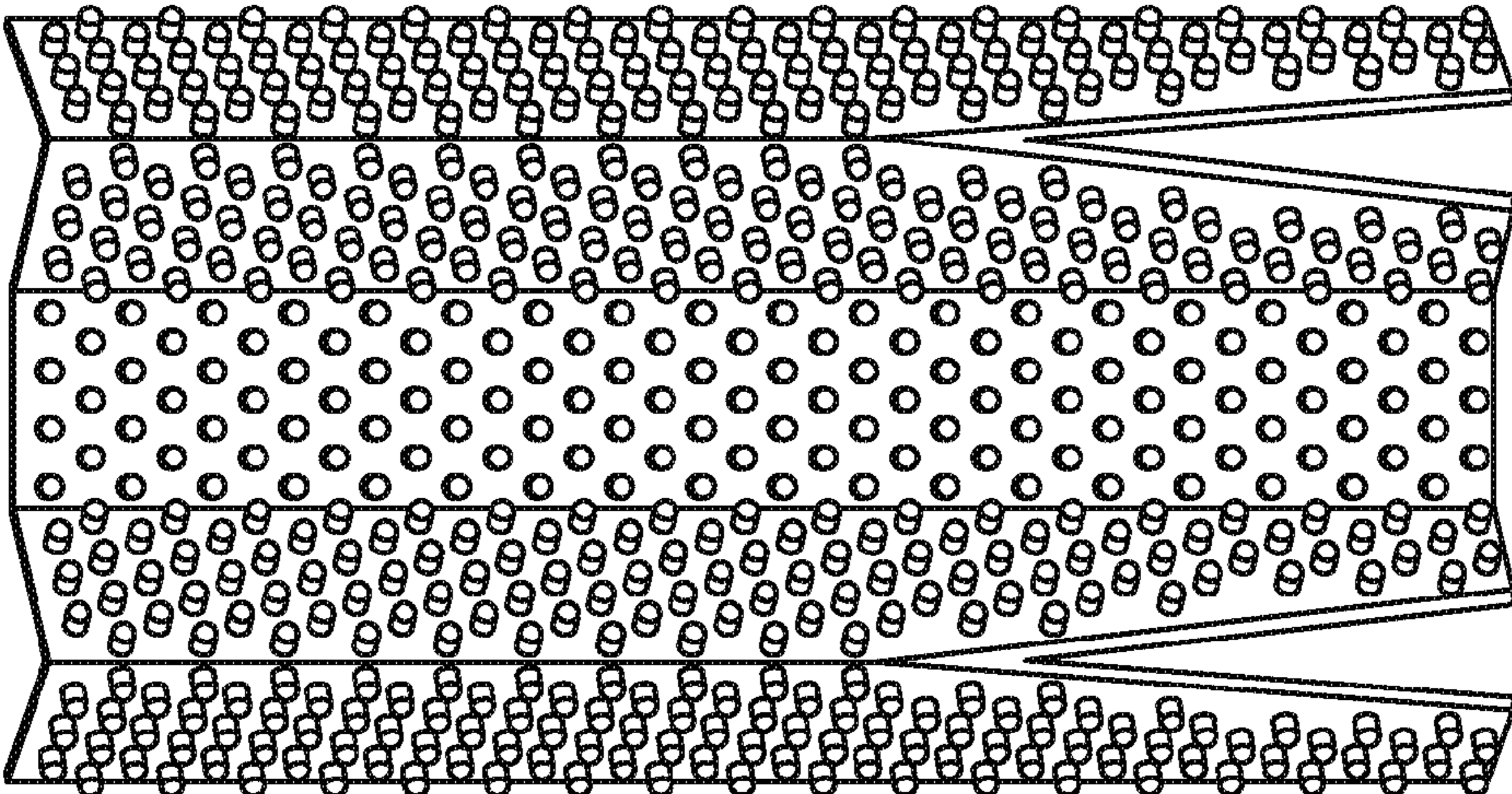


FIG.8

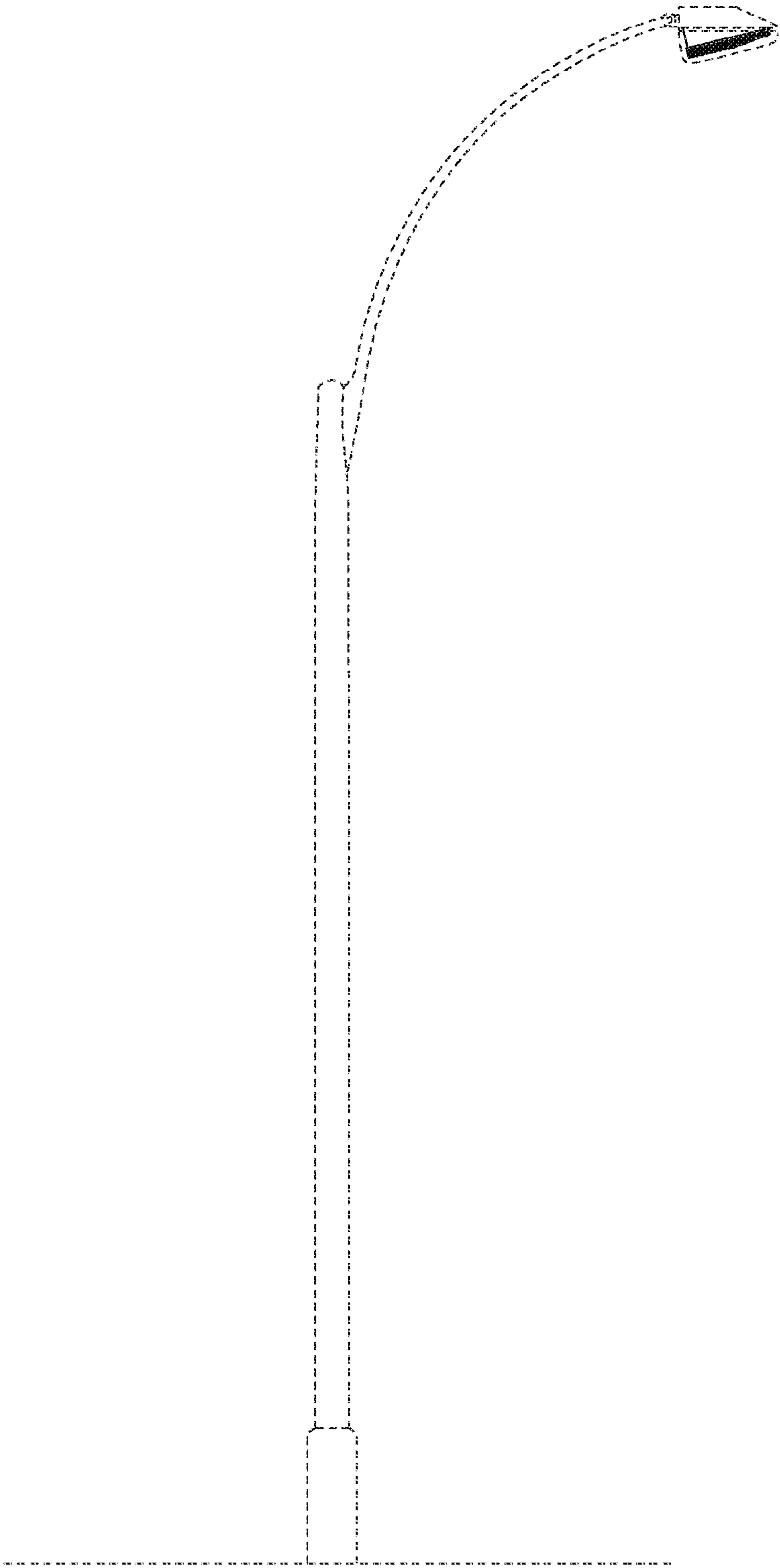


FIG.9

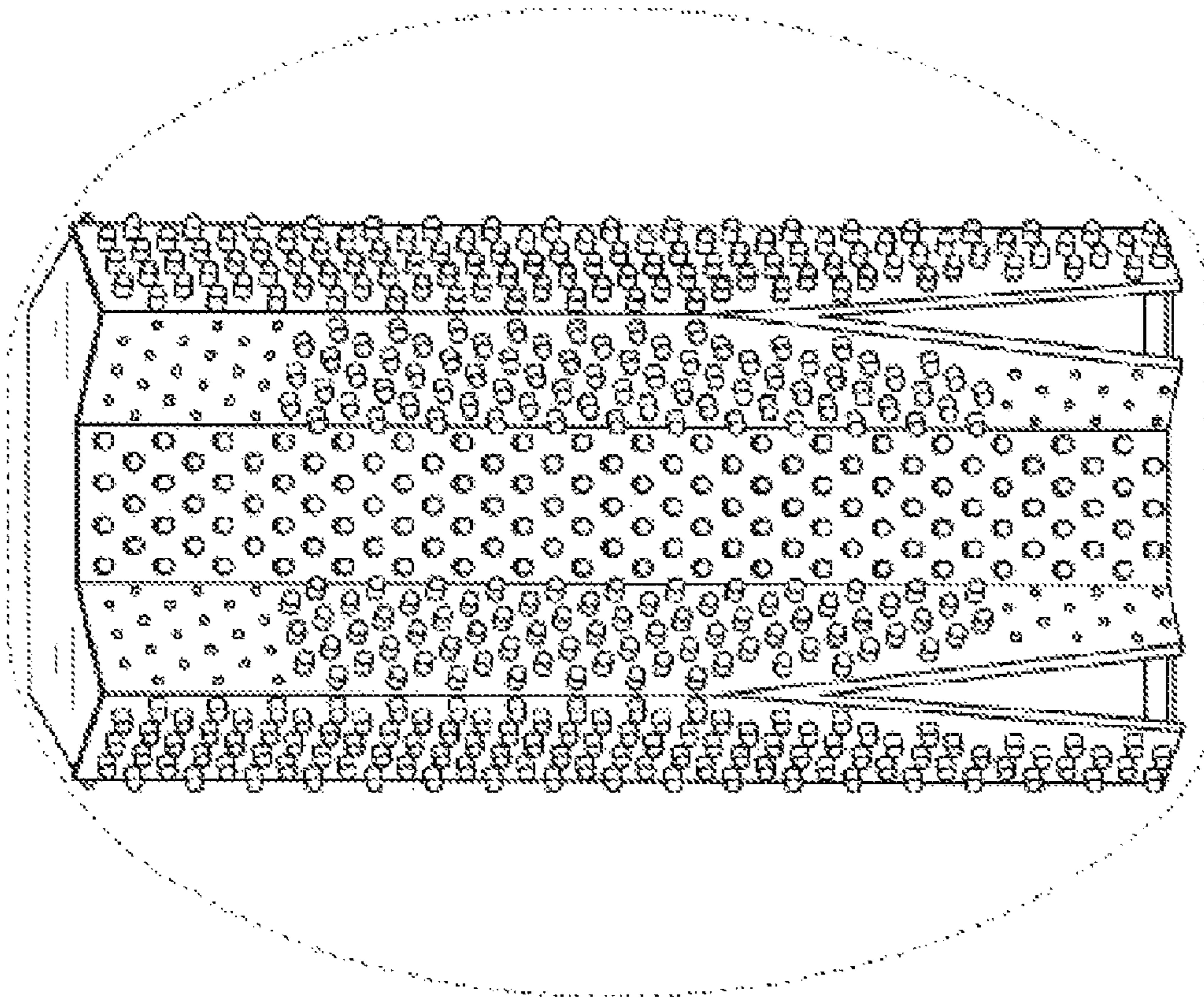


FIG. 10

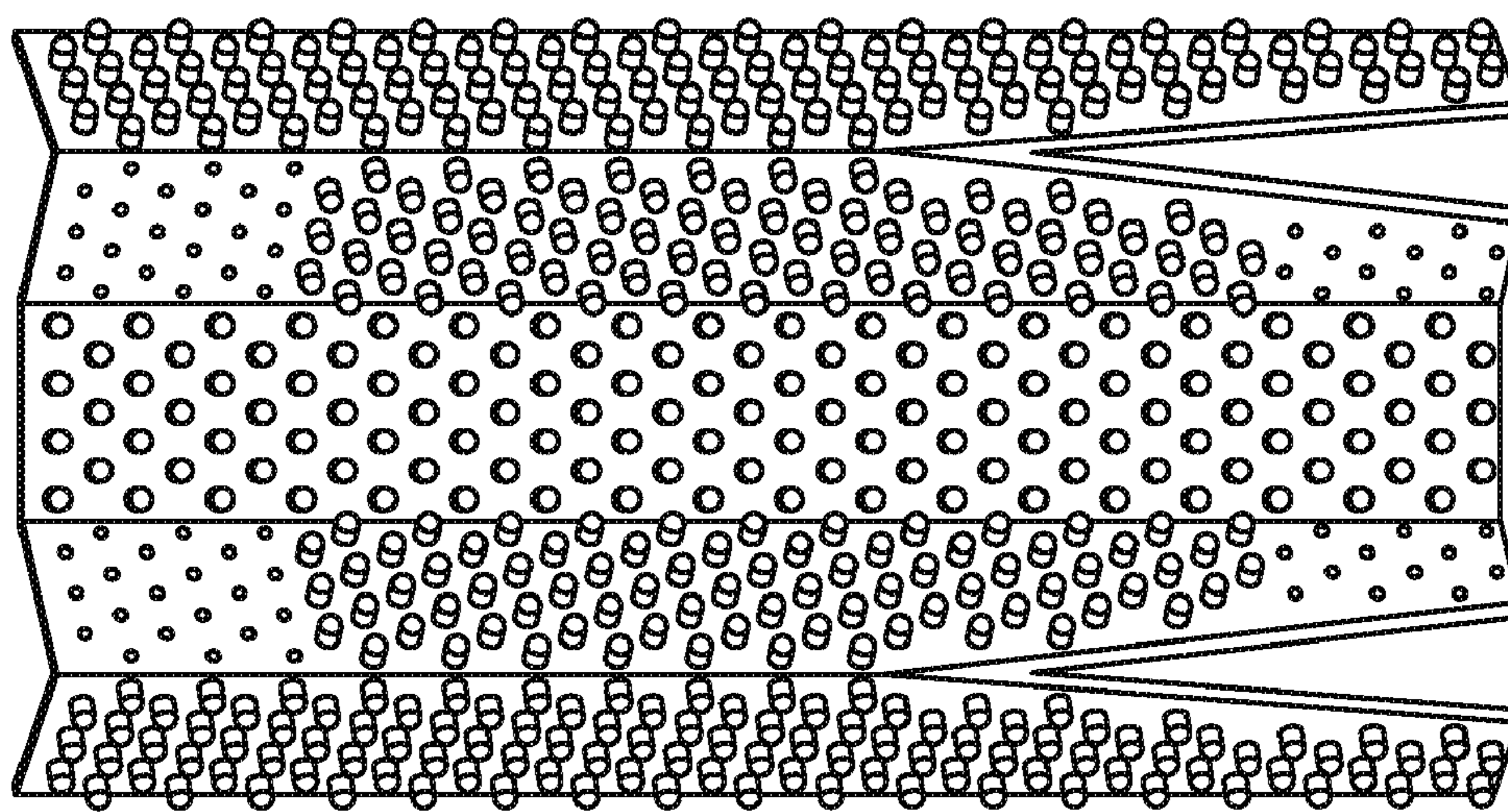


FIG. 11