



US00D631598S

(12) **United States Design Patent**
Kondo

(10) **Patent No.:** **US D631,598 S**
(45) **Date of Patent:** **** Jan. 25, 2011**

(54) **LENS FOR A LIGHT-EMITTING DIODE BULB**

(75) Inventor: **Masakazu Kondo**, Kawasaki (JP)

(73) Assignee: **Kondo Kogei Co., Ltd.**, Kanagawa (JP)

(**) Term: **14 Years**

(21) Appl. No.: **29/360,248**

(22) Filed: **Apr. 22, 2010**

(30) **Foreign Application Priority Data**

Dec. 1, 2009 (JP) 2009-028051

(51) **LOC (9) Cl.** **26-99**

(52) **U.S. Cl.** **D26/120**

(58) **Field of Classification Search** D26/101,
D26/155, 68, 67, 142, 81, 128, 124, 118,
D26/85, 86, 74, 87, 88, 76, 61, 70, 72, 102,
D26/120, 138, 140; D11/157, 117, 131,
D11/141; D13/102; 52/173.3; 362/362,
362/375, 294, 55, 563, 564, 147, 285, 290,
362/292, 330, 331, 351, 363, 410, 417, 800,
362/805

See application file for complete search history.

(56) **References Cited**

U.S. PATENT DOCUMENTS

3,027,481 A * 3/1962 Baber et al. 313/110
D271,241 S * 11/1983 Vrignaud D26/85
D361,400 S * 8/1995 Compton D26/85
5,760,531 A * 6/1998 Pederson 313/25
6,048,082 A * 4/2000 Washimoto 362/310
6,155,695 A * 12/2000 Sealy 362/237
D468,044 S * 12/2002 Lam D26/72
6,572,247 B2 * 6/2003 Liu 362/311.06
D535,262 S * 1/2007 Saito et al. D13/180

D576,572 S * 9/2008 Hata et al. D13/180
2005/0162864 A1 * 7/2005 Verdes et al. 362/555
2008/0080187 A1 * 4/2008 Purinton 362/294
2008/0203412 A1 * 8/2008 Shyu et al. 257/98
2009/0080187 A1 * 3/2009 Chou 362/231

* cited by examiner

Primary Examiner—Cathron C Brooks

Assistant Examiner—Kevin K Rudzinski

(74) *Attorney, Agent, or Firm*—Wenderoth, Lind & Ponack, L.L.P.

(57) **CLAIM**

The ornamental design for a lens for a light-emitting diode bulb, as shown and described.

DESCRIPTION

FIG. 1 is a top perspective view of a lens for a light-emitting diode bulb of the present design;

FIG. 2 is a bottom perspective view thereof;

FIG. 3 is a front elevational view thereof;

FIG. 4 is a top plan view thereof;

FIG. 5 is a bottom plan view thereof;

FIG. 6 is a sectional view thereof taken along line 6—6 of FIG. 3;

FIG. 7 is a sectional reference view, indicating that a light-emitting diode is attached to the lens for light-emitting diode bulb; and,

FIG. 8 is an exploded sectional reference view of the lens for light-emitting diode bulb shown in FIG. 7.

The broken lines shown in the drawings are included for the purpose of illustrating environmental structure and form no part of the claimed design.

1 Claim, 5 Drawing Sheets

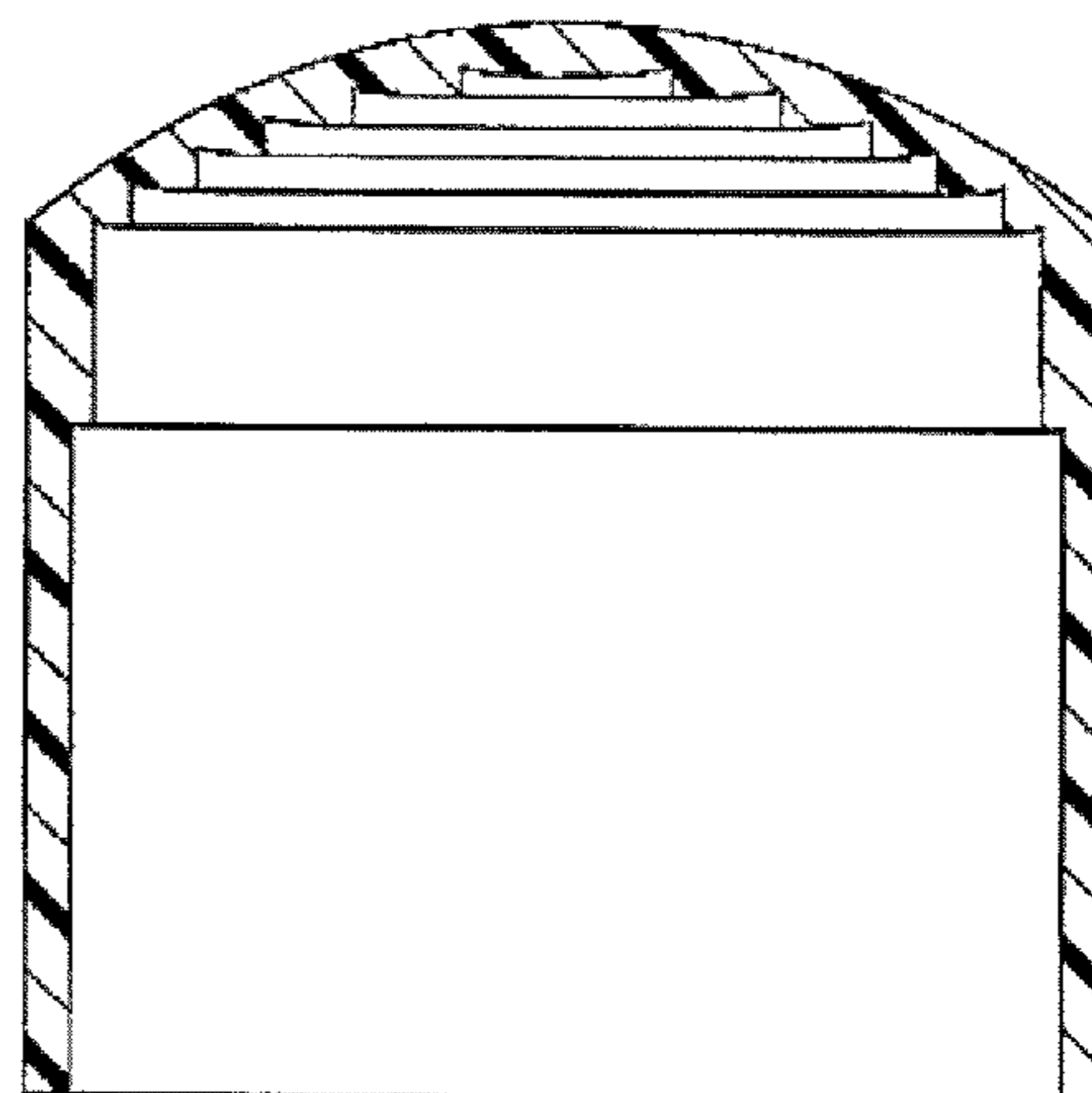
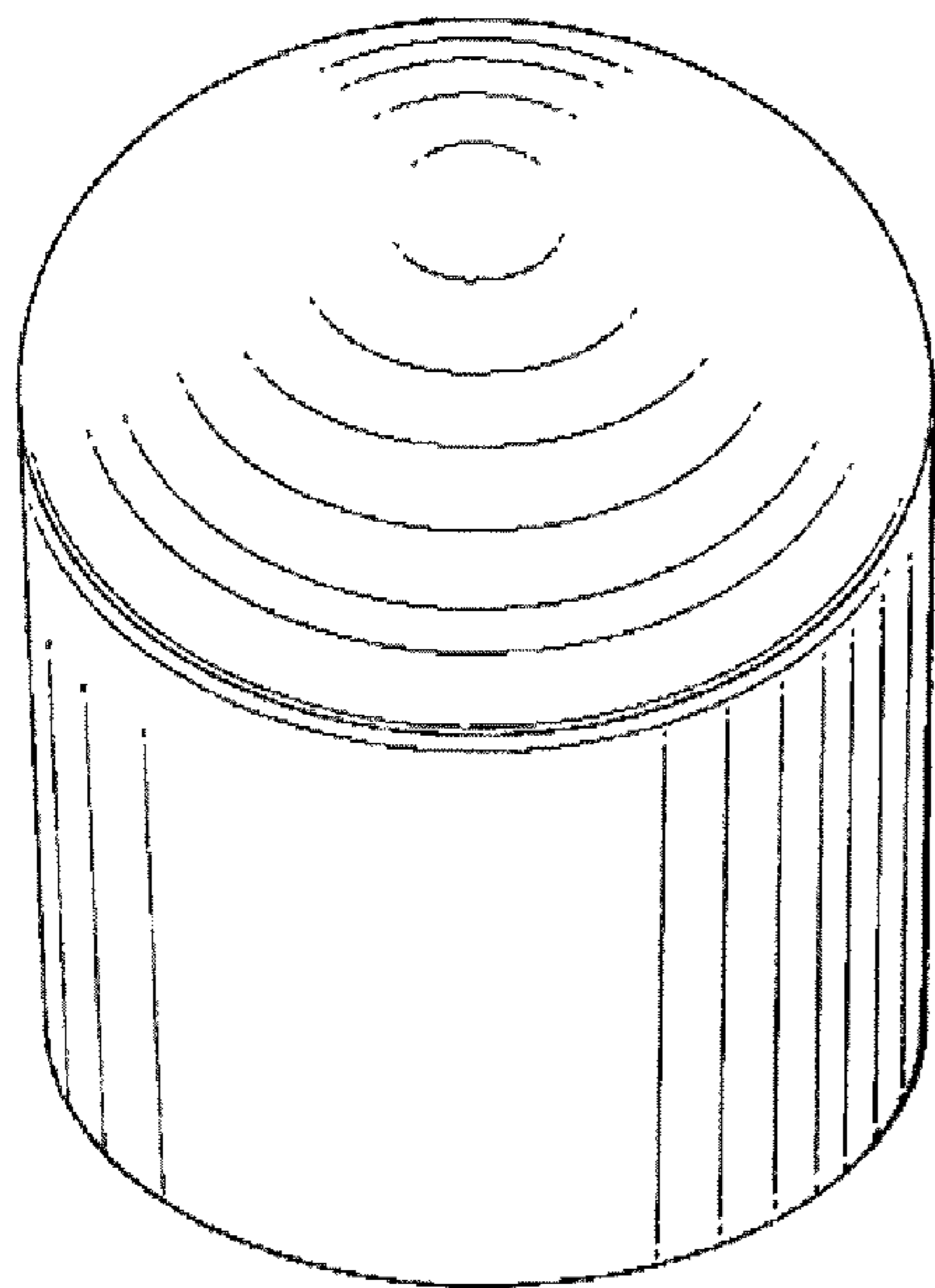


FIG. 1

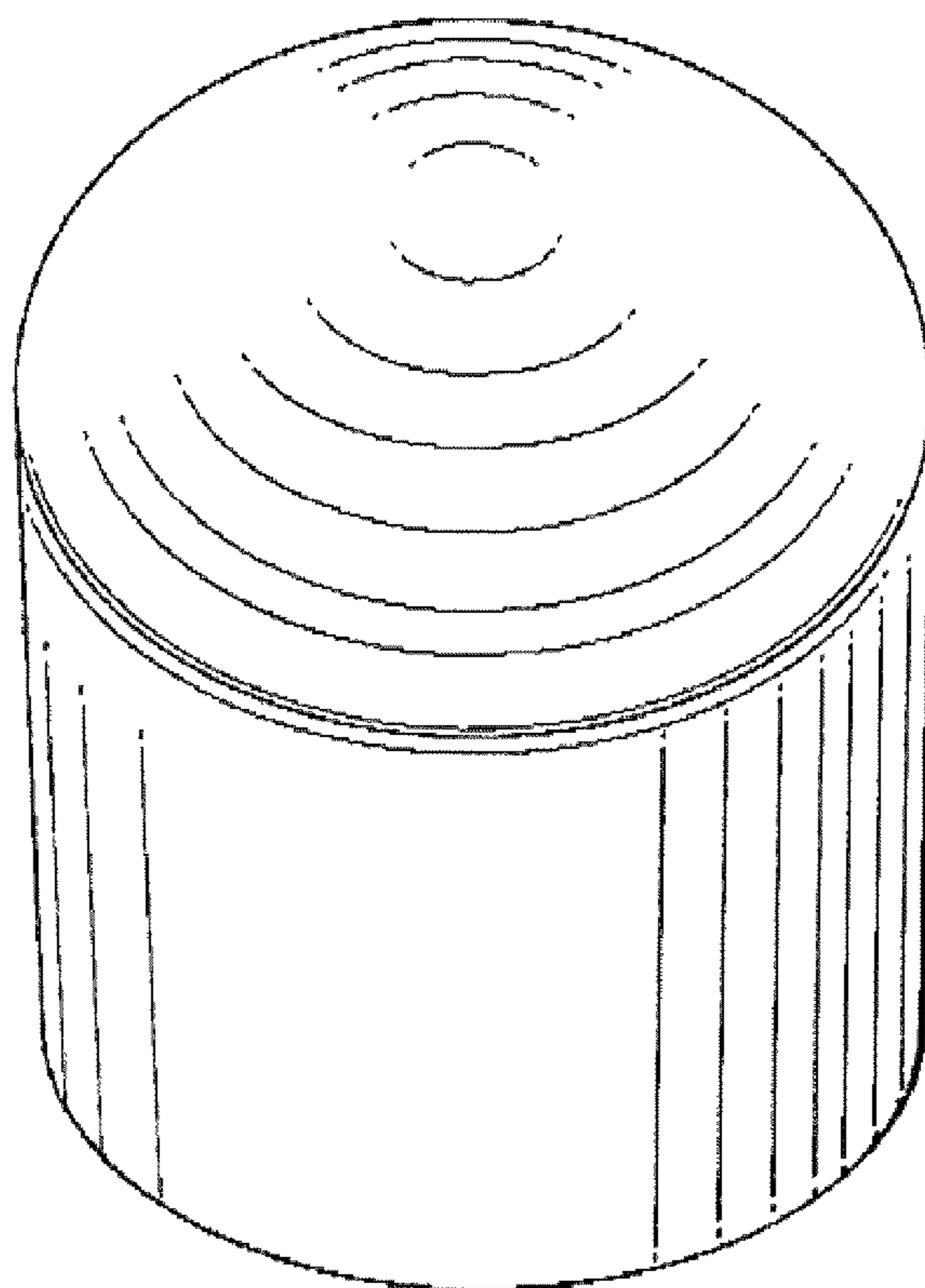


FIG. 2

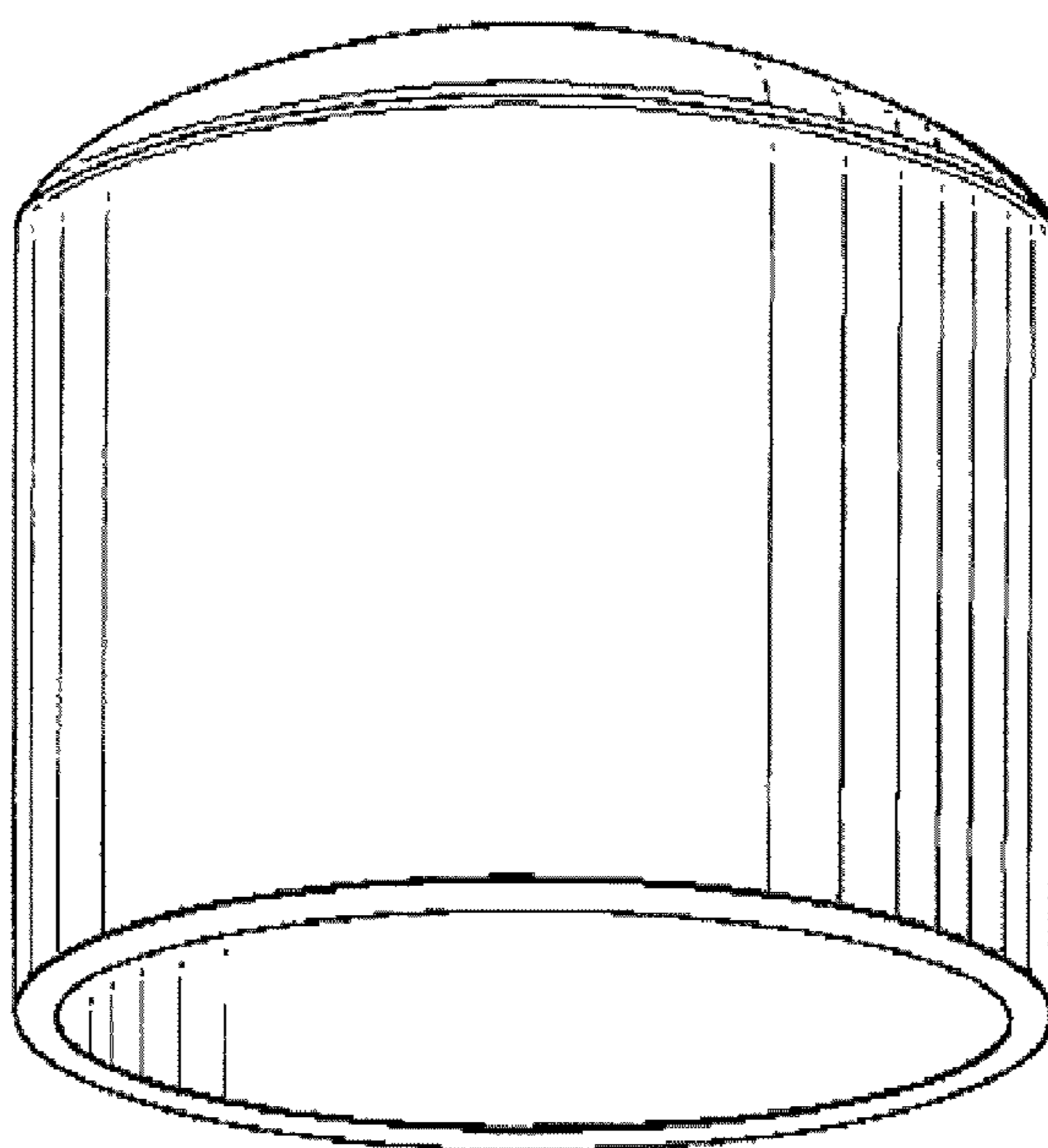


FIG. 3

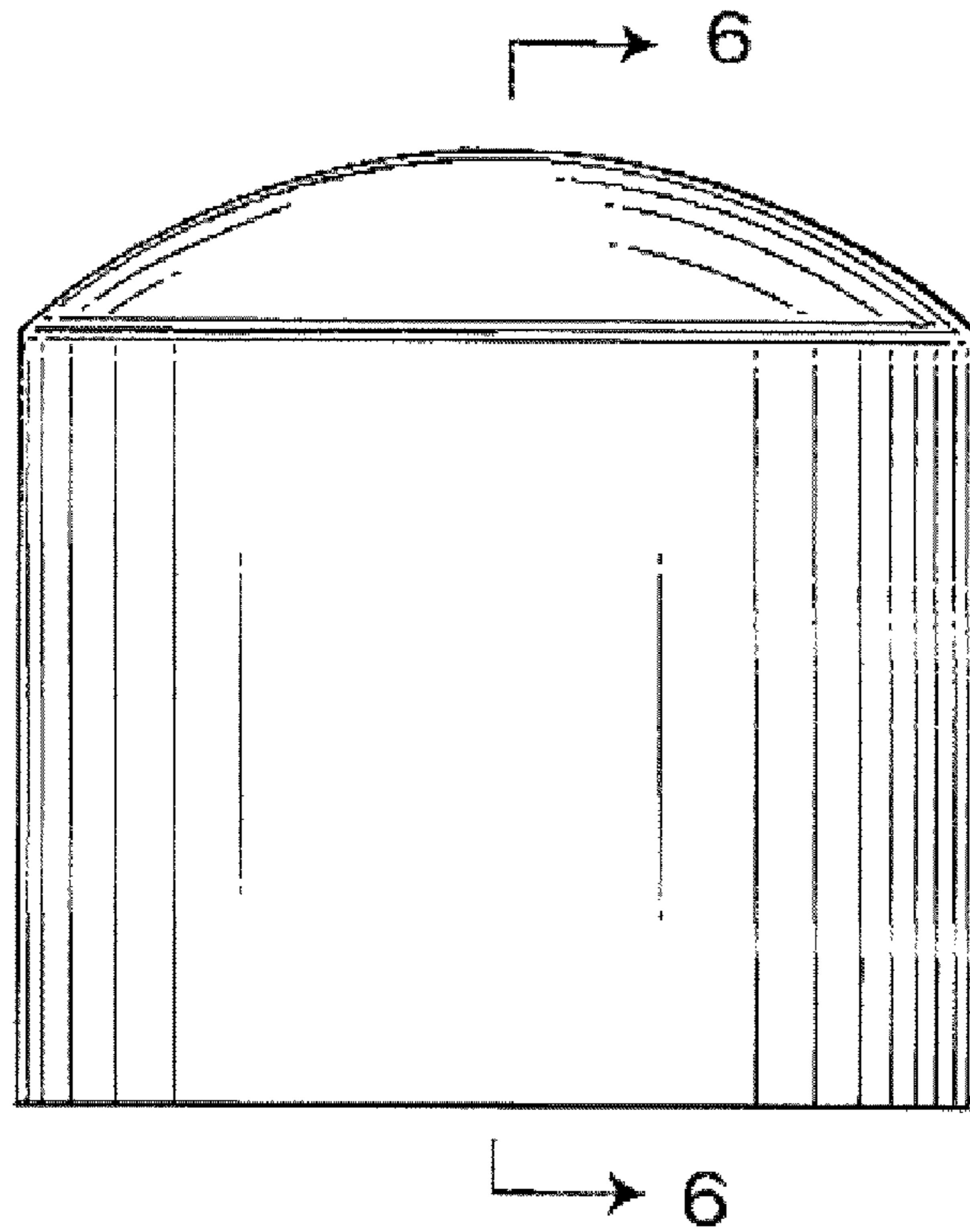


FIG. 4

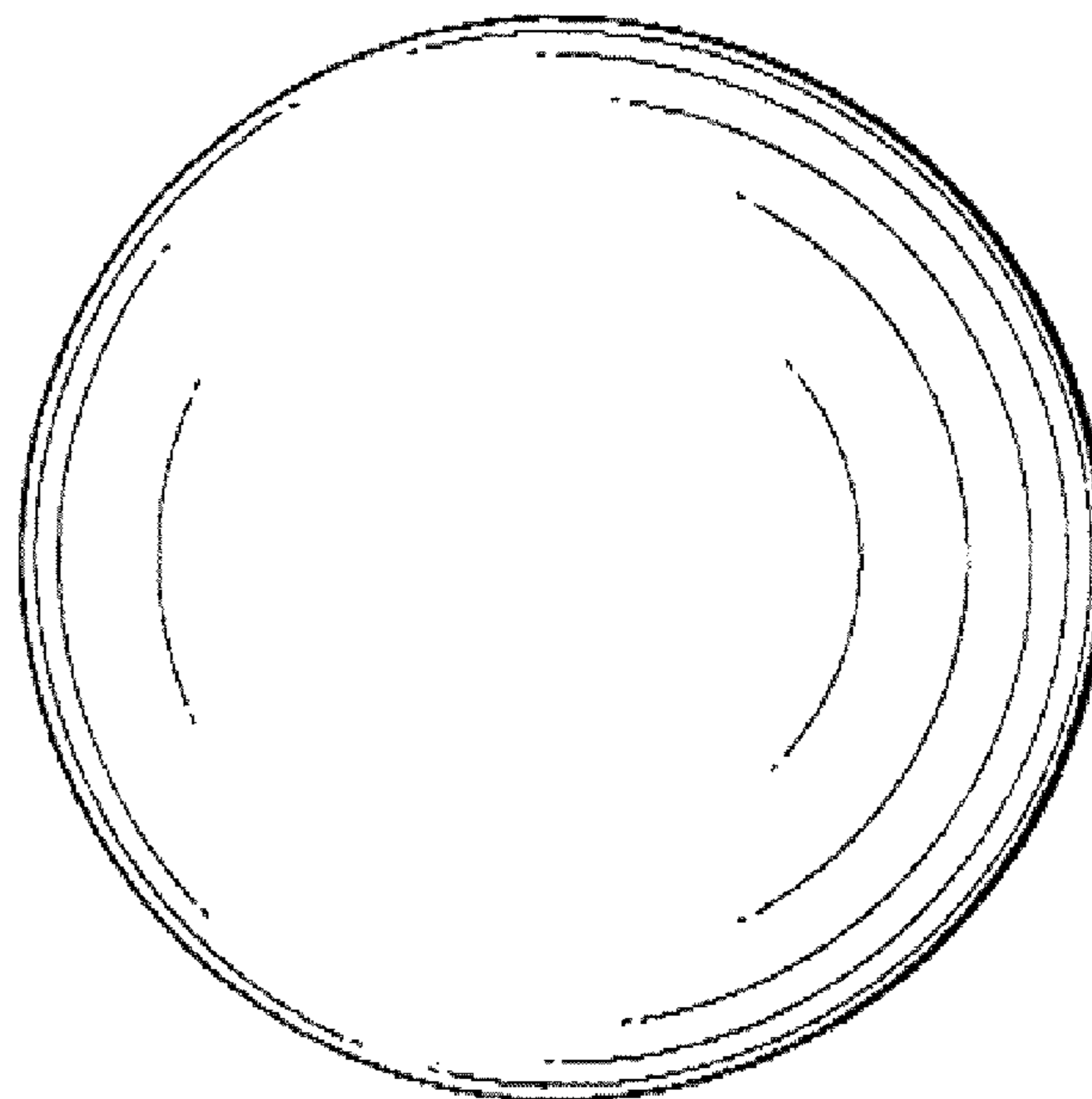


FIG. 5

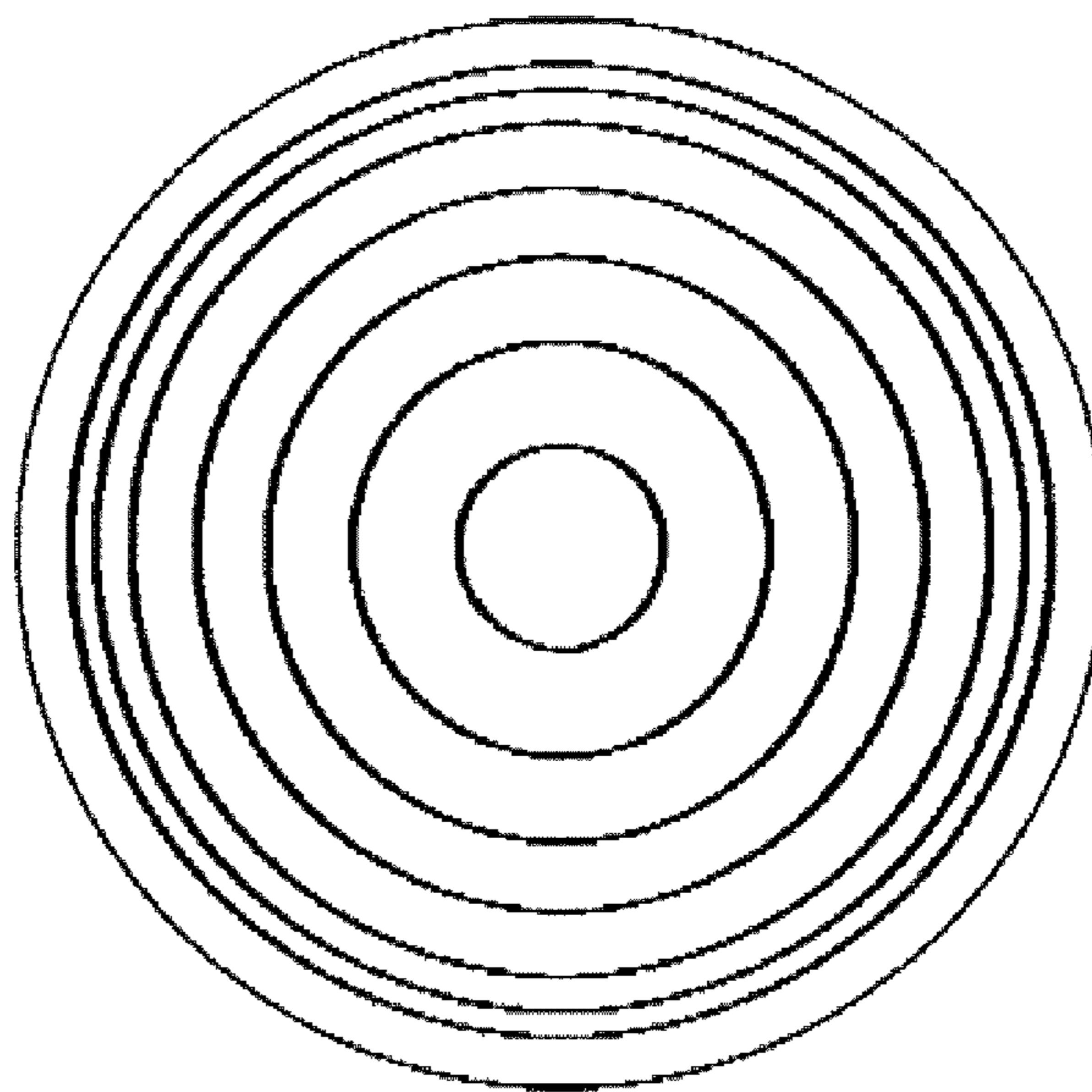


FIG. 6

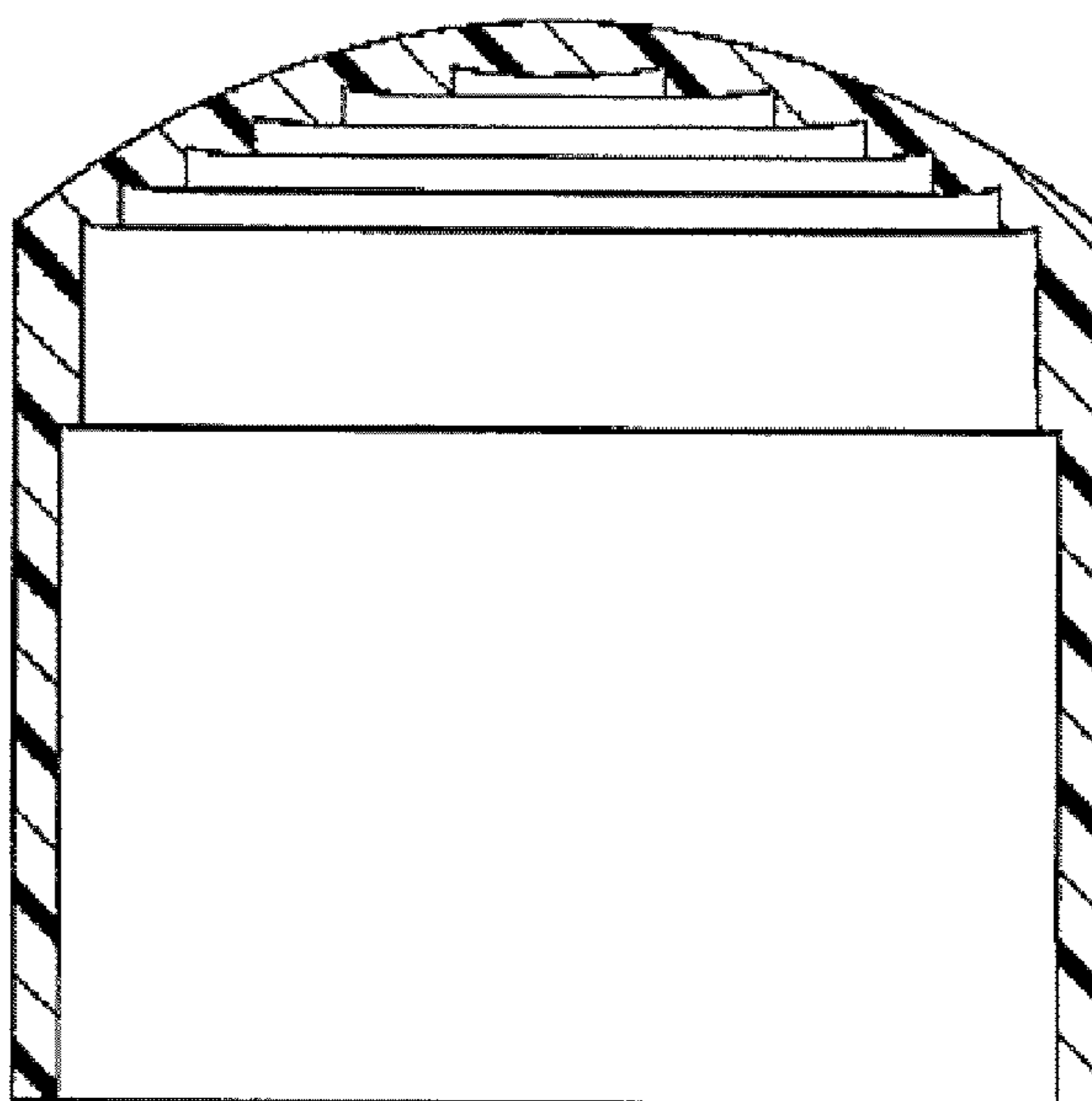


FIG. 7

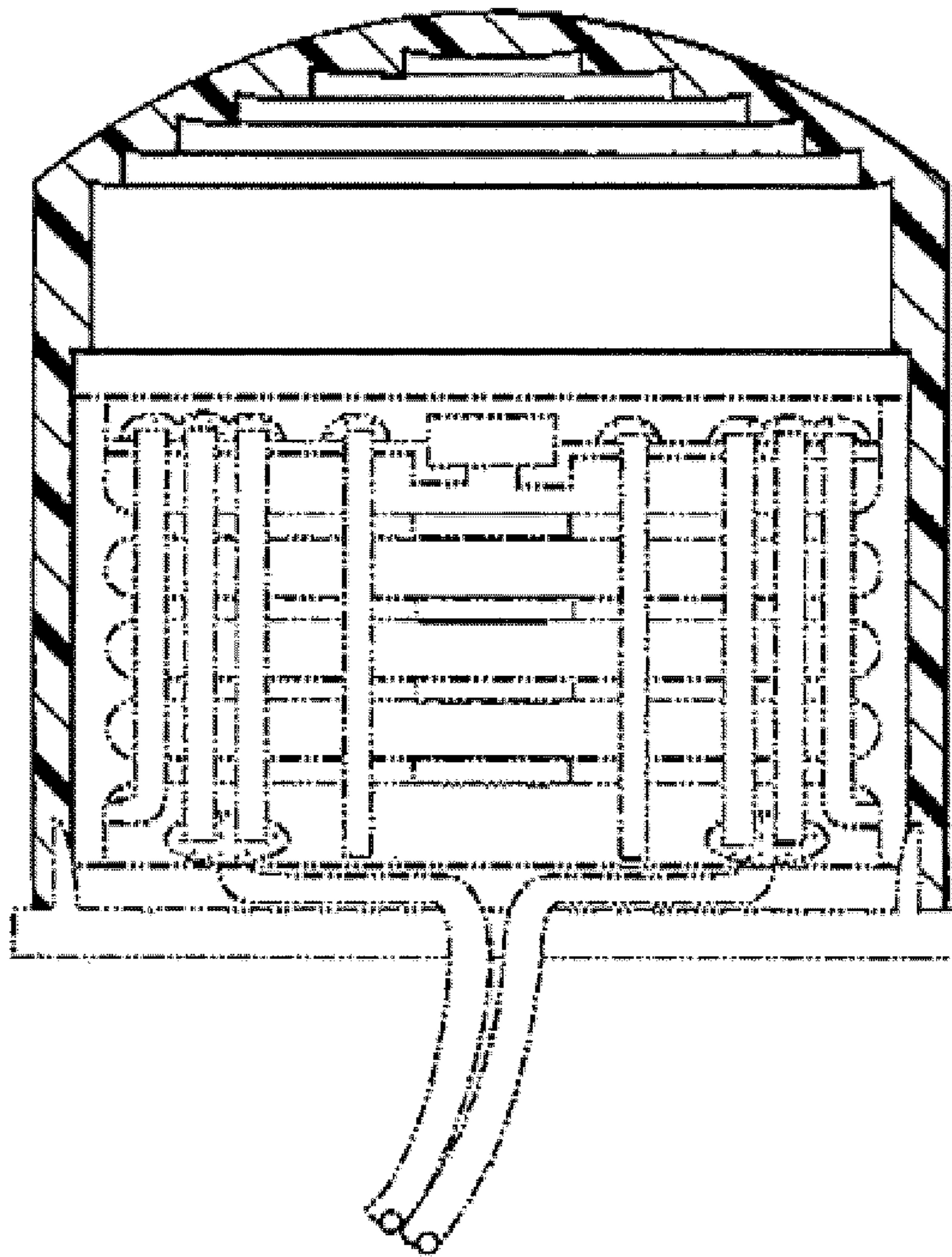


FIG. 8

