



US00D631595S

(12) **United States Design Patent**
Carroll

(10) **Patent No.:** **US D631,595 S**
(45) **Date of Patent:** **** Jan. 25, 2011**

(54) **DETACHABLE RECHARGEABLE INTERIOR DOME LIGHT**

(76) Inventor: **Matthew J. Carroll**, 11402 Hambleton Way, Houston, TX (US) 77065

(**) Term: **14 Years**

(21) Appl. No.: **29/358,385**

(22) Filed: **Mar. 26, 2010**

(51) **LOC (9) Cl.** **26-05**

(52) **U.S. Cl.** **D26/89; D26/85**

(58) **Field of Classification Search** D26/24,
D26/67, 72, 74, 76, 85, 88, 89, 118, 128;
362/147, 294.02, 373, 453, 454, 404-408,
362/432, 490, 493; 40/576

See application file for complete search history.

(56) **References Cited**

U.S. PATENT DOCUMENTS

D51,978	S *	4/1918	Cole	D26/24
4,819,134	A	4/1989	Rossi		
D315,216	S *	3/1991	Kelley et al.	D26/72
5,077,643	A	12/1991	Leach		
D357,087	S *	4/1995	Young	D26/60
D378,438	S *	3/1997	Sliney	D26/72
5,974,710	A *	11/1999	Baldwin	40/576
6,286,976	B1	9/2001	Chopra et al.		
6,398,394	B1	6/2002	Winnik		
6,601,976	B1 *	8/2003	Rhee	362/374
D516,236	S *	2/2006	Yeh	D26/89

7,300,189	B2	11/2007	England et al.		
D559,429	S *	1/2008	Kuo	D26/89
D567,989	S *	4/2008	Goetz-Schaefer	D26/89
7,547,119	B2 *	6/2009	Kuwana et al.	362/294
2010/0014298	A1 *	1/2010	Kim	362/373

* cited by examiner

Primary Examiner—Clare E Heflin

(74) *Attorney, Agent, or Firm*—Crossley Patent Law; Mark A. Crossley

(57) **CLAIM**

The ornamental design for a detachable rechargeable interior dome light, as shown and described.

DESCRIPTION

FIG. 1 is a top plan view of a detachable rechargeable interior dome light showing my new design with a base and detachable portion separated for clarity;

FIG. 2 is a bottom plan view thereof;

FIG. 3 is a right elevation view thereof;

FIG. 4 is a left elevation view thereof;

FIG. 5 is a front elevation thereof;

FIG. 6 is a rear elevation thereof; and,

FIG. 7 is an isometric view thereof.

The broken lines in the drawings depict environmental subject matter only and form no part of the claimed design.

1 Claim, 6 Drawing Sheets

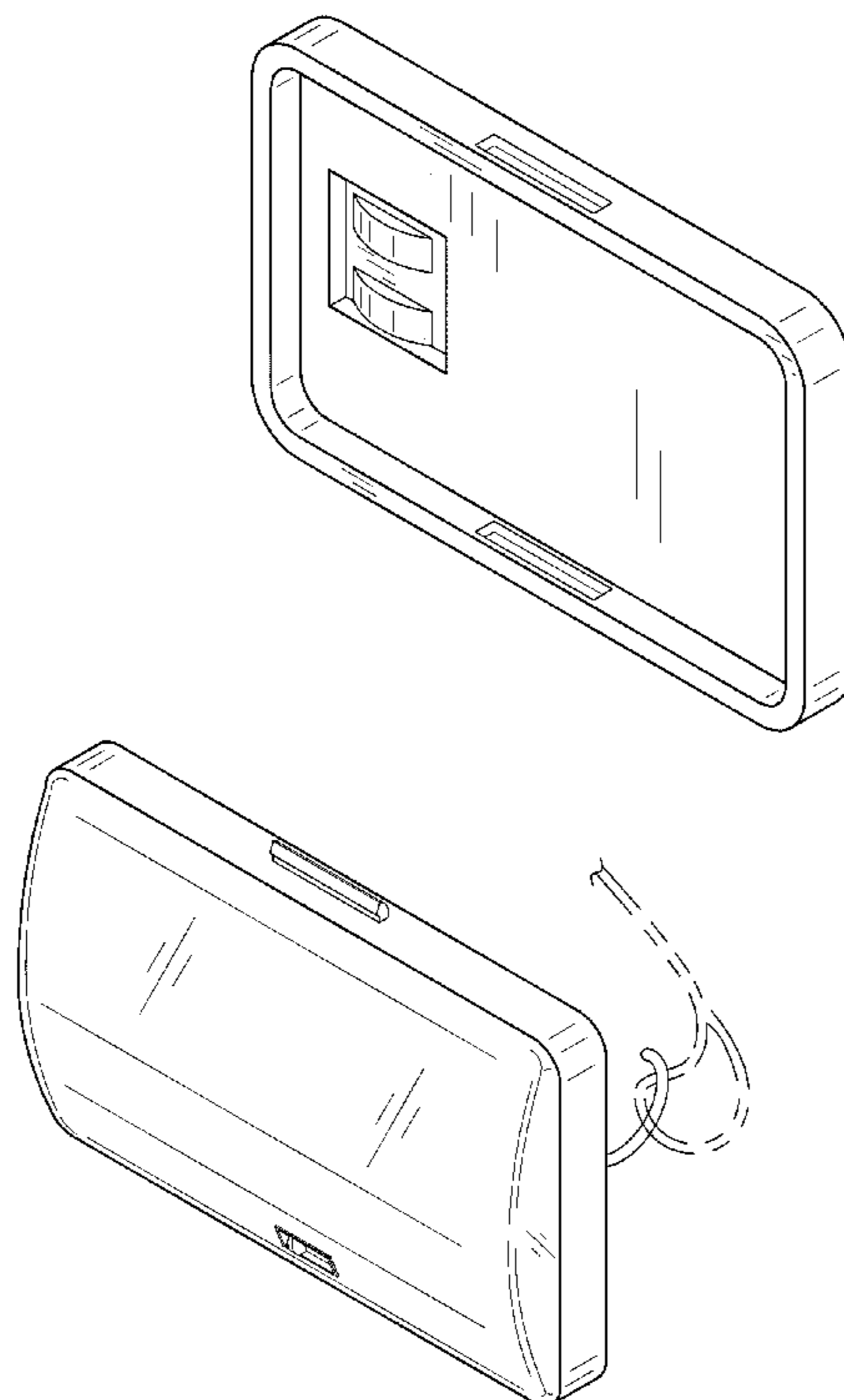


FIG. 1

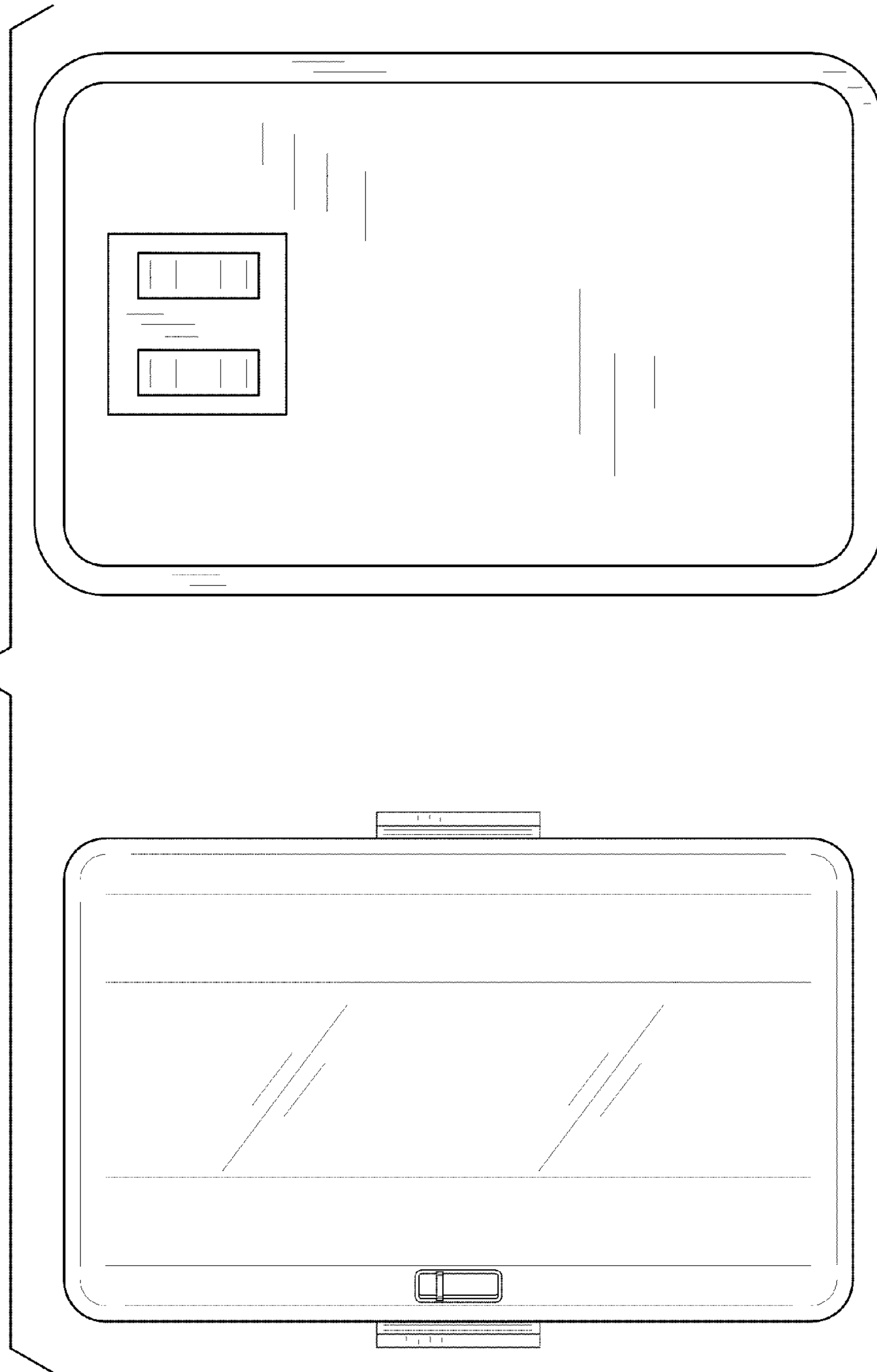


FIG. 2

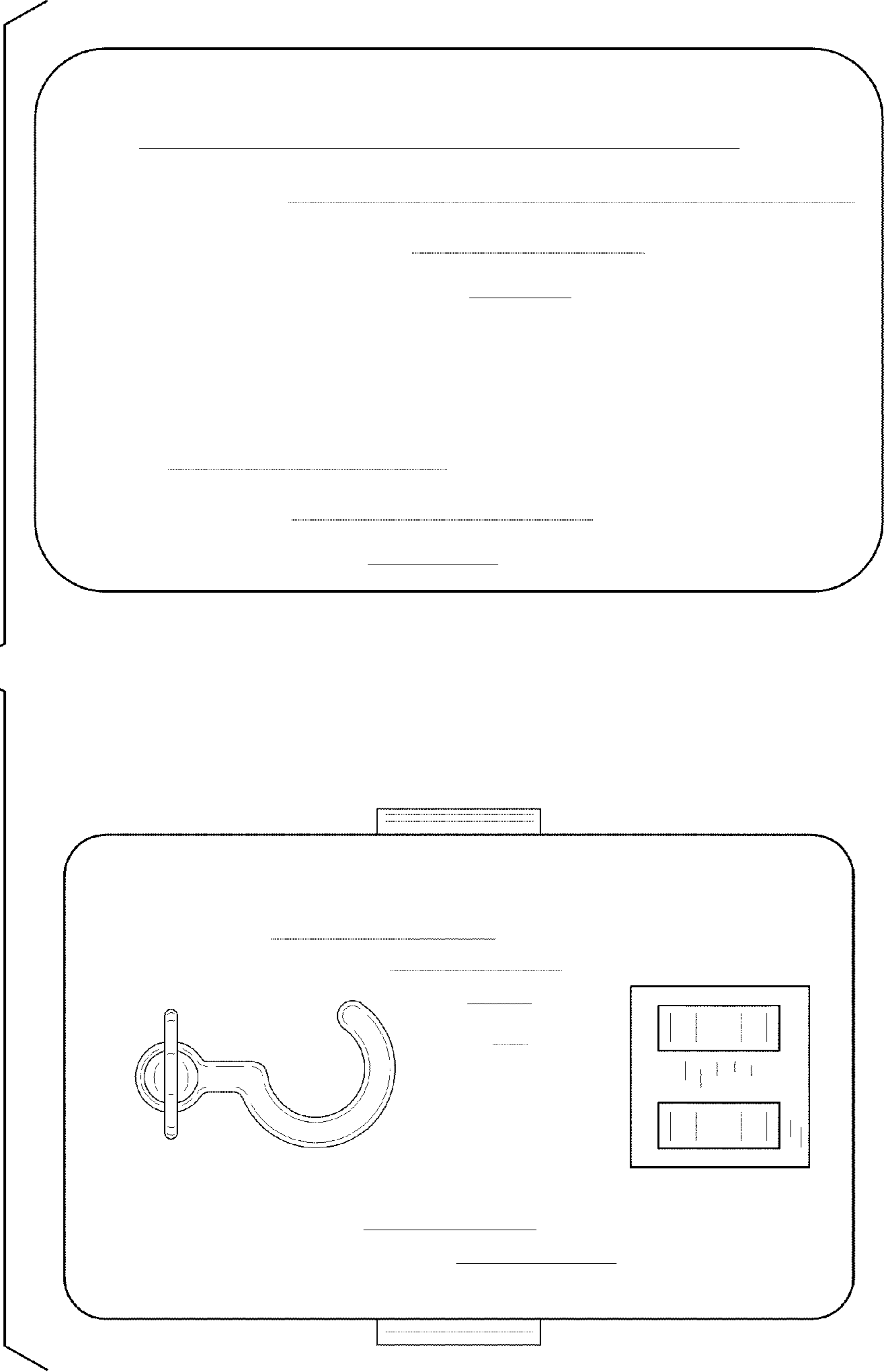


FIG. 3

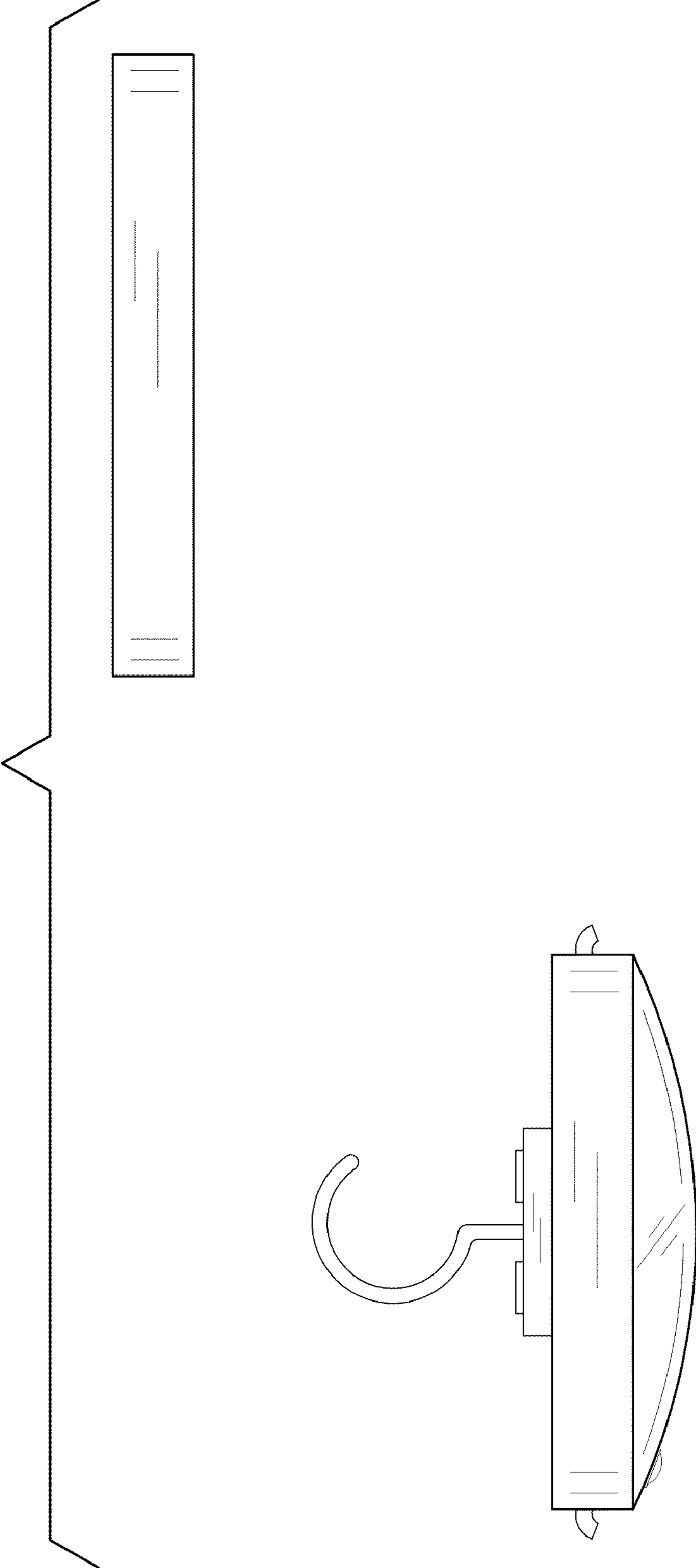


FIG. 4

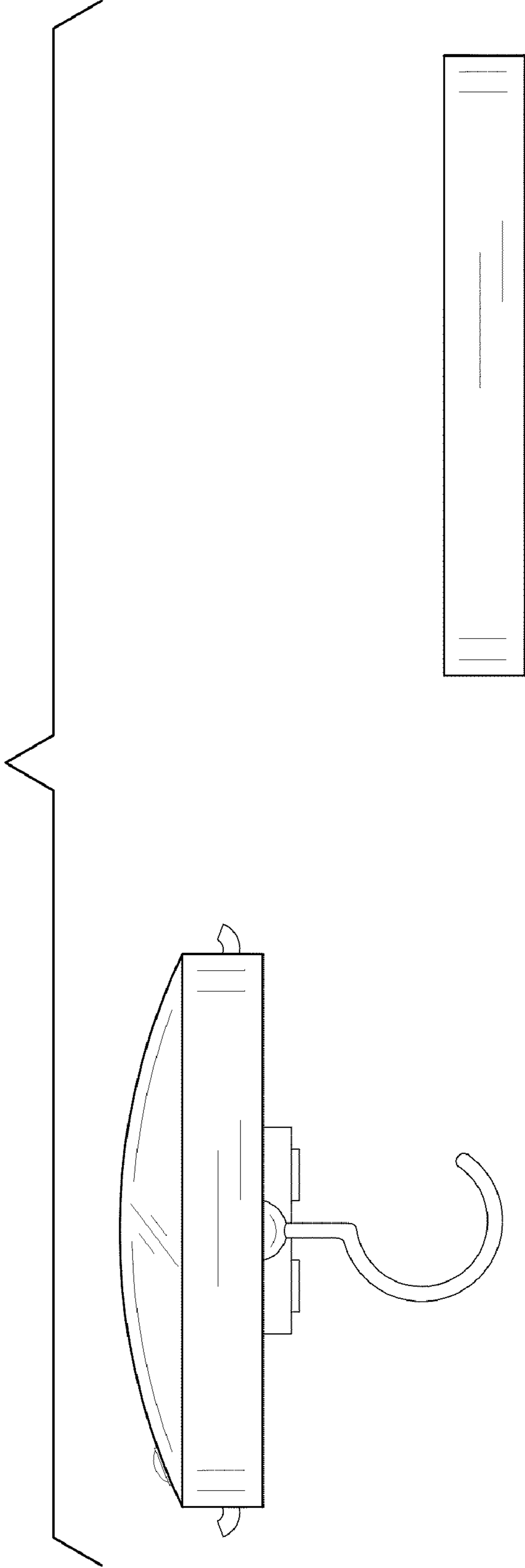


FIG. 5

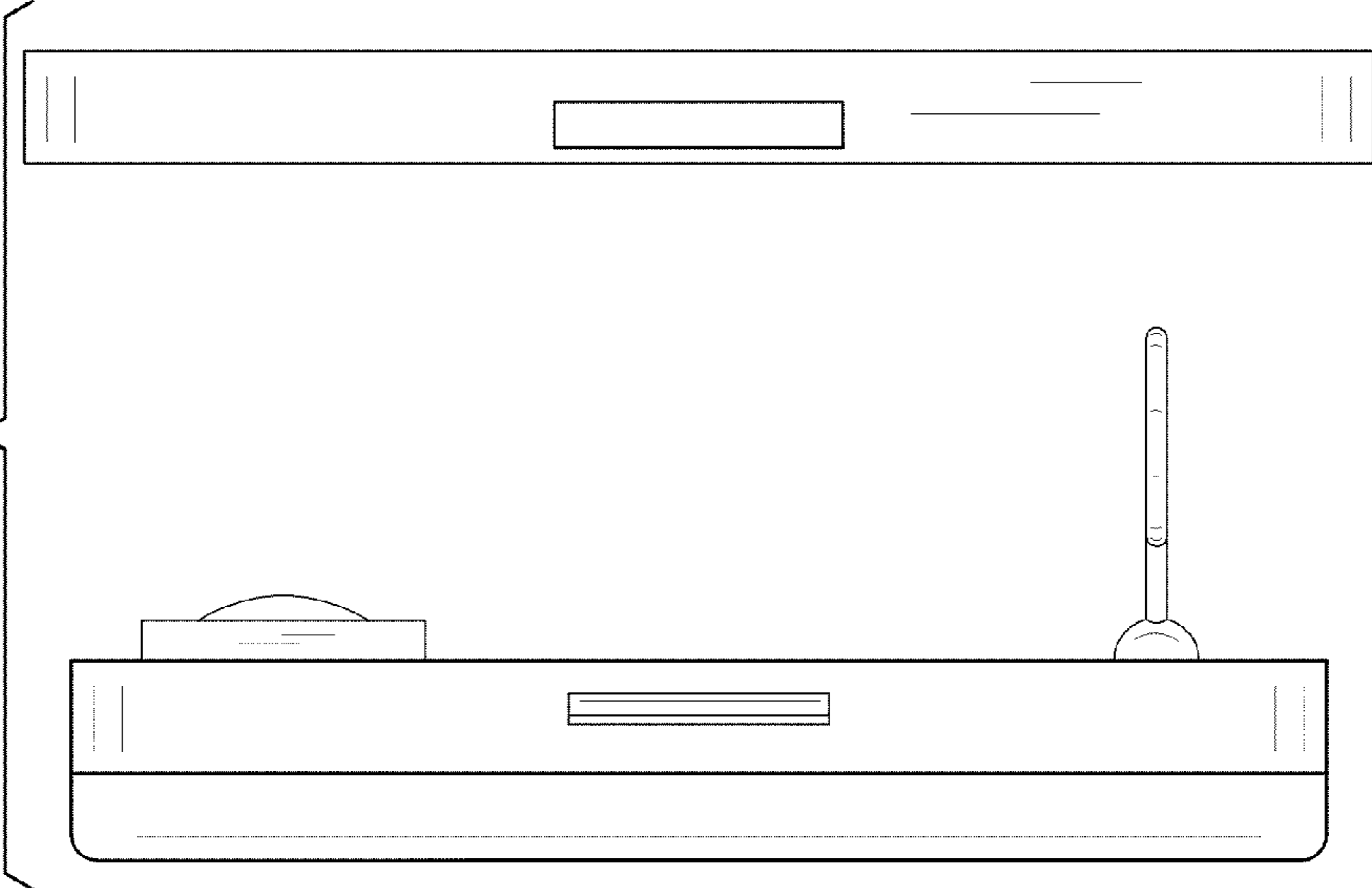
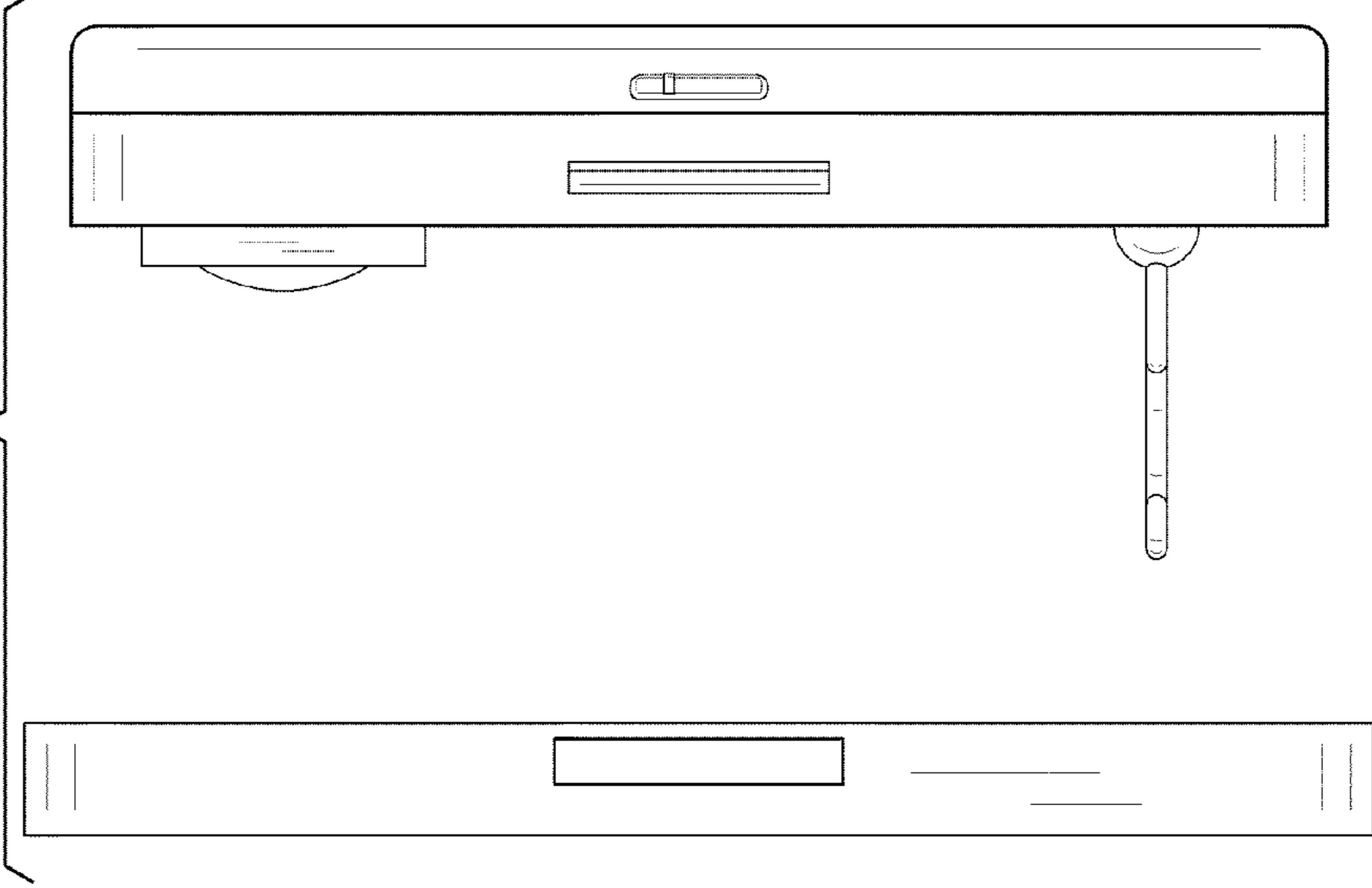


FIG. 6



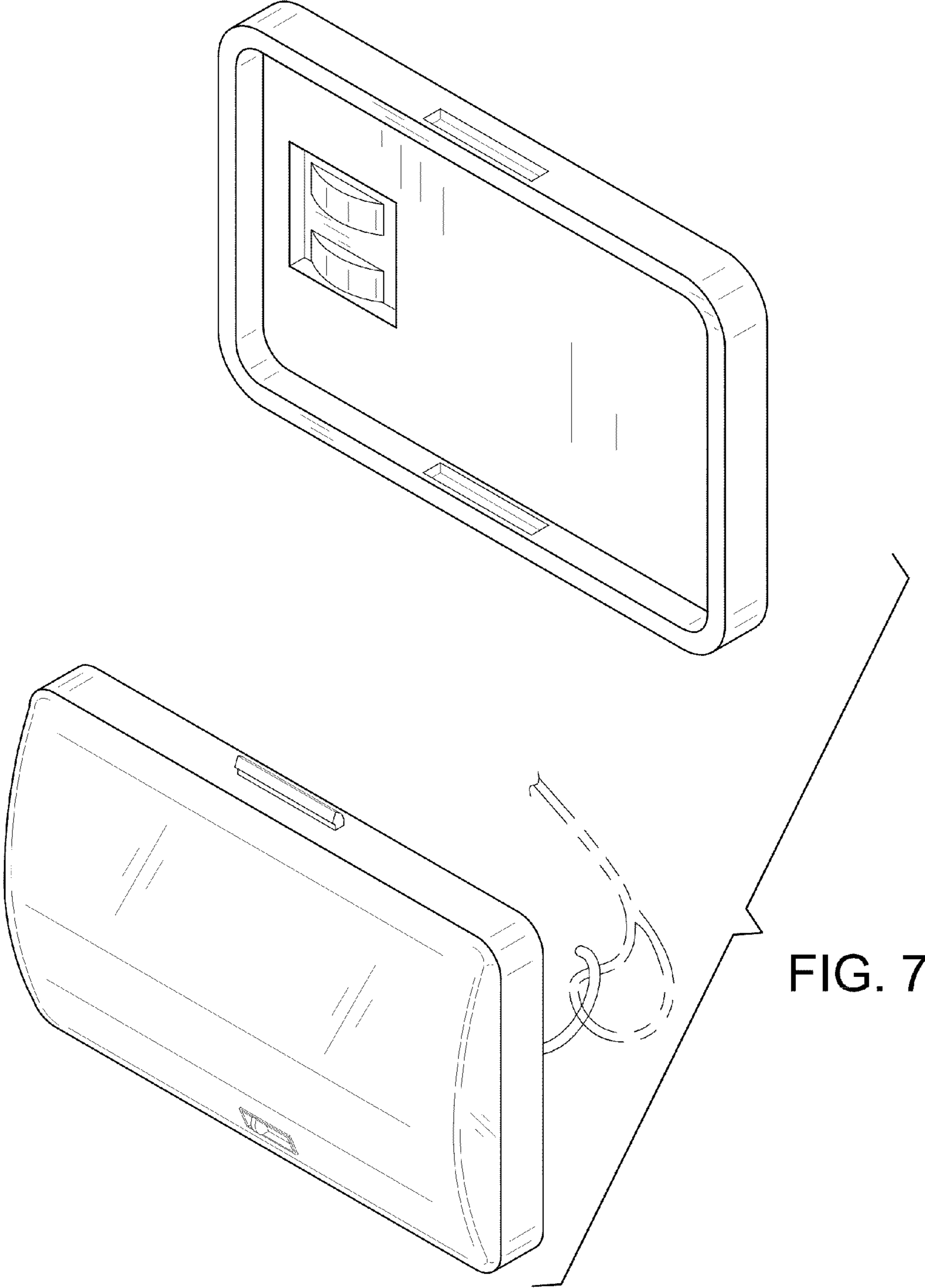


FIG. 7