



US00D631594S

(12) **United States Design Patent**
Irvine

(10) **Patent No.:** **US D631,594 S**
(45) **Date of Patent:** **** Jan. 25, 2011**

(54) **LIGHT**

(75) Inventor: **James Irvine**, Milan (IT)

(73) Assignee: **Zumtobel Lighting GmbH**, Dornbirn (AT)

(**) Term: **14 Years**

(21) Appl. No.: **29/344,581**

(22) Filed: **Sep. 30, 2009**

(30) **Foreign Application Priority Data**

Mar. 30, 2009	(EP)	001 115 109-0001
Mar. 30, 2009	(EP)	001 115 109-0002
Mar. 30, 2009	(EP)	001 115 109-0003
Mar. 30, 2009	(EP)	001 115 109-0004
Mar. 30, 2009	(EP)	001 115 109-0005
Mar. 30, 2009	(EP)	001 115 109-0006

(51) **LOC (9) Cl.** **26-05**

(52) **U.S. Cl.** **D26/74**

(58) **Field of Classification Search** D26/72,
D26/74, 75, 76, 77, 78, 79, 80, 81, 82, 83,
D26/84, 85, 86, 88, 89, 90, 91, 1, 2, 3, 24,
D26/56; D13/180, 182; 362/555, 576, 147,
362/150, 217.01, 219, 217.02, 217.03, 217.04,
362/217.05, 217.08, 217.09, 260, 364, 365,
362/366, 404, 800

See application file for complete search history.

(56) **References Cited**

U.S. PATENT DOCUMENTS

D195,012 S * 4/1963 Hoyle D23/388

(Continued)

Primary Examiner—Angela J Lee

(74) *Attorney, Agent, or Firm*—Christensen O'Connor Johnson Kindness PLLC

(57) **CLAIM**

The ornamental design for a light, as shown and described.

DESCRIPTION

FIG. 1 is a bottom isometric view of a light according to a first embodiment of my new design;

FIG. 2 is a bottom plan view thereof;

FIG. 3 is a top plan view thereof;

FIG. 4 is a side elevation view thereof;

FIG. 5 is another side elevation view thereof;

FIG. 6 is another side elevation view thereof; and

FIG. 7 is another side elevation view thereof.

FIG. 8 is a bottom isometric view of a light according to a second embodiment of my new design;

FIG. 9 is a bottom plan view thereof;

FIG. 10 is a top plan view thereof;

FIG. 11 is a side elevation view thereof;

FIG. 12 is another side elevation view thereof;

FIG. 13 is another side elevation view thereof; and

FIG. 14 is another side elevation view thereof.

FIG. 15 is a bottom isometric view of a light according to a third embodiment of my new design;

FIG. 16 is a bottom plan view thereof;

FIG. 17 is a top plan view thereof;

FIG. 18 is a side elevation view thereof;

FIG. 19 is another side elevation view thereof;

FIG. 20 is another side elevation view thereof; and

FIG. 21 is another side elevation view thereof.

FIG. 22 is a bottom isometric view of a light according to a fourth embodiment of my new design;

FIG. 23 is a bottom plan view thereof;

FIG. 24 is a top plan view thereof;

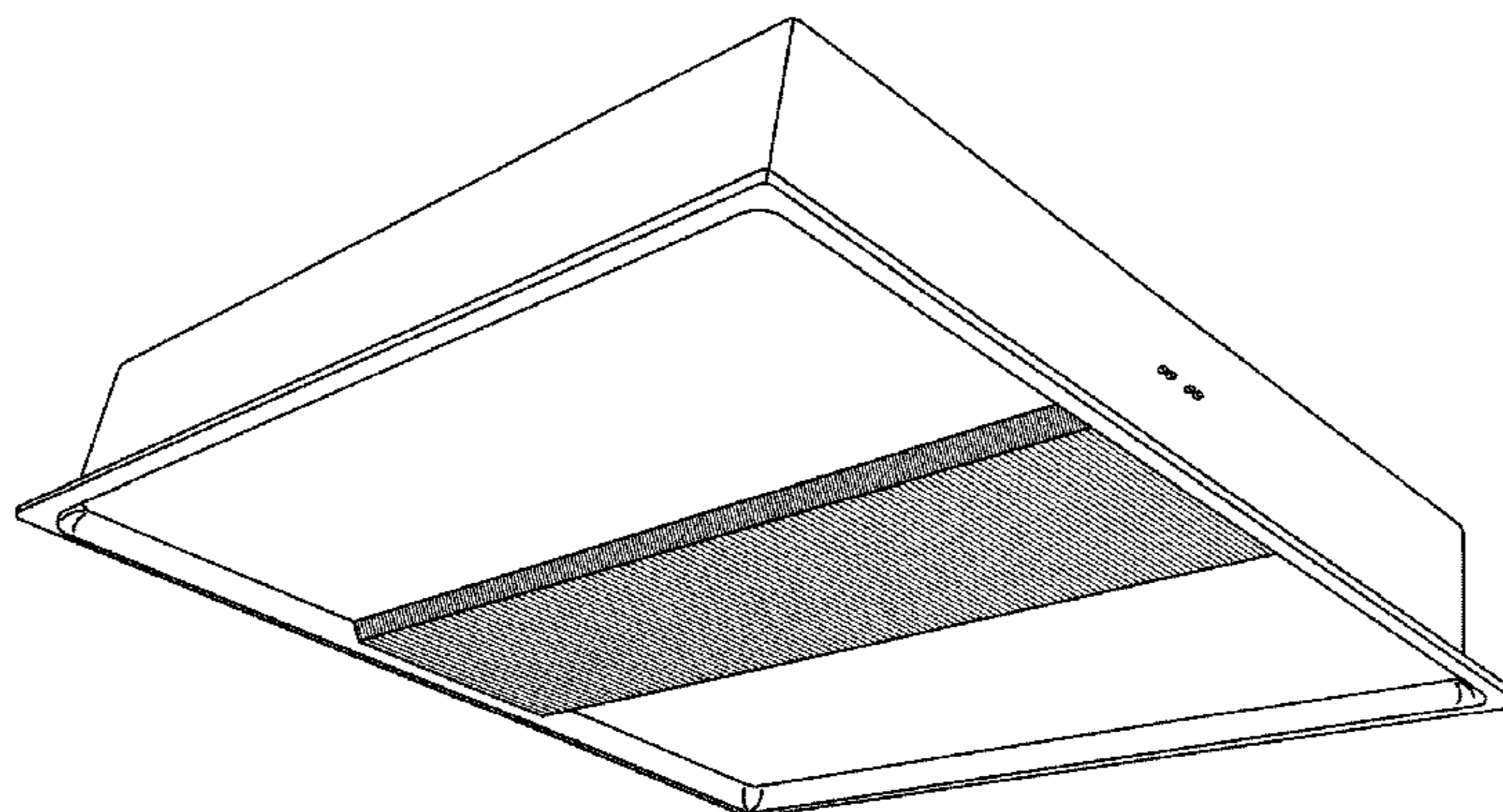
FIG. 25 is a side elevation view thereof;

FIG. 26 is another side elevation view thereof;

FIG. 27 is another side elevation view thereof; and,

FIG. 28 is another side elevation view thereof.

1 Claim, 16 Drawing Sheets



US D631,594 S

Page 2

U.S. PATENT DOCUMENTS

D201,544 S *	7/1965	Brooks	D25/56	D579,598 S *	10/2008	Santoro	D26/76
D320,283 S *	9/1991	Burkath	D26/121	D602,625 S *	10/2009	Santoro	D26/76
D427,706 S *	7/2000	Irvine	D26/76	D604,002 S *	11/2009	Santoro	D26/76
D428,508 S *	7/2000	Irvine	D26/76	D604,884 S *	11/2009	Moritz	D26/76
D441,117 S *	4/2001	Grimm	D26/76	2004/0184264 A1 *	9/2004	Elam et al.	362/148
D477,891 S *	7/2003	Fritze et al.	D26/74					

* cited by examiner

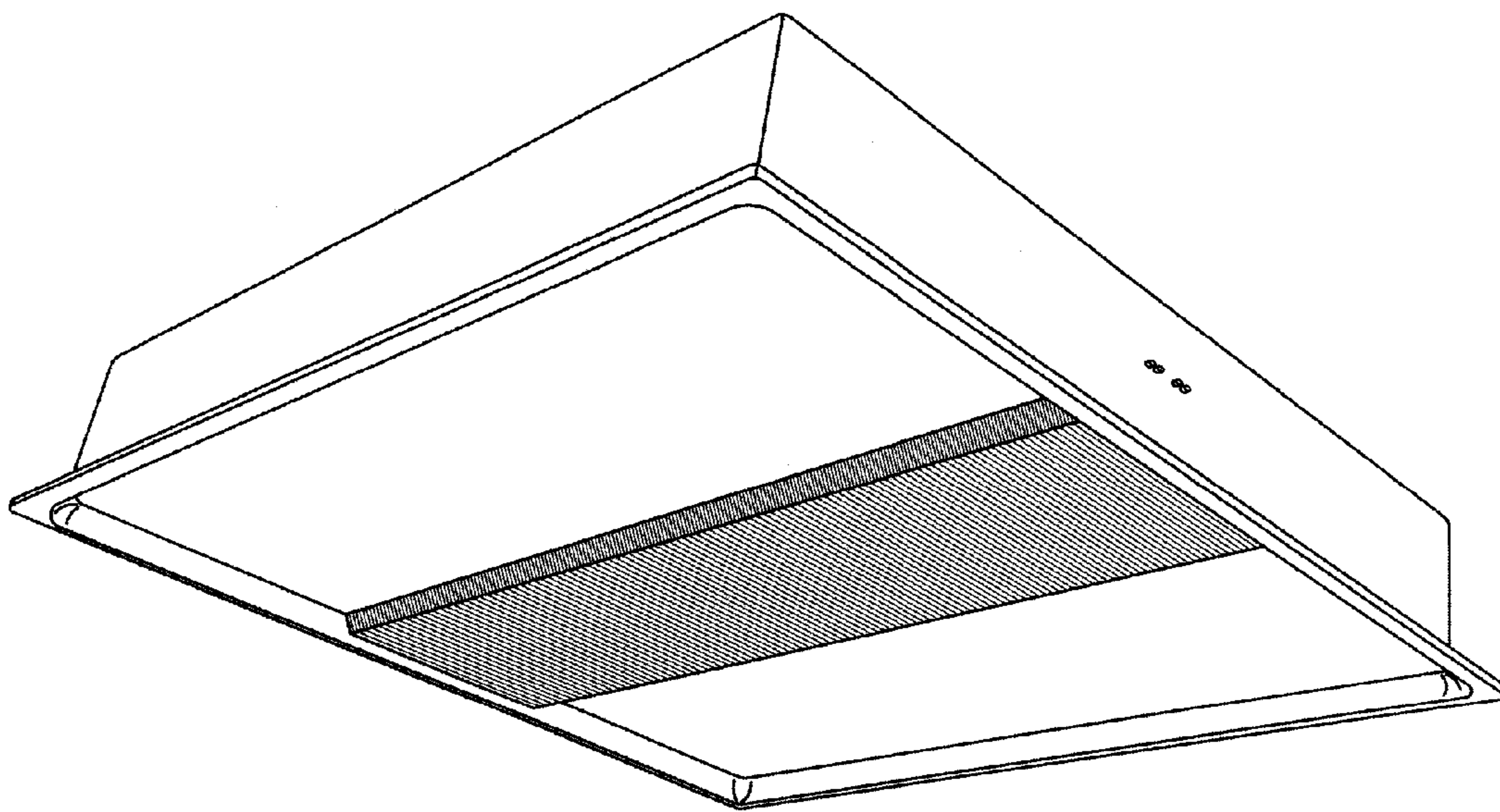


Fig. 1

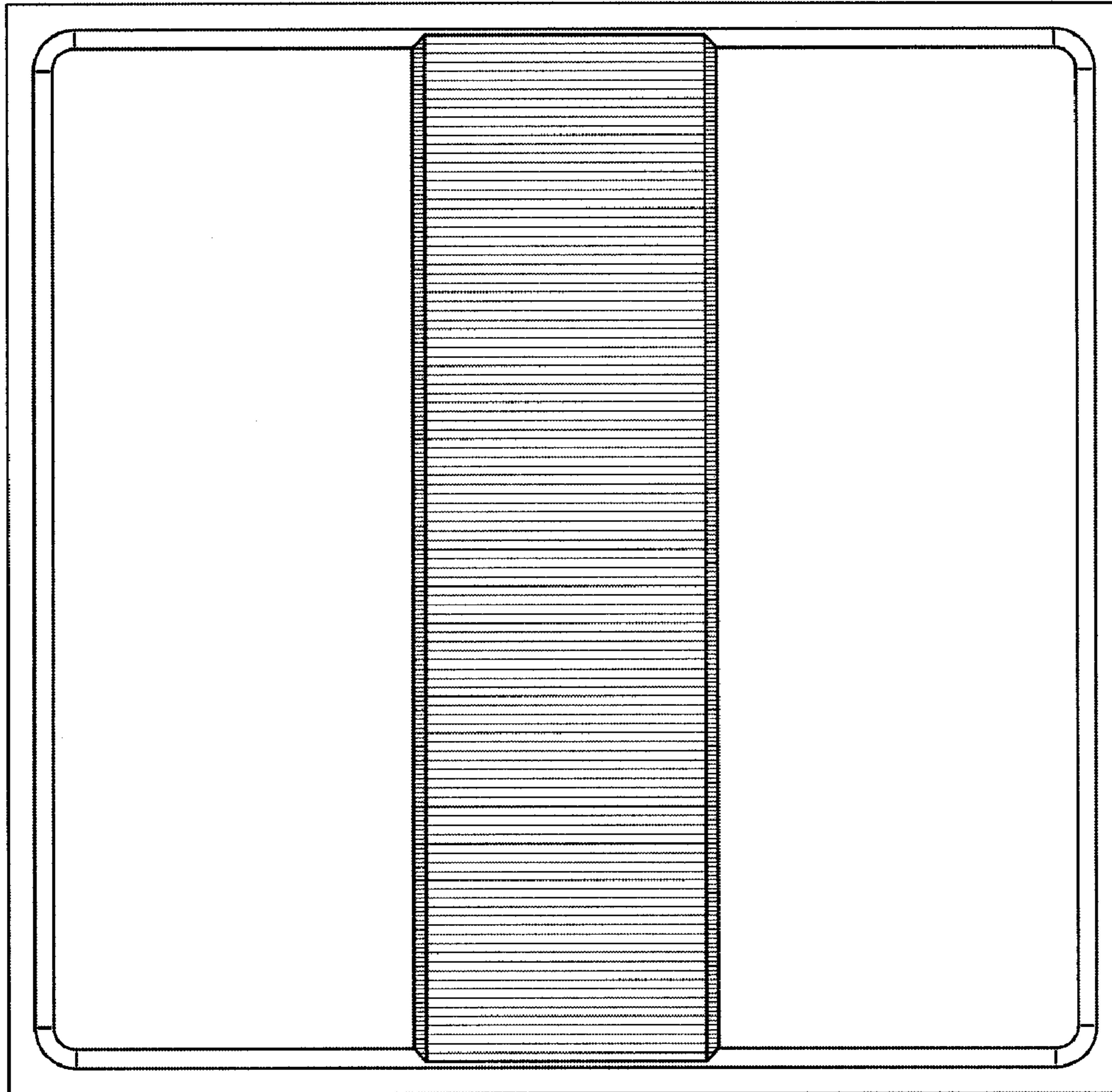


Fig. 2

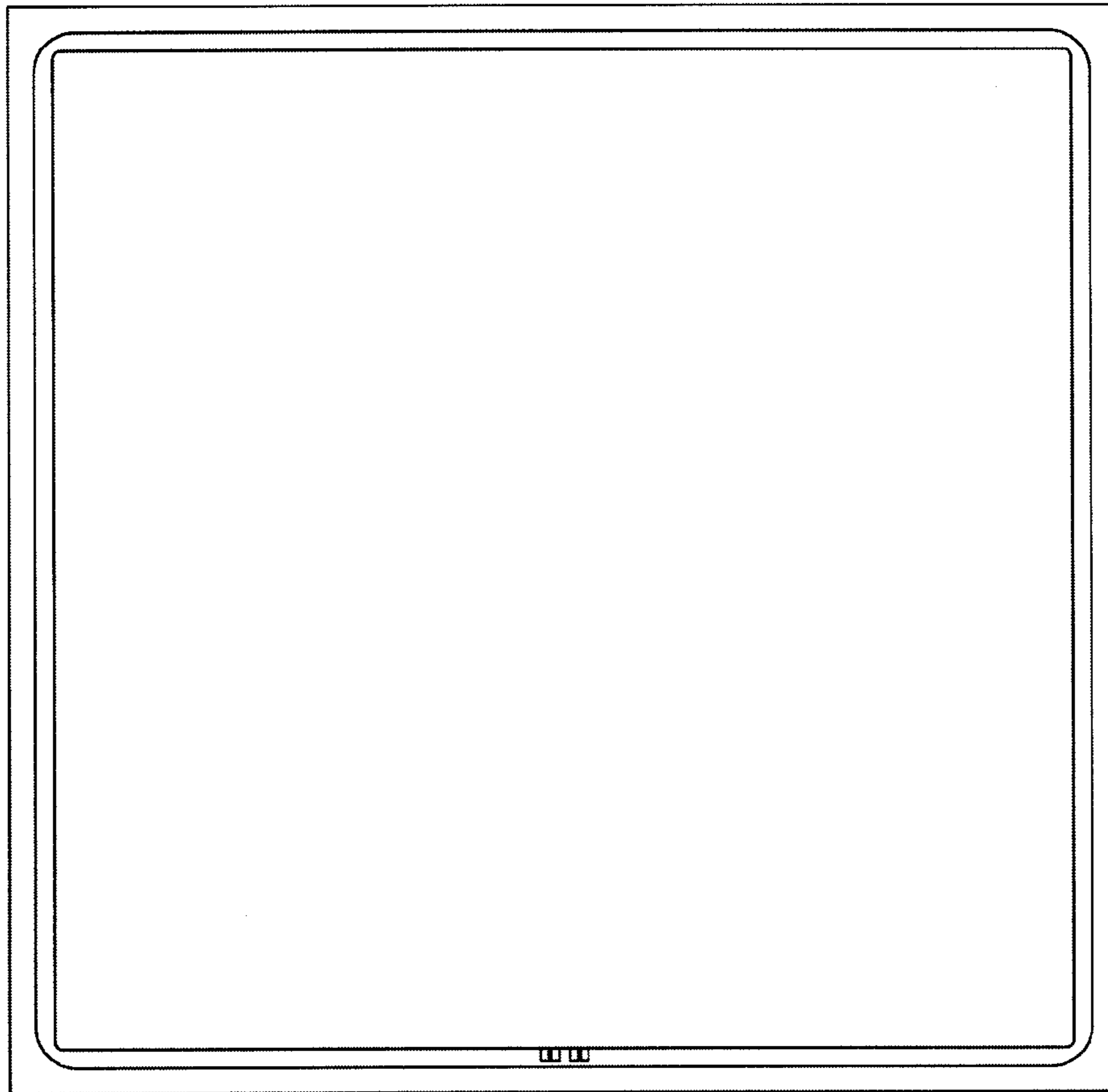


Fig. 3

Fig. 4

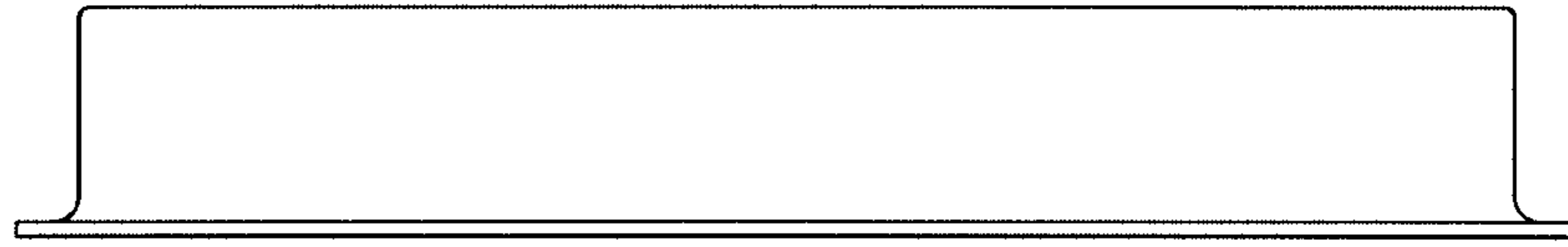


Fig. 5

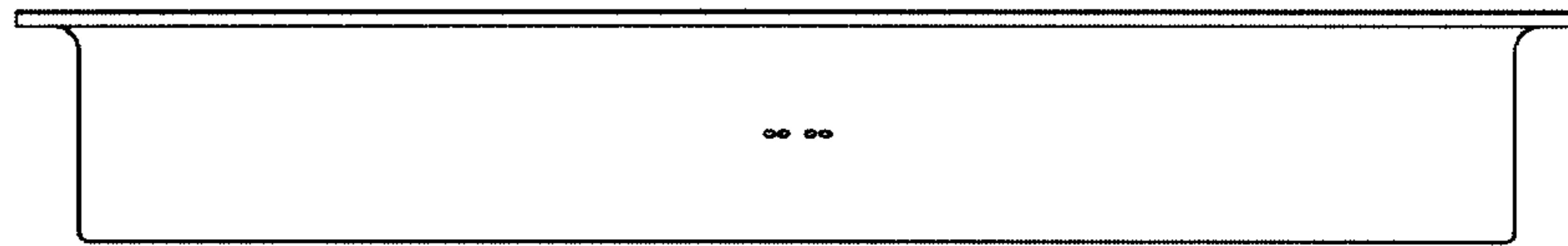


Fig. 6

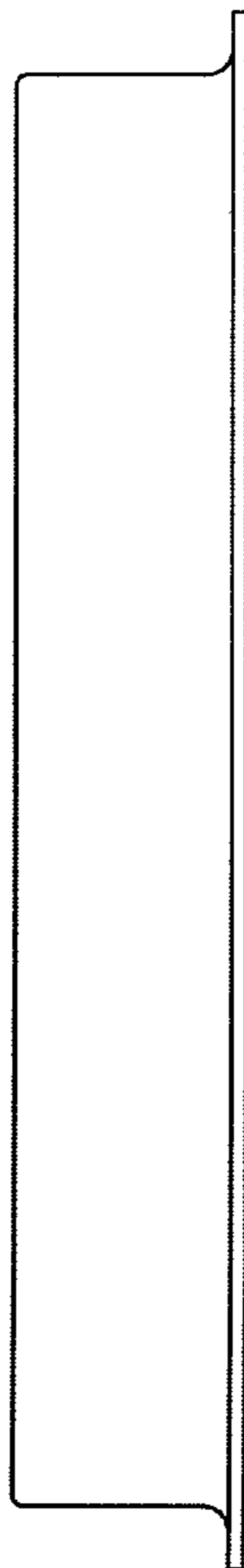
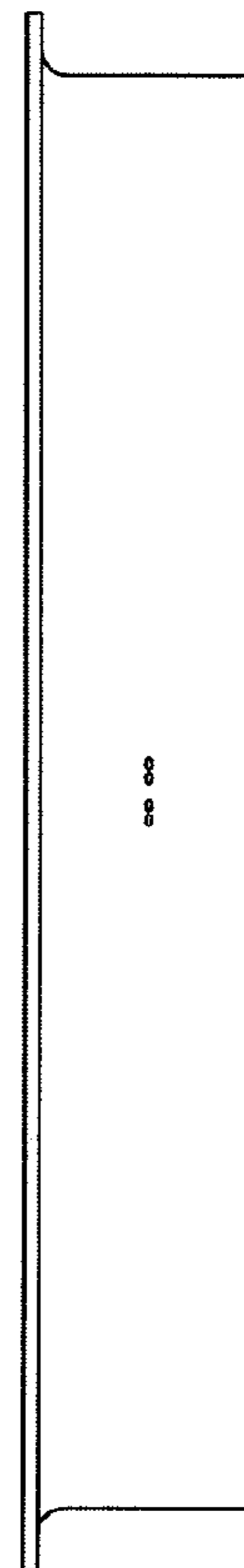


Fig. 7



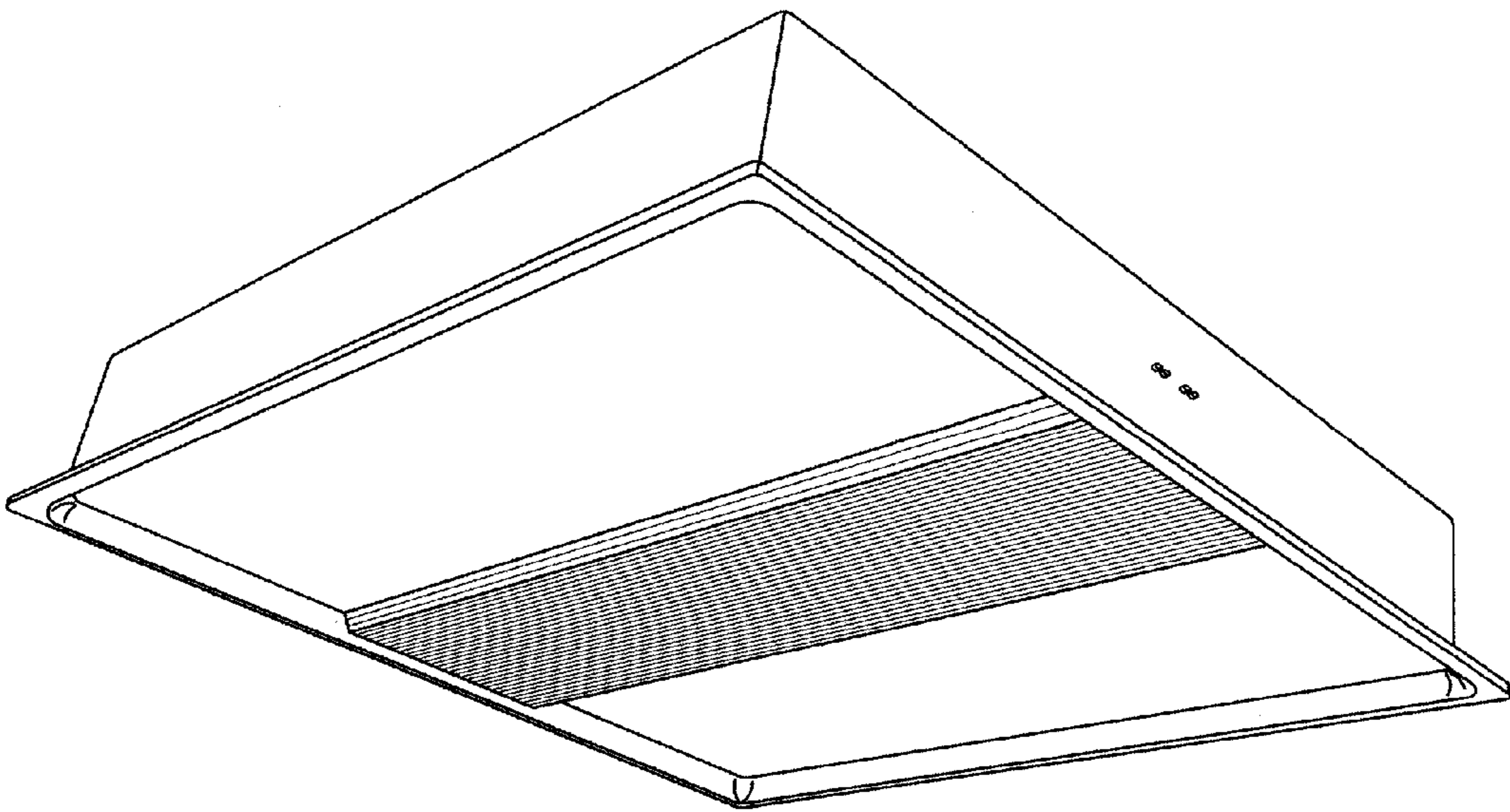


Fig. 8

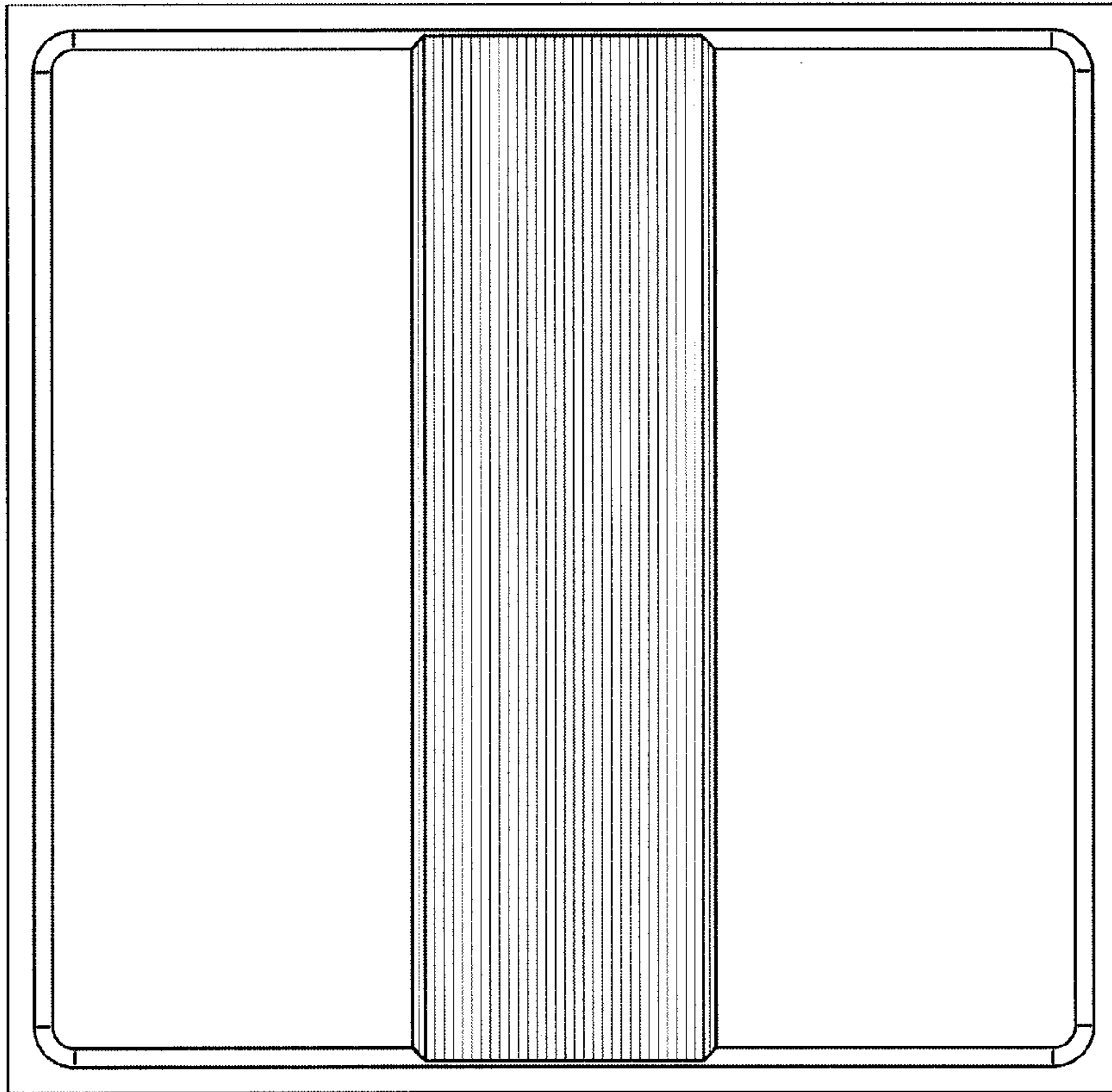


Fig. 9

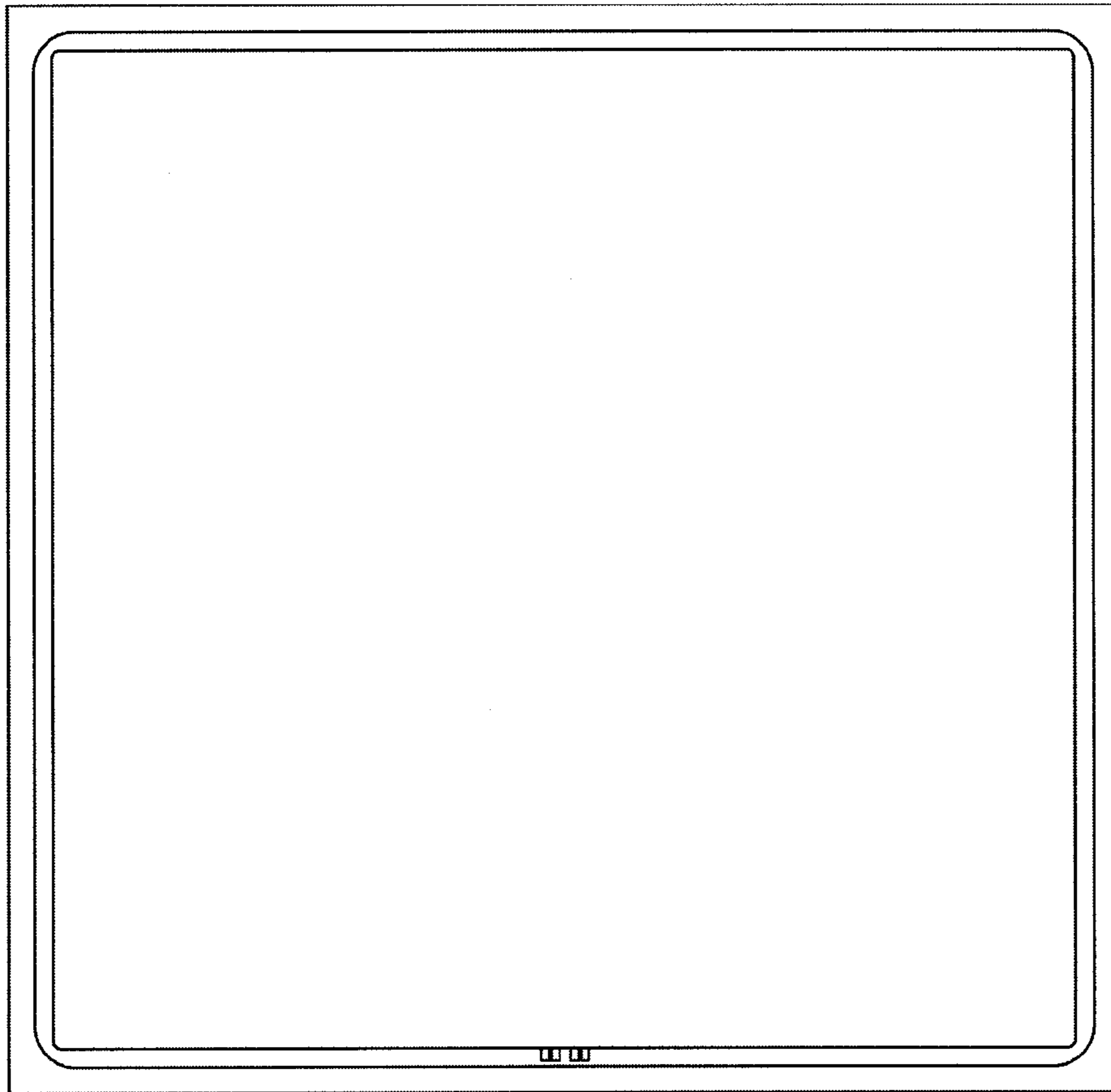


Fig. 10

Fig. 11



Fig. 12

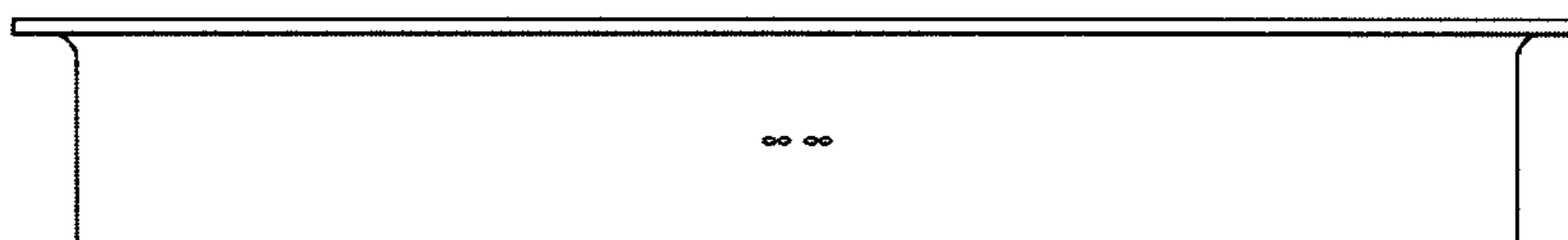


Fig. 13

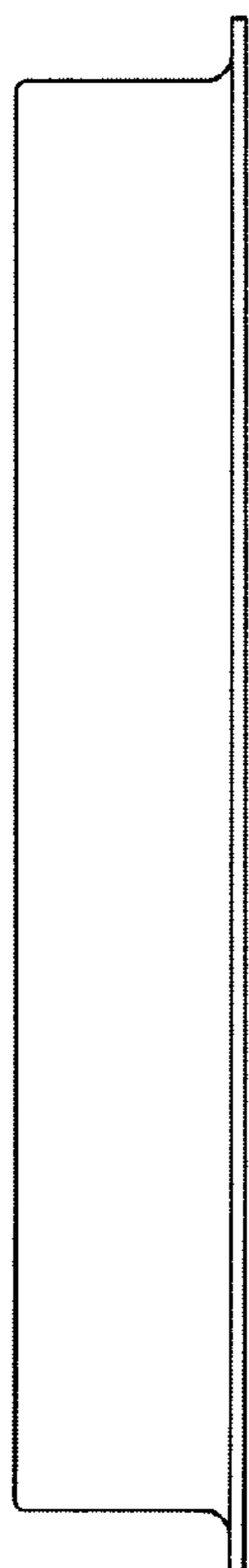
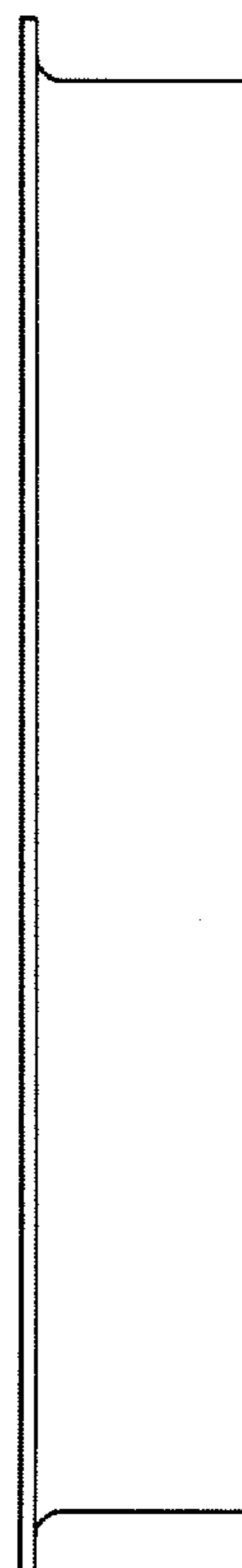


Fig. 14



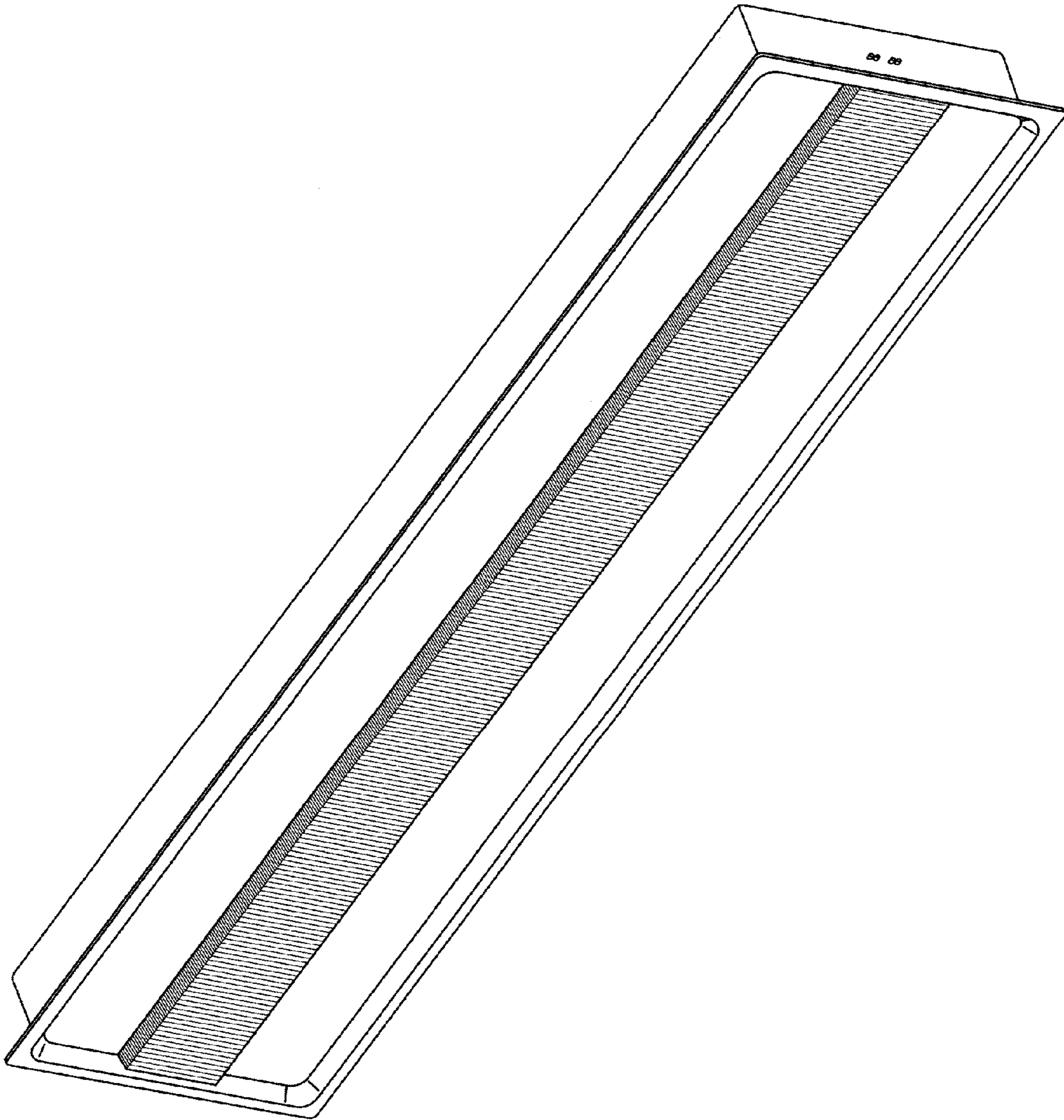


Fig. 15

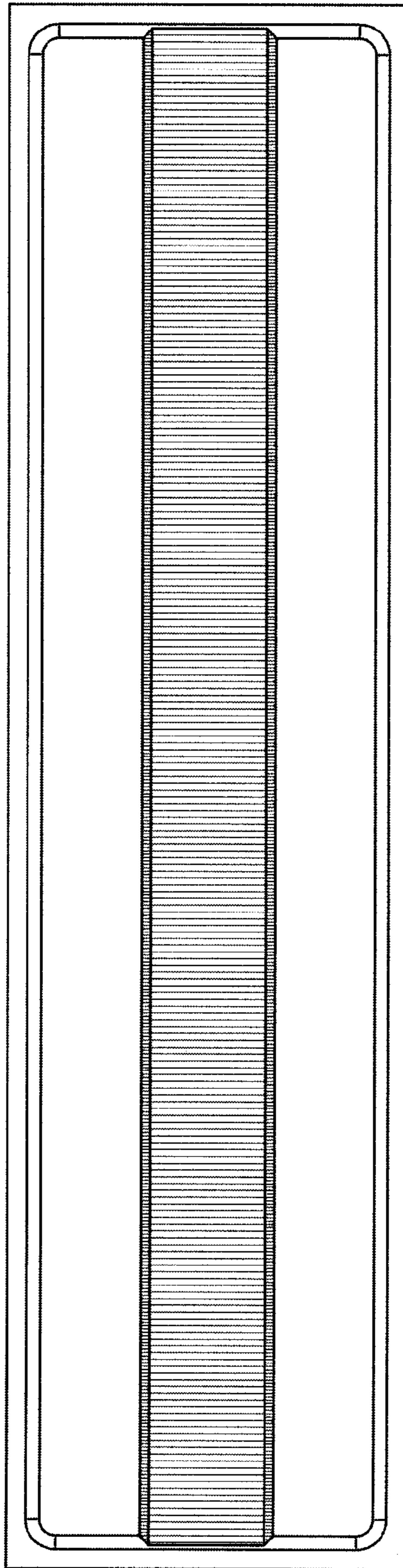


Fig. 16

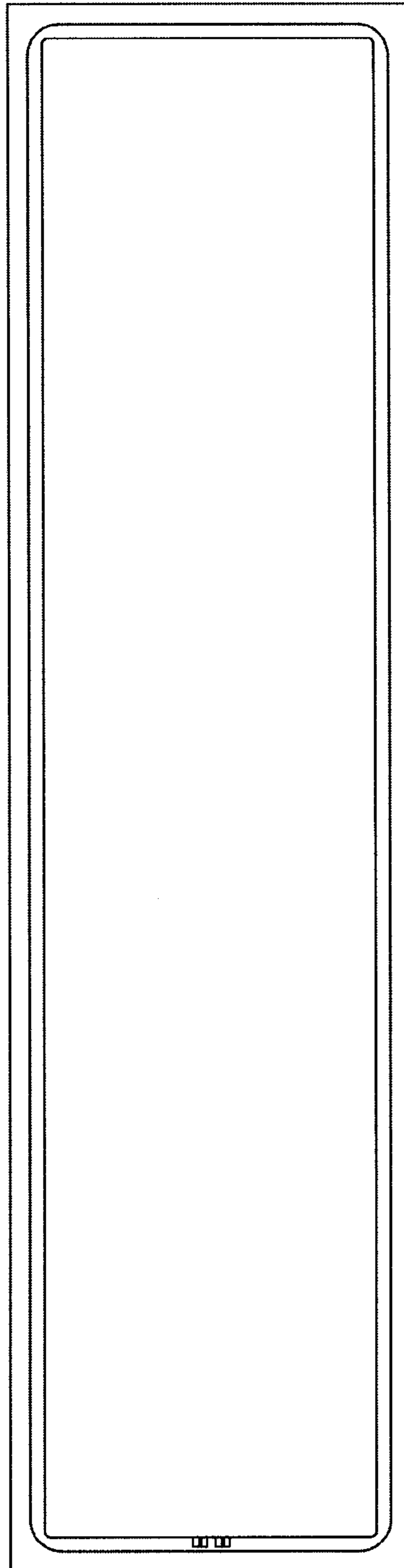


Fig. 17

Fig. 18

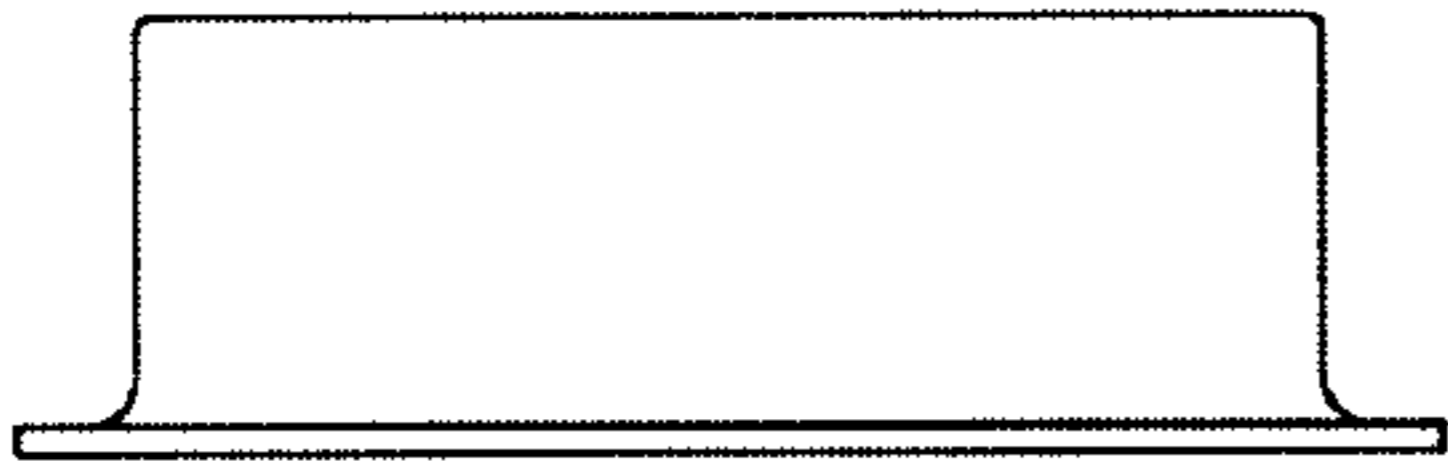


Fig. 19

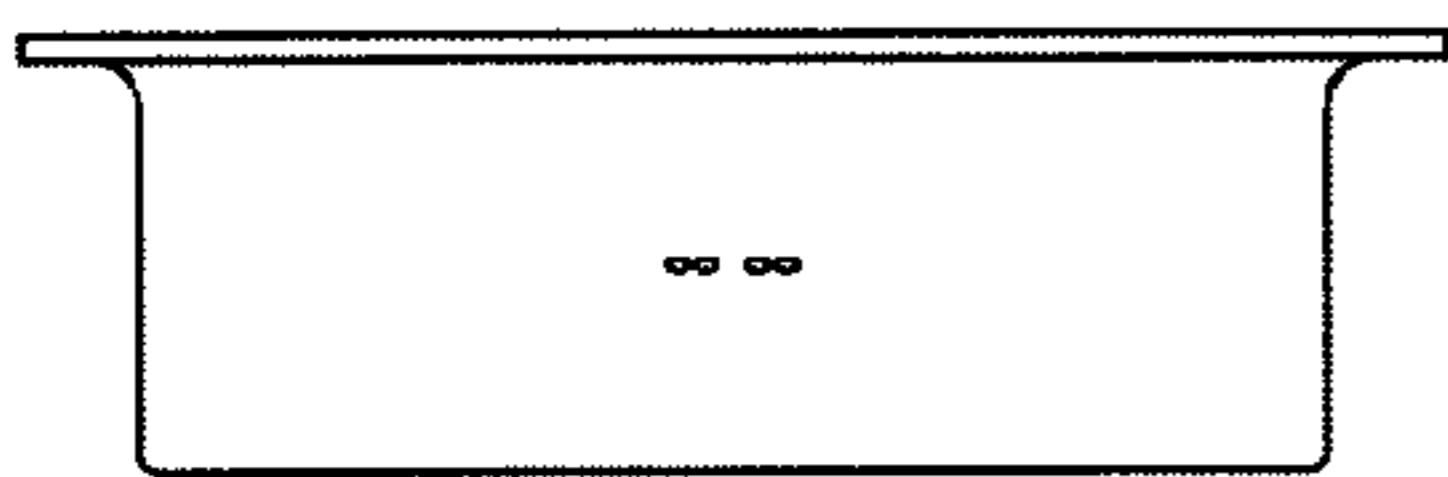


Fig. 20

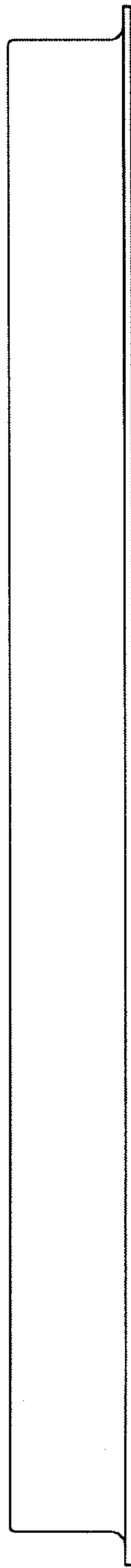
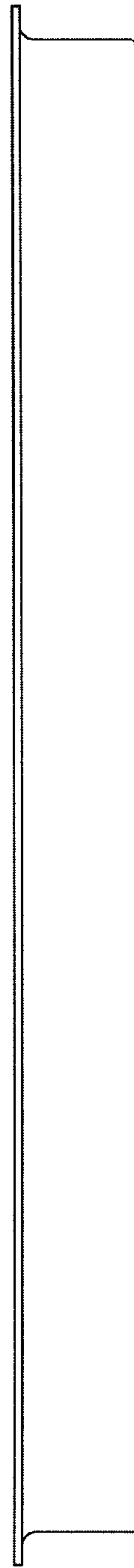


Fig. 21



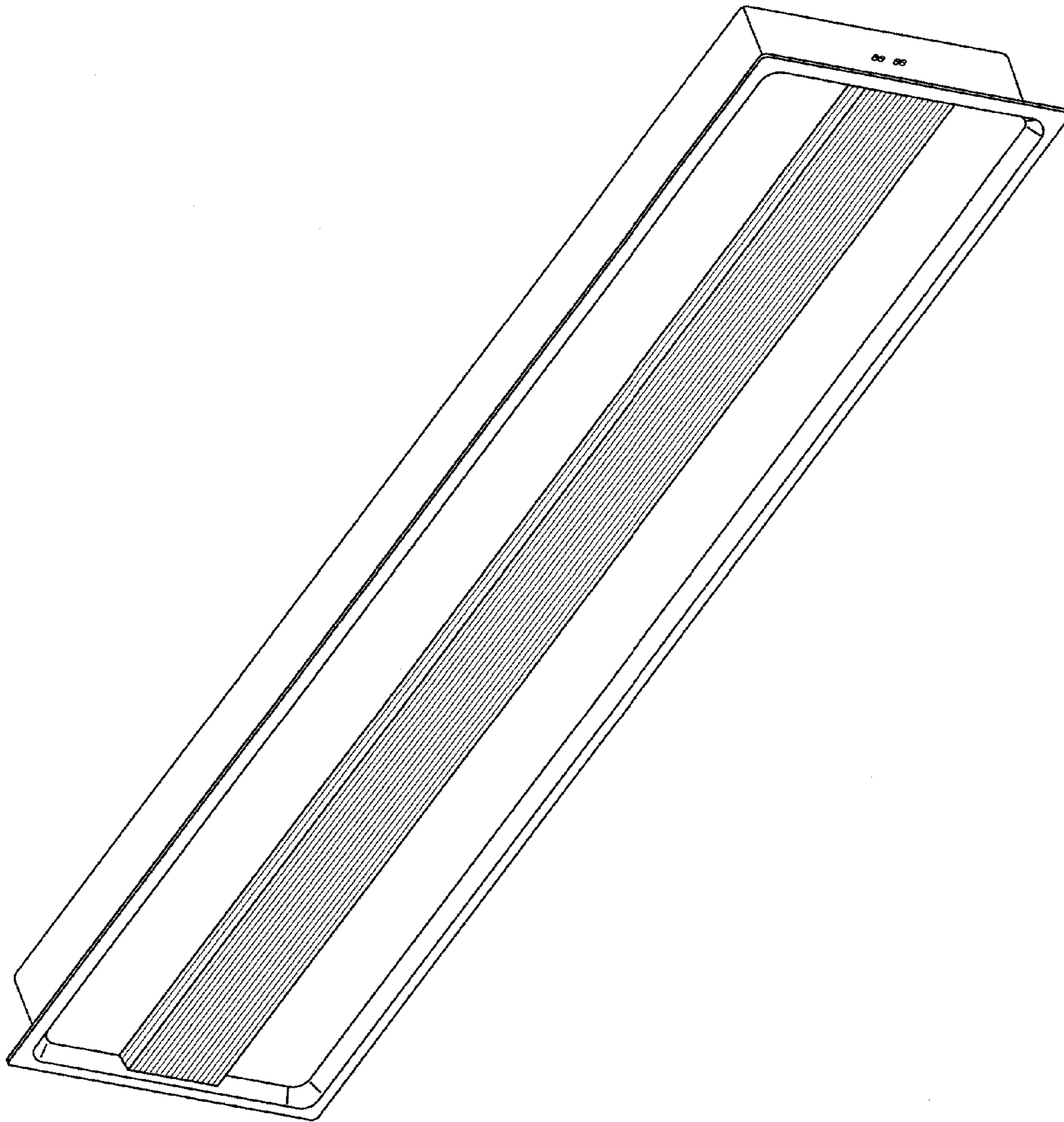


Fig. 22

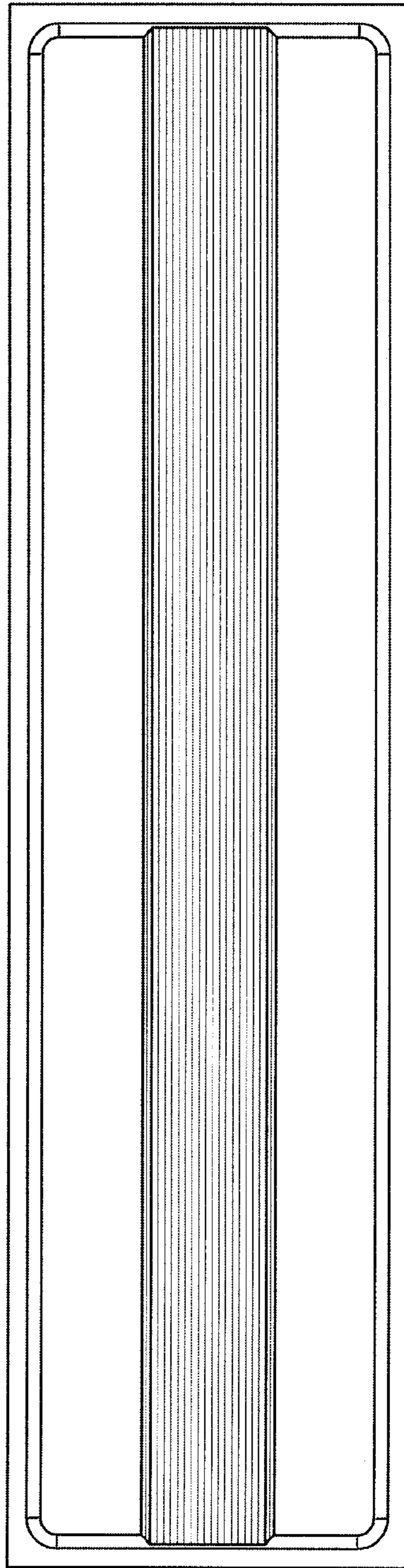


Fig. 23

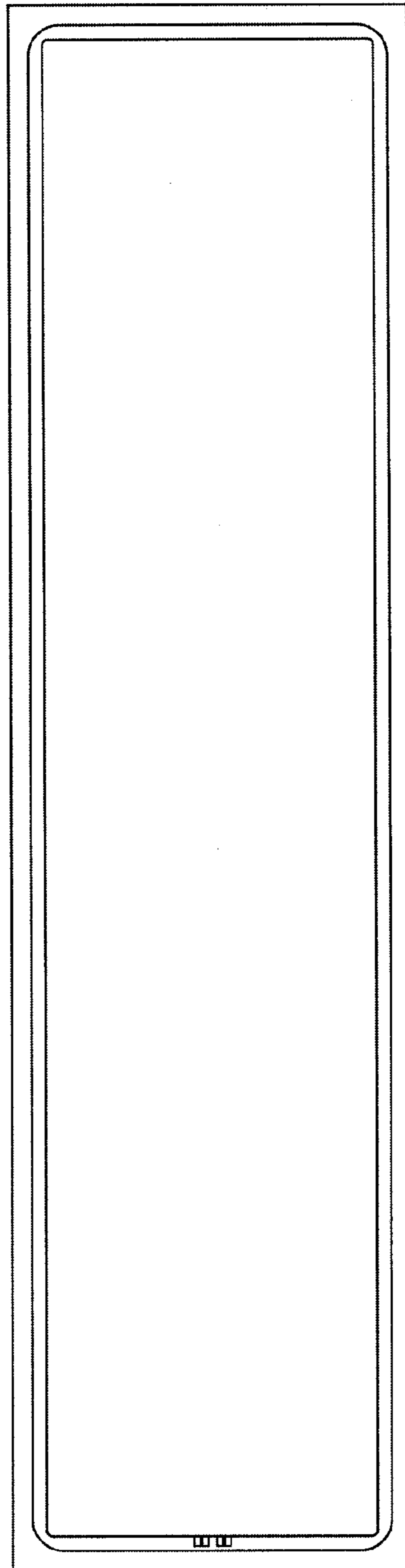


Fig. 24

Fig. 25



Fig. 26

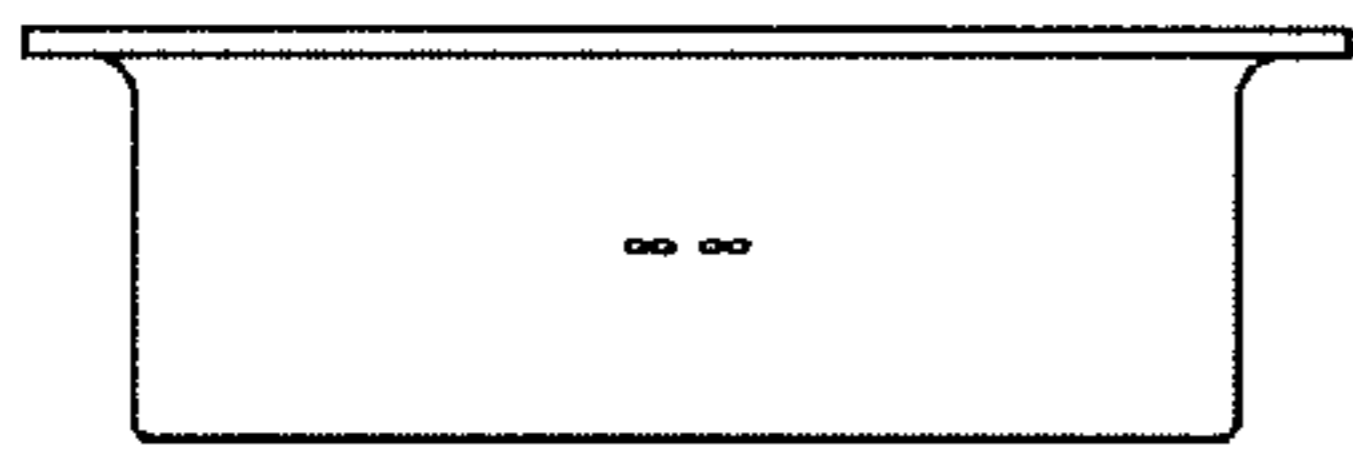


Fig. 27

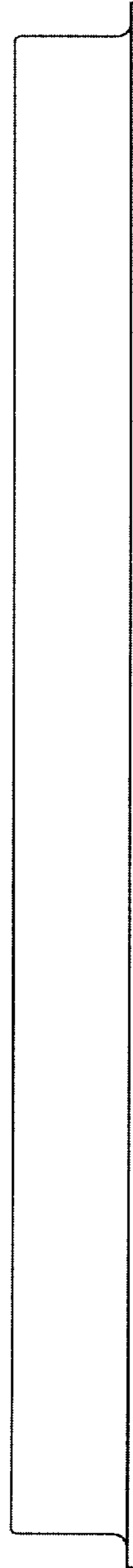


Fig. 28

