



US00D631589S

(12) **United States Design Patent**
Beghelli

(10) **Patent No.:** **US D631,589 S**
(45) **Date of Patent:** **** Jan. 25, 2011**

(54) **STREETLIGHT**

(75) Inventor: **Gian Pietro Beghelli**, Monteveglio (IT)

(73) Assignee: **Beghelli S.p.A**, Monteveglio (Bologna) (IT)

(**) Term: **14 Years**

(21) Appl. No.: **29/349,938**

(22) Filed: **May 21, 2010**

(30) **Foreign Application Priority Data**

Feb. 19, 2010 (EM) 001671918-0001

(51) **LOC (9) Cl.** **26-03**

(52) **U.S. Cl.** **D26/71**

(58) **Field of Classification Search** D26/67-71,
D26/85, 92; 362/145, 183, 231, 240, 249.02,
362/249.03, 249.04, 249.06, 249.16, 431
See application file for complete search history.

(56) **References Cited**

U.S. PATENT DOCUMENTS

D177,916 S *	6/1956	Keck et al.	D26/145
D194,480 S *	1/1963	Rodriguez et al.	D26/71
D203,217 S *	12/1965	Greenhaw	D26/71
D522,686 S *	6/2006	Lee	D26/142
D576,342 S *	9/2008	Sole	D26/92
D609,382 S *	2/2010	Laporte	D26/71
D615,235 S *	5/2010	Zheng	D26/71

D615,690 S *	5/2010	Zheng et al.	D26/71
D616,136 S *	5/2010	Lavallee	D26/71
D620,170 S *	7/2010	Schwartz et al.	D26/71

* cited by examiner

Primary Examiner—Clare E Heflin

(74) *Attorney, Agent, or Firm*—Hedman & Costigan, P.C.; James V. Costigan

(57) **CLAIM**

The ornamental design for a streetlight, as shown and described.

DESCRIPTION

FIG. 1 is a front view of the streetlight according to the present invention;

FIG. 2 is a right side view of the streetlight according to the present invention with the left side view being a mirror image of the right side;

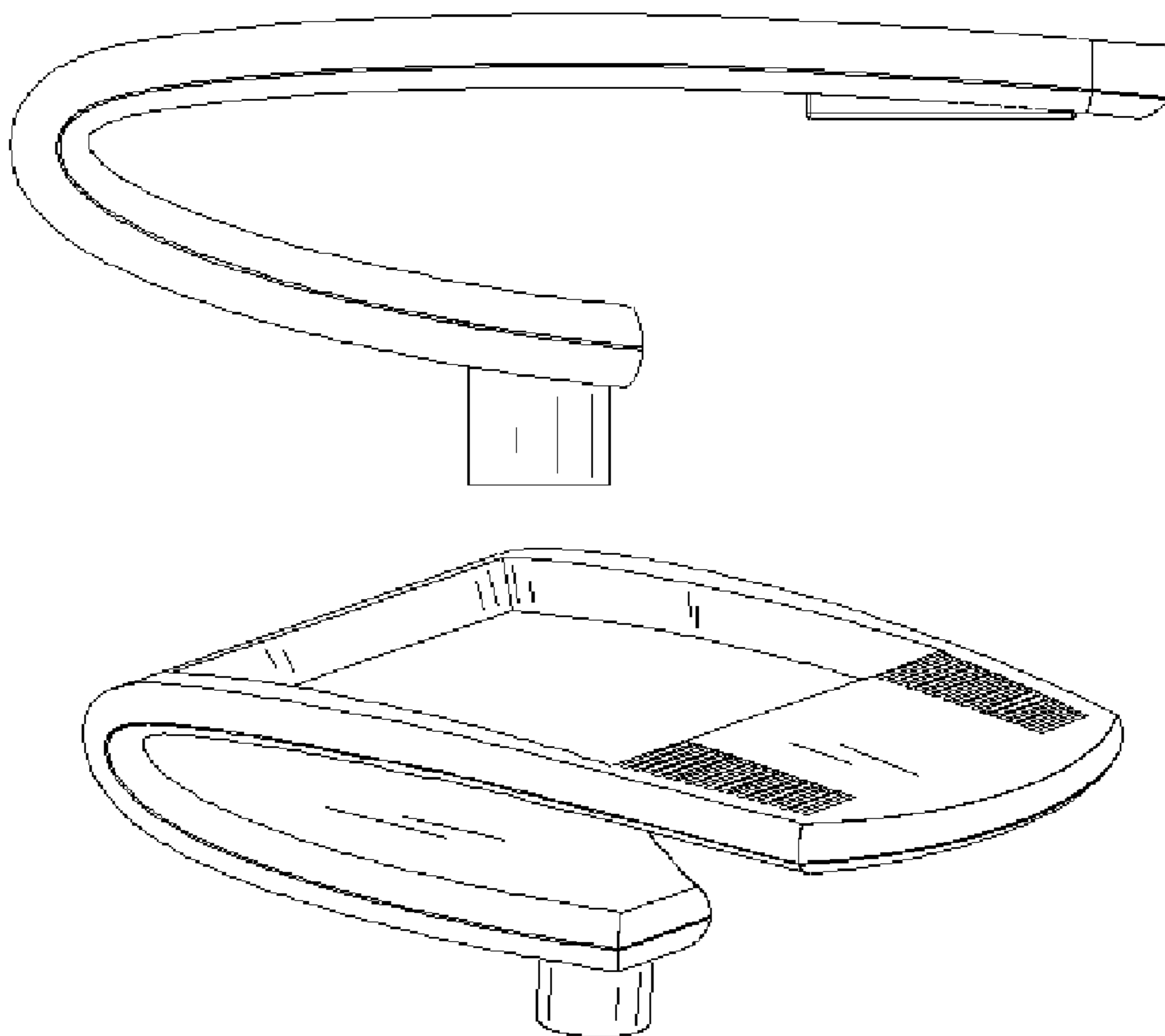
FIG. 3 is a top perspective view of the streetlight according to the present invention;

FIG. 4 is a top view of the streetlight according to the present invention;

FIG. 5 is a back view of the streetlight according to the present invention; and,

FIG. 6 is a bottom view of the streetlight according to the invention.

1 Claim, 1 Drawing Sheet



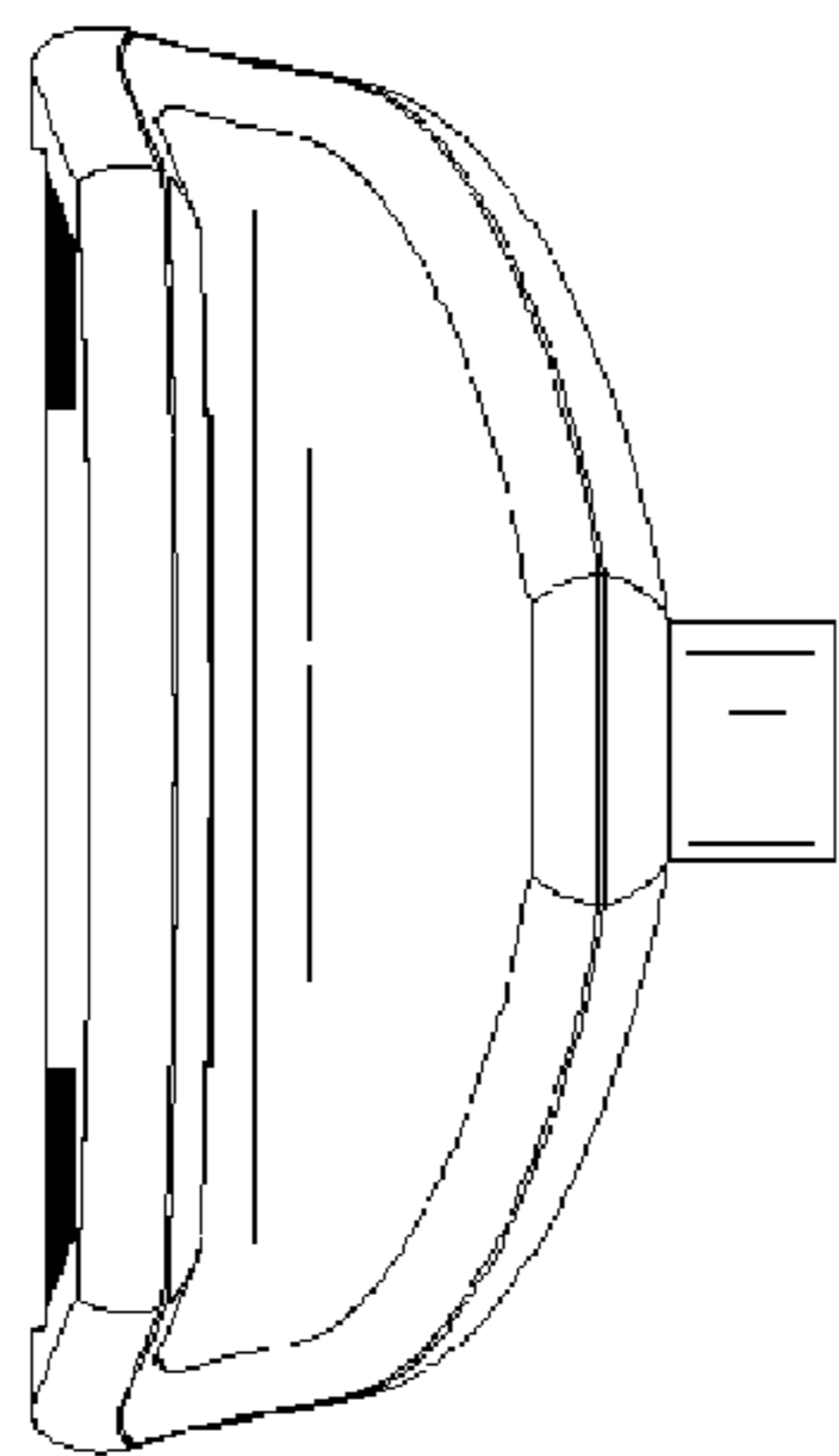


Fig. 1

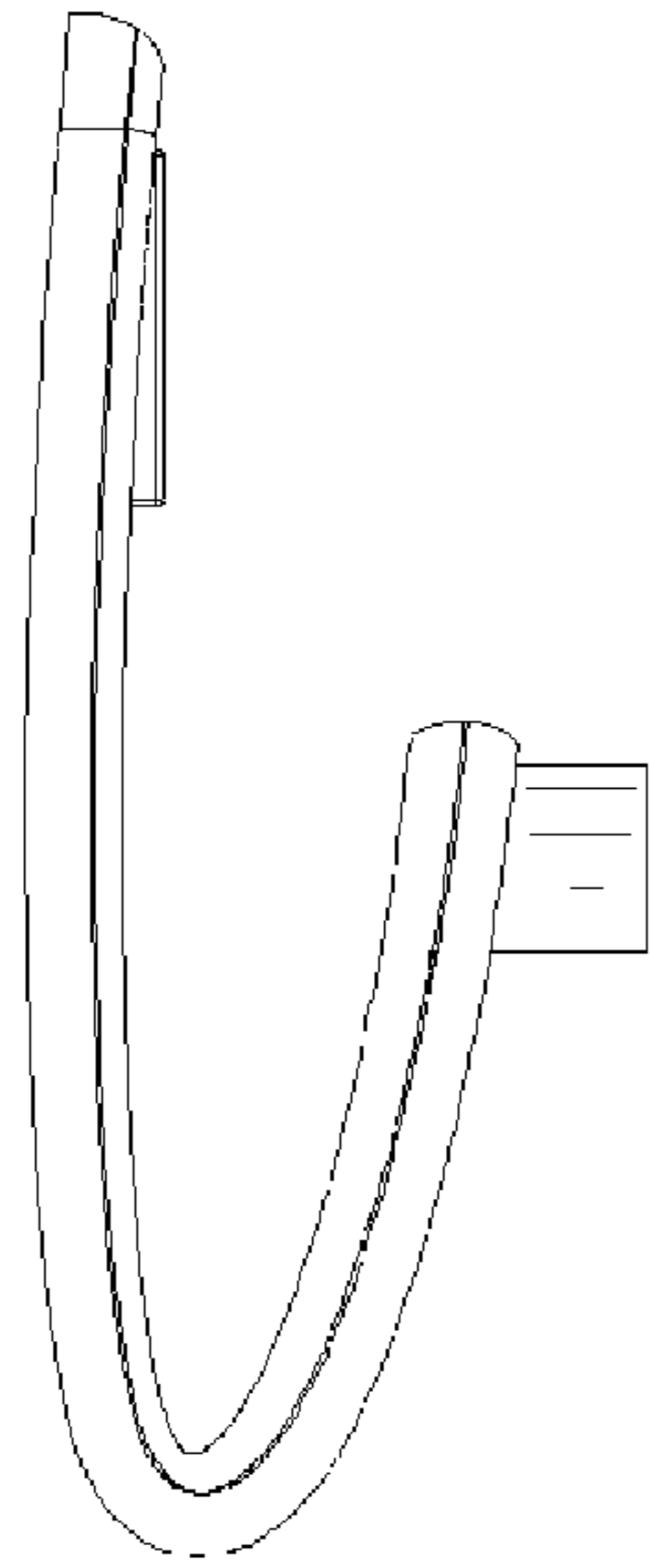


Fig. 2

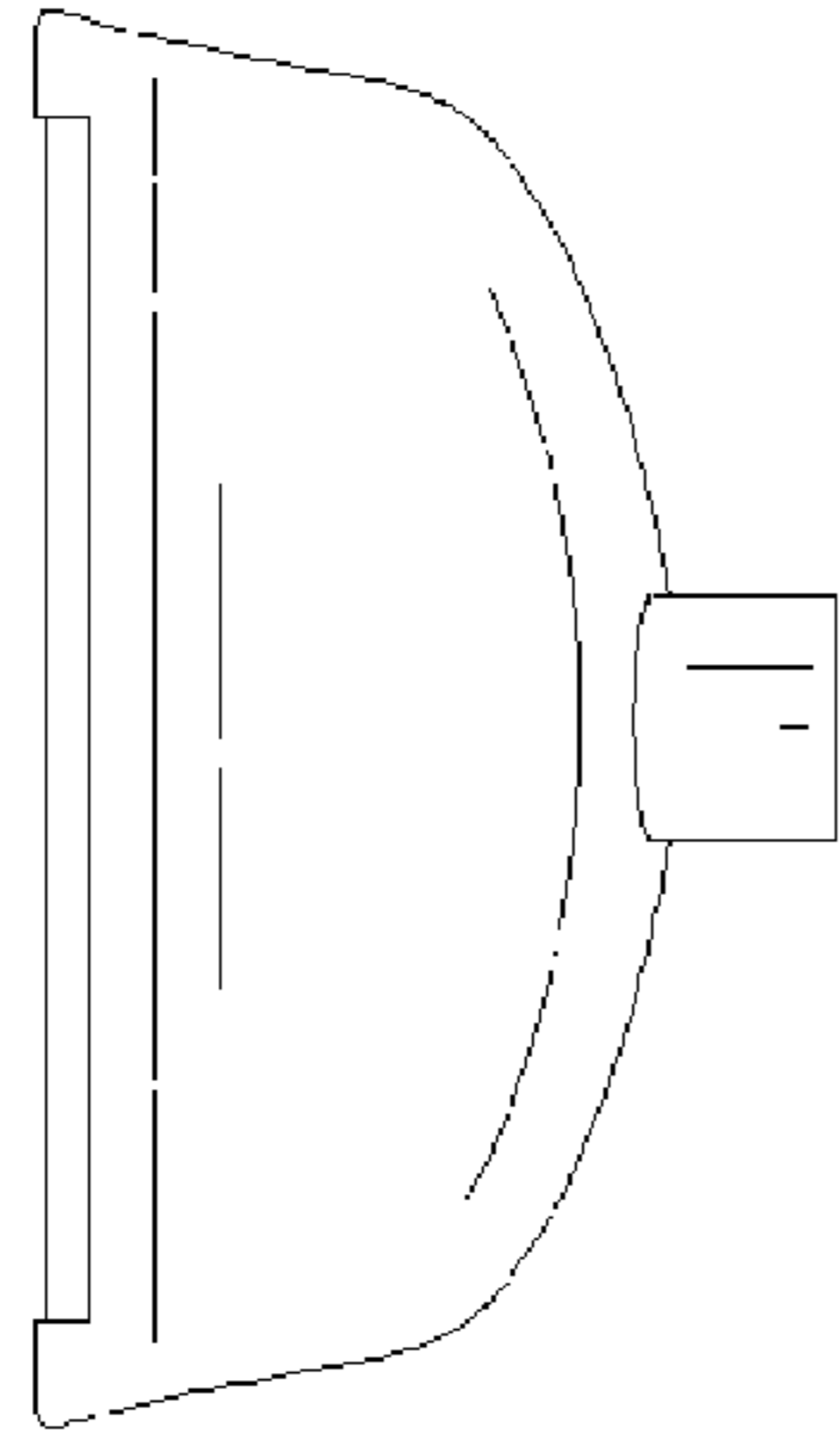


Fig. 5

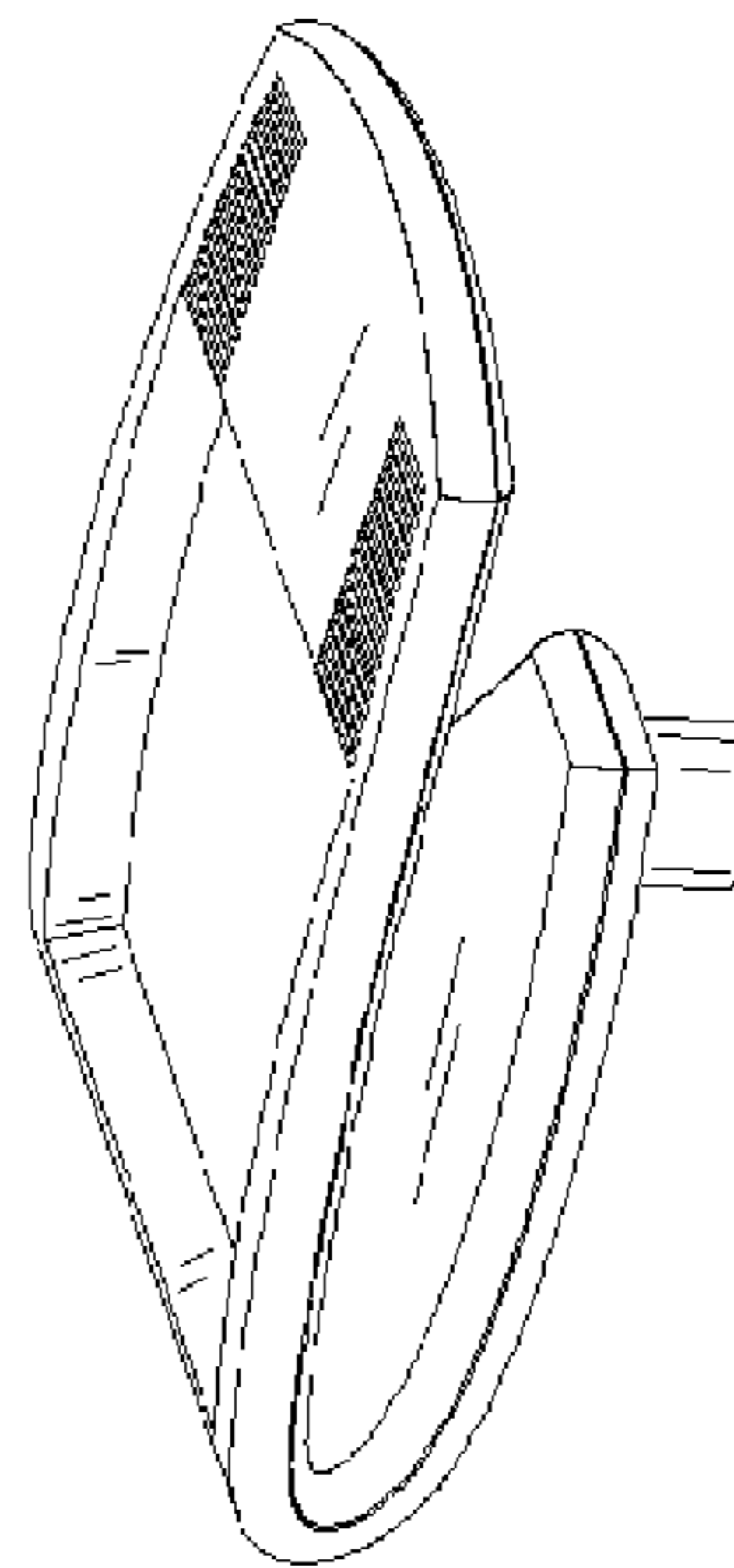


Fig. 3

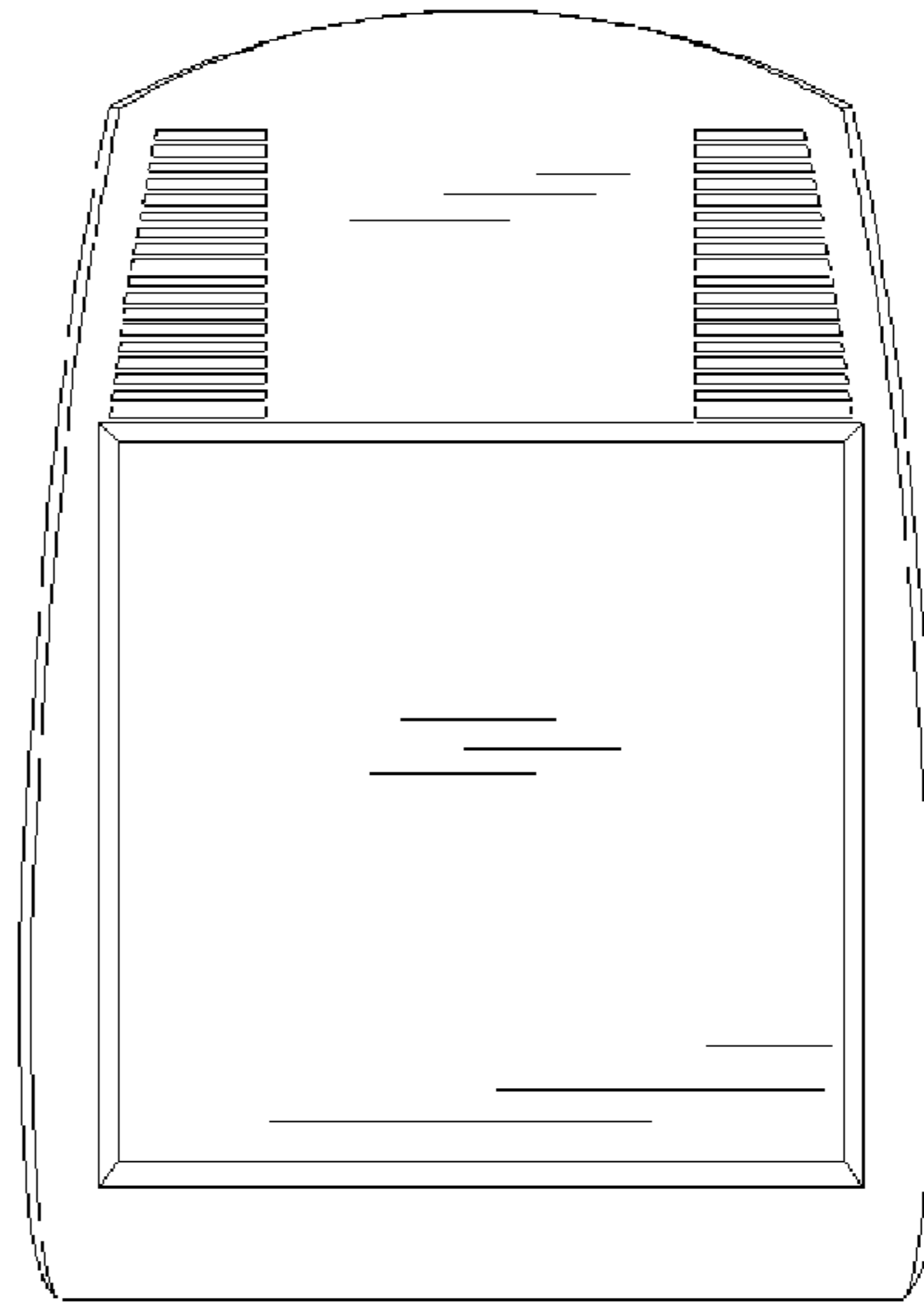


Fig. 4

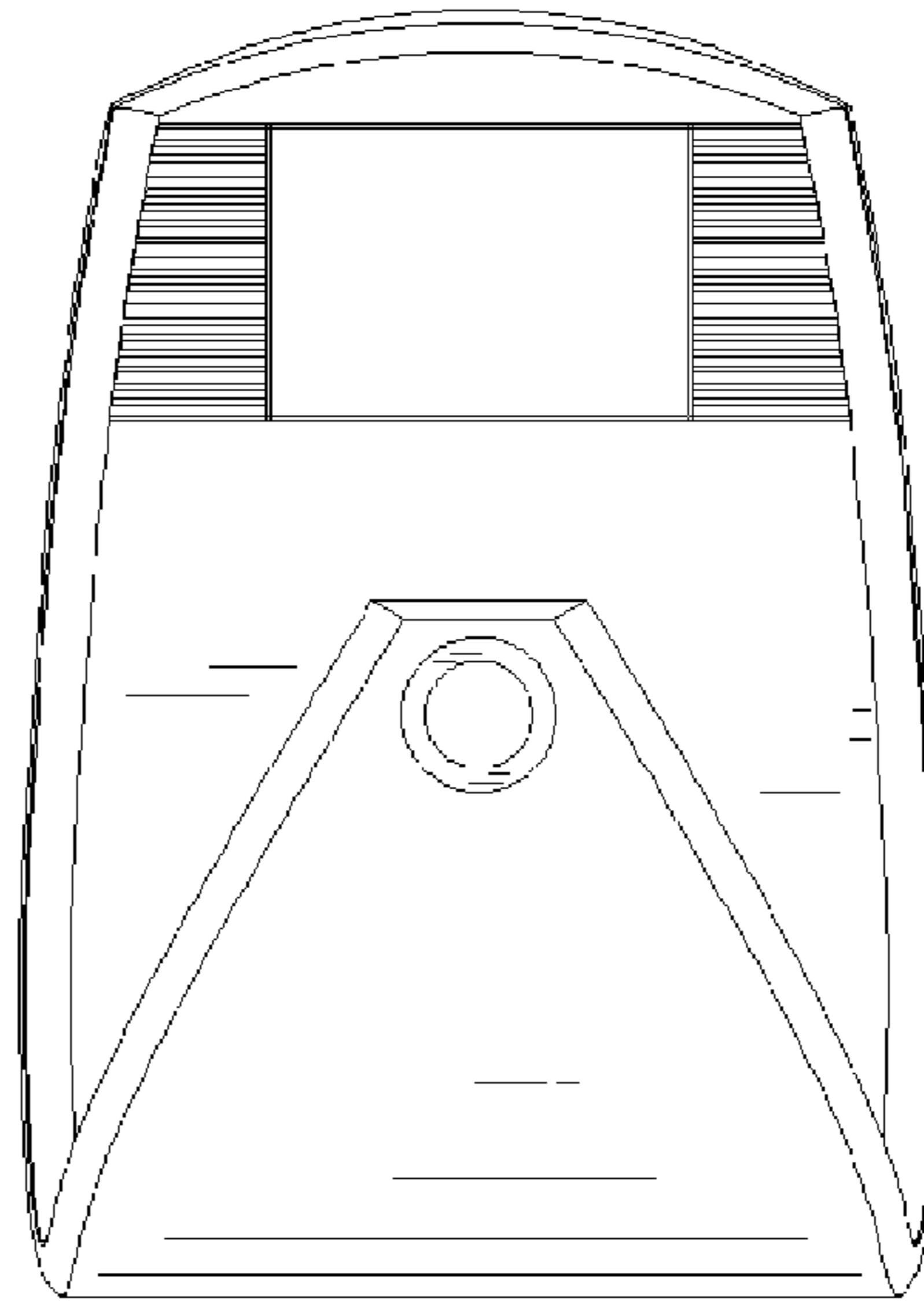


Fig. 6