



US00D631588S

(12) **United States Design Patent**  
**Bergmann et al.**

(10) **Patent No.:** **US D631,588 S**

(45) **Date of Patent:** **\*\* Jan. 25, 2011**

(54) **LIGHT**

(75) Inventors: **Martin Bergmann**, Vienna (AT);  
**Harald Gründl**, Vienna (AT); **Gernot Bohmann**, Vienna (AT)

(73) Assignee: **Zumtobel Lighting GmbH**, Dornbirn (AT)

(\*\*) Term: **14 Years**

(21) Appl. No.: **29/351,102**

(22) Filed: **Nov. 30, 2009**

(30) **Foreign Application Priority Data**

May 28, 2009 (EP) ..... 001 140 883-0001

(51) **LOC (9) Cl.** ..... **26-05**

(52) **U.S. Cl.** ..... **D26/63**

(58) **Field of Classification Search** ..... D26/61-66,  
D26/72, 85, 88, 81; 362/147, 277-280, 285,  
362/287, 290, 291, 404, 406, 418, 269, 282,  
362/427, 430-432, 419

See application file for complete search history.

(56) **References Cited**

**U.S. PATENT DOCUMENTS**

4,851,973 A \* 7/1989 Layne ..... 362/147  
D370,075 S \* 5/1996 Mier-Langner et al. .... D26/63  
D443,710 S \* 6/2001 Chiu ..... D26/63  
D538,959 S \* 3/2007 Kosche ..... D26/63

D541,456 S \* 4/2007 Kosche ..... D26/63  
D566,873 S \* 4/2008 Gründl et al. .... D26/63  
D567,979 S \* 4/2008 Starck ..... D26/63

\* cited by examiner

*Primary Examiner*—Philip S Hyder

*Assistant Examiner*—Linda G. Brooks

(74) *Attorney, Agent, or Firm*—Christensen O'Connor Johnson Kindness PLLC

(57) **CLAIM**

The ornamental design for a light, as shown and described.

**DESCRIPTION**

FIG. 1 is an isometric view of a light according to the present invention;

FIGS. 2 and 3 are opposite side elevation views of a light according to the present invention;

FIG. 4 is a front elevation view of a light according to the present invention;

FIG. 5 is a rear elevation view of a light according to the present invention;

FIG. 6 is a bottom plan view of a light according to the present invention; and,

FIG. 7 is a top plan view of a light according to the present invention.

The portions of the light shown in broken lines form no part of the claimed design.

**1 Claim, 4 Drawing Sheets**

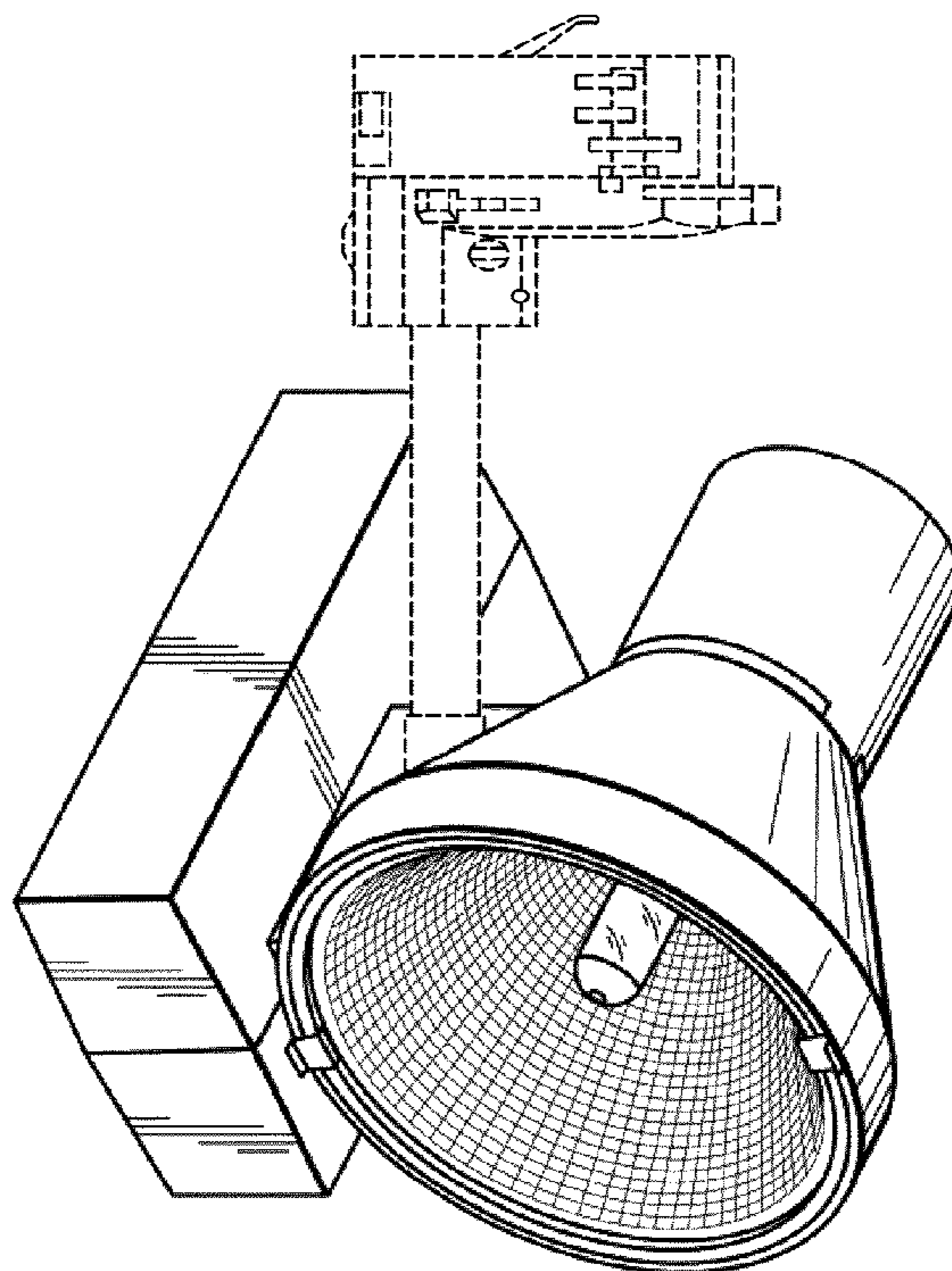
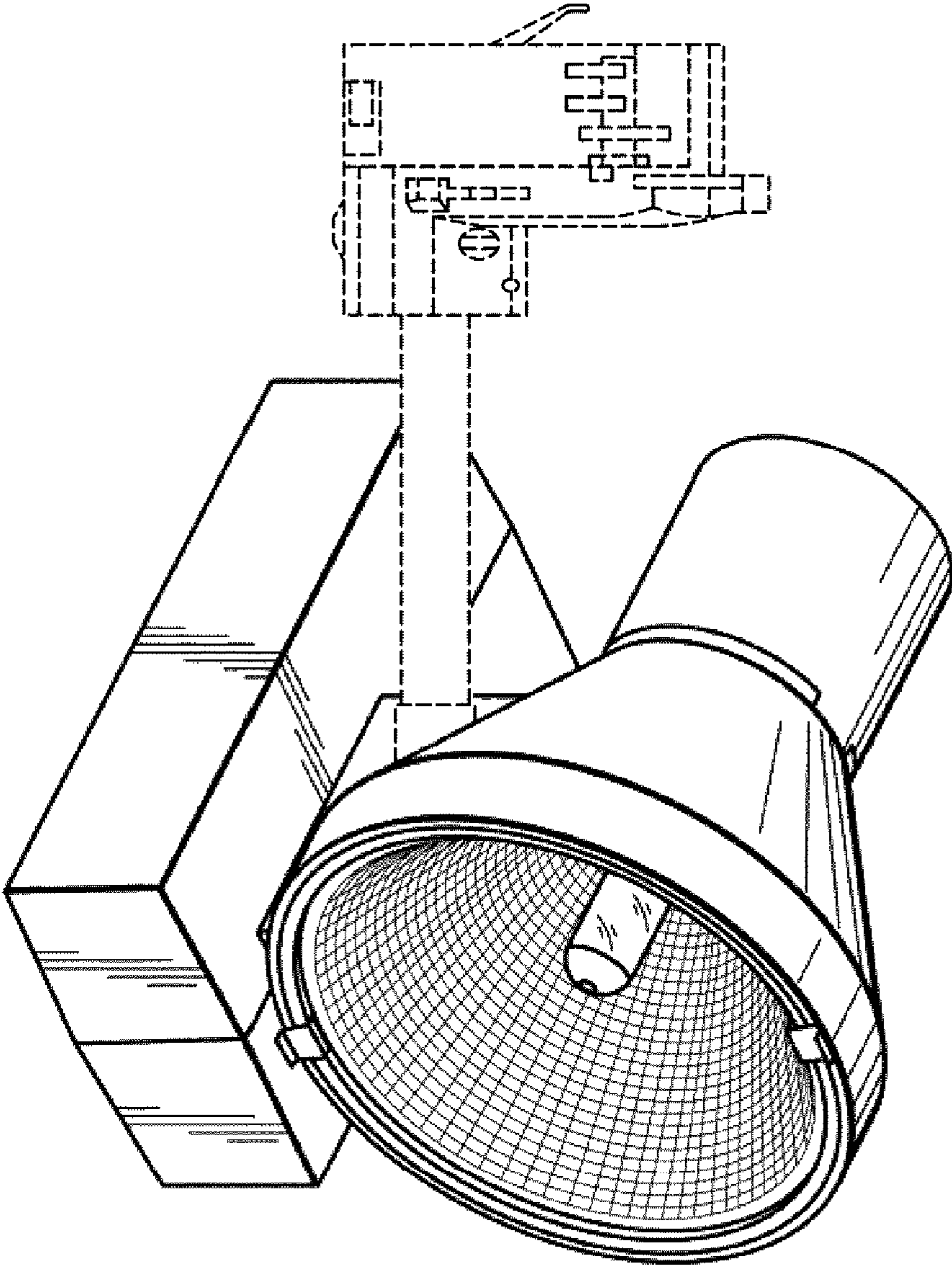


Fig. 1



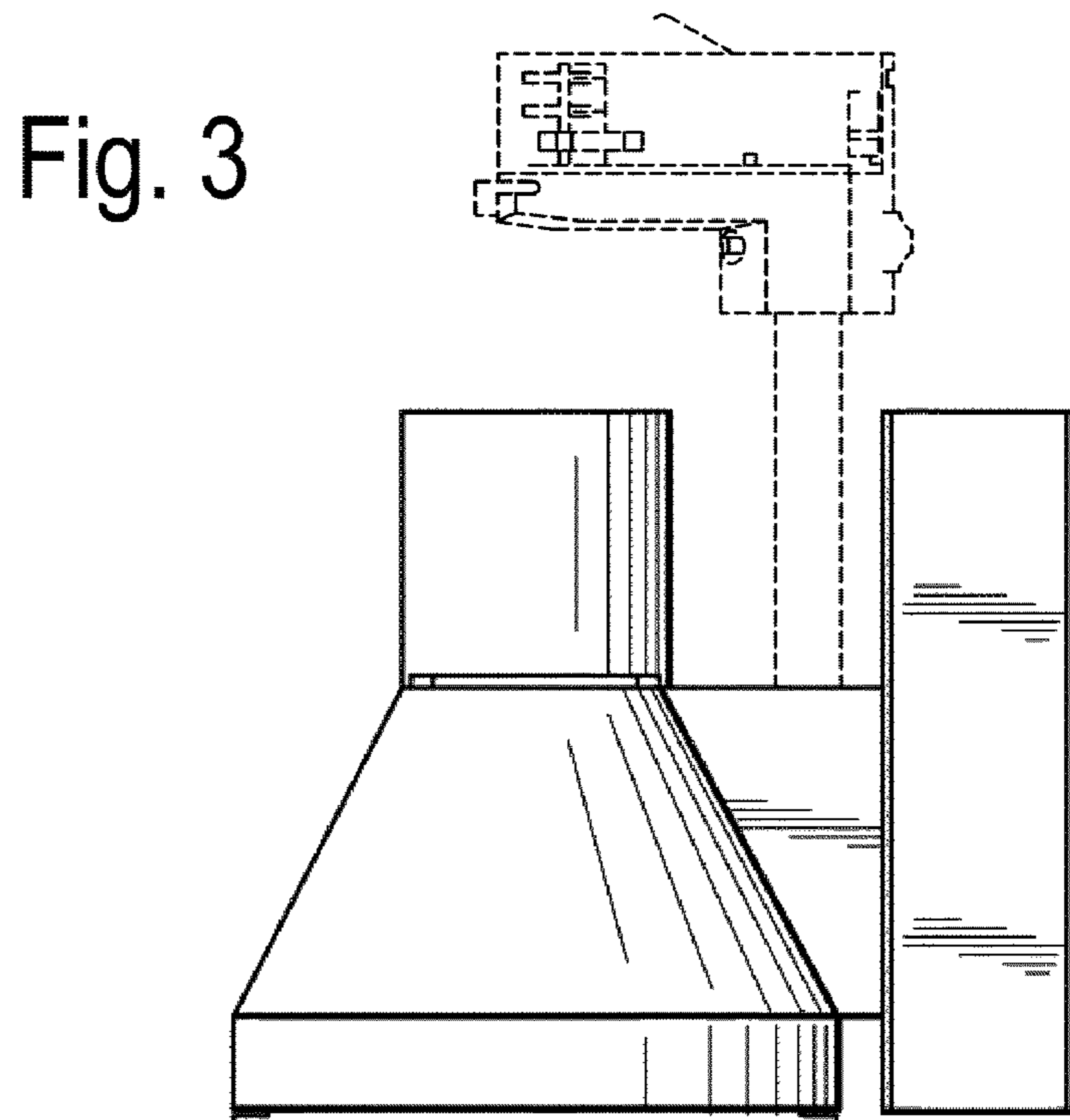
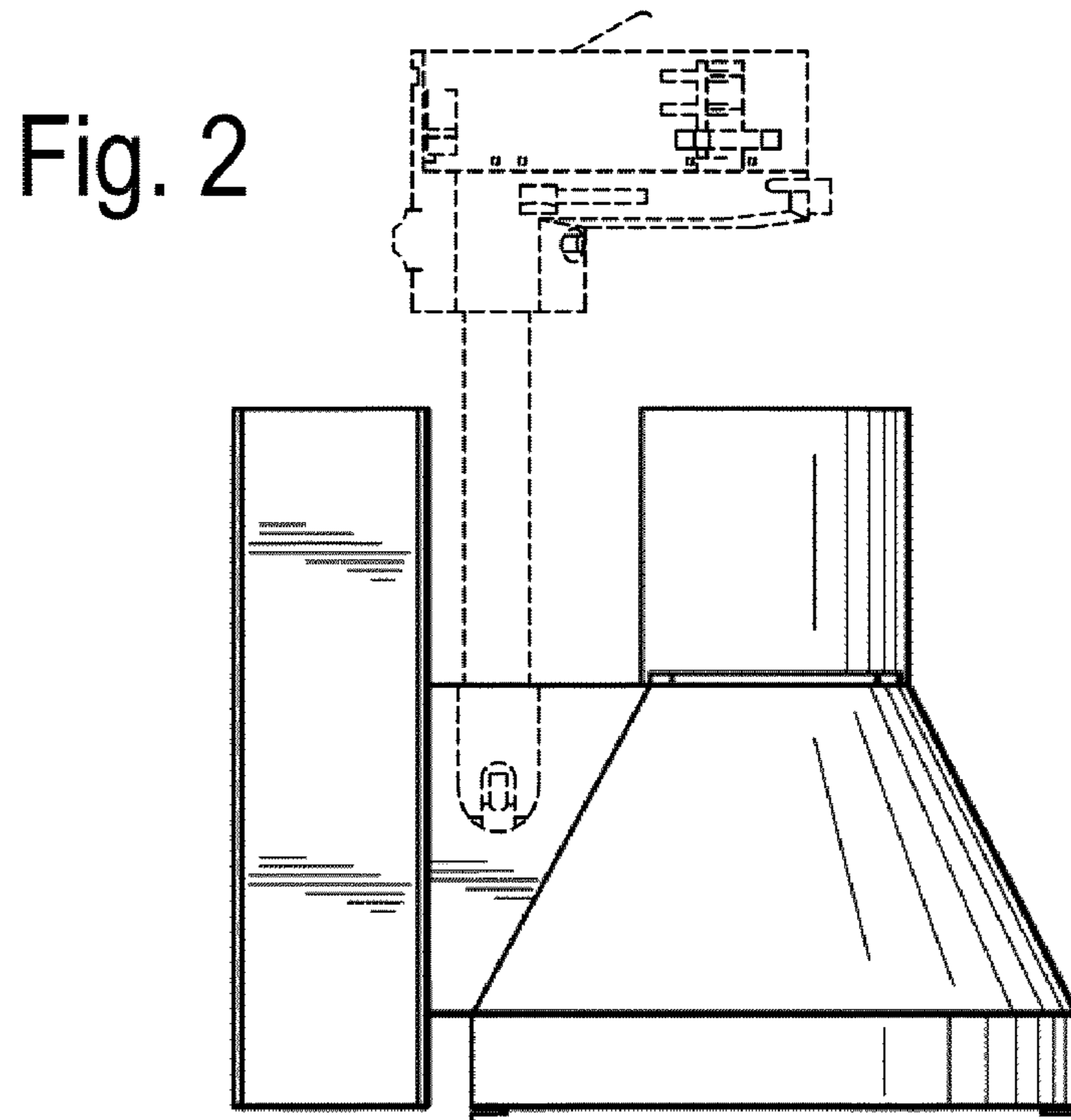


Fig. 4

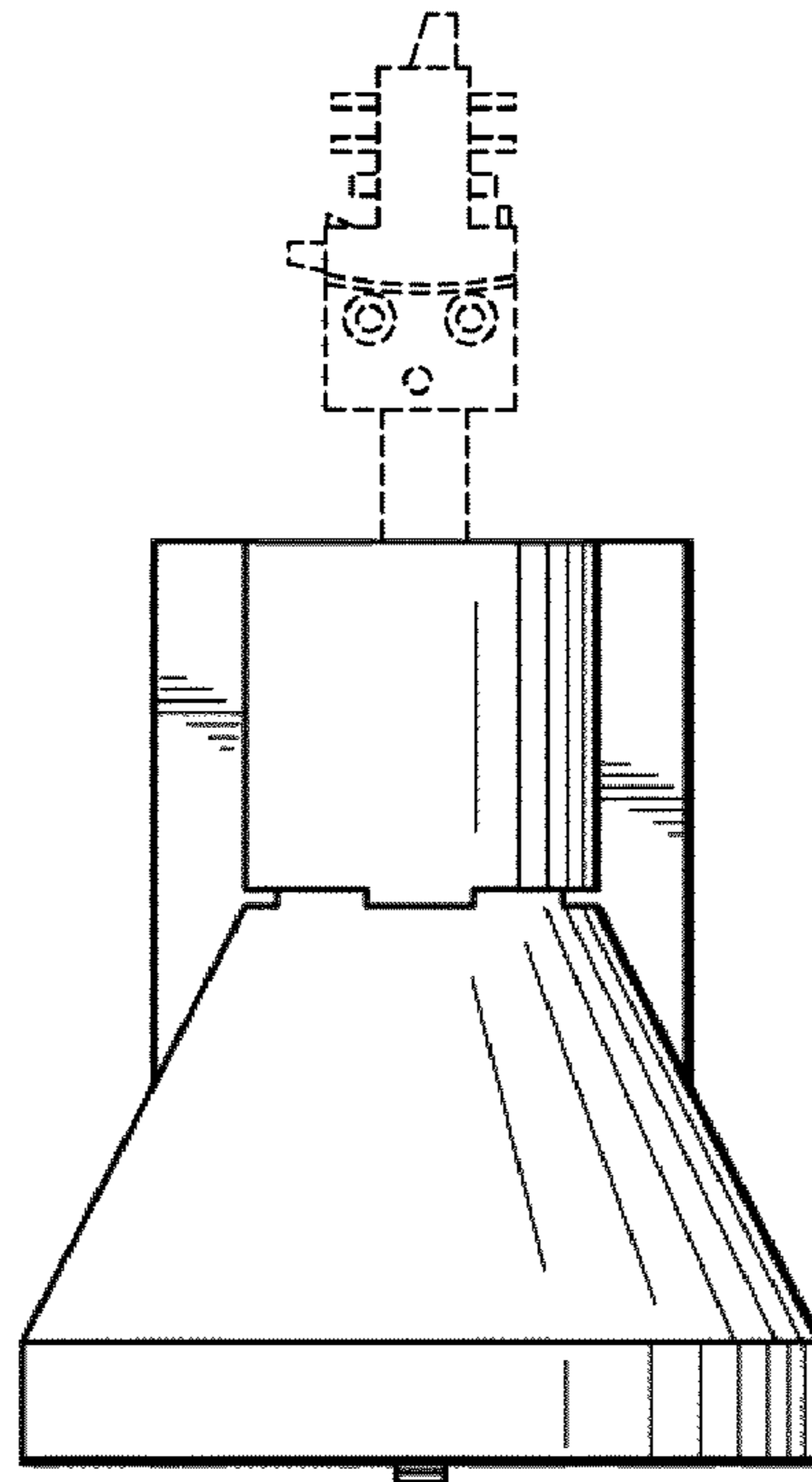


Fig. 5

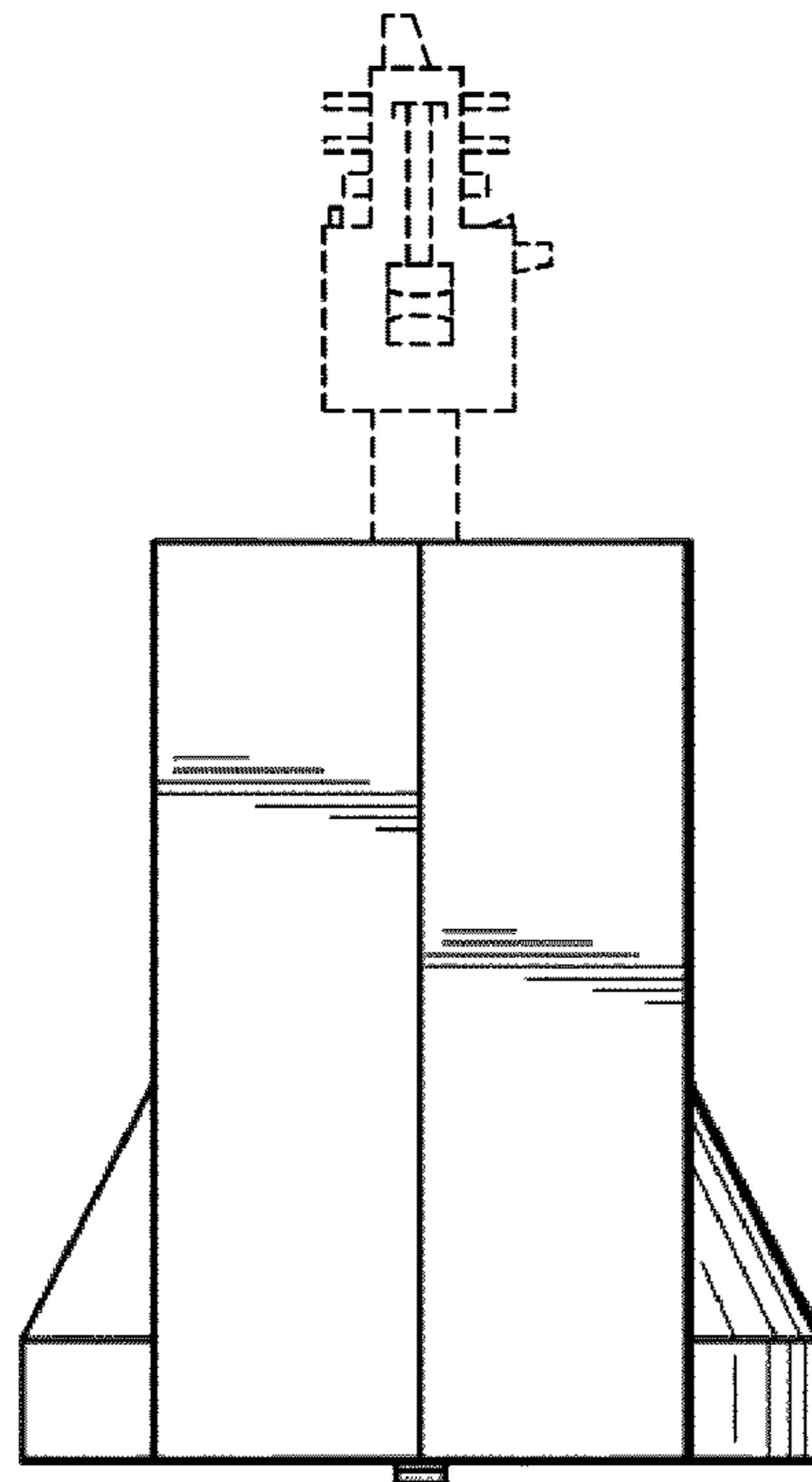




Fig. 6

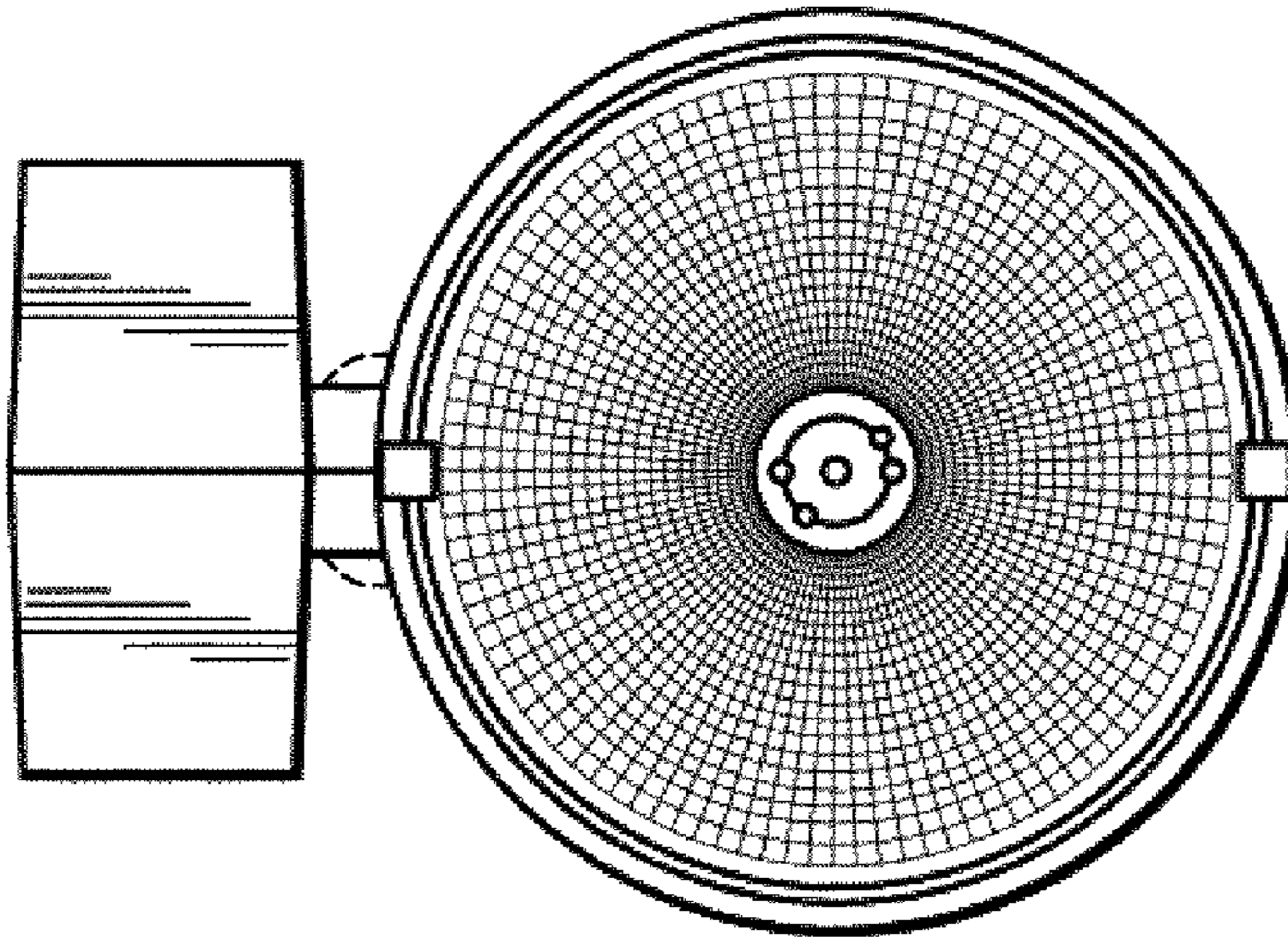


Fig. 7

