



US00D631587S

(12) **United States Design Patent**  
**Hine et al.**

(10) **Patent No.:** **US D631,587 S**

(45) **Date of Patent:** **\*\* Jan. 25, 2011**

(54) **LIGHTING DEVICE**

(75) Inventors: **David J Hine**, Skaneateles, NY (US);  
**Donwoong Kang**, Camillus, NY (US);  
**Scott W Osiecki**, Skaneateles, NY (US);  
**Earl K Sant**, Avon Lake, OH (US)

(73) Assignee: **Eveready Battery Company, Inc.**, St. Louis, MO (US)

(\*\*) Term: **14 Years**

(21) Appl. No.: **29/358,214**

(22) Filed: **Mar. 24, 2010**

**Related U.S. Application Data**

(63) Continuation of application No. 29/342,016, filed on Aug. 17, 2009, now Pat. No. Des. 615,227.

(51) **LOC (9) Cl.** ..... **26-02**

(52) **U.S. Cl.** ..... **D26/39**

(58) **Field of Classification Search** ..... D26/37,  
D26/38, 39, 41, 46; 362/157, 158, 183, 184,  
362/194–201, 208

See application file for complete search history.

(56) **References Cited**

**U.S. PATENT DOCUMENTS**

|            |   |         |                |       |        |
|------------|---|---------|----------------|-------|--------|
| D390,678 S | * | 2/1998  | Matthes        | ..... | D26/37 |
| D463,052 S |   | 9/2002  | Shiu           |       |        |
| D475,195 S | * | 6/2003  | Christianson   | ..... | D3/209 |
| D507,065 S | * | 7/2005  | Son            | ..... | D26/39 |
| D523,573 S | * | 6/2006  | Lee            | ..... | D26/28 |
| D541,452 S |   | 4/2007  | Schnell        |       |        |
| D543,297 S | * | 5/2007  | Osiecki et al. | ..... | D26/37 |
| D544,113 S | * | 6/2007  | Ueda et al.    | ..... | D26/28 |
| D548,384 S |   | 8/2007  | Komar          |       |        |
| D553,279 S | * | 10/2007 | Yang           | ..... | D26/39 |

|            |   |         |                     |       |        |
|------------|---|---------|---------------------|-------|--------|
| D555,265 S | * | 11/2007 | Shiu                | ..... | D26/39 |
| D560,296 S | * | 1/2008  | Lee                 | ..... | D26/37 |
| D564,111 S |   | 3/2008  | Hillard             |       |        |
| D564,685 S |   | 3/2008  | Schnell             |       |        |
| D566,311 S |   | 4/2008  | Schnell             |       |        |
| D570,021 S |   | 5/2008  | Xu                  |       |        |
| D570,023 S | * | 5/2008  | Lee                 | ..... | D26/60 |
| D574,986 S |   | 8/2008  | Kumthampinij et al. |       |        |

\* cited by examiner

*Primary Examiner*—Charles A Rademaker

*Assistant Examiner*—Carissa C Fitts

(74) *Attorney, Agent, or Firm*—Gregory J. Adams

(57) **CLAIM**

We claim the ornamental design for a lighting device, as shown and described.

**DESCRIPTION**

FIG. 1 is a front perspective view of the lighting device.

FIG. 2 is a rear perspective view of the lighting device.

FIG. 3 is a front view of the lighting device.

FIG. 4 is a rear view of the lighting device.

FIG. 5 is a top view of the lighting device.

FIG. 6 is a bottom view of the lighting device.

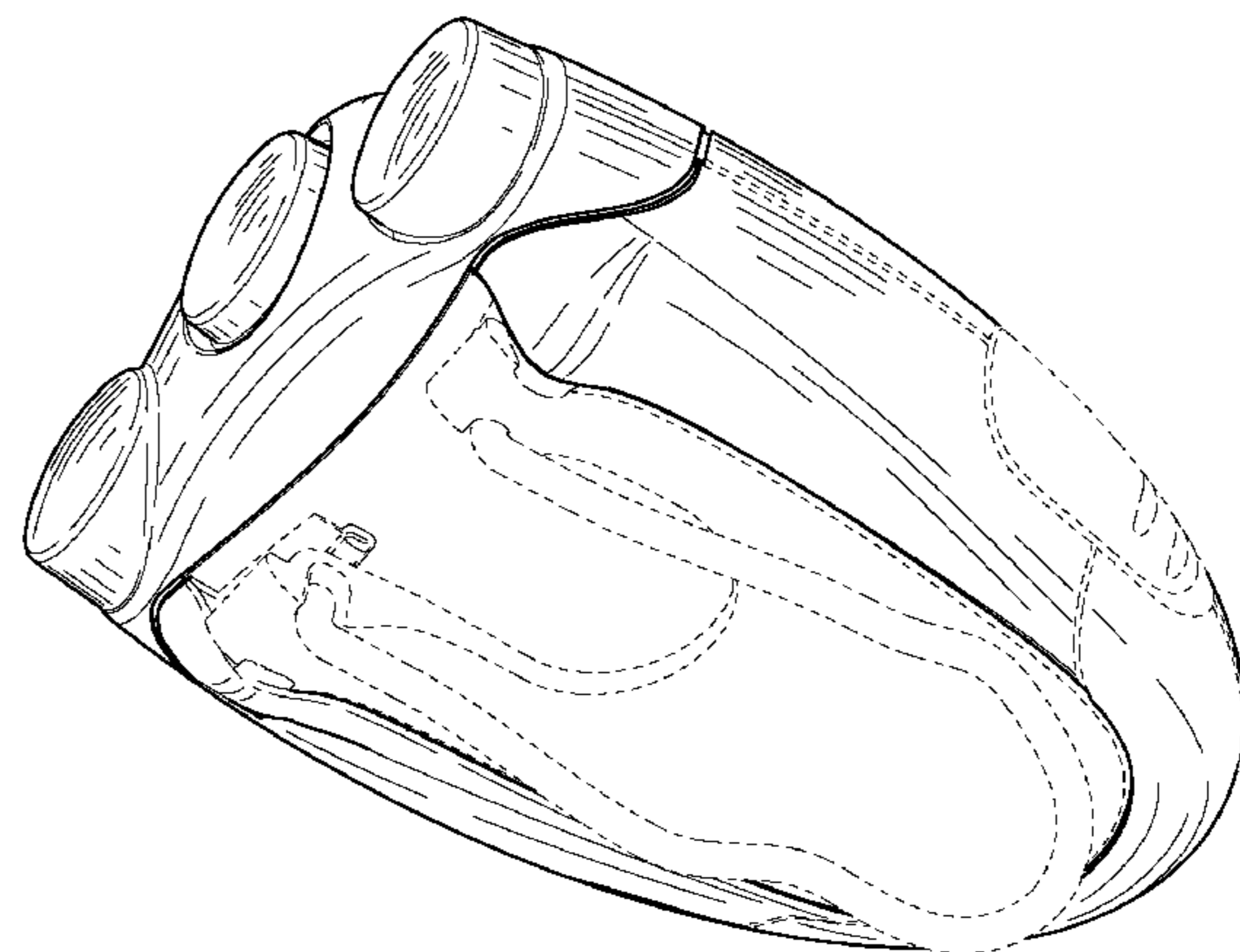
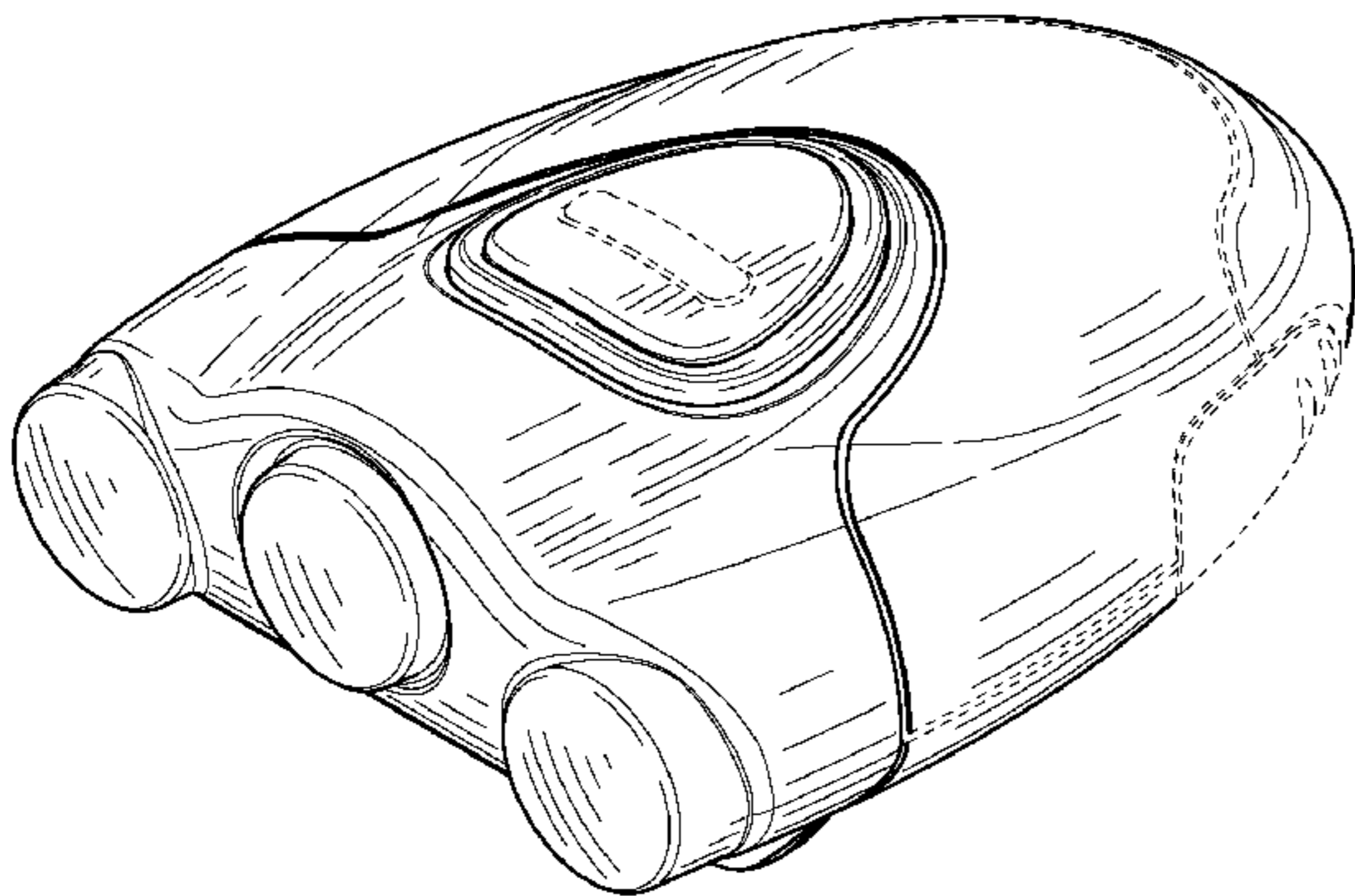
FIG. 7 is a right side view of the lighting device. The left side view is a mirror image of the right side view of the lighting device.

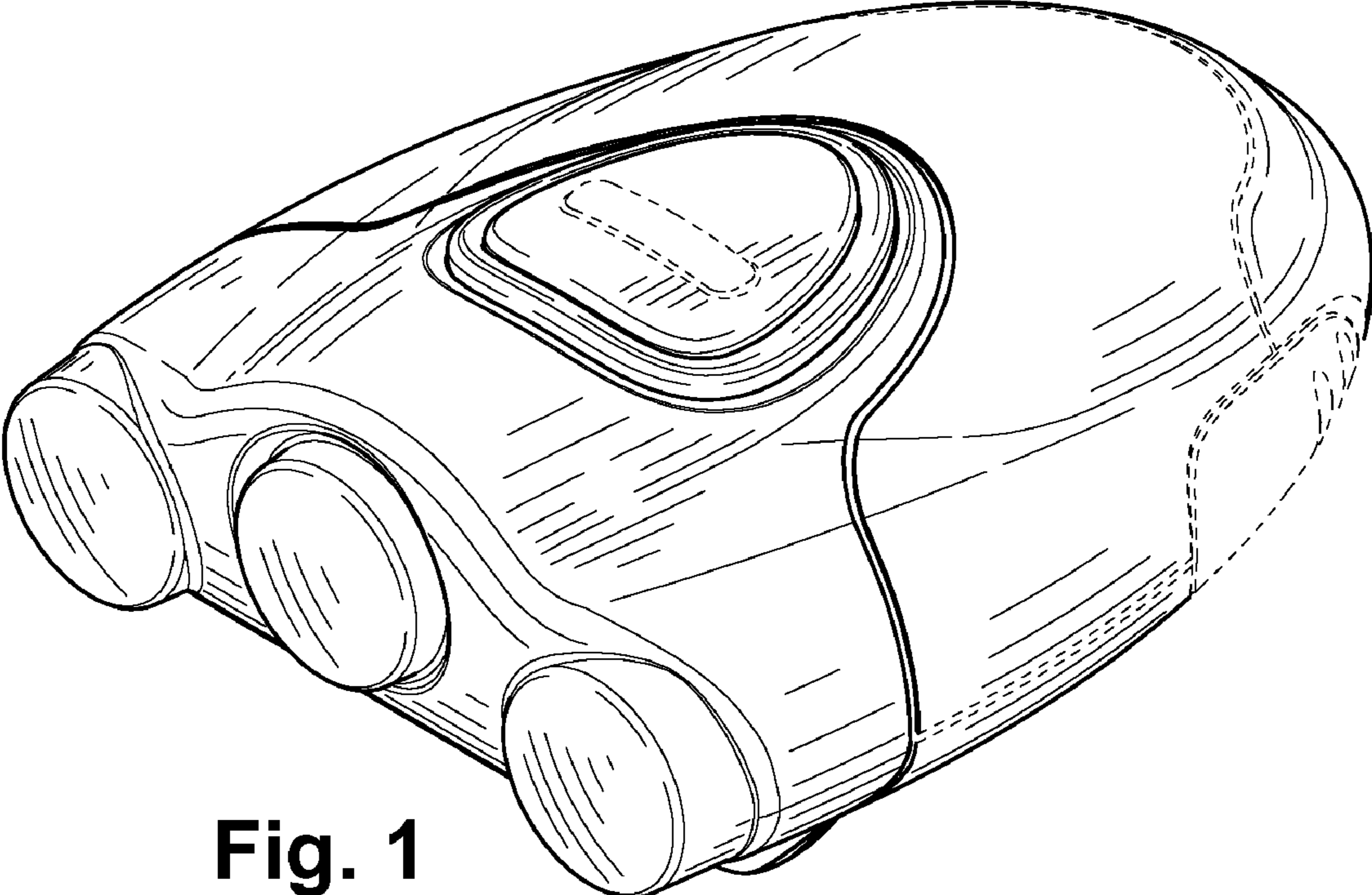
FIG. 8 is a bottom perspective view with the clip rotated; and,

FIG. 9 is a bottom view with the clip rotated.

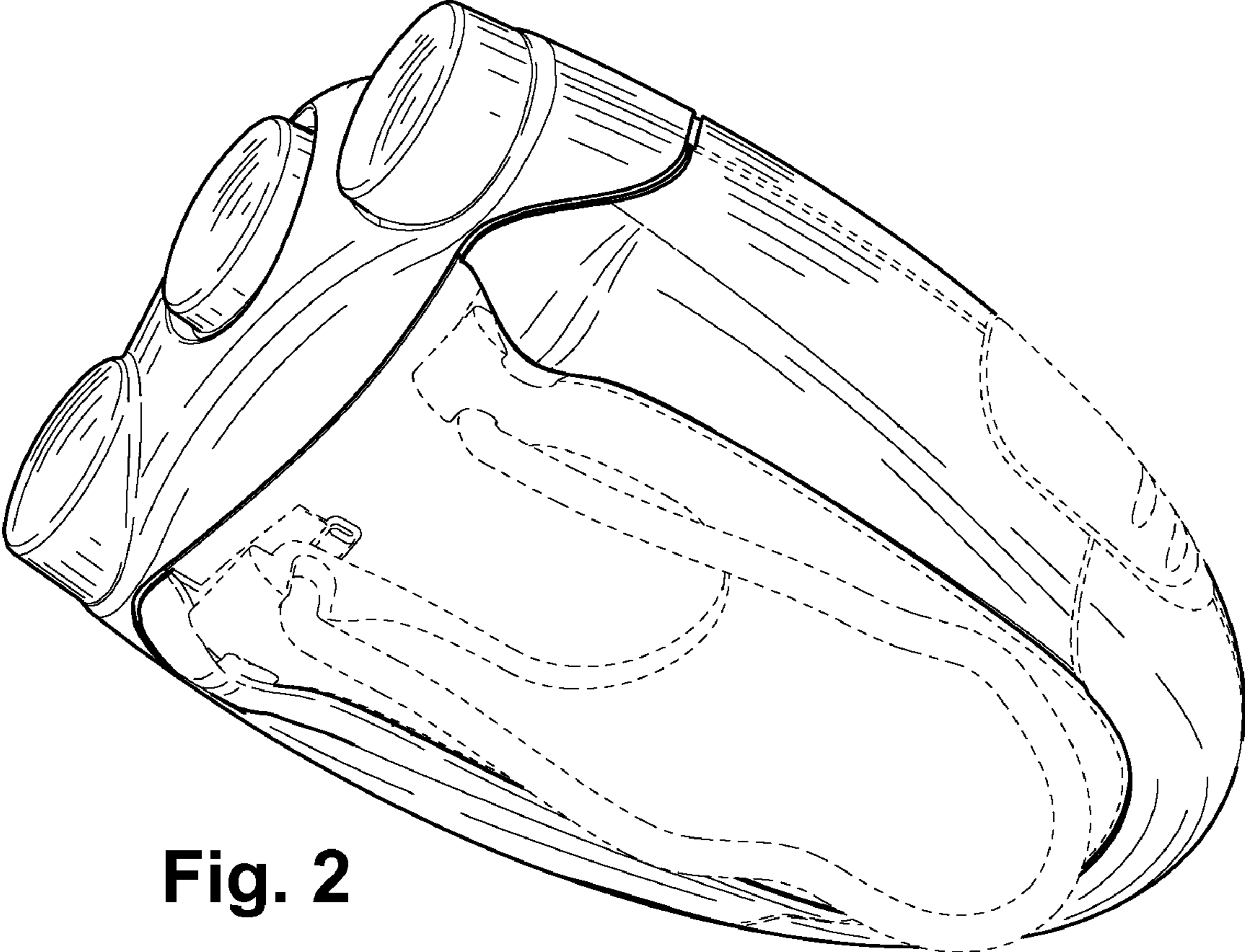
The broken lines shown in the drawings are included for the purpose of illustrating structural environment and form no part of the claimed design.

**1 Claim, 6 Drawing Sheets**

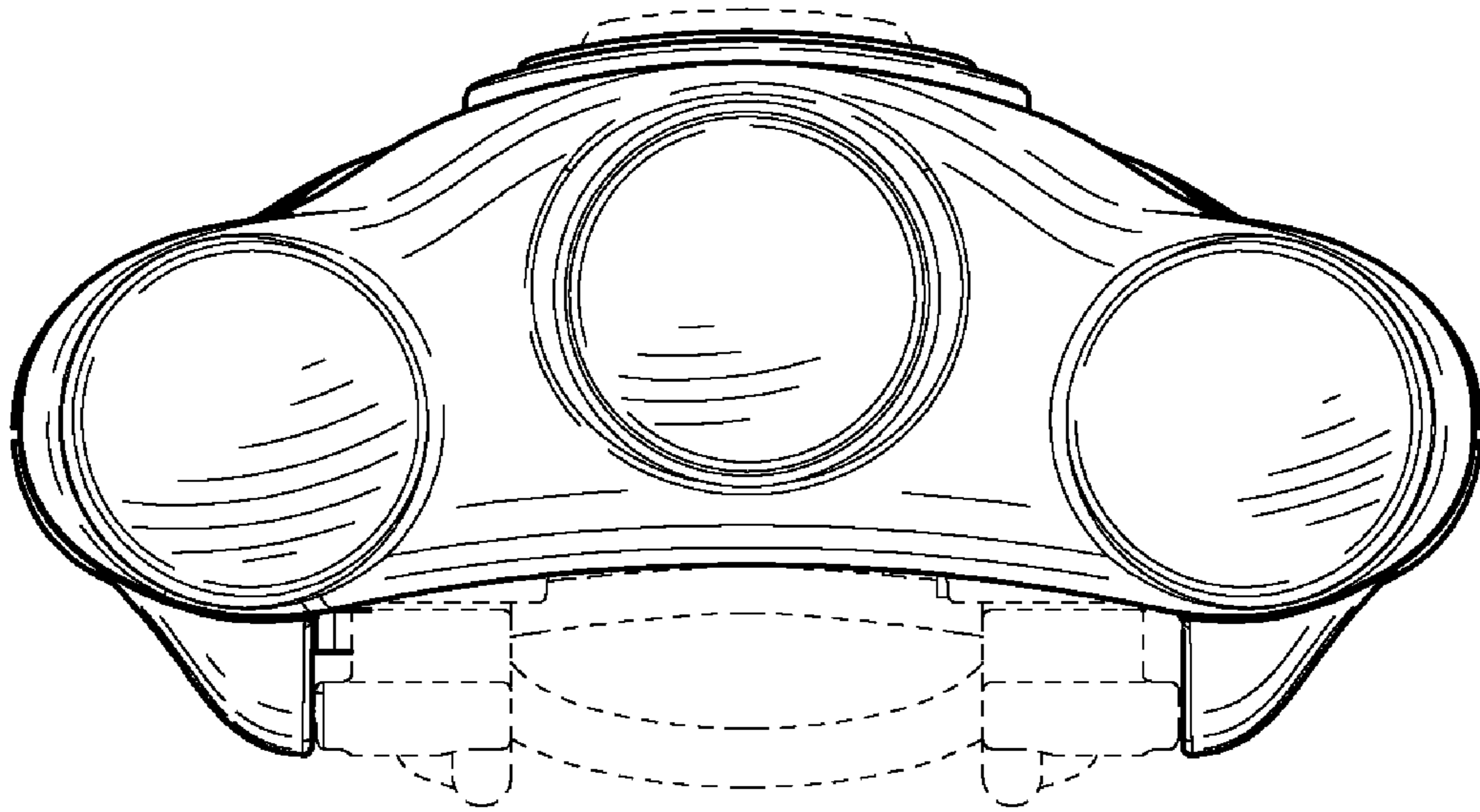




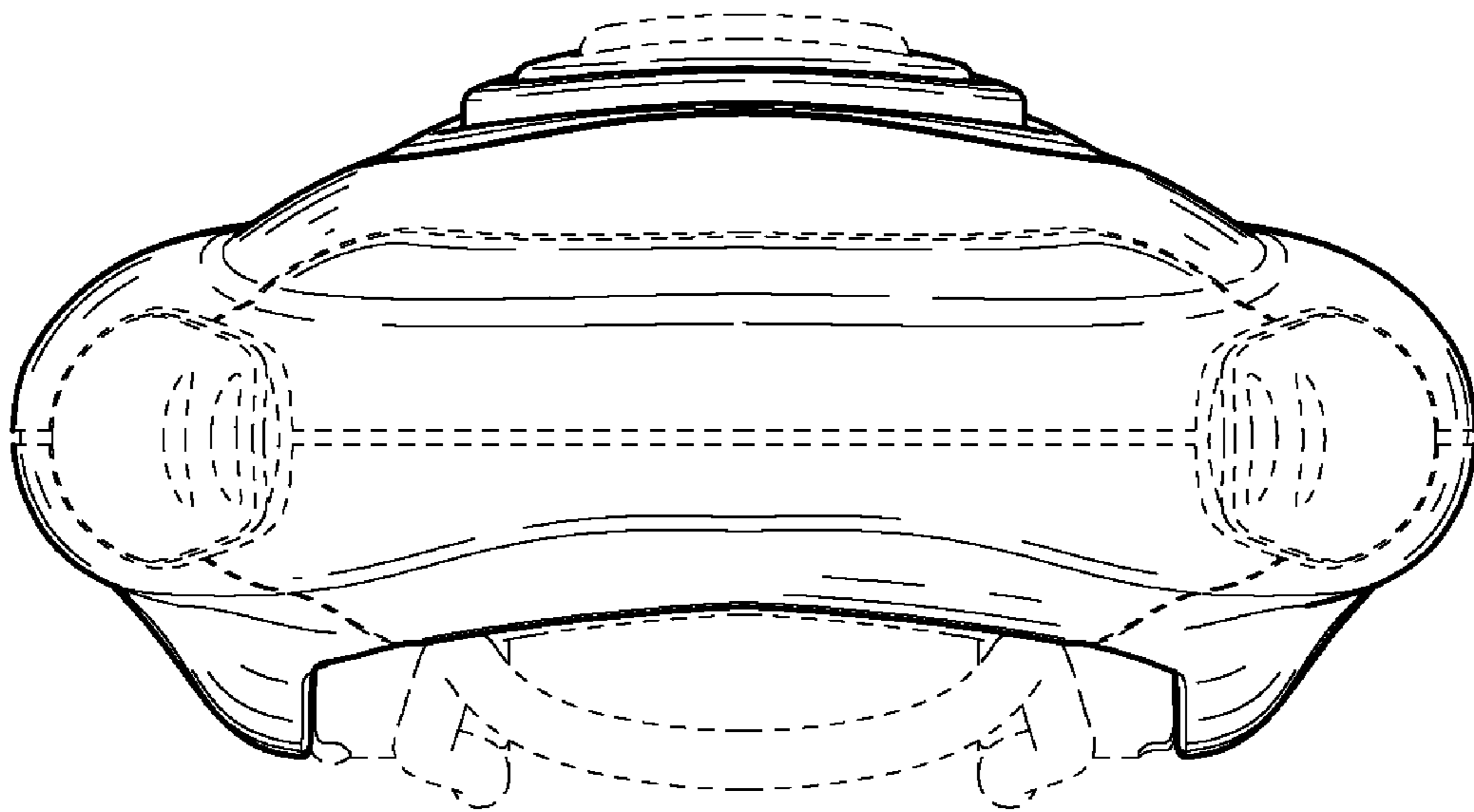
**Fig. 1**



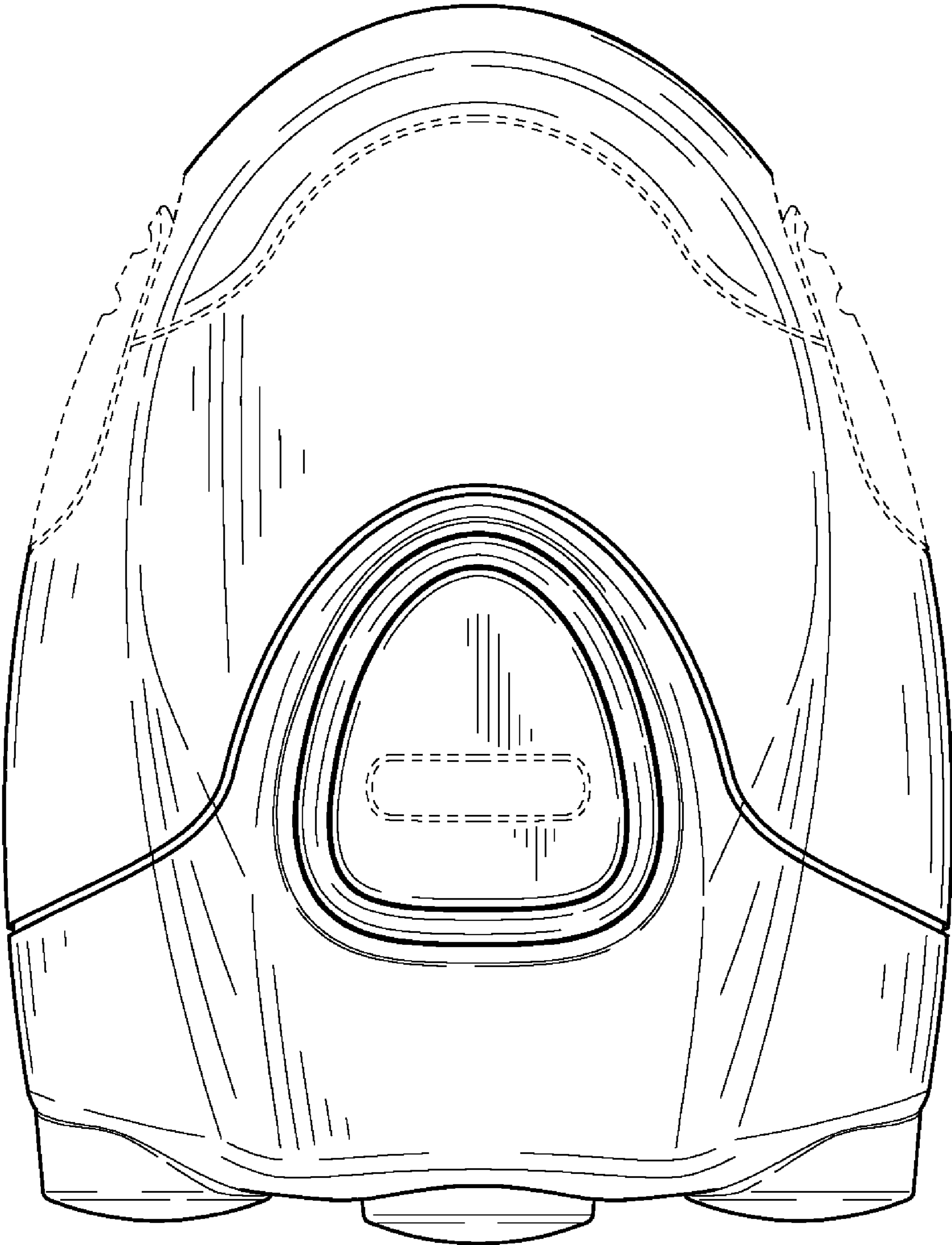
**Fig. 2**



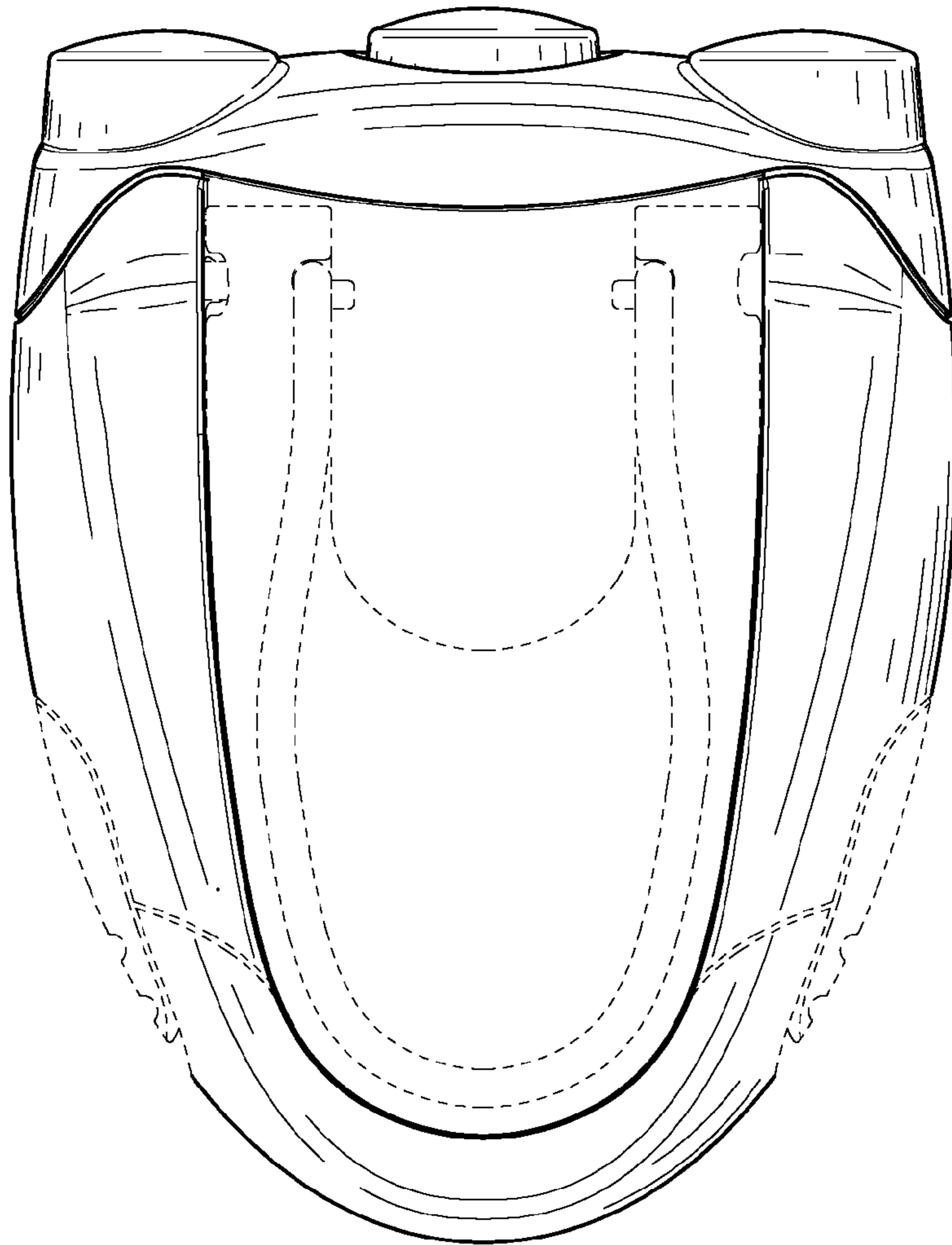
**Fig. 3**



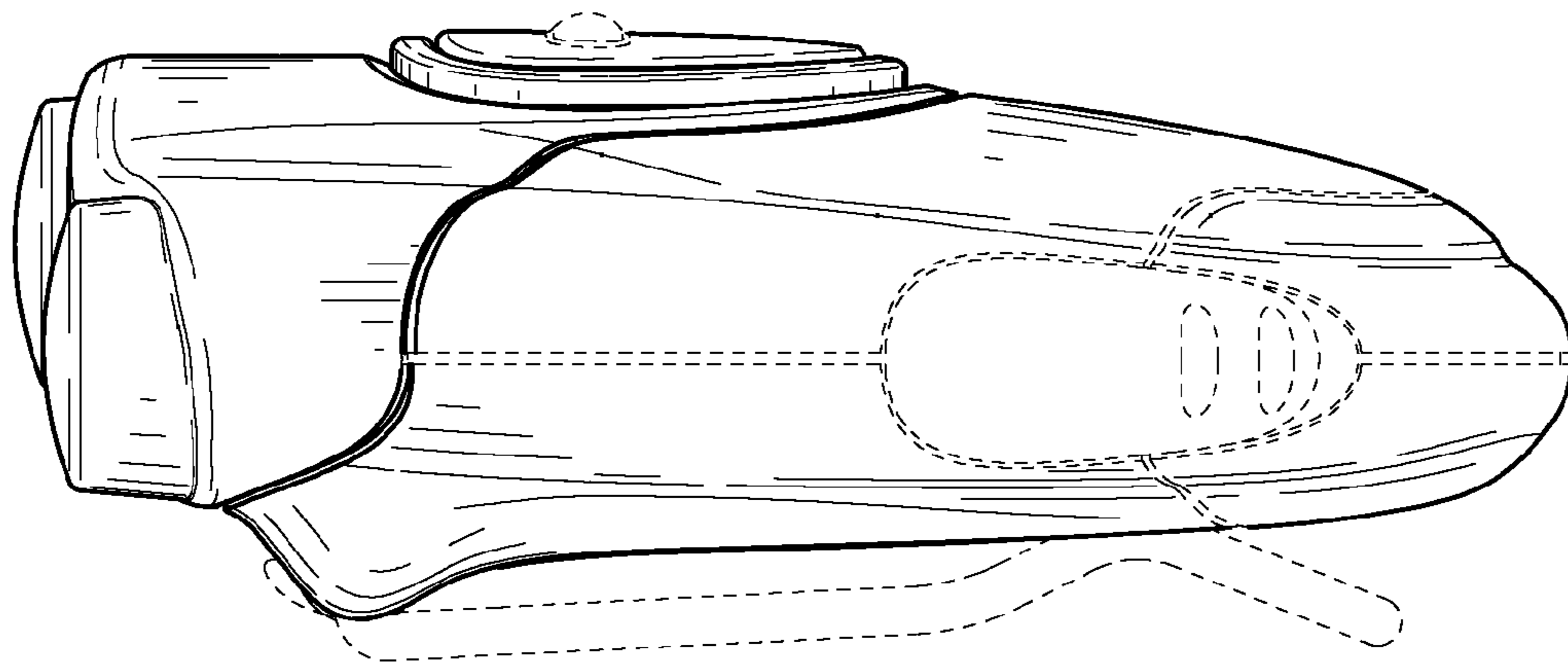
**Fig. 4**



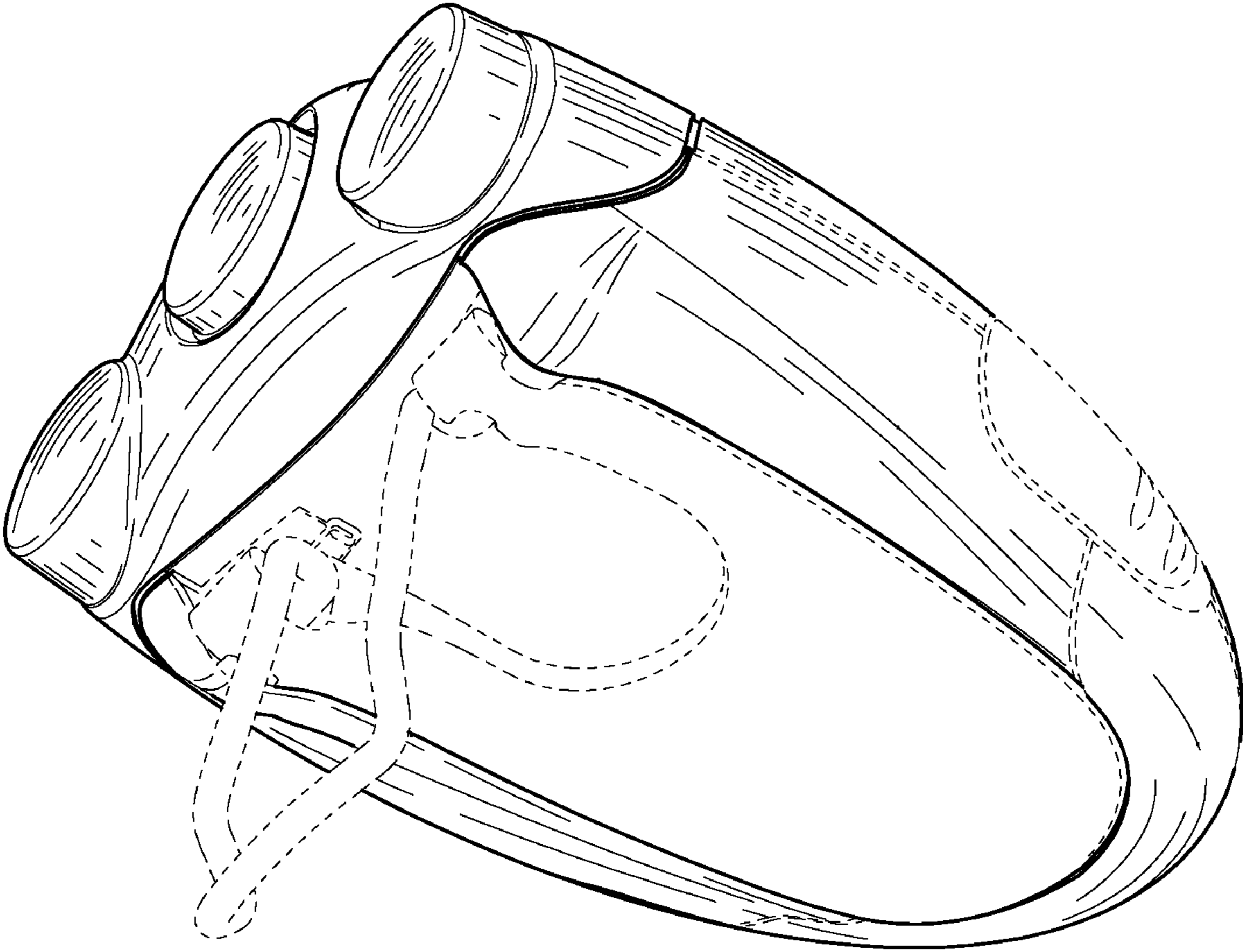
**Fig. 5**



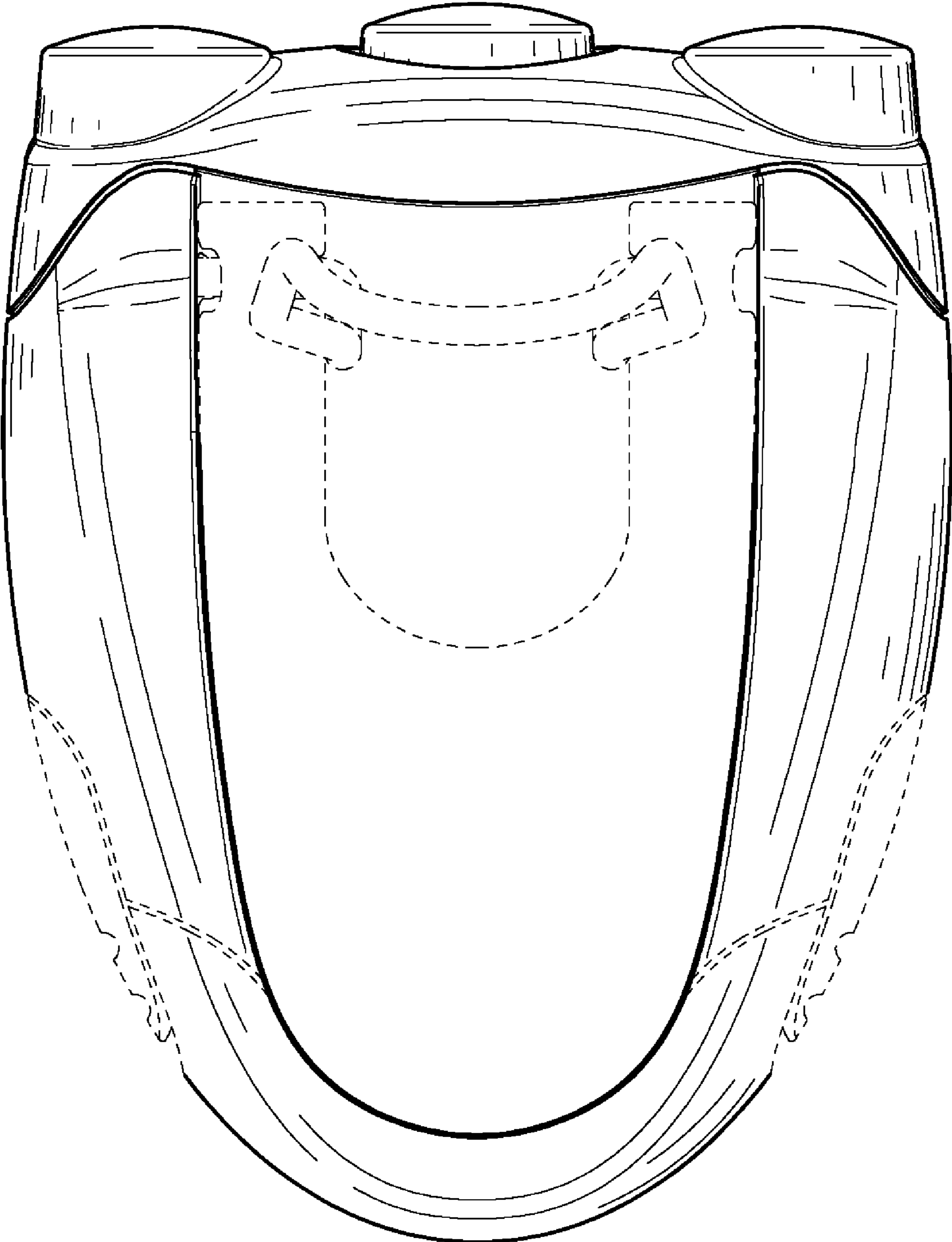
**Fig. 6**



**Fig. 7**



**Fig. 8**



**Fig. 9**