



US00D631586S

(12) **United States Design Patent**
Li

(10) **Patent No.:** **US D631,586 S**
(45) **Date of Patent:** **** Jan. 25, 2011**

(54) **FLASHLIGHT**

(76) **Inventor:** **Guangxi Li**, Floor 4-5, Building No. 2,
Wanxia Industrial Park, Huanghe Road,
Shajing Town, Bao'an District, Shenzhen
(CN)

(**) **Term:** **14 Years**

(21) **Appl. No.:** **29/361,587**

(22) **Filed:** **May 13, 2010**

(51) **LOC (9) Cl.** **26-02**

(52) **U.S. Cl.** **D26/37**

(58) **Field of Classification Search** D26/37,
D26/38, 39, 40, 41, 42, 44, 45, 46, 51; 362/157,
362/158, 183, 184, 171, 195-208, 253
See application file for complete search history.

(56) **References Cited**

U.S. PATENT DOCUMENTS

D284,707 S *	7/1986	Tanaka	D26/37
D311,780 S *	10/1990	Urquhart	D26/46
D356,172 S *	3/1995	Vance	D26/46
D439,688 S *	3/2001	Suzuki	D26/37
D453,580 S *	2/2002	Lynch et al.	D26/46
D475,149 S *	5/2003	Chun	D26/37
D544,619 S *	6/2007	Lee	D26/37

D554,781 S *	11/2007	Shiu	D26/37
D557,841 S *	12/2007	Lee	D26/37
D565,214 S *	3/2008	Lee	D26/37
D565,215 S *	3/2008	Lee	D26/37
D580,077 S *	11/2008	Sham	D26/37
D595,875 S *	7/2009	Irvine	D26/24

* cited by examiner

Primary Examiner—Charles A Rademaker
Assistant Examiner—Carissa C Fitts

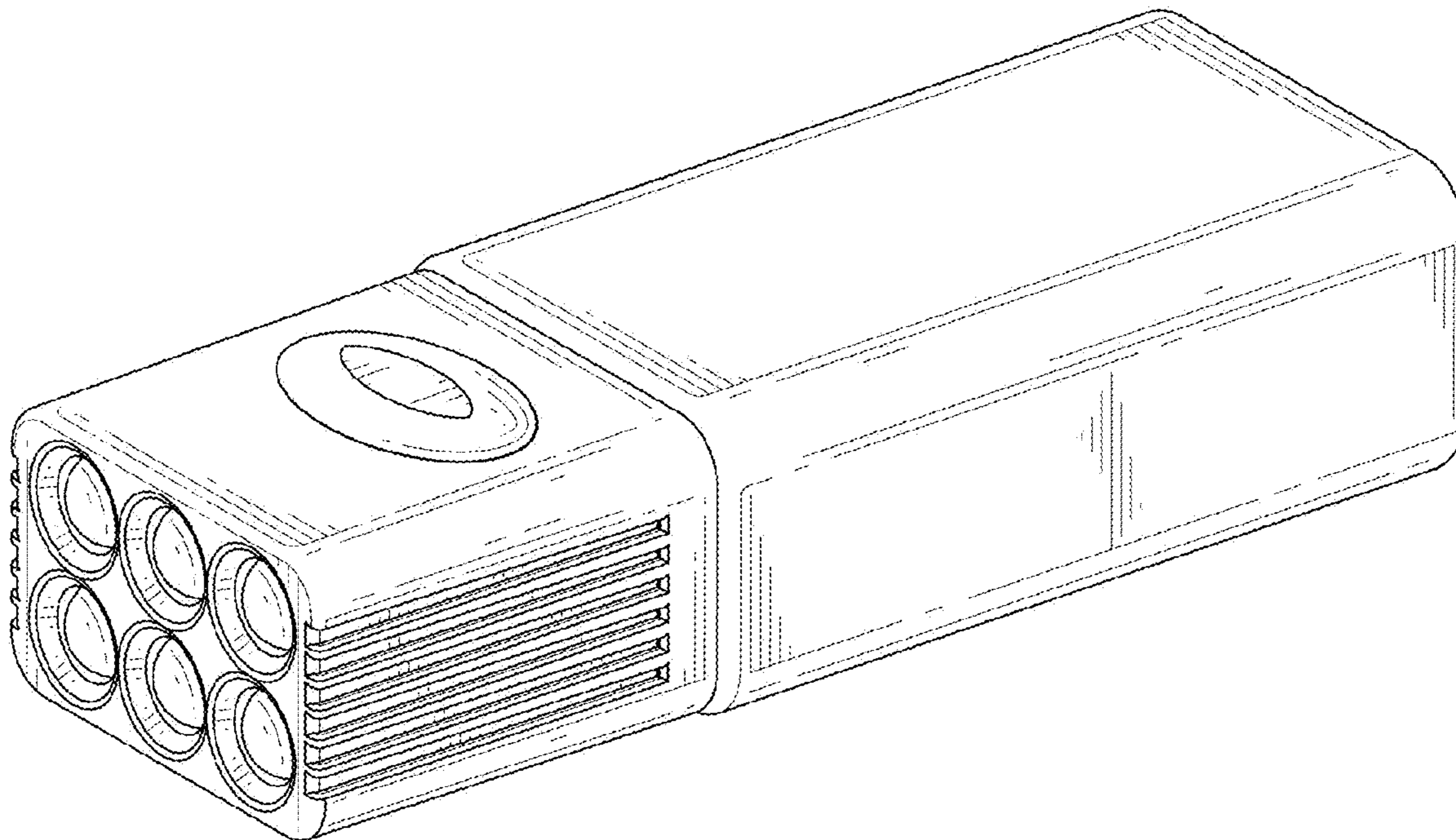
(57) **CLAIM**

The ornamental design for a flashlight, as shown and described.

DESCRIPTION

FIG. 1 is a front, top and right side perspective view of a flashlight showing our new design;
FIG. 2 is a front elevational view thereof;
FIG. 3 is a rear elevational view thereof;
FIG. 4 is a left side elevational view thereof;
FIG. 5 is a right side elevational view thereof;
FIG. 6 is a top plan view thereof; and,
FIG. 7 is a bottom plan view thereof.

1 Claim, 5 Drawing Sheets



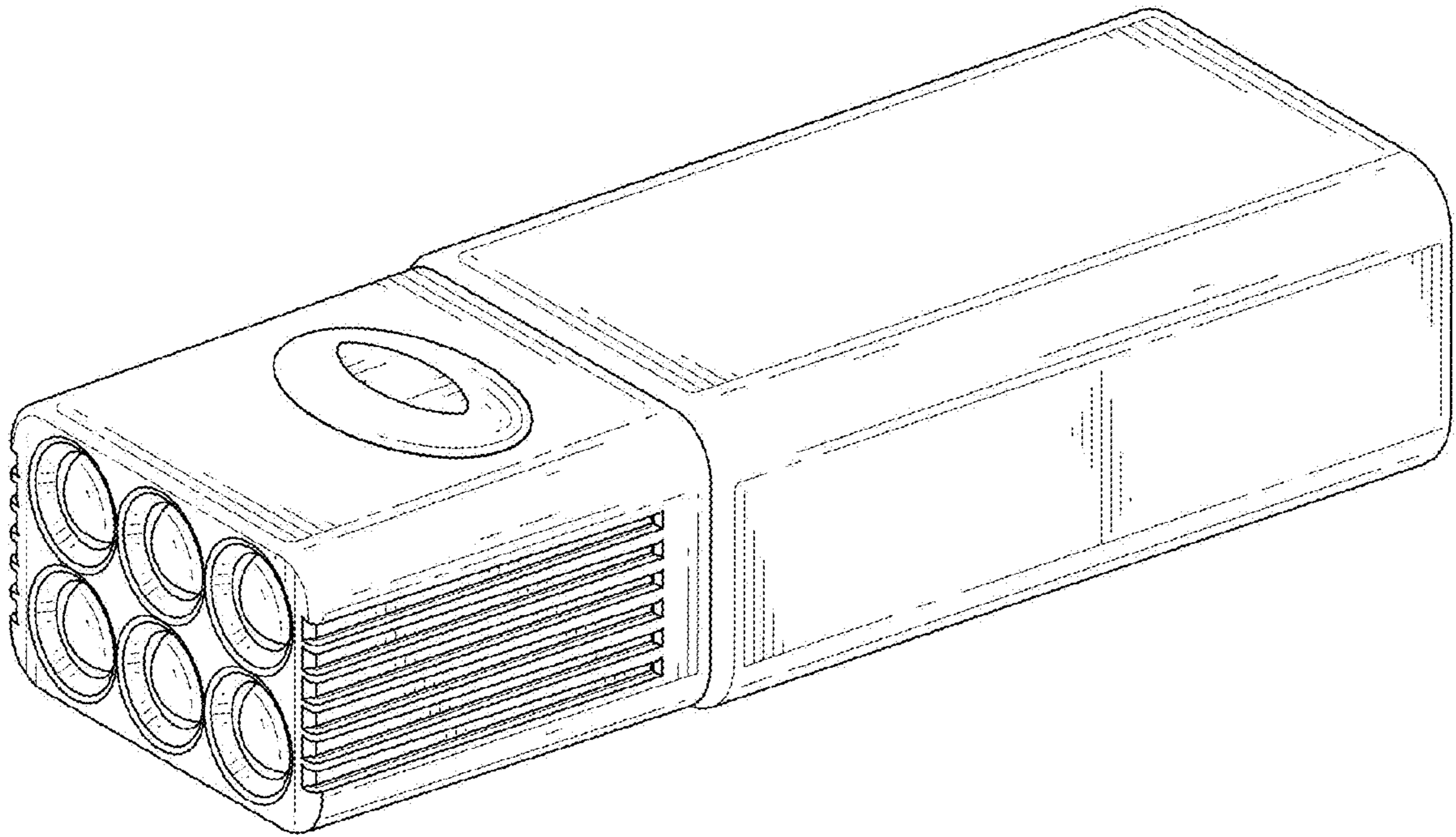


FIG. 1

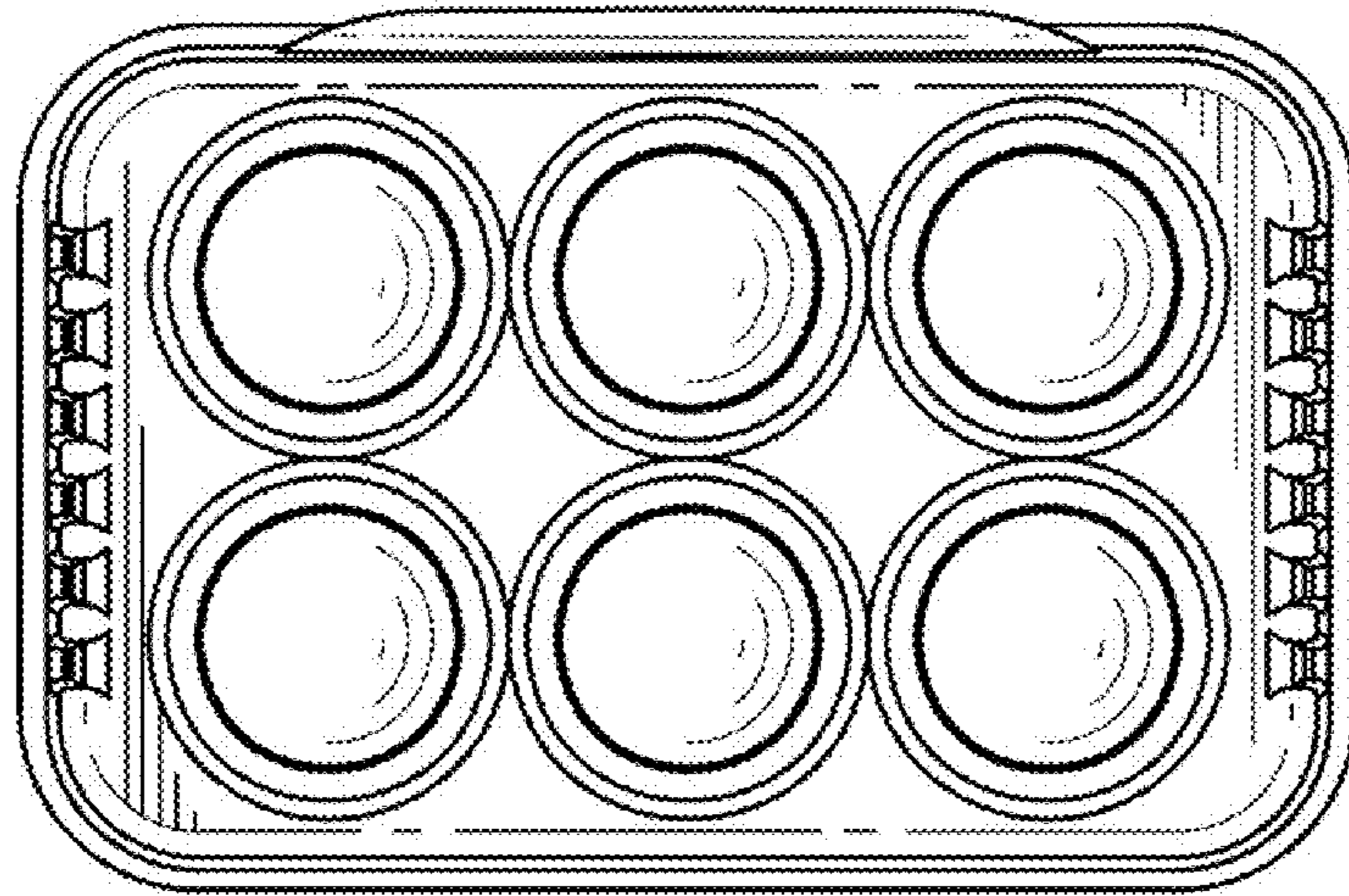


FIG. 2

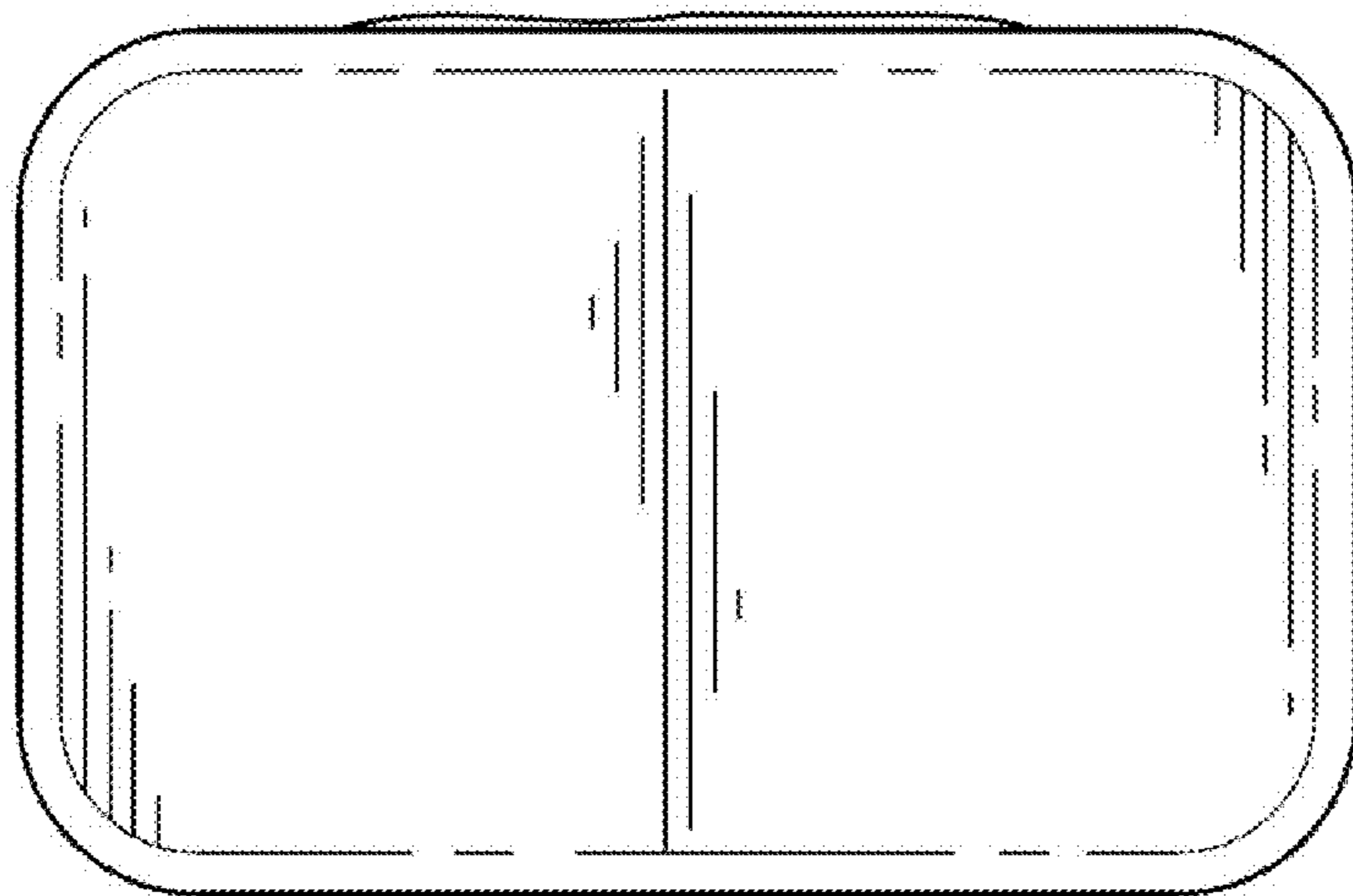


FIG. 3

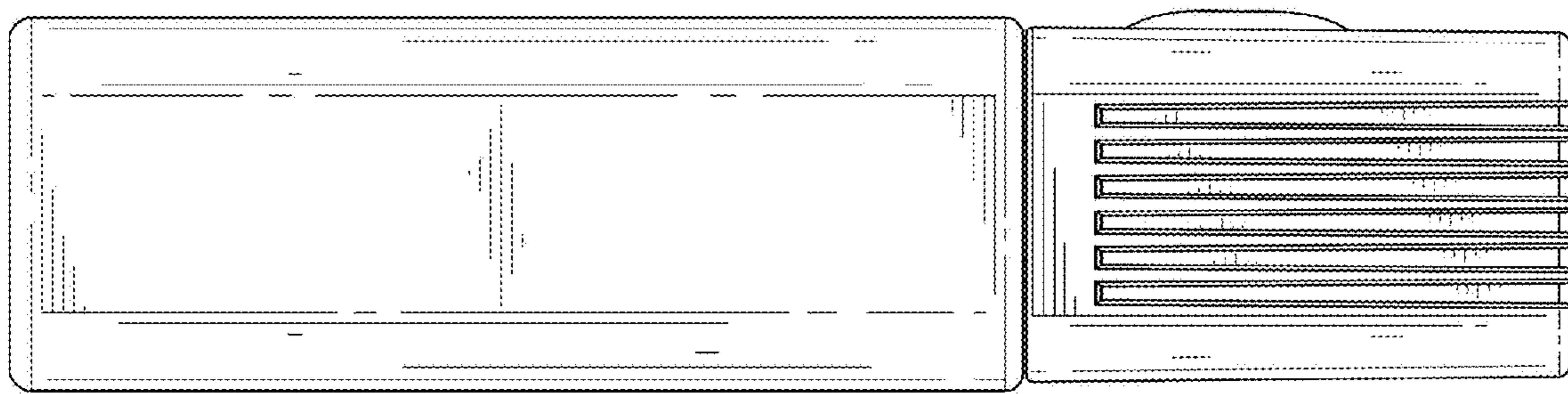


FIG. 4

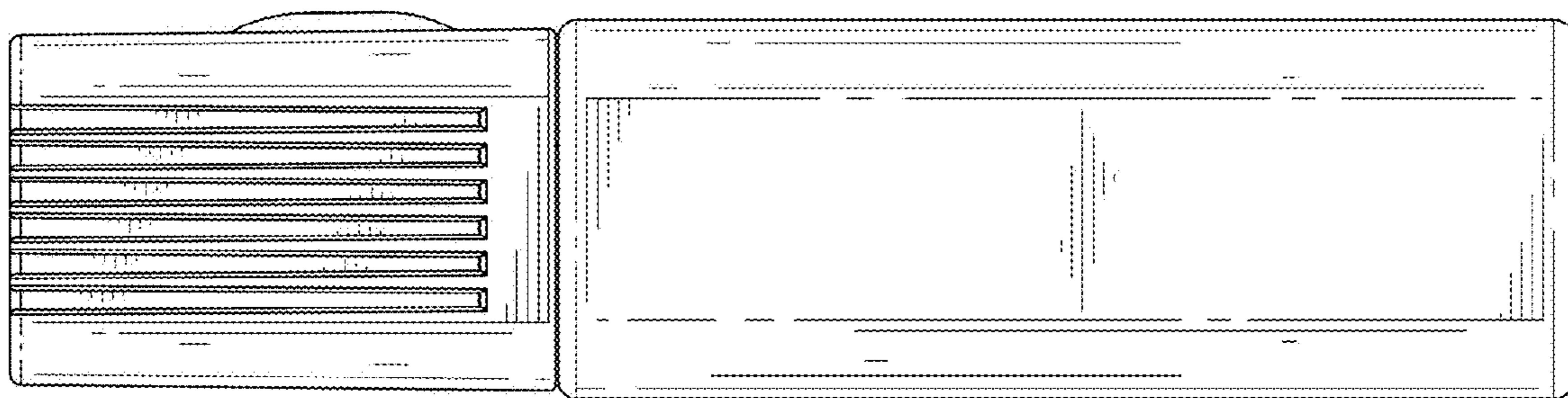


FIG. 5

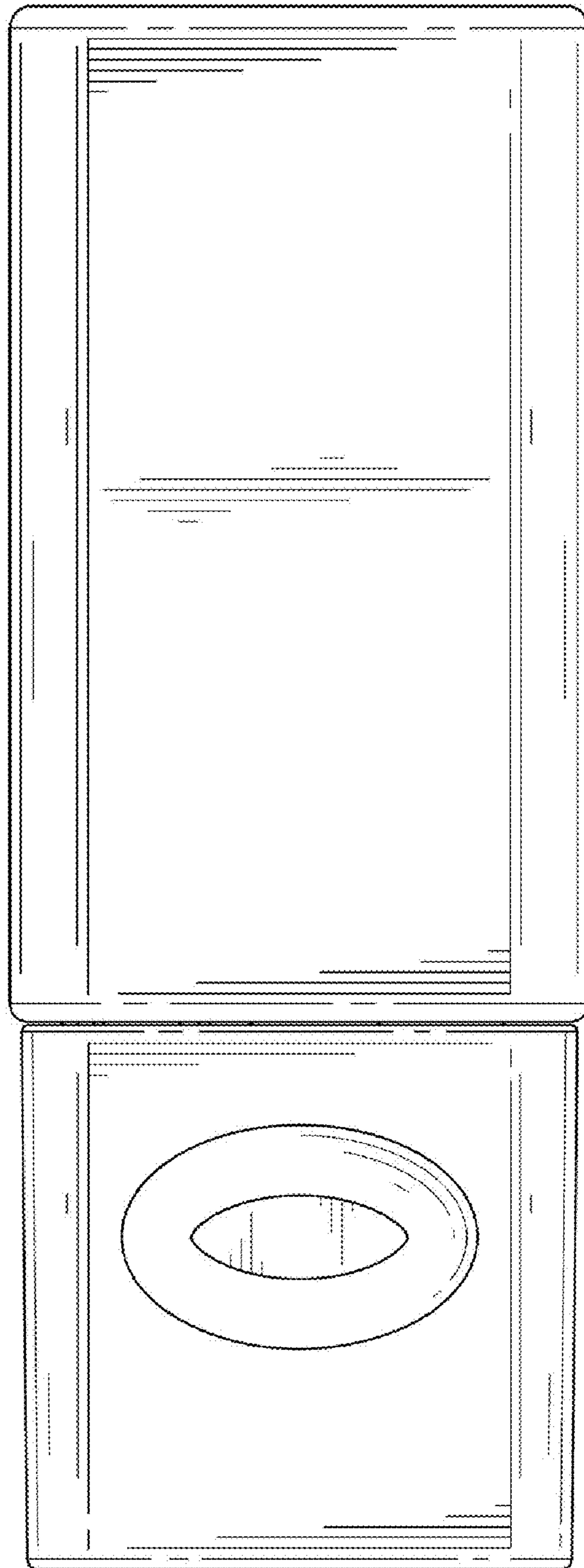


FIG. 6

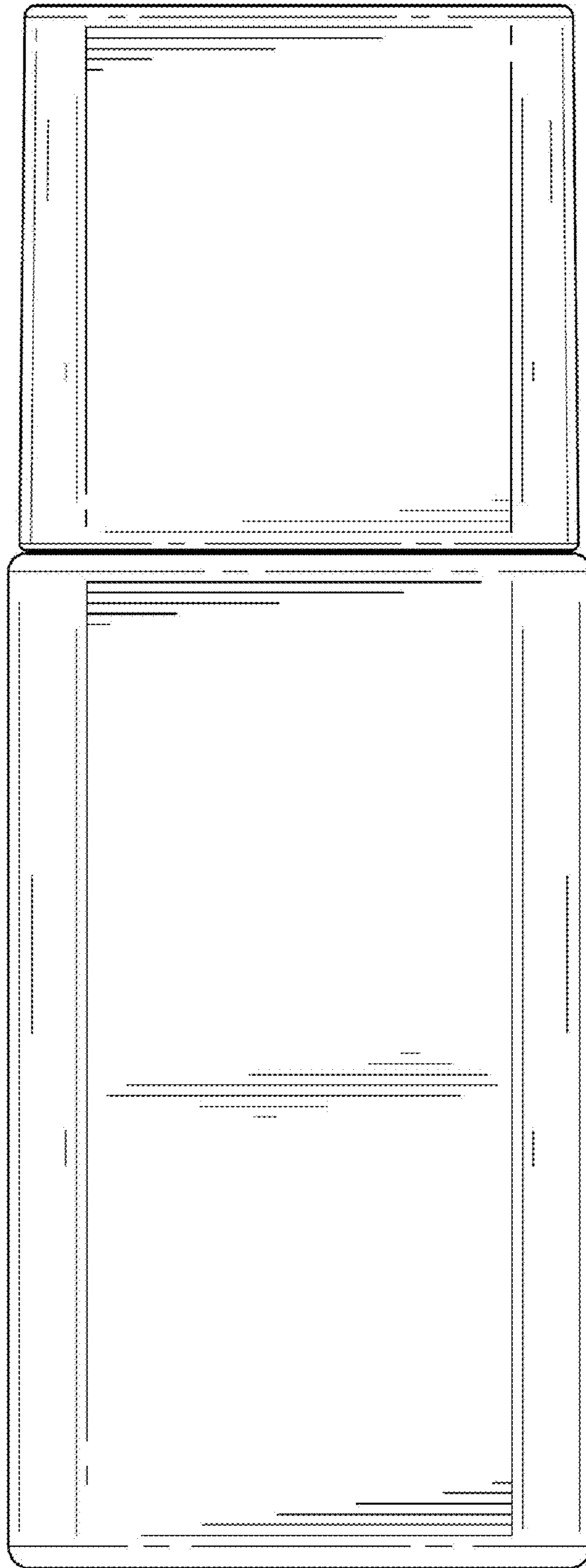


FIG. 7