

US00D631579S

(12) **United States Design Patent**
Franklin

(10) **Patent No.:** **US D631,579 S**

(45) **Date of Patent:** **** *Jan. 25, 2011**

(54) **CANDLE HOLDER**

(76) Inventor: **Damon L. Franklin**, 8917 221st St.,
Queens Village, NY (US) 11427

(*) Notice: This patent is subject to a terminal disclaimer.

(**) Term: **14 Years**

(21) Appl. No.: **29/355,660**

(22) Filed: **Feb. 11, 2010**

(51) **LOC (9) Cl.** **26-01**

(52) **U.S. Cl.** **D26/22**

(58) **Field of Classification Search** D26/1-23,
D26/114-137; D11/117; 428/7-11; 431/291,
431/311, 320, 298, 288; 362/161-163, 351,
362/569, 392

See application file for complete search history.

(56) **References Cited**

U.S. PATENT DOCUMENTS

215,449 A	5/1879	Gillig	
273,103 A	2/1883	Keibel	
388,894 A	9/1888	Masson-Chevallier	
516,330 A	3/1894	Hepburn	
571,338 A	11/1896	Castleden	
738,571 A	9/1903	Rasmussen	
812,248 A	2/1906	Wilde	
963,826 A	7/1910	Stonebridge	
1,082,896 A	12/1913	Neill	
1,480,941 A	1/1924	Le Tang	
1,609,130 A	11/1926	Schacht	
1,746,966 A	2/1930	Purcell	
2,080,251 A	5/1937	Buskard	
2,162,853 A *	6/1939	Massey	229/5.5
2,462,440 A	2/1949	Tierney	
2,735,285 A	2/1956	Ferleger	
2,997,199 A	8/1961	Reachi	
D192,259 S	2/1962	Le Baron	
D203,629 S *	2/1966	Brock	D9/780
3,368,693 A	2/1968	Bochory	
3,466,135 A	9/1969	Summers	

3,781,428 A *	12/1973	Hennart et al.	514/136
3,867,625 A	2/1975	Whalen	
4,102,323 A *	7/1978	Pritz	126/261
4,224,017 A	9/1980	Kayne	
4,260,365 A	4/1981	Kayne	
D262,999 S	2/1982	Spencer	
D266,594 S	10/1982	Sarpaneva	

(Continued)

OTHER PUBLICATIONS

International Search Report from PCT/US2009/001934.

Primary Examiner—T. Chase Nelson

Assistant Examiner—Ania K Dworzecka

(74) *Attorney, Agent, or Firm*—Brad M. Behar & Associates, PLLC; Brad M. Behar

(57) **CLAIM**

The ornamental design for a candle holder, as shown and described.

DESCRIPTION

FIG. 1 is a front perspective view of an embodiment of a candle holder showing my new design;

FIG. 2 is a front elevation view thereof, the back and side views being mirror images thereof;

FIG. 3 is a top plan view thereof;

FIG. 4 is a bottom plan view thereof;

FIG. 5 is a cross sectional view along the longitudinal axis thereof;

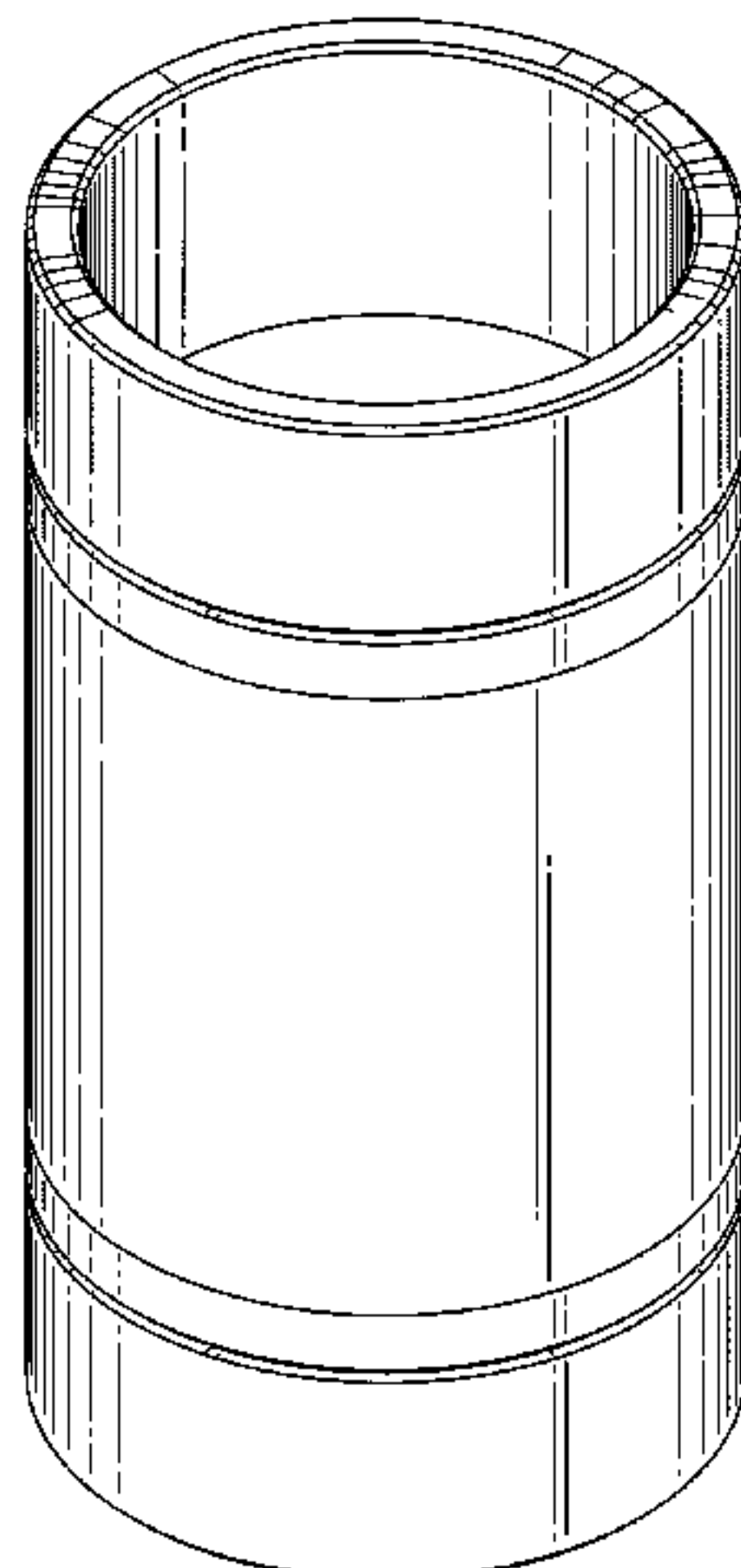
FIG. 6 is a front perspective view of another embodiment of a candle holder showing my new design;

FIG. 7 is a front elevation view thereof, the back and side views being mirror images thereof;

FIG. 8 is a top plan view thereof; and,

FIG. 9 is a bottom plan view thereof.

1 Claim, 9 Drawing Sheets



US D631,579 S

Page 2

U.S. PATENT DOCUMENTS

D269,638 S *	7/1983	Frye et al.	D26/9	6,550,936 B2	4/2003	Foley	
4,392,191 A	7/1983	White, Sr.		D482,465 S	11/2003	Slomowitz	
D271,056 S	10/1983	Perkins		D485,624 S	1/2004	Kitamura	
4,551,794 A	11/1985	Sandell		6,709,266 B2	3/2004	Jensen	
4,797,090 A	1/1989	Rogers		D489,985 S *	5/2004	Kanoun	D9/500
4,839,784 A	6/1989	Lin		6,799,965 B1	10/2004	Gaudio	
4,955,807 A	9/1990	Chance et al.		6,892,883 B1 *	5/2005	Brumfield et al.	206/459.5
D313,479 S	1/1991	Goldberg		6,960,076 B2	11/2005	Yu	
5,101,328 A	3/1992	Hai		7,011,425 B2	3/2006	Micela, Jr. et al.	
5,226,558 A *	7/1993	Whitney et al.	220/571	D521,160 S	5/2006	Garthaffner	
5,292,245 A	3/1994	Spoonhour		7,070,409 B1	7/2006	Varrieur	
D347,767 S *	6/1994	Patterson	D7/608	7,090,369 B1	8/2006	Jordan	
D357,085 S	4/1995	Ratia		D530,375 S *	10/2006	McKnight	D19/85
D376,284 S *	12/1996	Keeley	D6/520	7,159,994 B2	1/2007	Schnuckle et al.	
5,613,760 A	3/1997	Dunn		7,175,298 B2	2/2007	Schou	
5,673,802 A	10/1997	Valentino		D537,882 S *	3/2007	McKnight	D19/85
5,688,040 A	11/1997	Klees		D542,429 S	5/2007	Keith	
D388,893 S	1/1998	Acosta		D542,437 S *	5/2007	Snow	D26/22
D397,460 S	8/1998	Chambers et al.		7,214,054 B2	5/2007	Boulachanis	
5,791,774 A *	8/1998	Briles	362/392	7,229,280 B2	6/2007	Kubicek et al.	
5,803,587 A	9/1998	Chen		7,278,765 B2	10/2007	Cooper et al.	
D400,989 S	11/1998	Chen		7,287,978 B2	10/2007	Kubicek et al.	
D401,147 S	11/1998	Miller		7,318,724 B2	1/2008	Kubicek et al.	
5,879,151 A	3/1999	Schultz et al.		D572,084 S *	7/2008	Blake	D7/513
5,951,278 A	9/1999	Young et al.		7,442,036 B2	10/2008	Kubicek et al.	
5,980,241 A	11/1999	Schirneker		D581,506 S *	11/2008	Kelnhofer	D23/360
6,017,139 A *	1/2000	Lederer	362/394	D583,451 S *	12/2008	Aloe et al.	D23/366
6,073,868 A *	6/2000	Stevens et al.	242/118.32	D583,452 S *	12/2008	Aloe et al.	D23/366
6,113,048 A	9/2000	Shire		D584,431 S	1/2009	Meise et al.	
6,129,771 A *	10/2000	Ficke et al.	44/275	D587,584 S *	3/2009	Jaichandra et al.	D9/517
D434,980 S *	12/2000	Suzuki	D9/418	2004/0032733 A1	2/2004	Gabriel et al.	
6,224,241 B1	5/2001	Oswald		2006/0093980 A1	5/2006	Kubicek et al.	
D447,256 S	8/2001	Ratia		2007/0059656 A1	3/2007	Chang	
D451,183 S *	11/2001	Hirano et al.	D23/366	2007/0159844 A1 *	7/2007	Wang	362/569
D452,750 S *	1/2002	Habibi et al.	D27/138	2007/0287117 A1	12/2007	Chang	
6,454,561 B1	9/2002	Colthar et al.		2009/0067164 A1 *	3/2009	Ambroggio et al.	362/161

* cited by examiner

FIG. 1

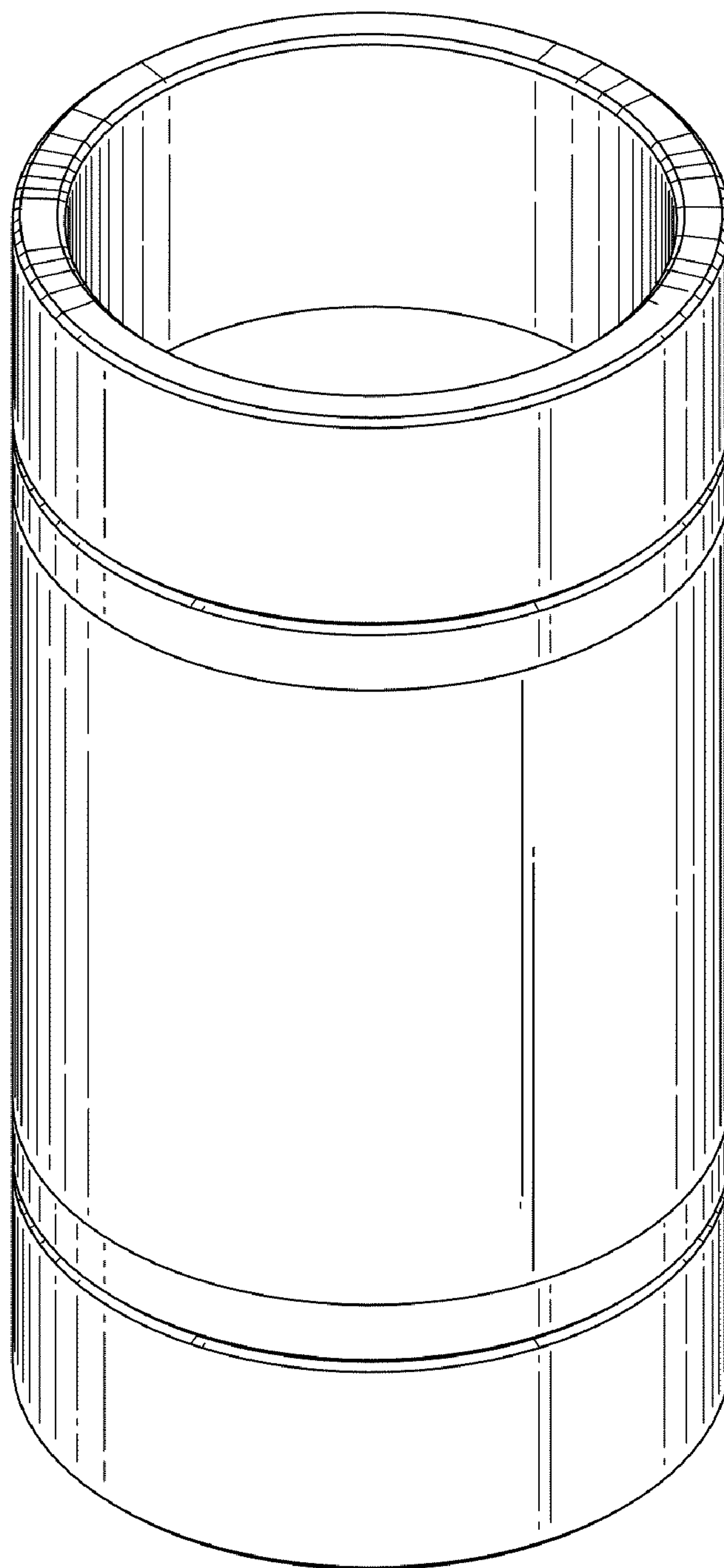


FIG. 2

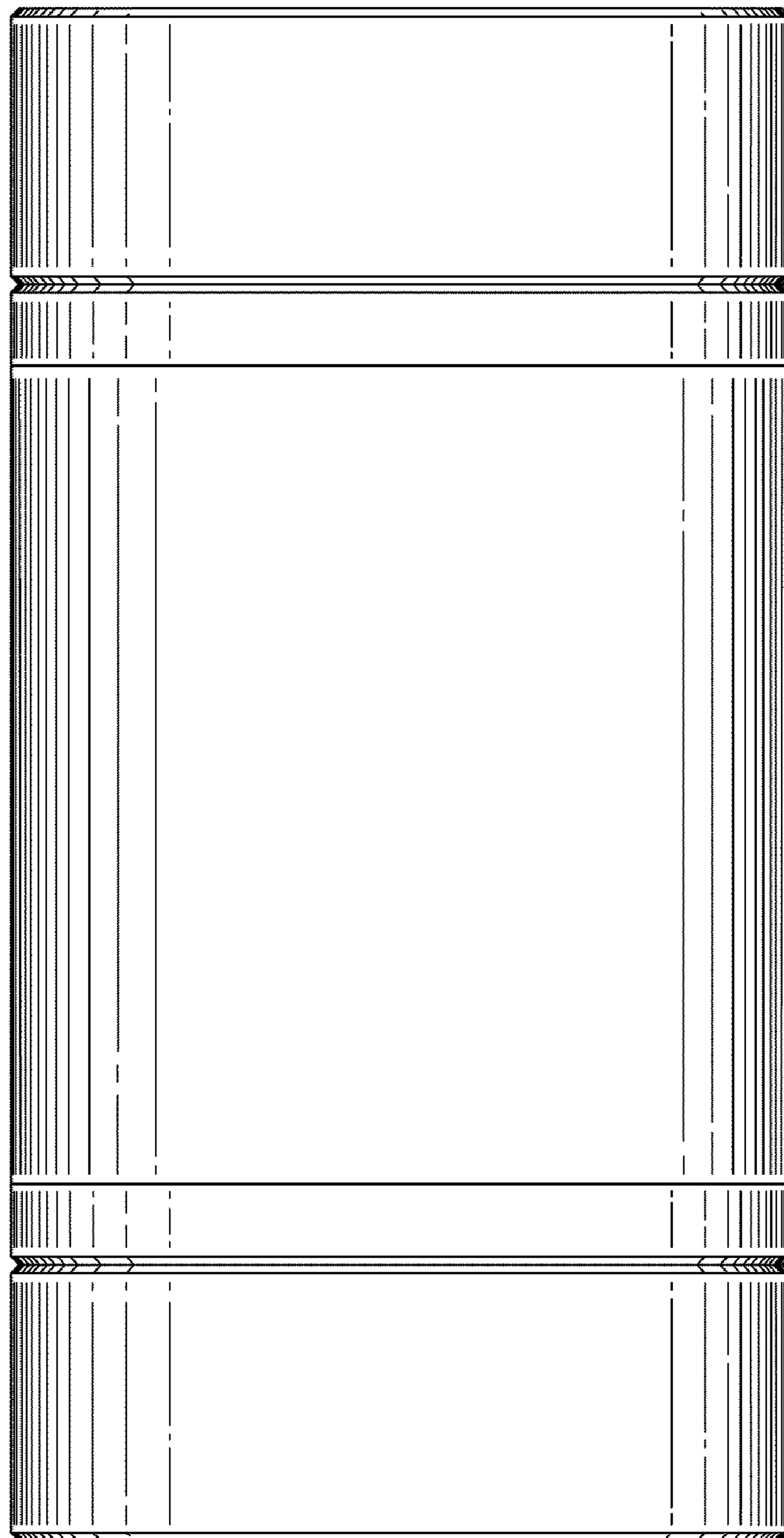


FIG. 3

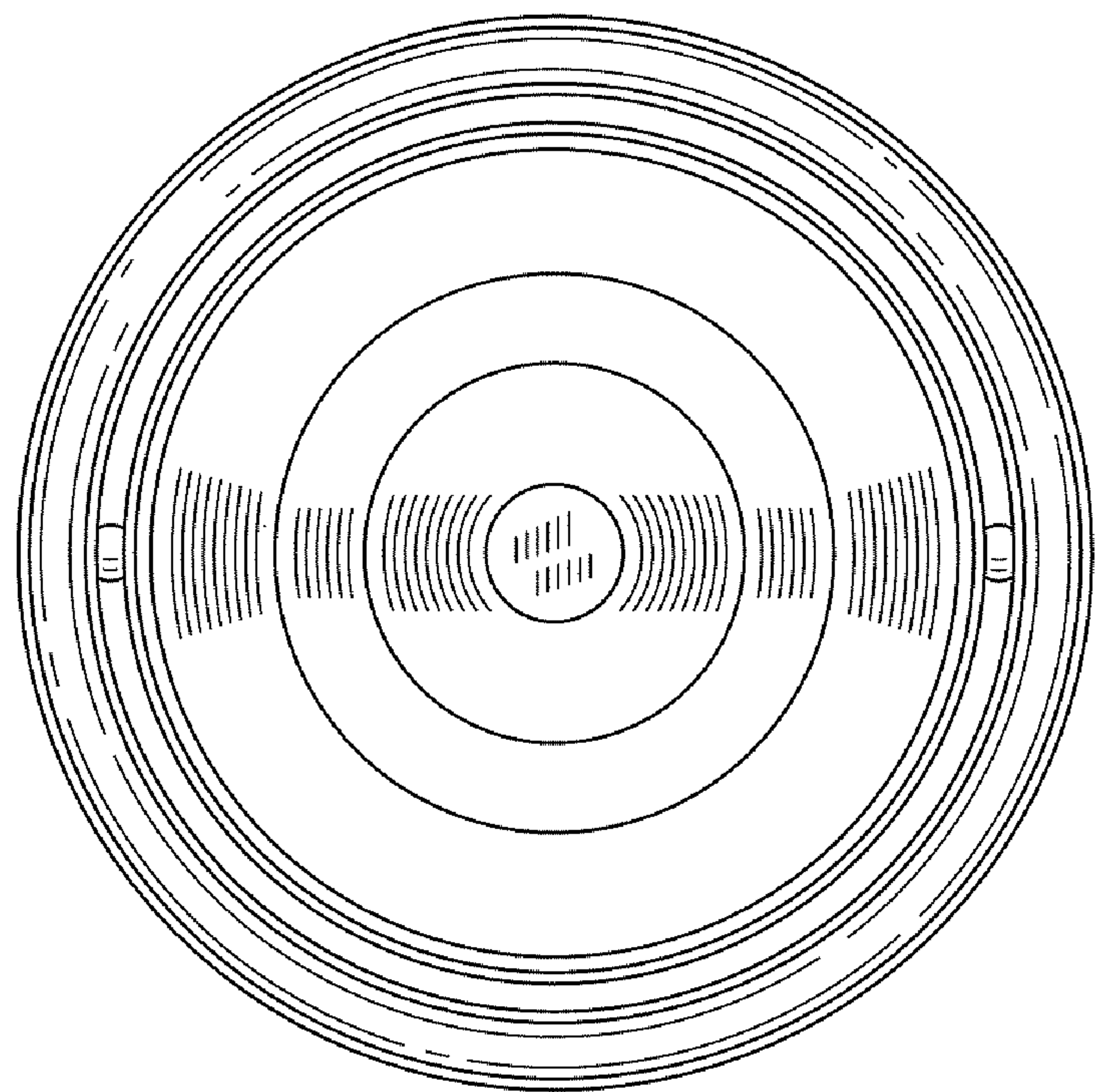


FIG. 4

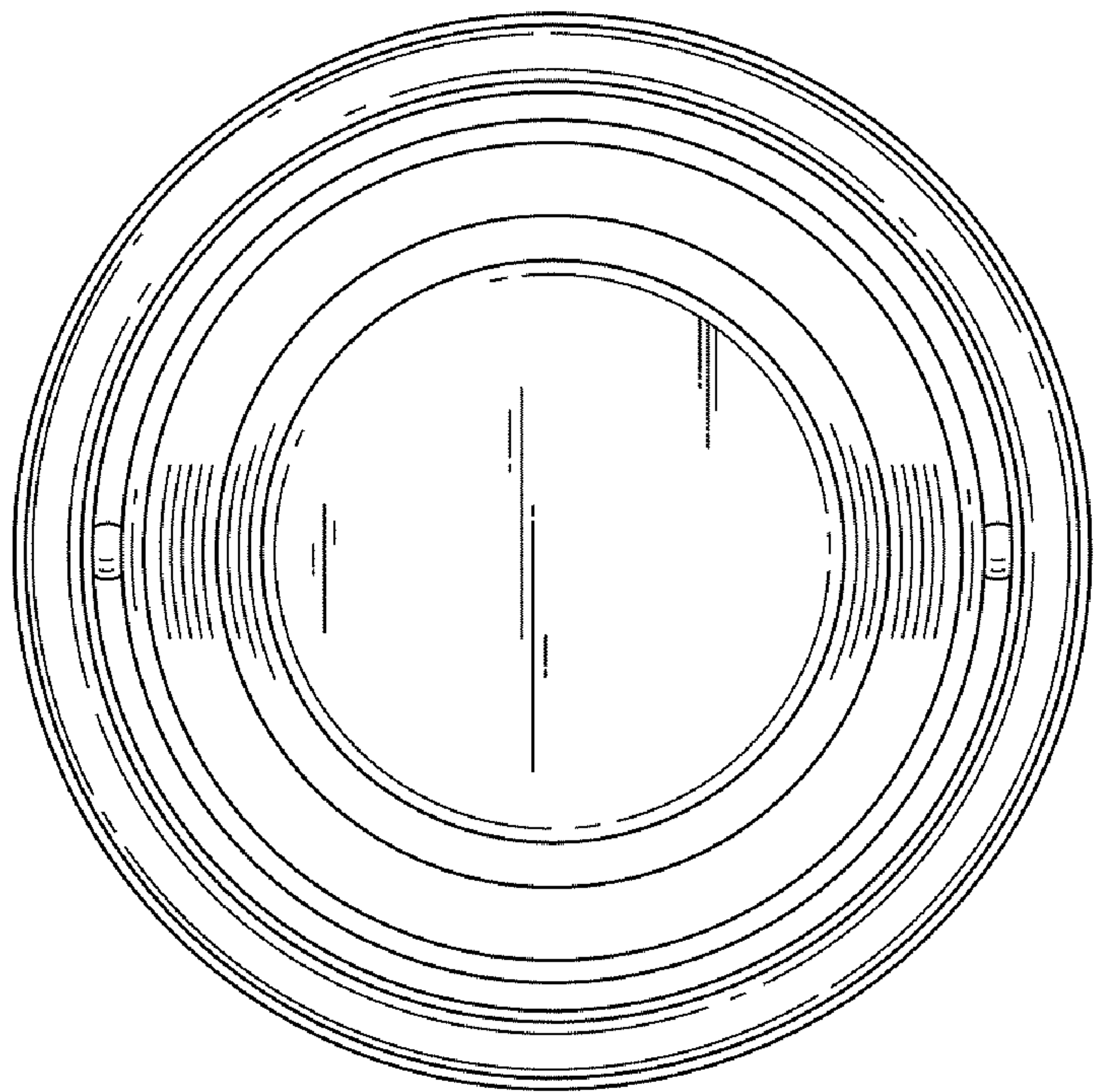


FIG. 5

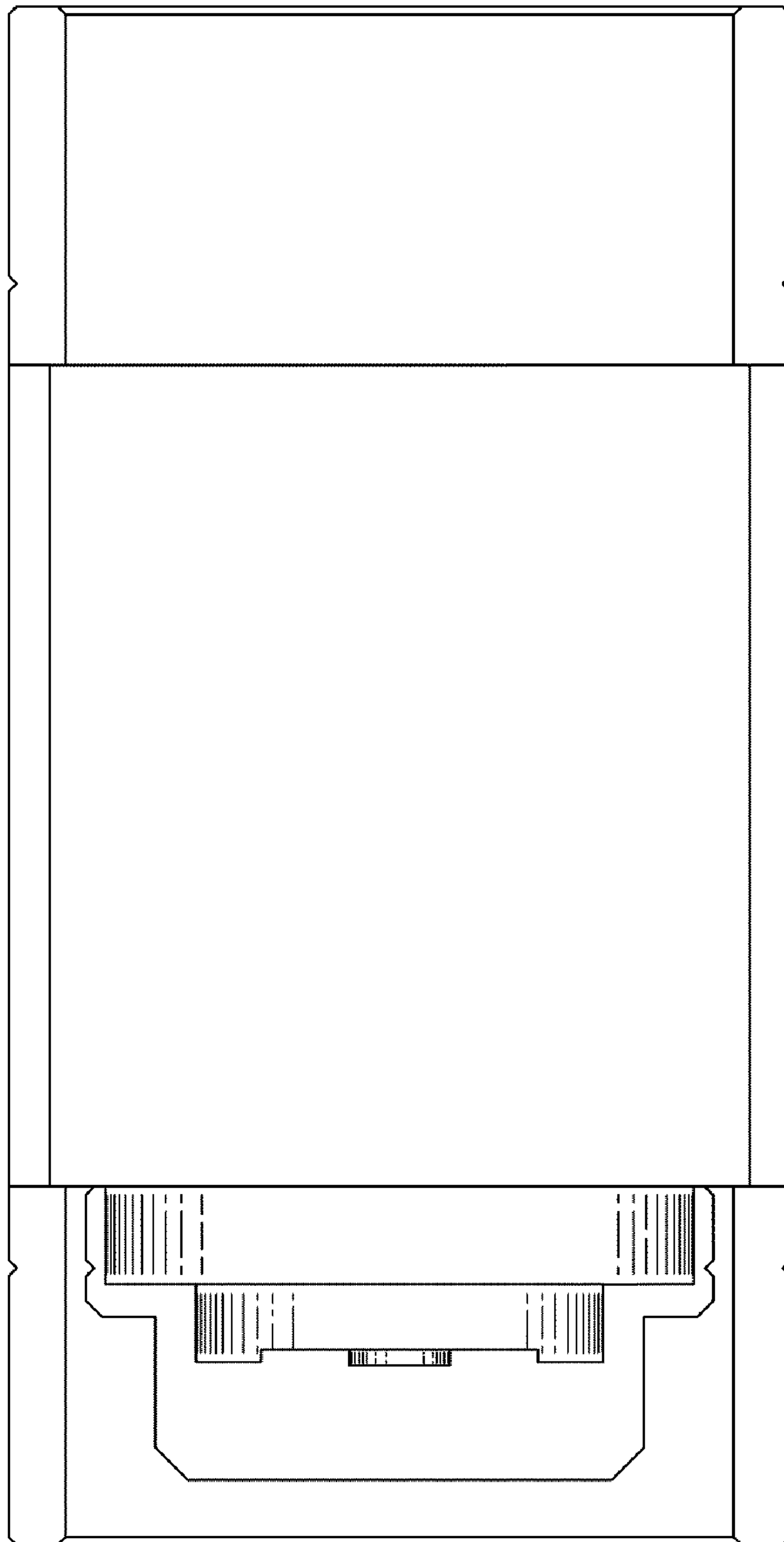


FIG. 6

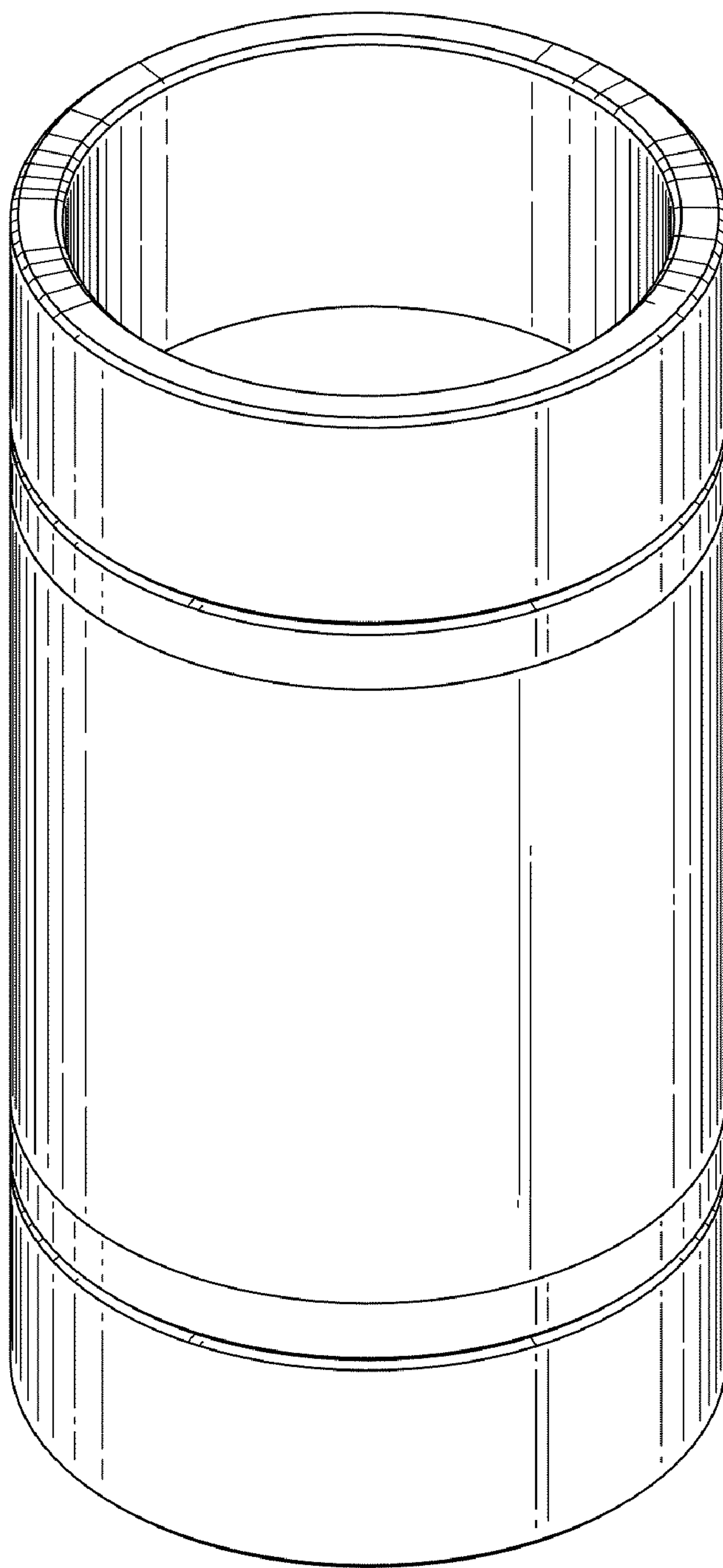


FIG. 7

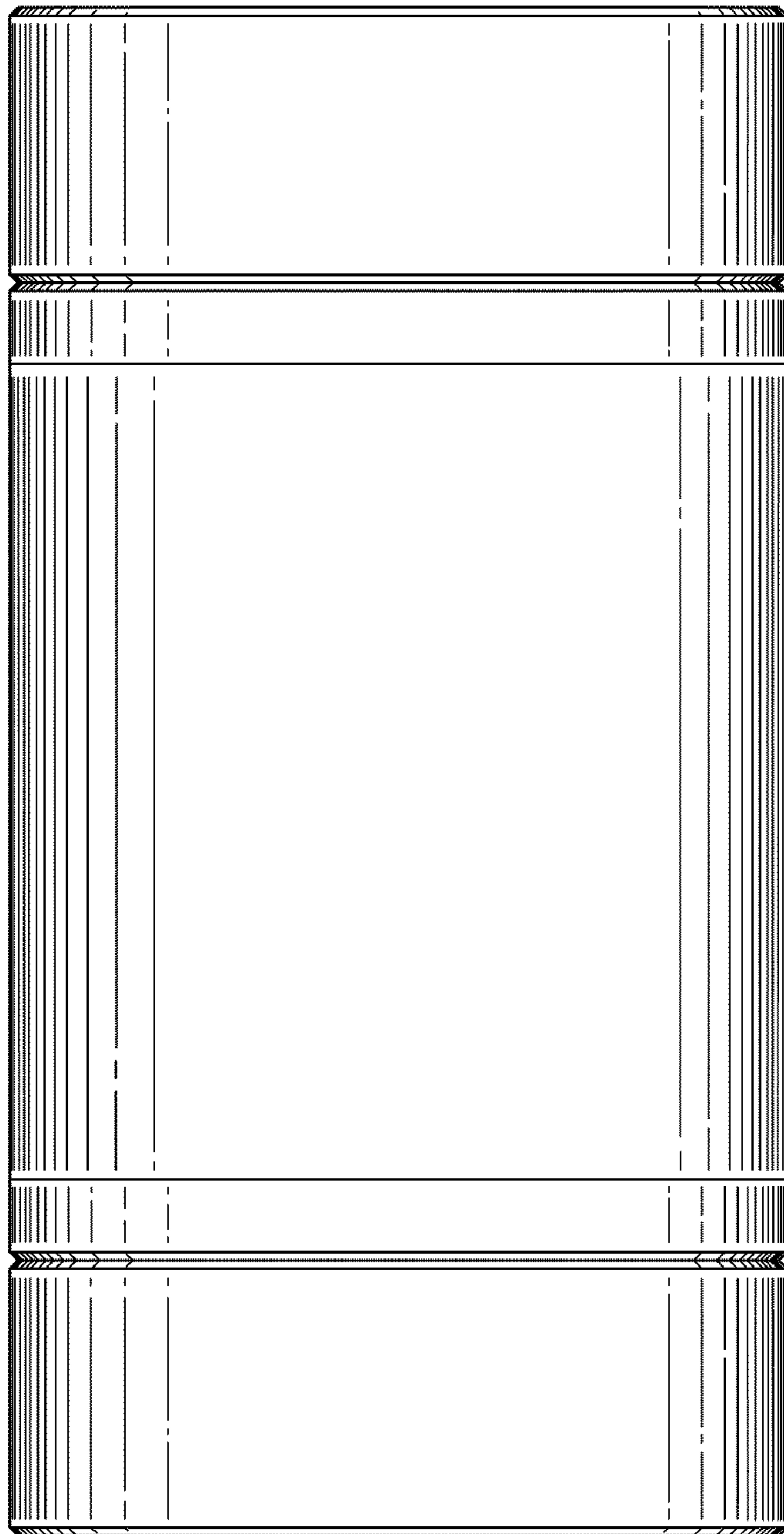


FIG. 8

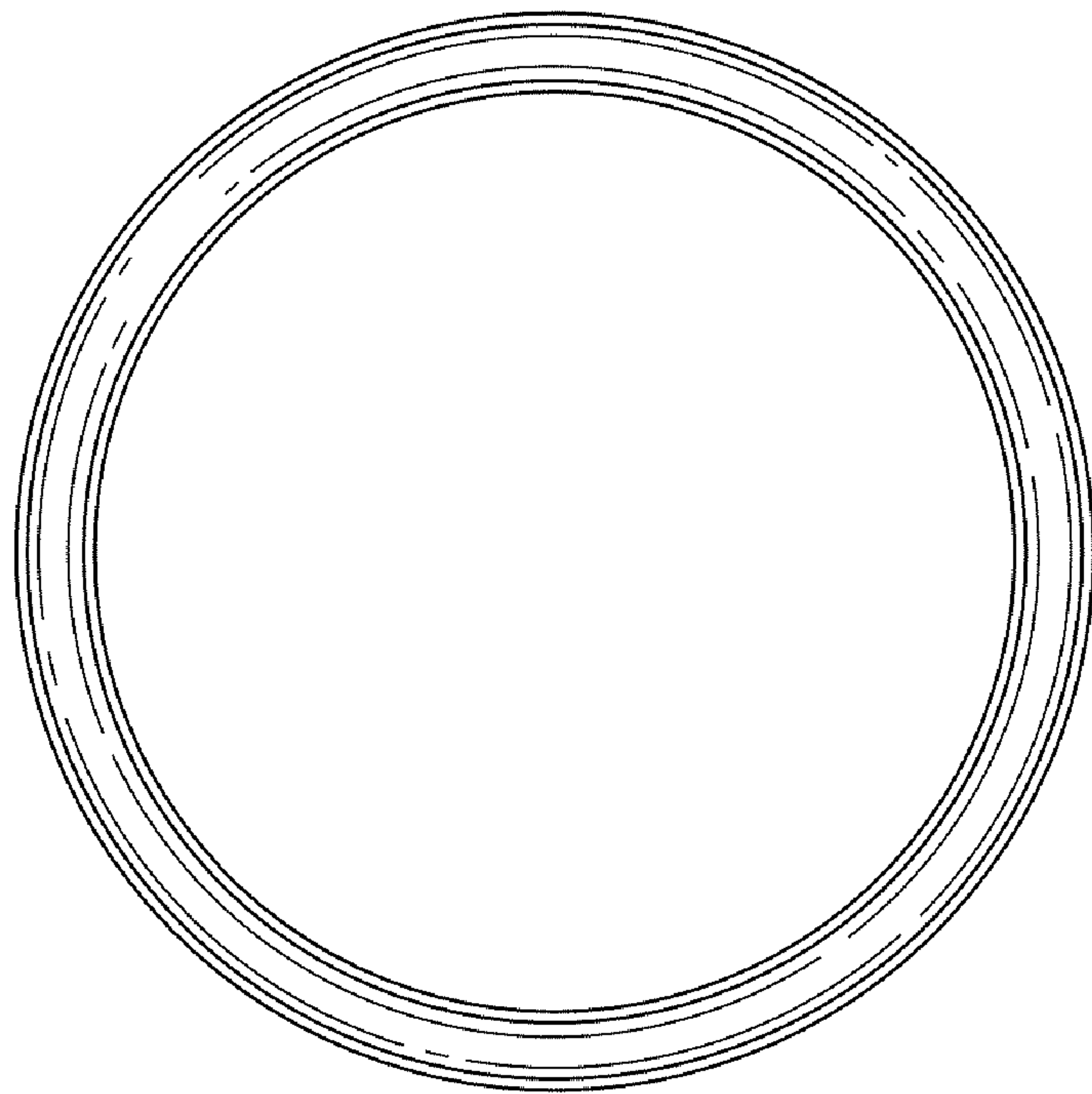


FIG. 9

