

US00D631576S

(12) **United States Design Patent**
Yoshinobu et al.

(10) **Patent No.:** **US D631,576 S**

(45) **Date of Patent:** **** Jan. 25, 2011**

(54) **LIGHT EMITTING DIODE LAMP**

(75) Inventors: **Masayuki Yoshinobu**, Kanagawa (JP);
Aiko Hiraga, Kanagawa (JP);
Jiann-Hung Lee, Taipei (TW)

(73) Assignees: **Toshiba Lightin & Technology Corporation**, Kanagawa (JP);
Kabushiki Kaisha Toshiba, Tokyo (JP)

(**) Term: **14 Years**

(21) Appl. No.: **29/363,865**

(22) Filed: **Jun. 15, 2010**

(30) **Foreign Application Priority Data**

Dec. 24, 2009 (JP) 2009-029964

(51) **LOC (9) Cl.** **26-04**

(52) **U.S. Cl.** **D26/2**

(58) **Field of Classification Search** D26/1-4;
313/313, 315, 316, 317, 318, 493; 315/52,
315/53, 56, 57, 58

See application file for complete search history.

(56) **References Cited**

U.S. PATENT DOCUMENTS

D584,428 S * 1/2009 Li et al. D26/2
D587,384 S * 2/2009 Wei D26/2
D592,766 S * 5/2009 Zhu et al. D26/2

D601,275 S * 9/2009 Ho et al. D26/2
D607,587 S * 1/2010 Ko D26/2
D610,275 S * 2/2010 Cho D26/2
D612,956 S * 3/2010 Moon D26/2
D613,433 S * 4/2010 Moon D26/2

FOREIGN PATENT DOCUMENTS

EM D001059042-0001 1/2009
JP D1376370 12/2009

* cited by examiner

Primary Examiner—Marcus A Jackson

(74) *Attorney, Agent, or Firm*—J.C. Patents

(57) **CLAIM**

The ornamental design for a light emitting diode lamp, as shown and described.

DESCRIPTION

FIG. 1 is a perspective view of a light emitting diode lamp showing our new design;

FIG. 2 is a front view thereof;

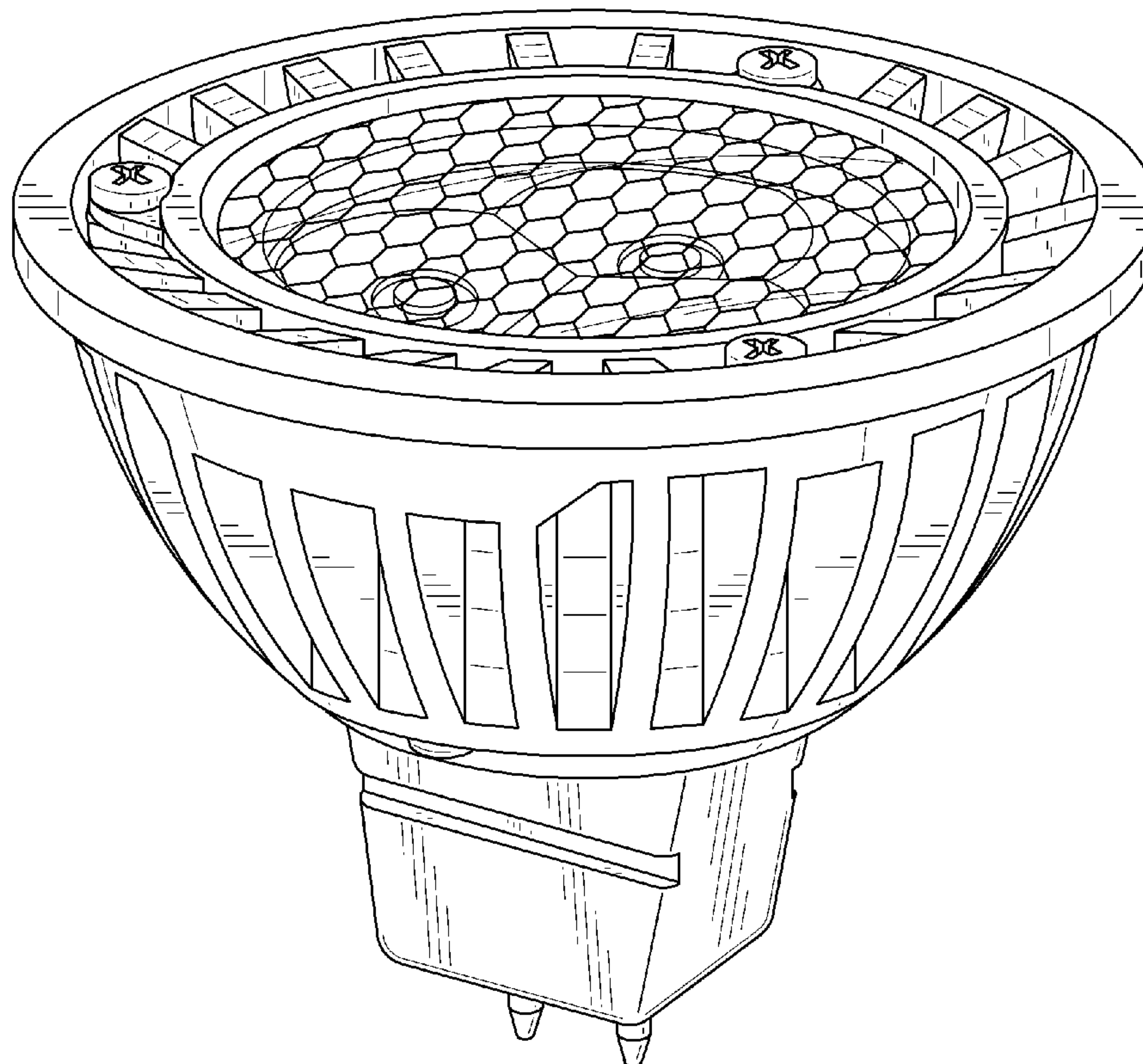
FIG. 3 is a rear view thereof;

FIG. 4 is a right side view thereof, the left side view being a mirror image of the right side view;

FIG. 5 is a top view thereof; and,

FIG. 6 is a bottom view thereof.

1 Claim, 6 Drawing Sheets



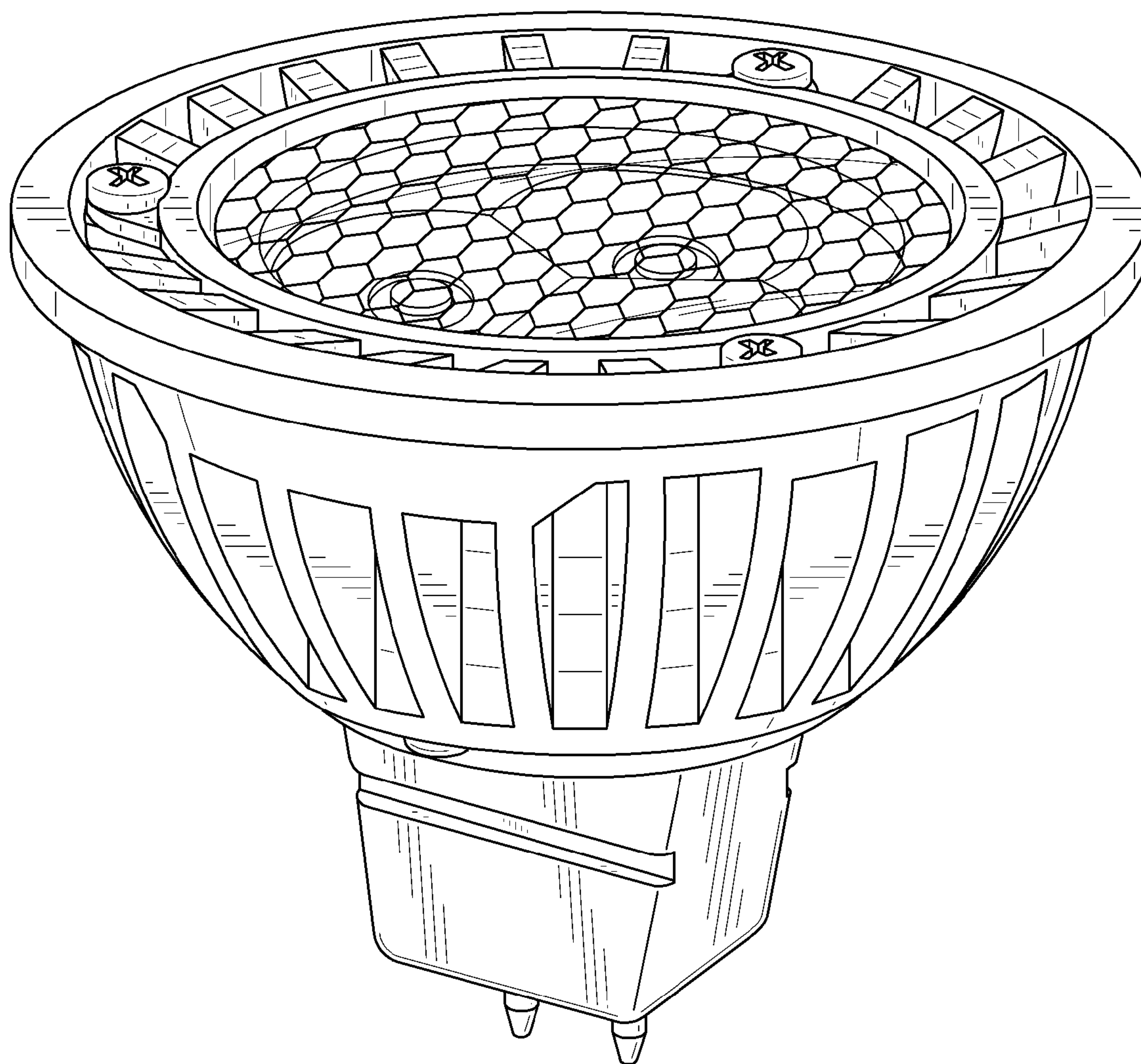


FIG. 1

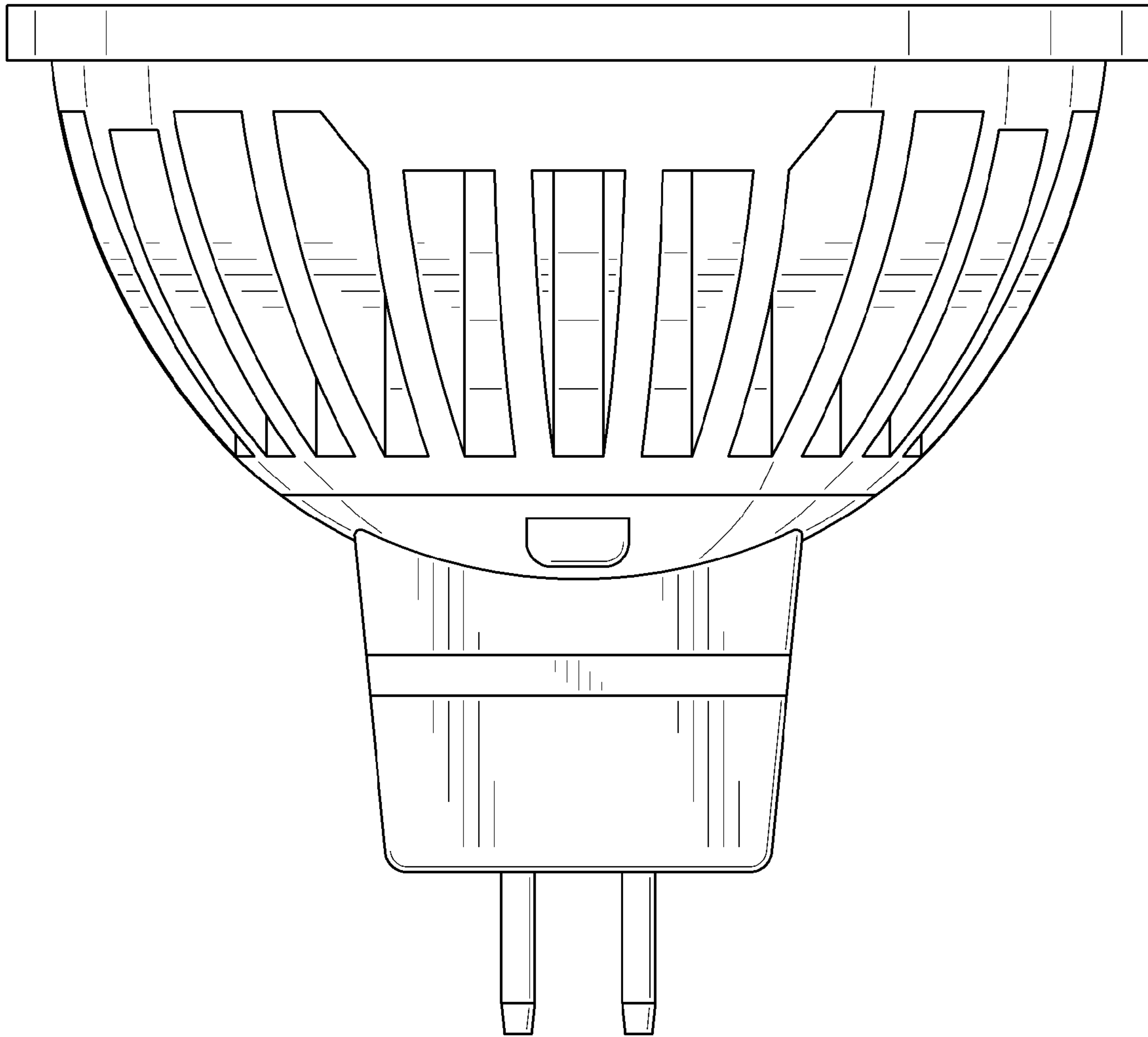


FIG. 2

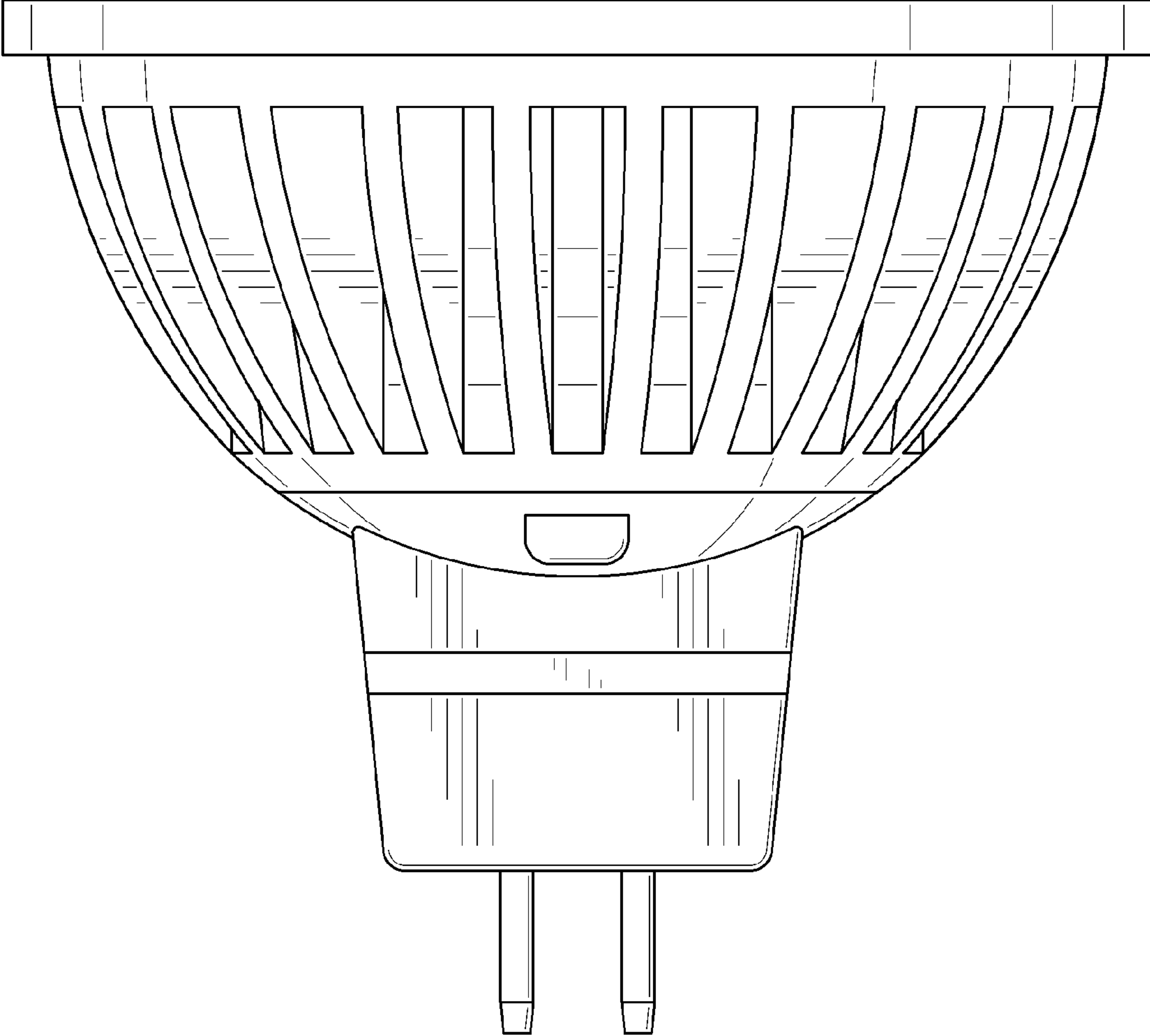


FIG. 3

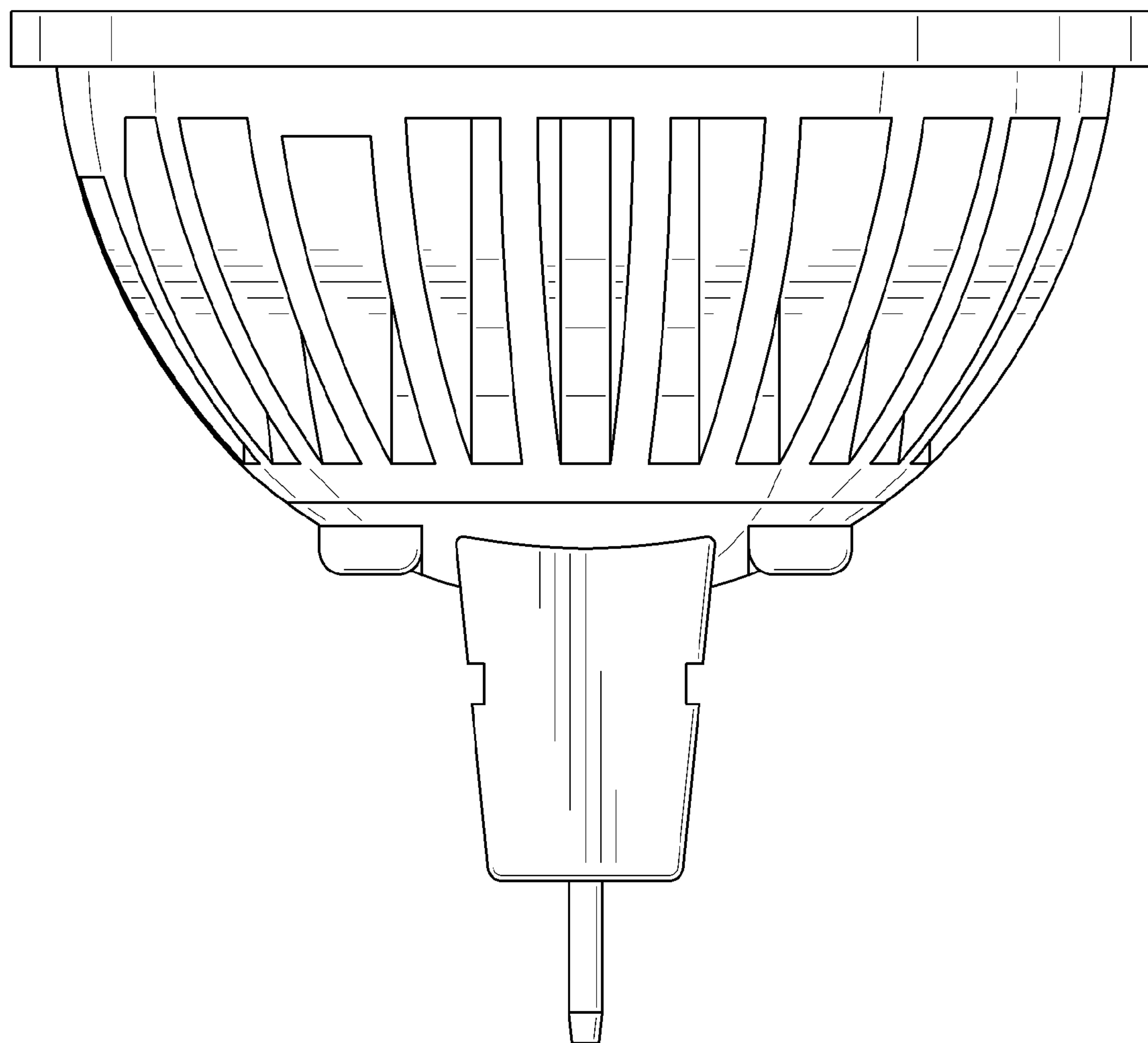


FIG. 4

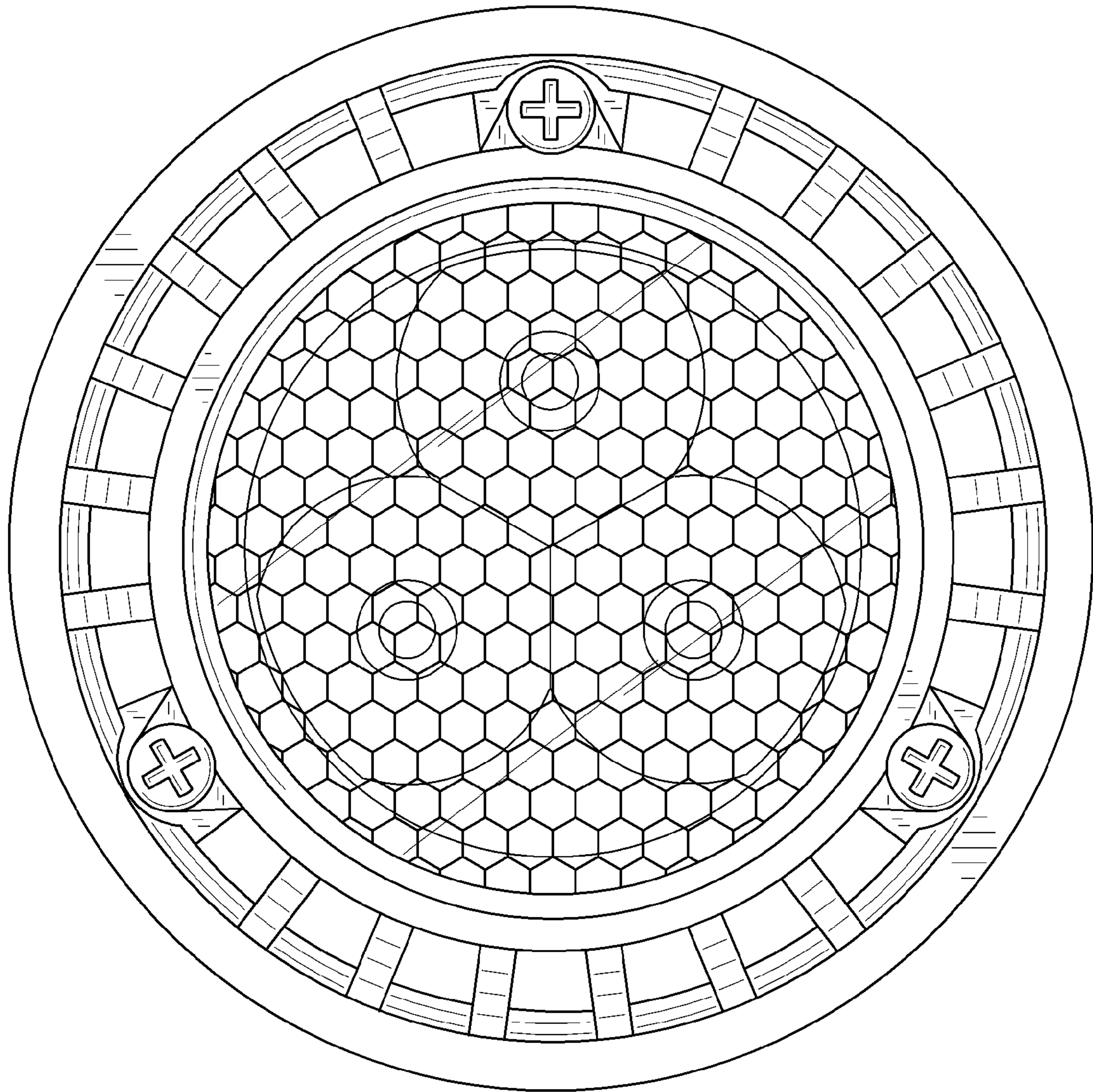


FIG. 5

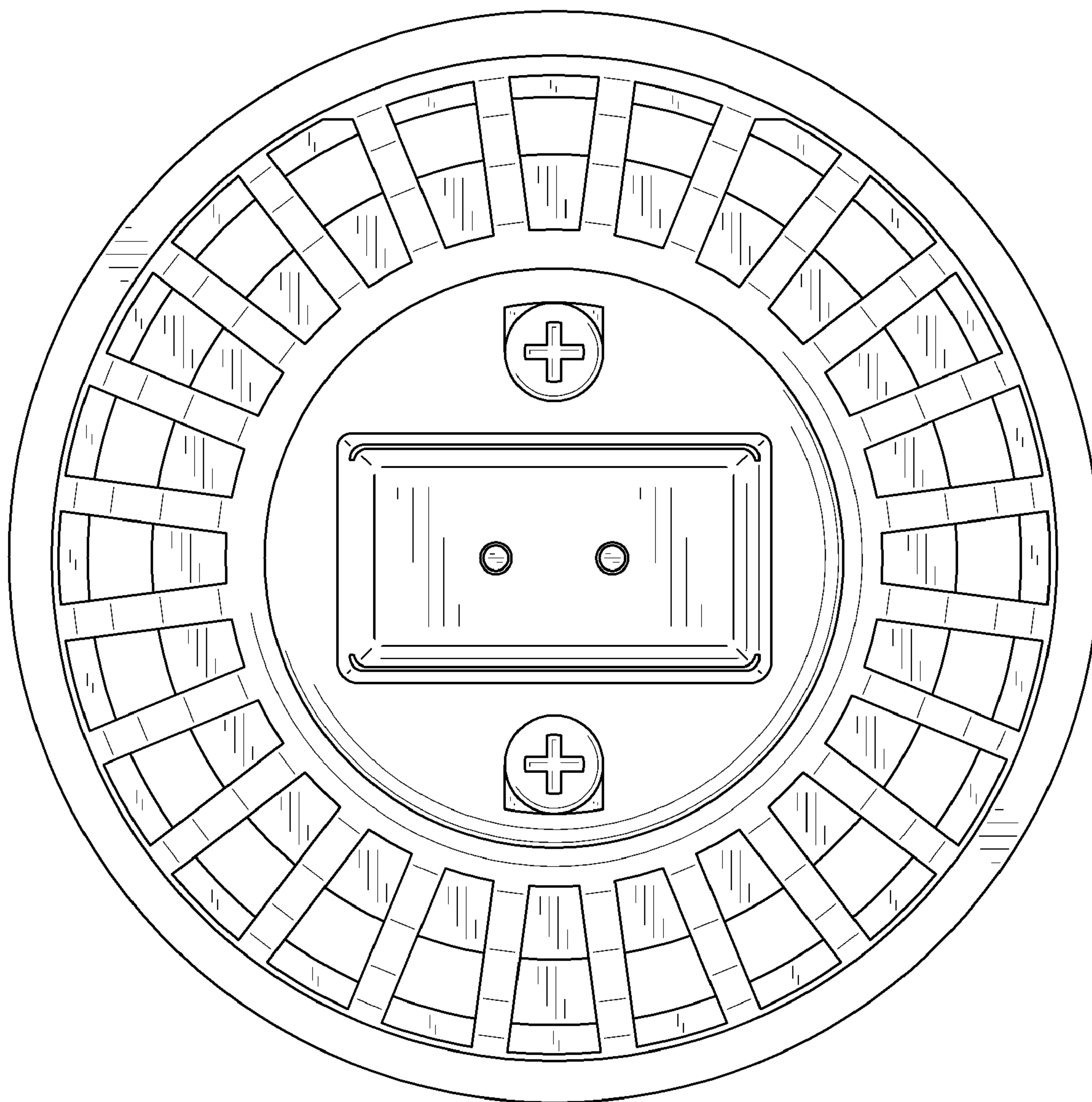


FIG. 6