



US00D631575S

(12) **United States Design Patent**  
**Yoshinobu et al.**

(10) **Patent No.:** **US D631,575 S**  
(45) **Date of Patent:** **\*\* Jan. 25, 2011**

- (54) **LIGHT EMITTING DIODE LAMP**
- (75) Inventors: **Masayuki Yoshinobu**, Kanagawa (JP);  
**Aiko Hiraga**, Kanagawa (JP);  
**Jiann-Hung Lee**, Taipei (TW)
- (73) Assignees: **Toshiba Lighting & Technology Corporation**, Kanagawa (JP);  
**Kabushiki Kaisha Toshiba**, Tokyo (JP)

D581,555 S \* 11/2008 To et al. .... D26/2  
 D593,222 S \* 5/2009 To et al. .... D26/2  
 D594,997 S \* 6/2009 Zhu et al. .... D26/2

**FOREIGN PATENT DOCUMENTS**

EM D001059042-0001 1/2009  
 JP D1376370 12/2009

\* cited by examiner

*Primary Examiner*—Marcus A Jackson  
 (74) *Attorney, Agent, or Firm*—J.C. Patents

- (\*\*) Term: **14 Years**
- (21) Appl. No.: **29/363,862**
- (22) Filed: **Jun. 15, 2010**

(57) **CLAIM**

The ornamental design for a light emitting diode lamp, as shown and described.

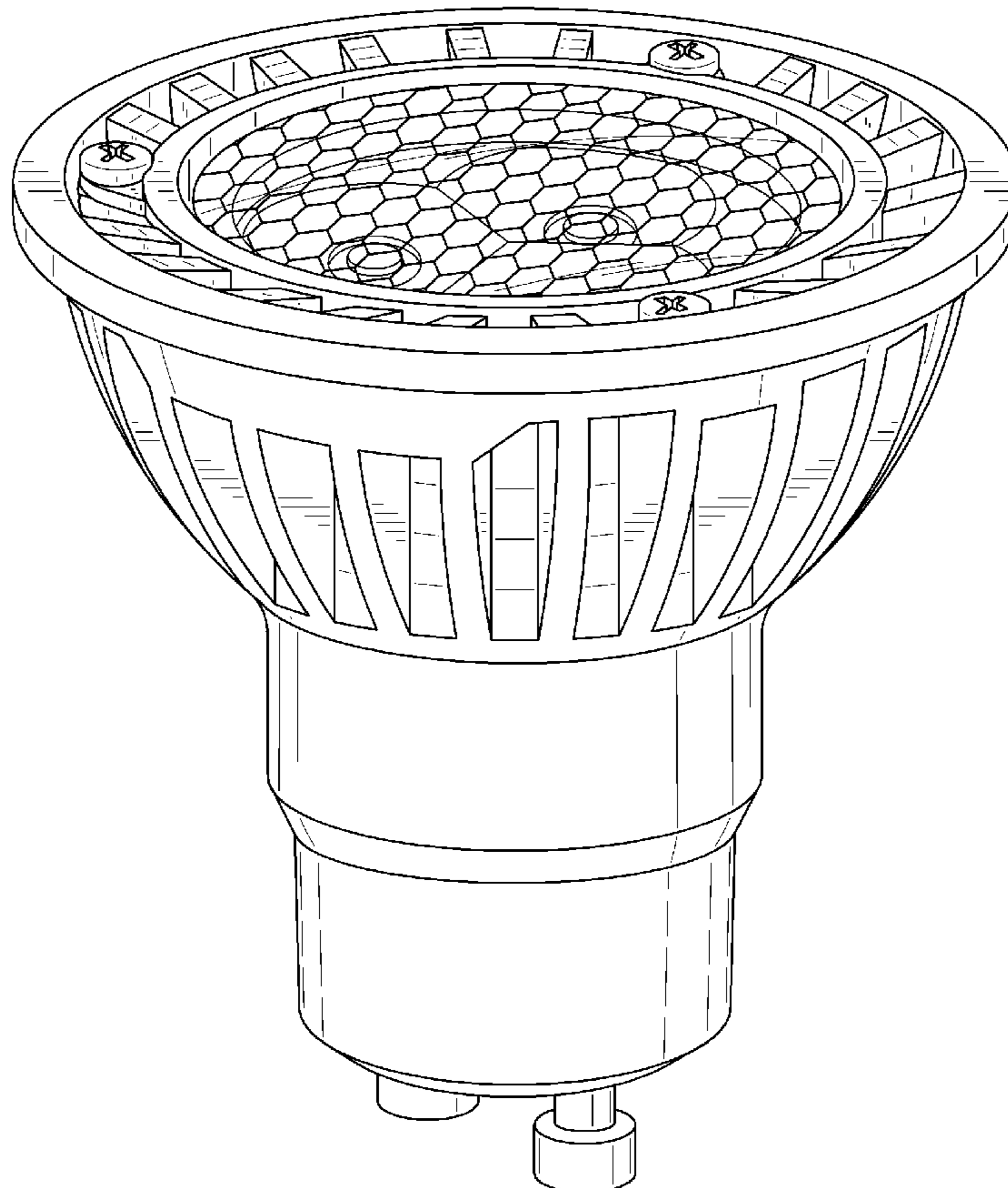
- (30) **Foreign Application Priority Data**  
Dec. 24, 2009 (JP) ..... 2009-029963
- (51) **LOC (9) Cl.** ..... **26-04**
- (52) **U.S. Cl.** ..... **D26/2**
- (58) **Field of Classification Search** ..... D26/1-4;  
313/313, 315, 316, 317, 318, 493; 315/52,  
315/53, 56, 57, 58  
See application file for complete search history.

**DESCRIPTION**

FIG. 1 is a perspective view of a light emitting diode lamp showing our new design;  
 FIG. 2 is a front view thereof;  
 FIG. 3 is a rear view thereof;  
 FIG. 4 is a right side view thereof, the left side view being a mirror image of the right side view;  
 FIG. 5 is a top view thereof; and,  
 FIG. 6 is a bottom view thereof.

- (56) **References Cited**  
U.S. PATENT DOCUMENTS  
D545,456 S \* 6/2007 Foo ..... D26/2

**1 Claim, 6 Drawing Sheets**



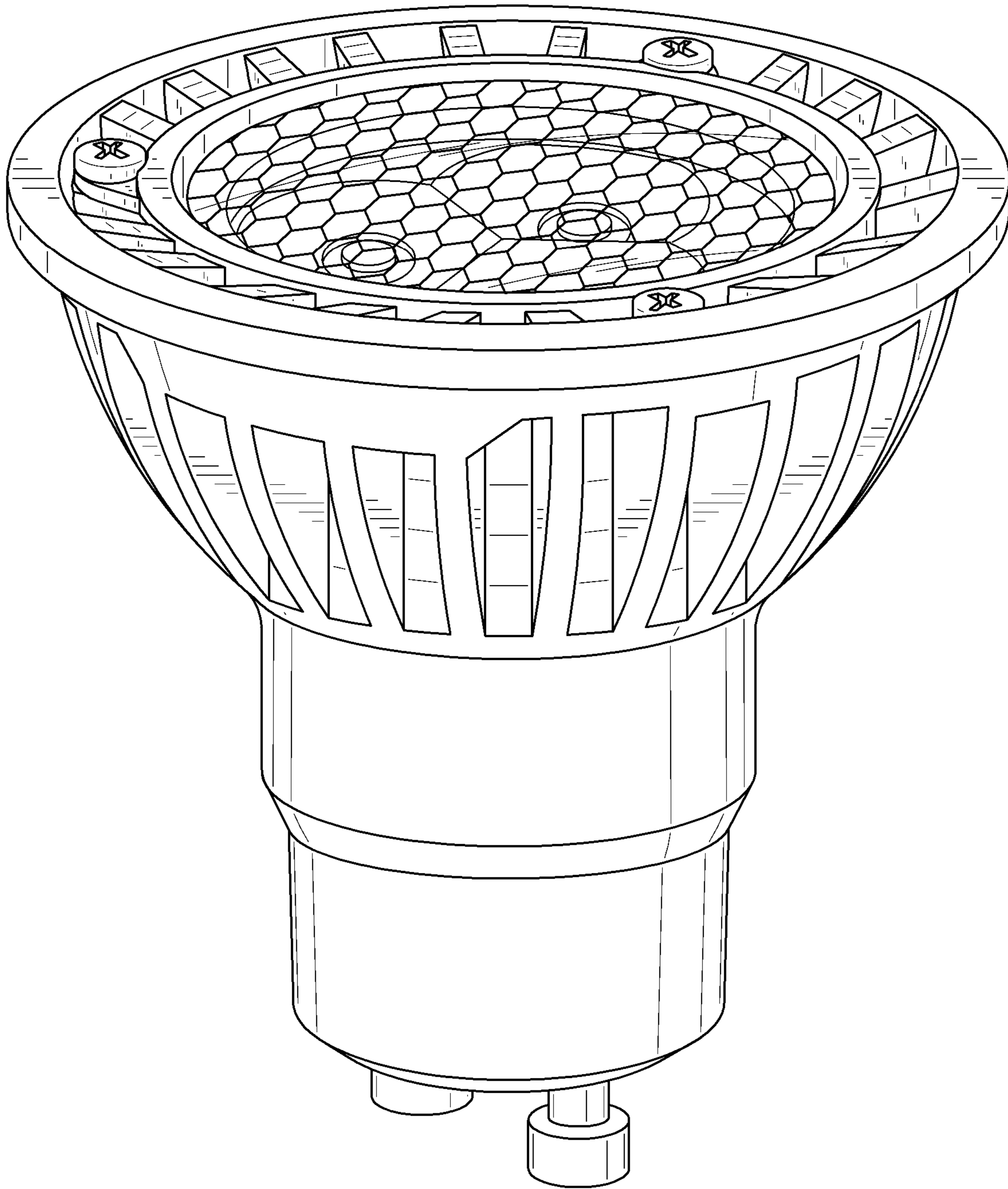


FIG. 1

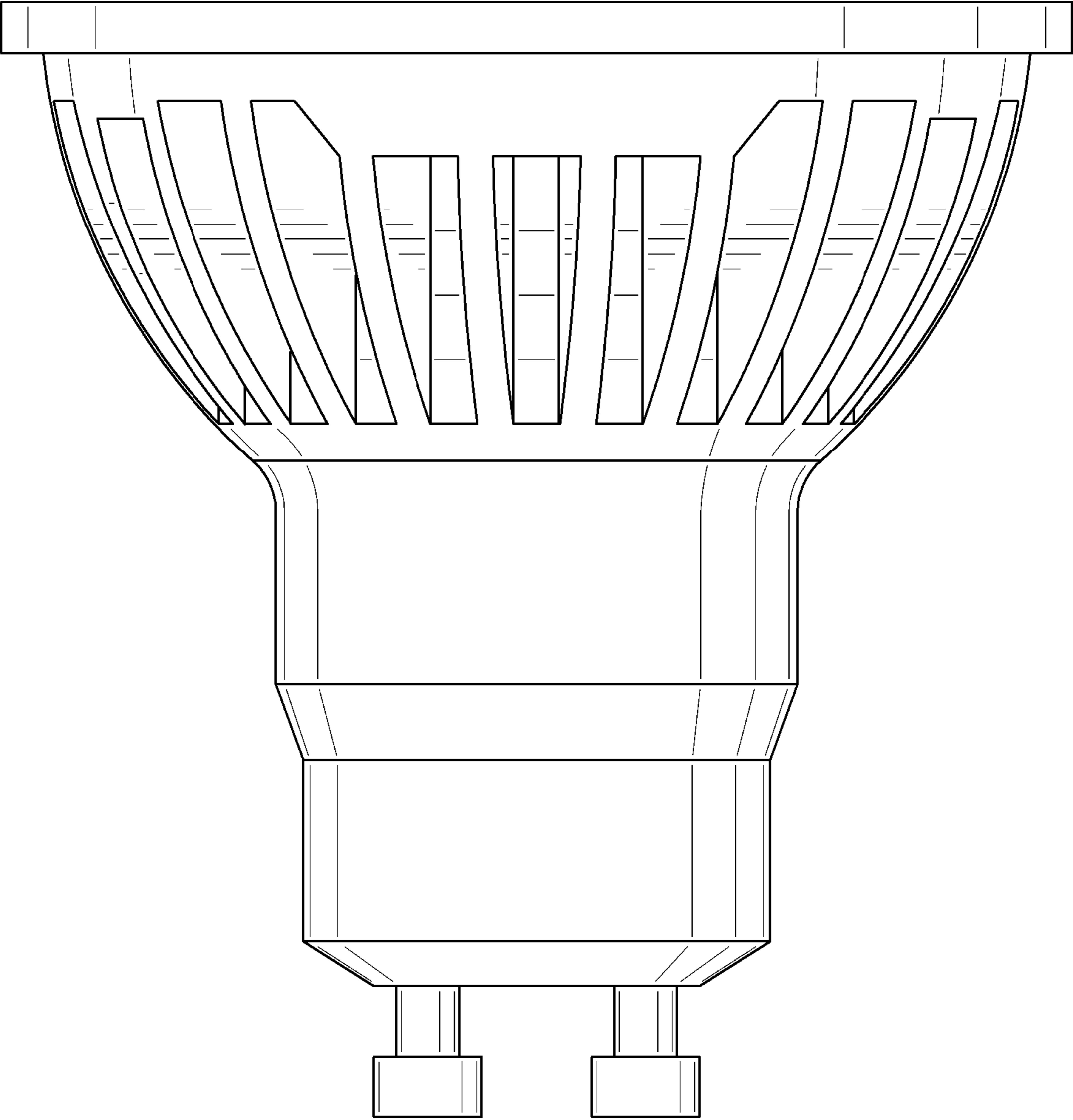


FIG. 2

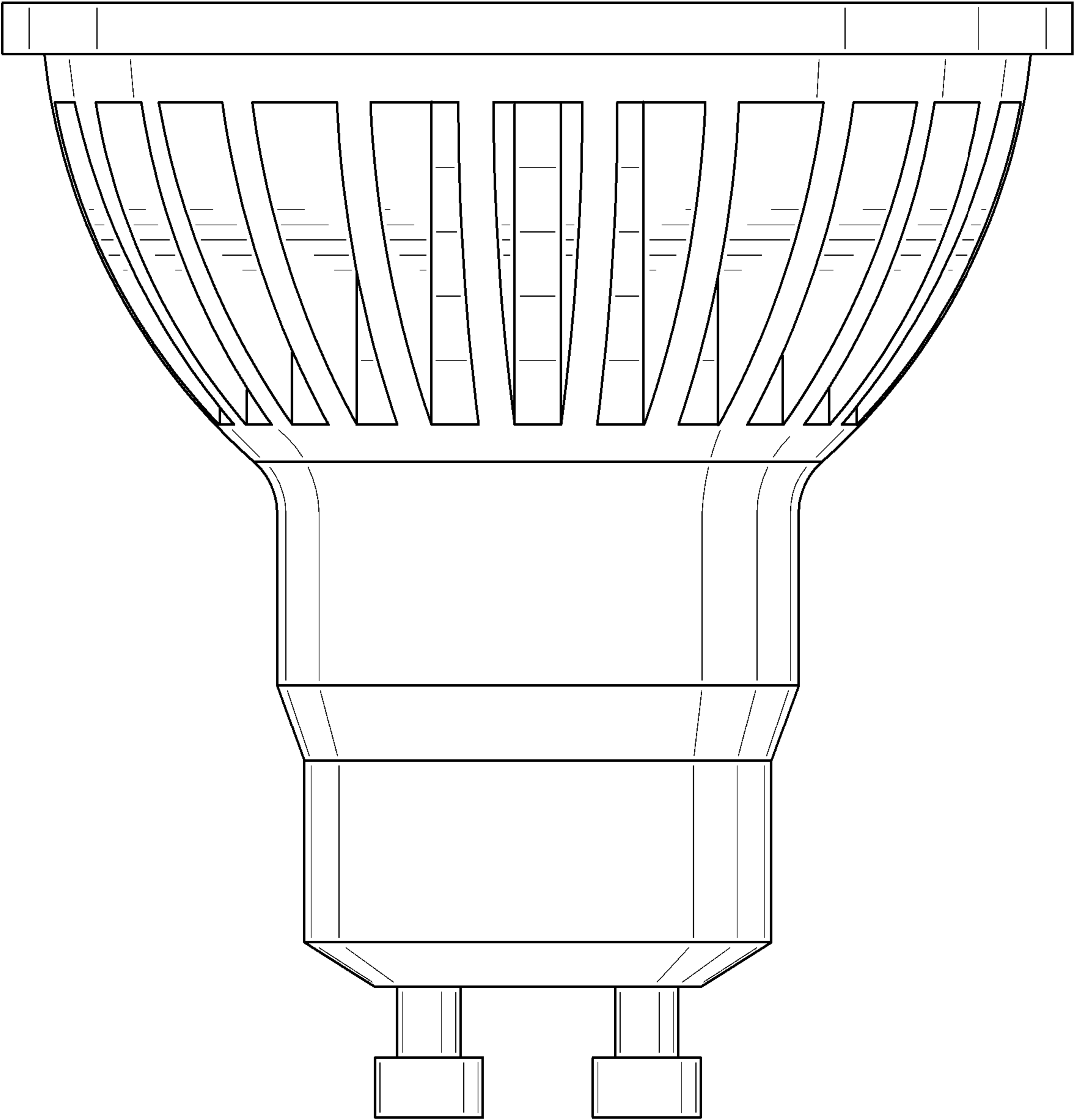


FIG. 3

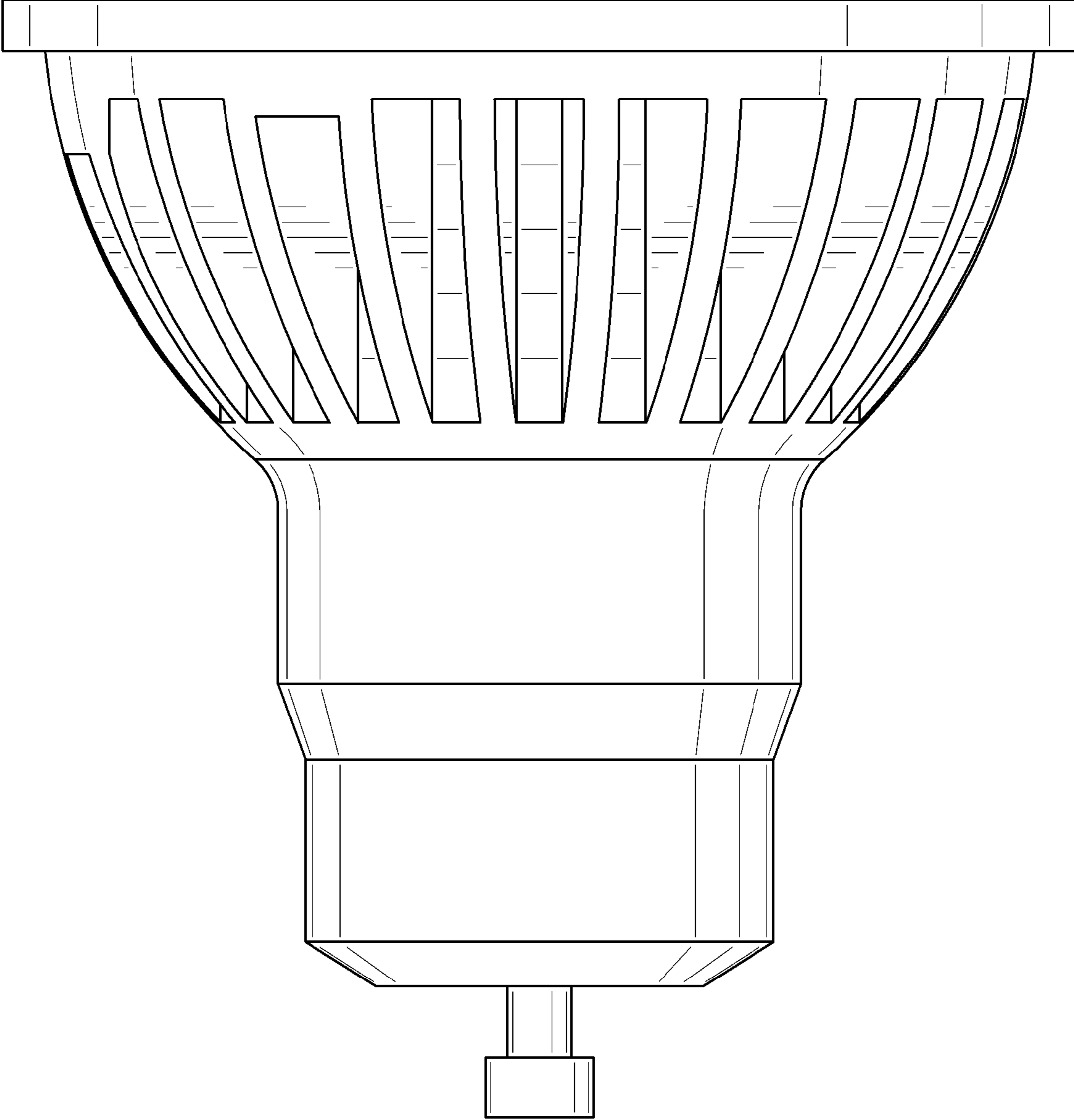


FIG. 4

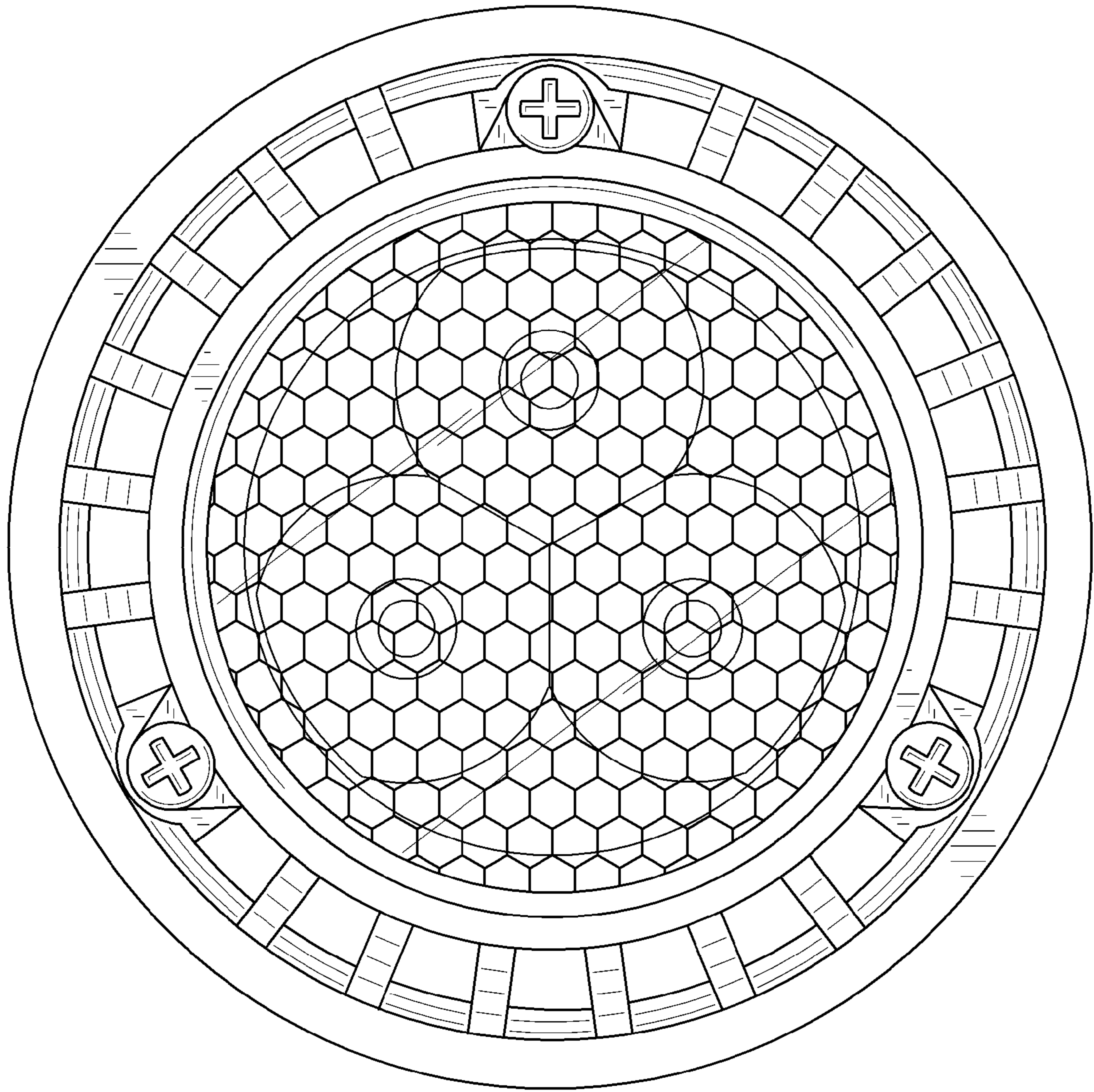


FIG. 5

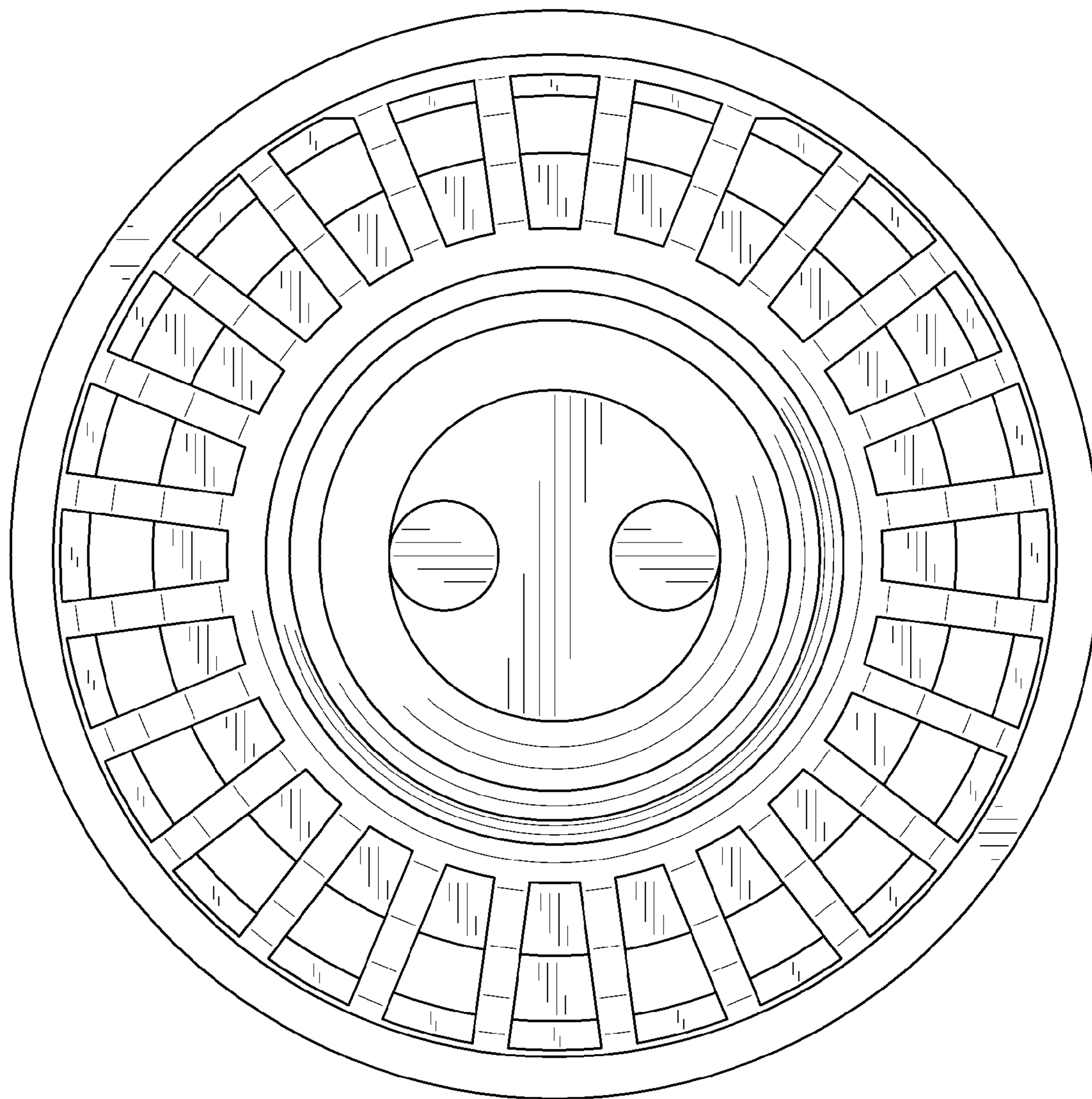


FIG. 6