



US00D631574S

(12) **United States Design Patent**
Yoshinobu et al.

(10) **Patent No.:** **US D631,574 S**
(45) **Date of Patent:** **** Jan. 25, 2011**

(54) **LIGHT EMITTING DIODE LAMP**
(75) Inventors: **Masayuki Yoshinobu**, Kanagawa (JP);
Aiko Hiraga, Kanagawa (JP);
Jiann-Hung Lee, Taipei (TW)

D601,279 S * 9/2009 Ou et al. D26/2
D607,586 S * 1/2010 Ko D26/2
D610,271 S 2/2010 Bi
D610,722 S * 2/2010 Bi D26/2

(73) Assignees: **Toshiba Lighting & Technology Corporation**, Kanagawa (JP);
Kabushiki Kaisha Toshiba, Tokyo (JP)

FOREIGN PATENT DOCUMENTS
EP 001051999-0001 12/2008
EP 001051999-0002 12/2008

(**) Term: **14 Years**

* cited by examiner

Primary Examiner—Marcus A Jackson
(74) *Attorney, Agent, or Firm*—J.C. Patents

(21) Appl. No.: **29/363,452**

(57) **CLAIM**

(22) Filed: **Jun. 9, 2010**

The ornamental design for a light emitting diode lamp, as shown.

(30) **Foreign Application Priority Data**

Dec. 24, 2009 (JP) 2009-029966

DESCRIPTION

(51) **LOC (9) Cl.** **26-04**
(52) **U.S. Cl.** **D26/2**
(58) **Field of Classification Search** D26/1-4;
313/313, 315, 316, 317, 318, 493; 315/52,
315/53, 56, 57, 58

FIG. 1 is a perspective view of a light emitting diode lamp showing our new design.
FIG. 2 is a front view thereof.
FIG. 3 is a rear view thereof.
FIG. 4 is a left side view thereof.
FIG. 5 is a right side view thereof.
FIG. 6 is a top view thereof; and,
FIG. 7 is a bottom view thereof.

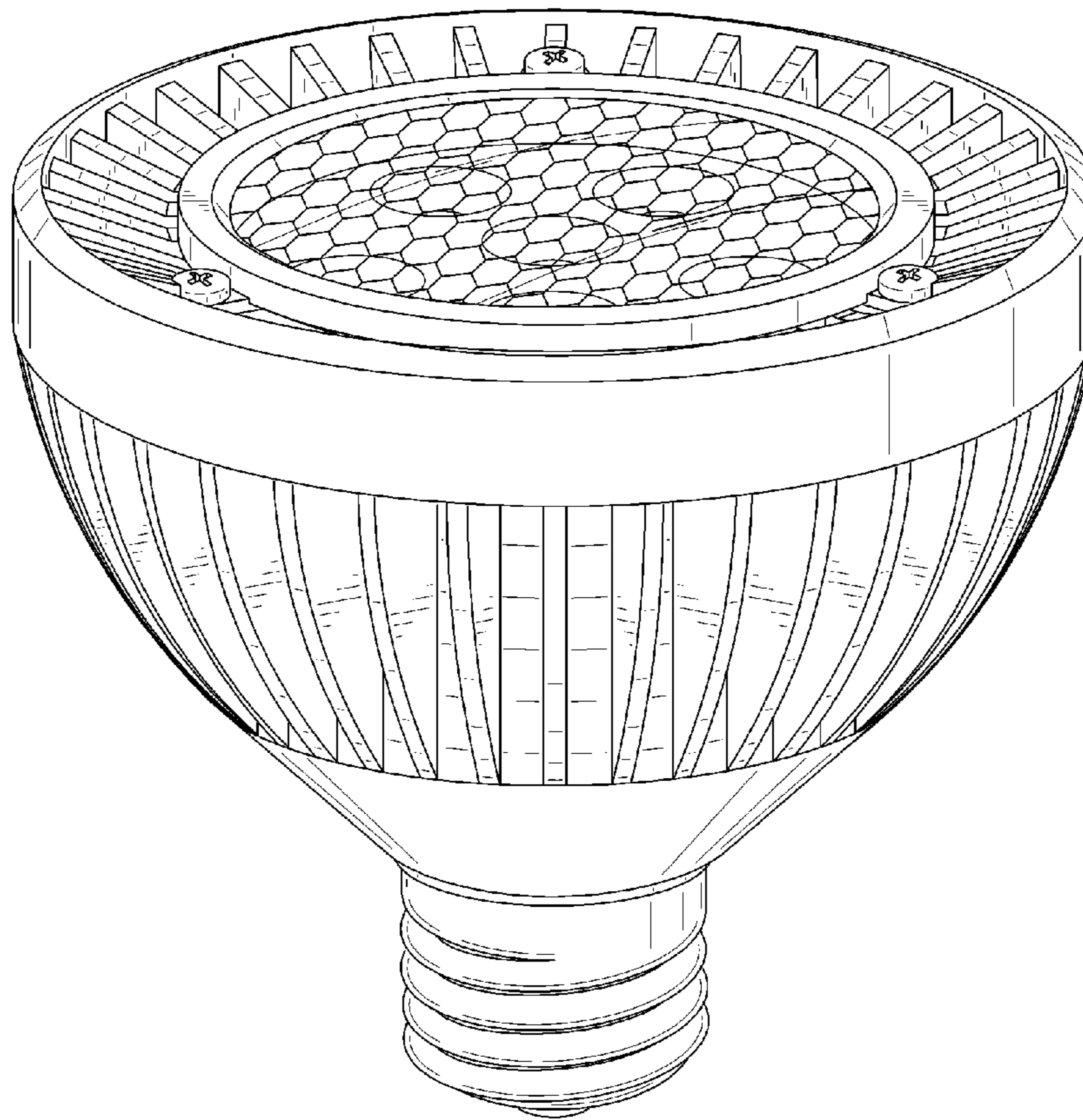
See application file for complete search history.

(56) **References Cited**

U.S. PATENT DOCUMENTS

D582,578 S * 12/2008 Tsai et al. D26/2

1 Claim, 7 Drawing Sheets



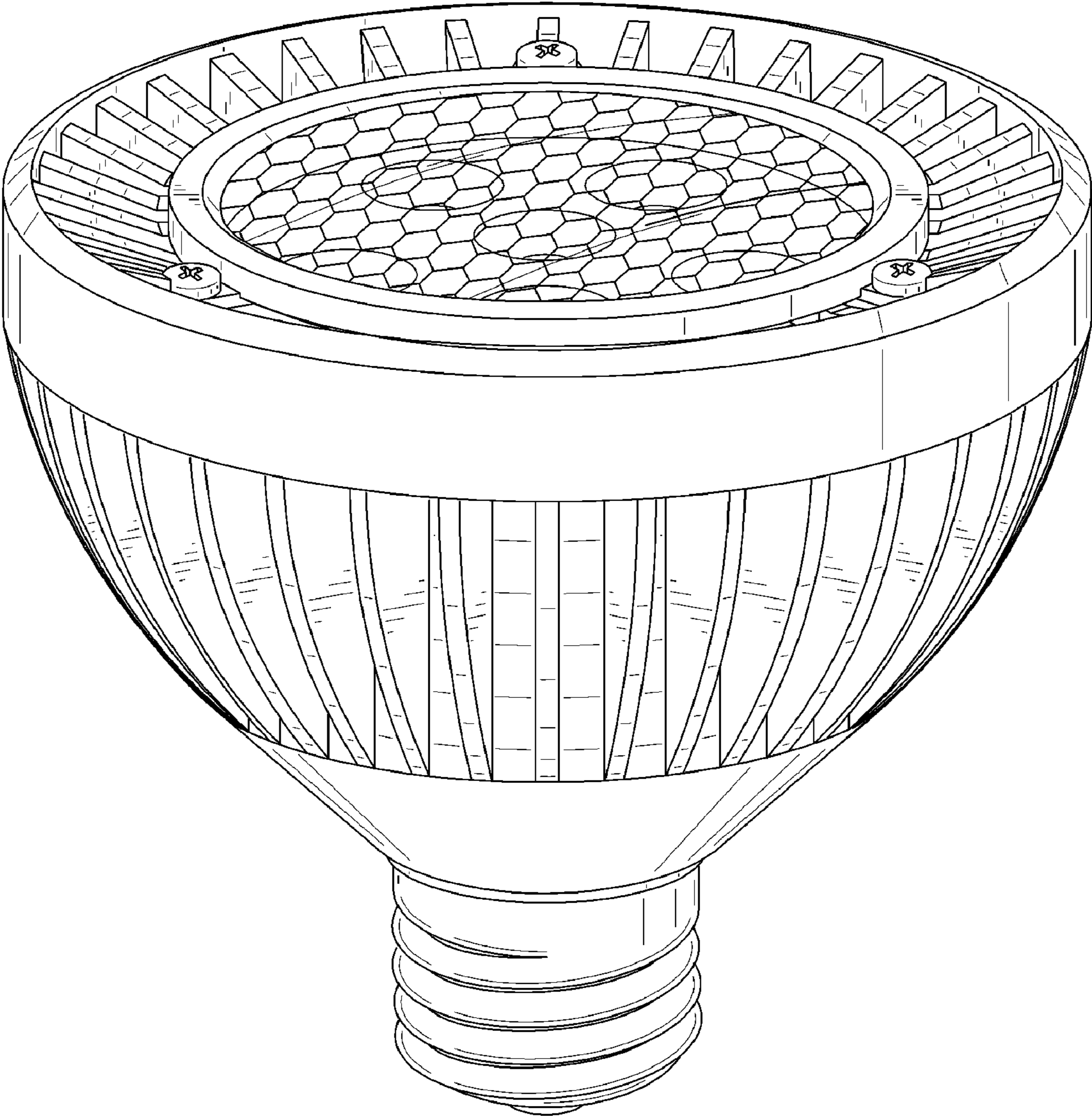


FIG. 1

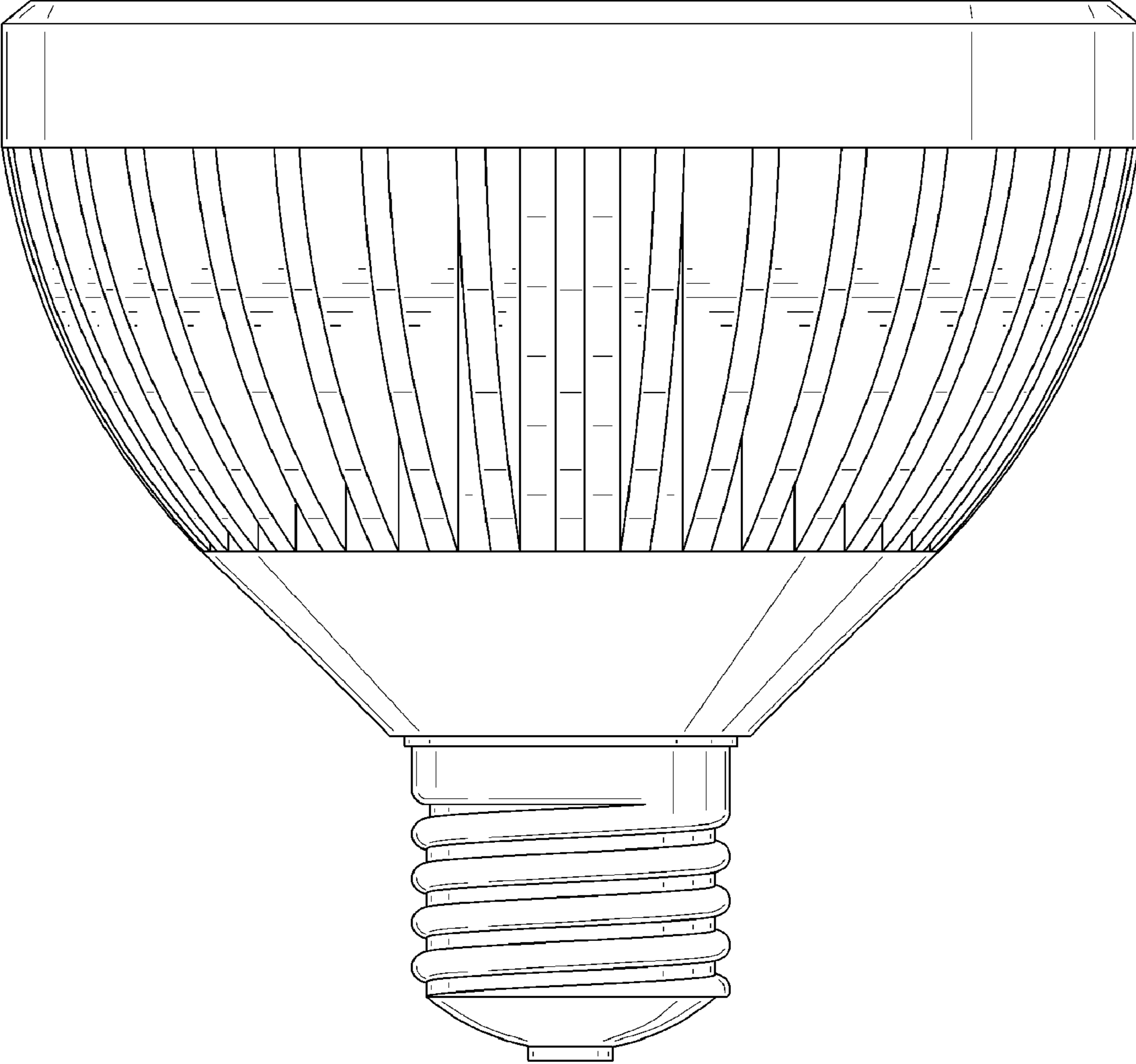


FIG. 2

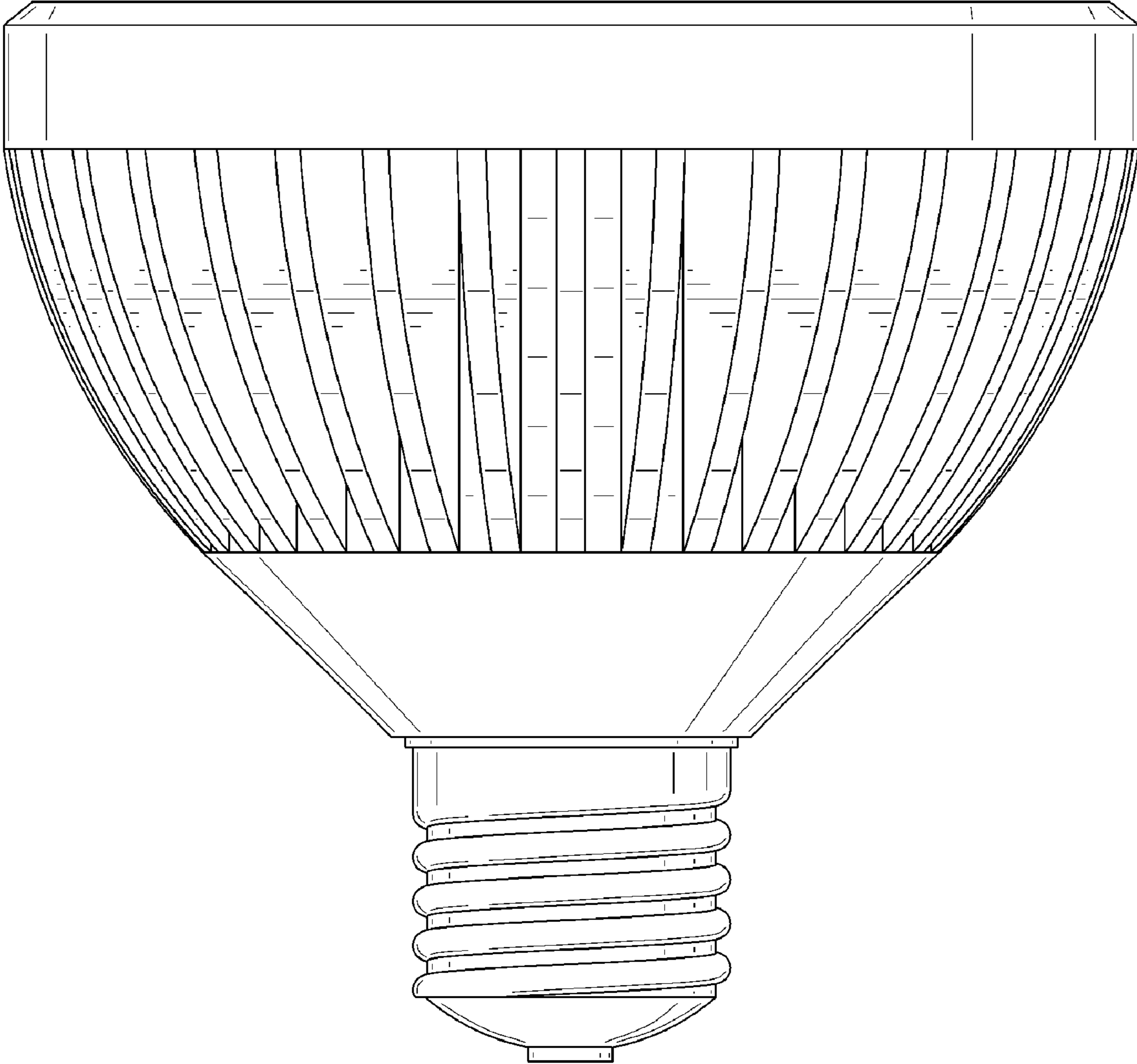


FIG. 3

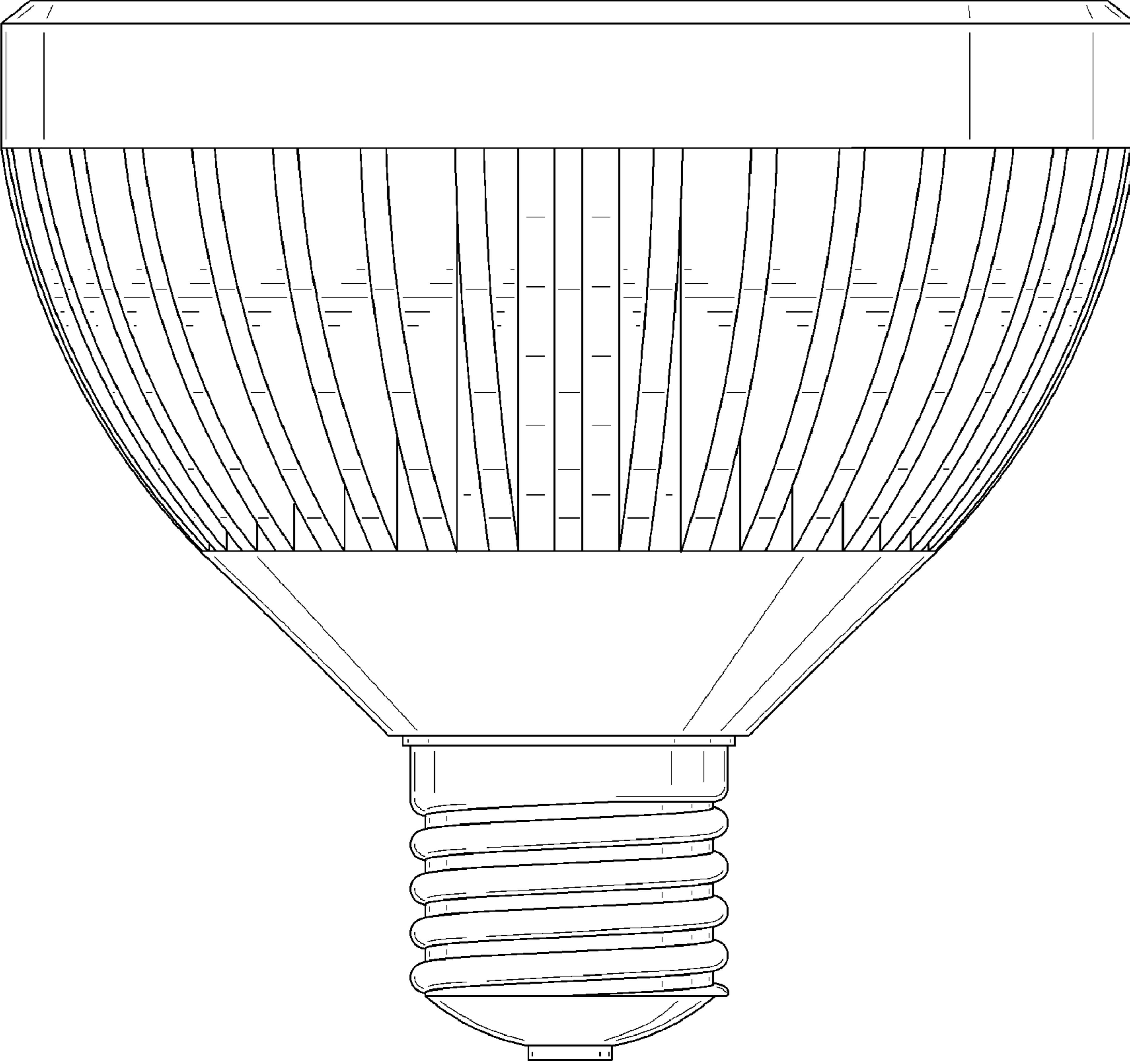


FIG. 4

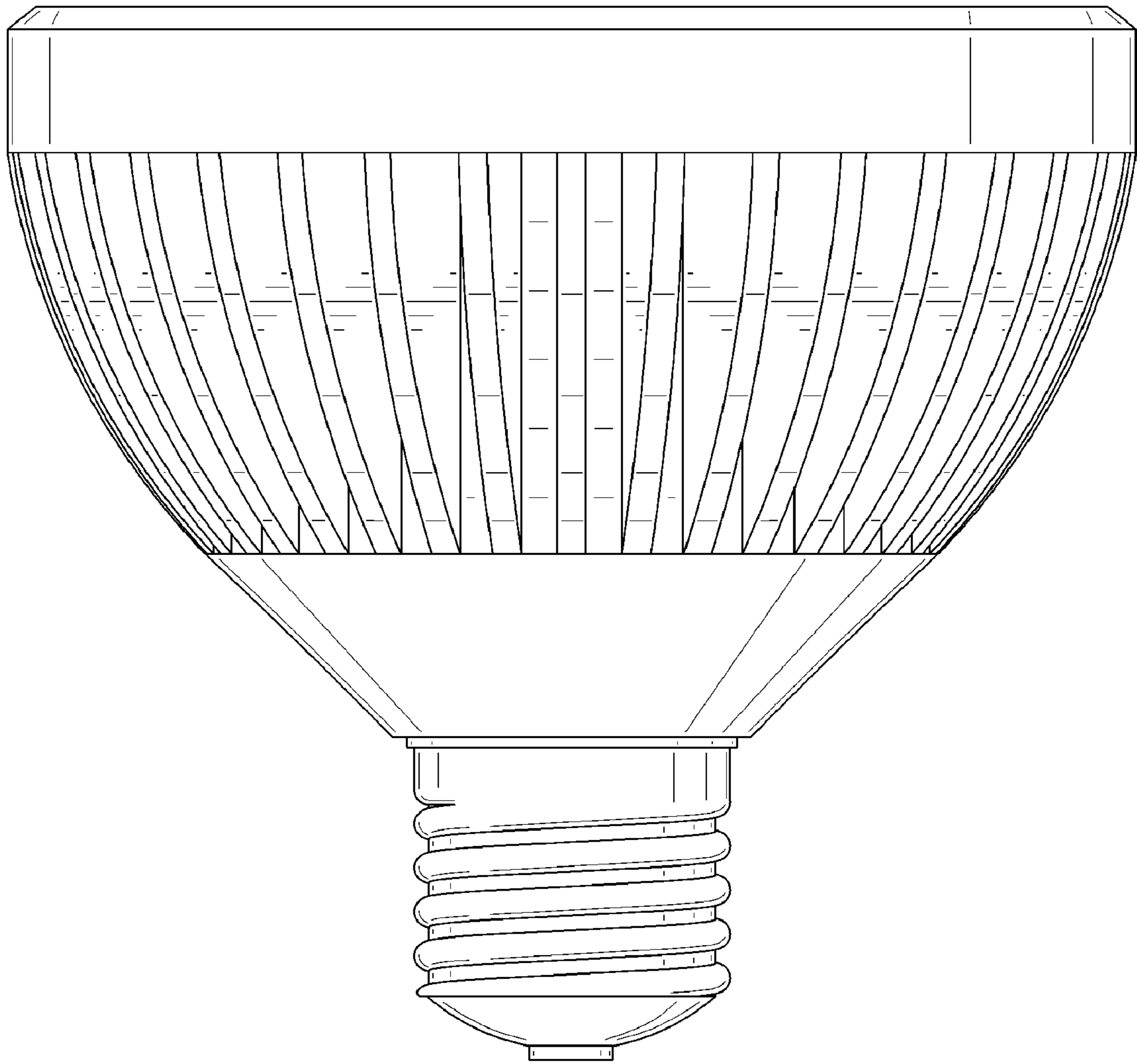


FIG. 5

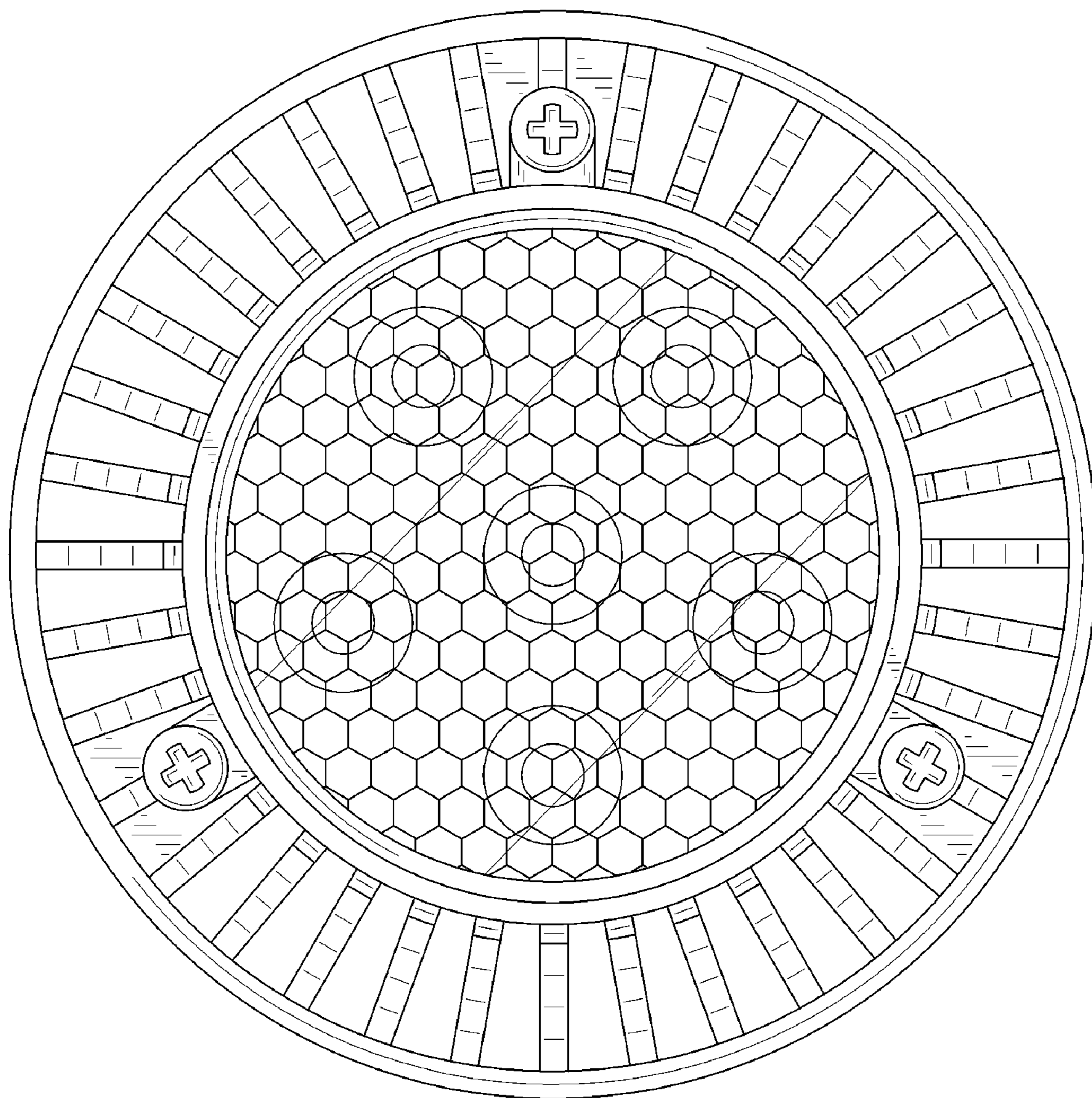


FIG. 6

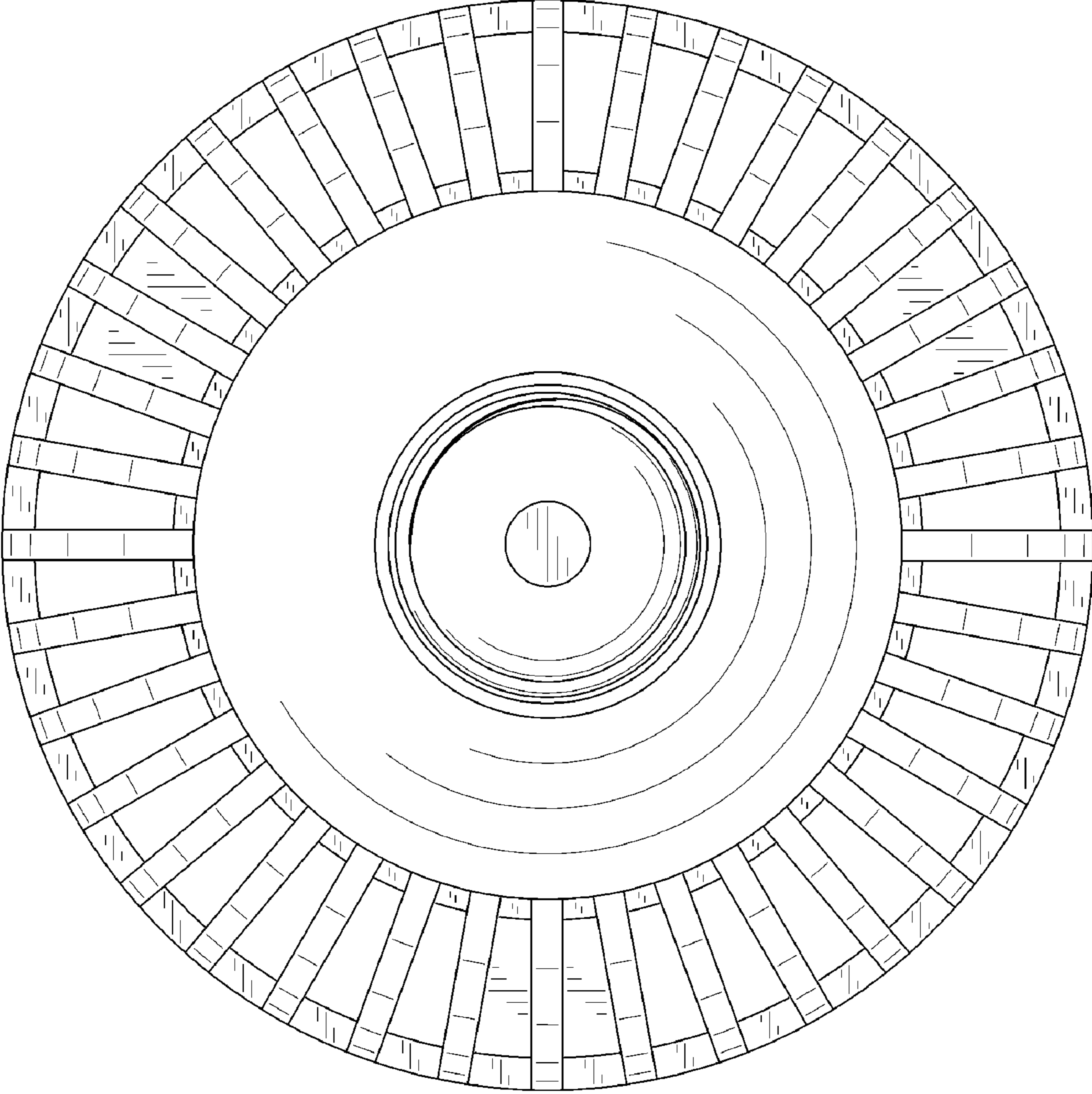


FIG. 7