



US00D631573S

(12) **United States Design Patent**  
**Yamamoto et al.**

(10) **Patent No.:** **US D631,573 S**  
(45) **Date of Patent:** **\*\* Jan. 25, 2011**

- (54) **LIGHT EMITTING DIODE LAMP**
- (75) Inventors: **Junichiro Yamamoto**, Kanagawa (JP);  
**Aiko Hiraga**, Kanagawa (JP); **Shigeru Osawa**, Kanagawa (JP)
- (73) Assignees: **Toshiba Lighting & Technology Corporation**, Kanagawa (JP);  
**Kabushiki Kaisha Toshiba**, Tokyo (JP)

D614,322 S \* 4/2010 Yang ..... D26/2  
 D621,969 S \* 8/2010 Yamamoto et al. .... D26/2  
 D621,971 S \* 8/2010 Yamamoto et al. .... D26/2

**FOREIGN PATENT DOCUMENTS**

EM 000444591-0010 7/2006  
 JP 1372208 10/2009  
 JP 1372213 10/2009

\* cited by examiner

*Primary Examiner*—Marcus A Jackson  
 (74) *Attorney, Agent, or Firm*—J.C. Patents

- (\*\*) Term: **14 Years**
- (21) Appl. No.: **29/361,683**
- (22) Filed: **May 13, 2010**

- (30) **Foreign Application Priority Data**  
 Nov. 18, 2009 (JP) ..... 2009-026983
- (51) **LOC (9) Cl.** ..... **26-04**
- (52) **U.S. Cl.** ..... **D26/2**
- (58) **Field of Classification Search** ..... D26/1-4;  
 313/313, 315, 316, 317, 318, 493; 315/52,  
 315/53, 56, 57, 58  
 See application file for complete search history.

- (56) **References Cited**  
**U.S. PATENT DOCUMENTS**

D547,886 S \* 7/2007 Foo et al. .... D26/2  
 D614,321 S \* 4/2010 Yang ..... D26/2

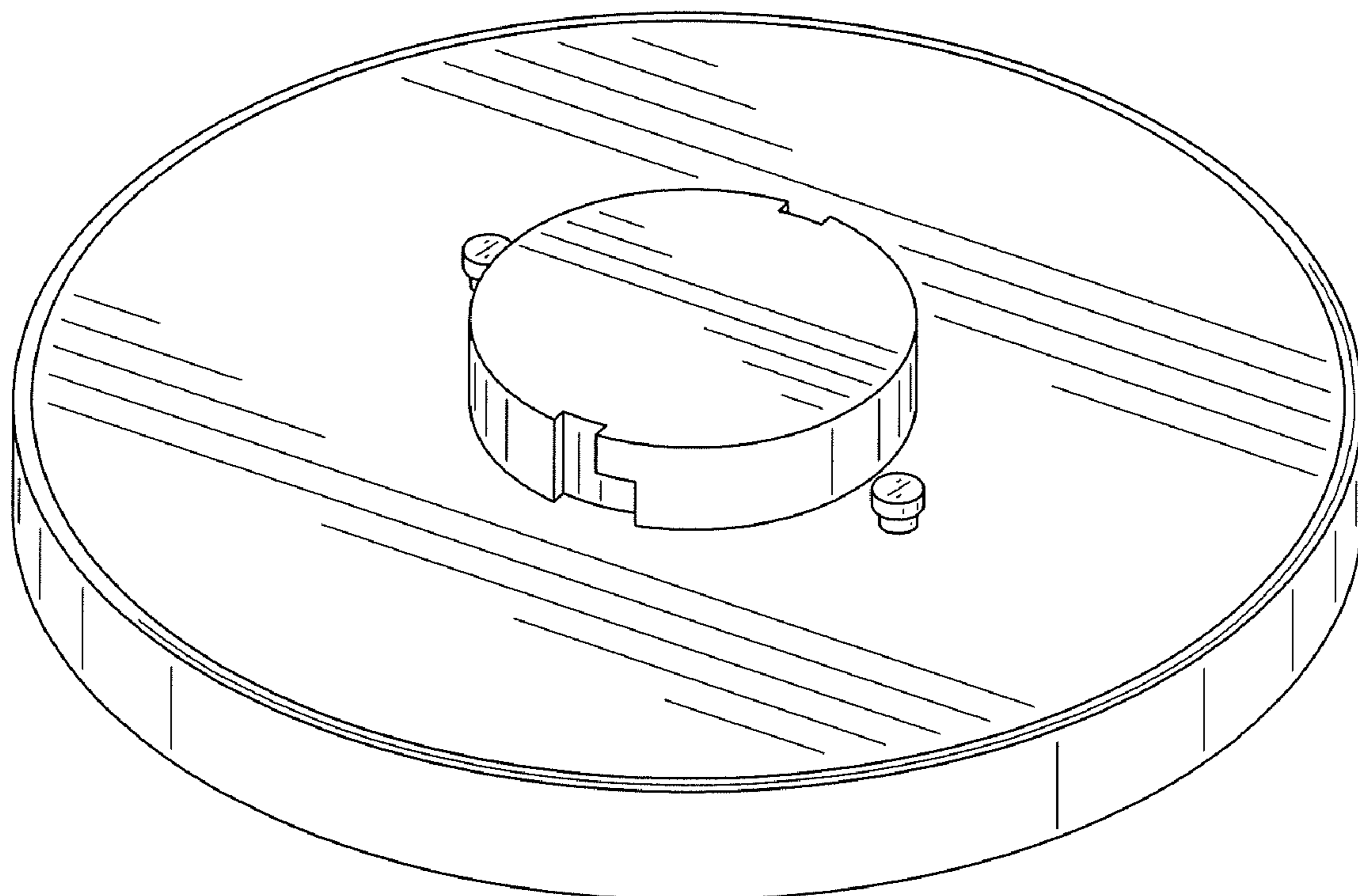
(57) **CLAIM**

The ornamental design for a light emitting diode lamp, as shown and described.

**DESCRIPTION**

FIG. 1 is a top perspective view of a light emitting diode lamp showing our new design;  
 FIG. 2 is a bottom perspective view thereof;  
 FIG. 3 is a front view thereof, the rear view being identical to the front view;  
 FIG. 4 is a right side view thereof, the left side view being identical to the right side view;  
 FIG. 5 is a top view thereof; and,  
 FIG. 6 is a bottom view thereof.

**1 Claim, 5 Drawing Sheets**



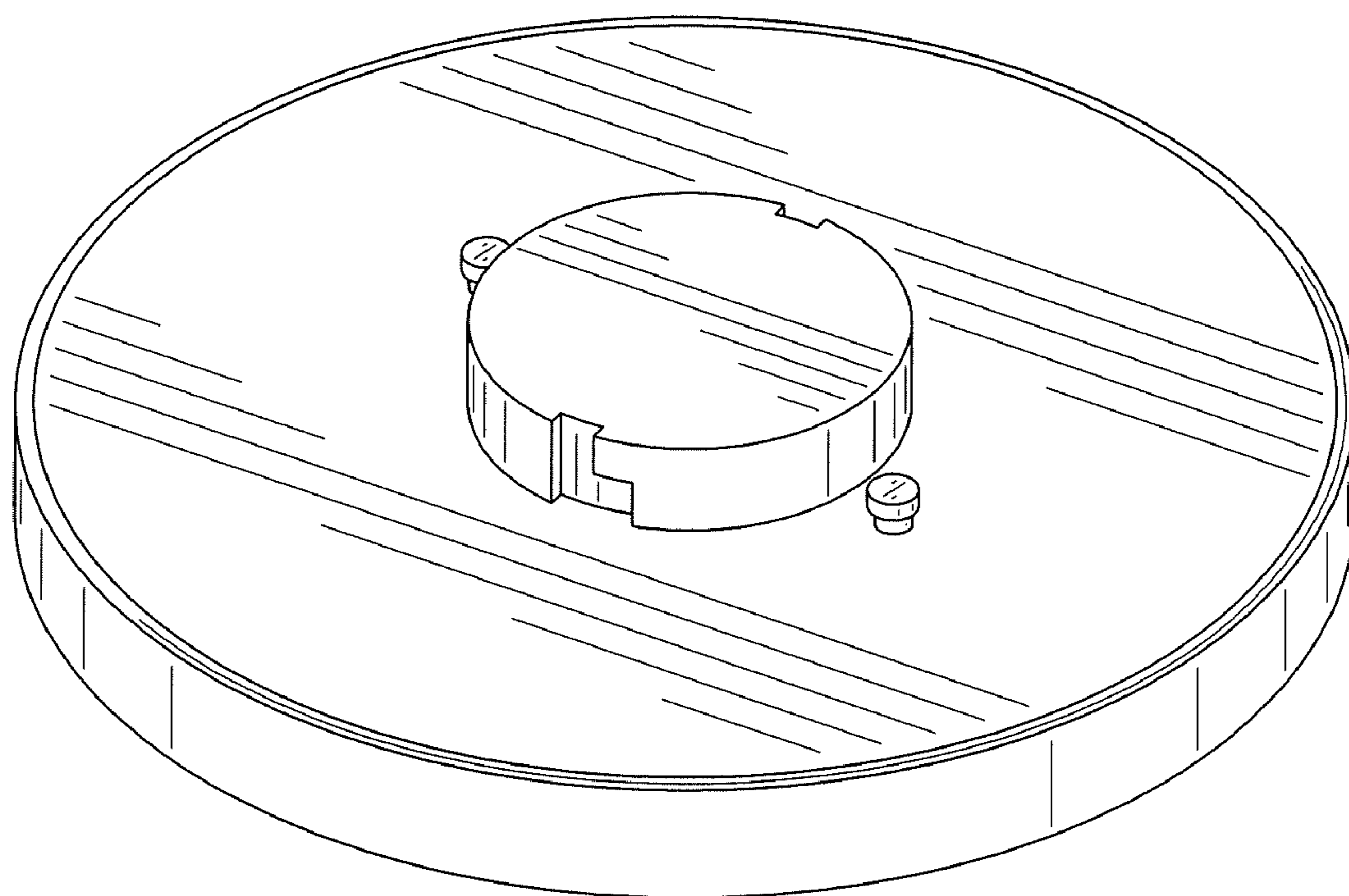


FIG. 1

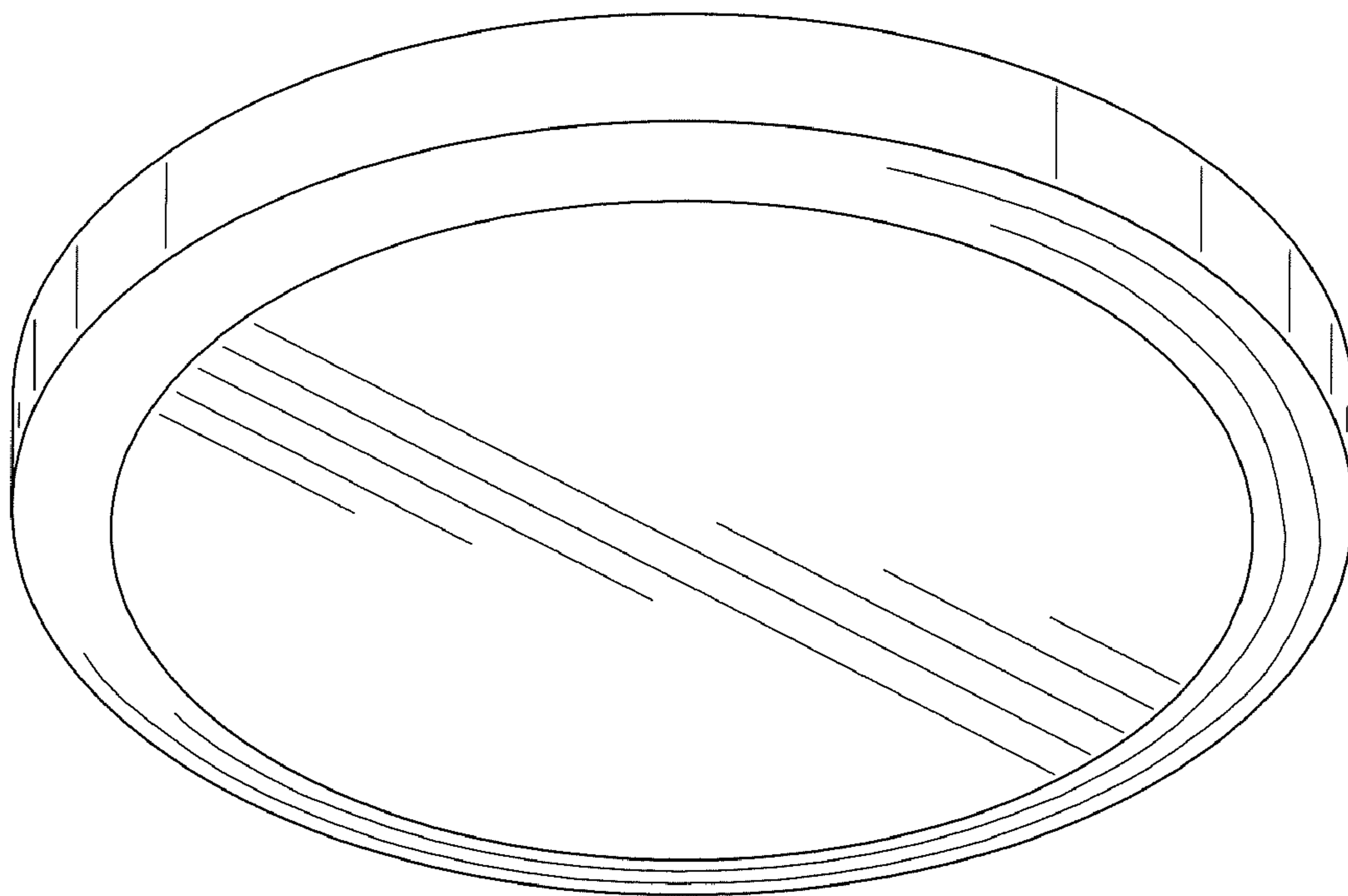


FIG. 2

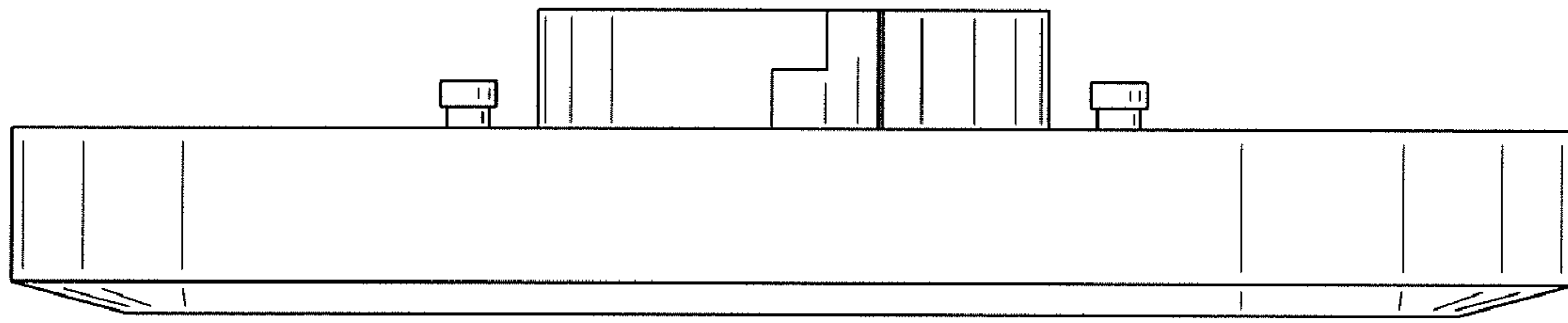


FIG. 3

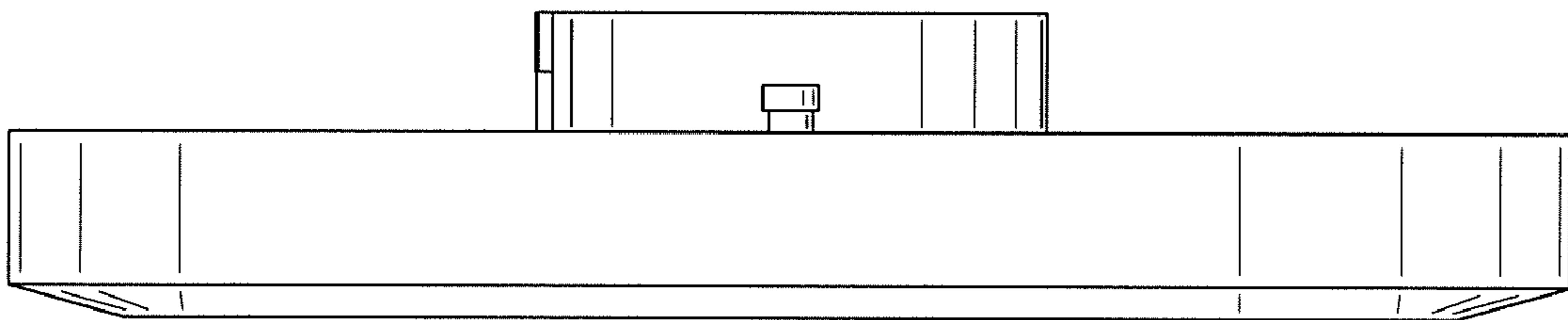


FIG. 4

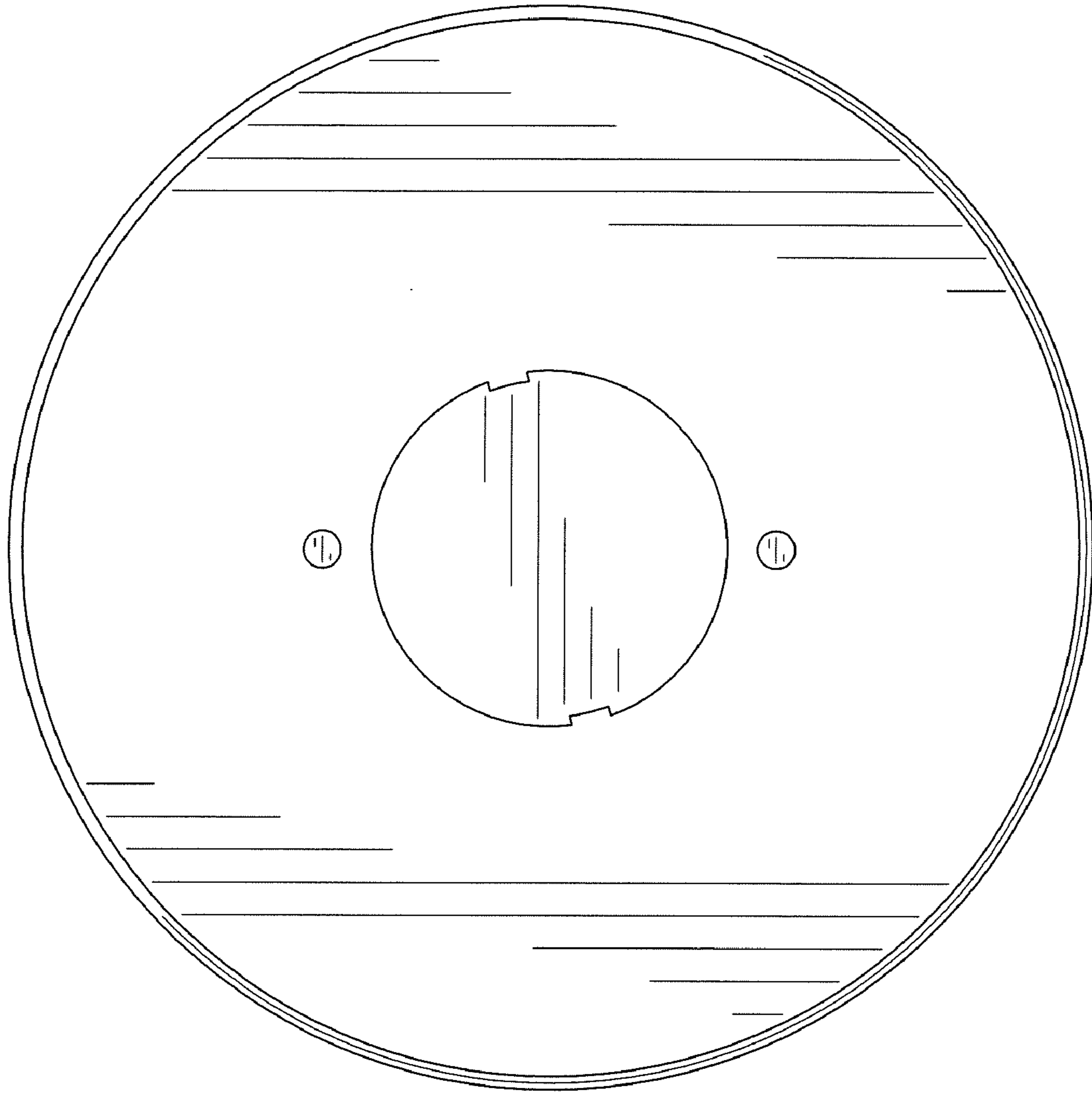


FIG. 5

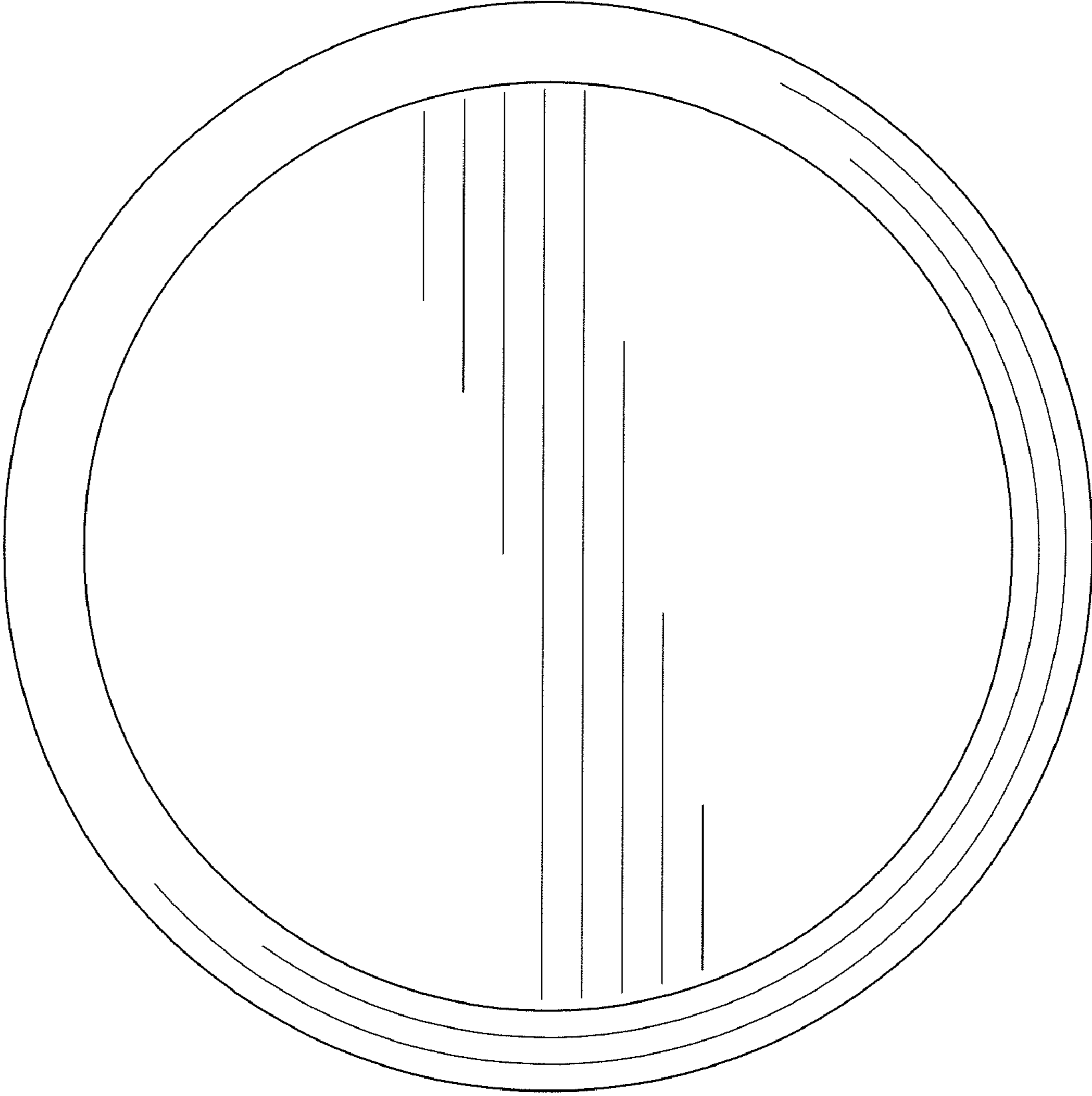


FIG. 6